



US00D514708S

(12) **United States Design Patent**  
**Sullivan**

(10) **Patent No.:** **US D514,708 S**  
(45) **Date of Patent:** **\*\* Feb. 7, 2006**

- (54) **FIBERGLASS POOL**
- (75) Inventor: **Todd Sullivan**, Eloy, AZ (US)
- (73) Assignee: **San Juan Patents, Inc.**, Lakeland, FL (US)
- (\*\*) Term: **14 Years**
- (21) Appl. No.: **29/213,590**
- (22) Filed: **Sep. 20, 2004**
- (51) **LOC (8) Cl.** ..... **25-03**
- (52) **U.S. Cl.** ..... **D25/2**
- (58) **Field of Classification Search** ..... D25/2;  
4/488, 506, 513  
See application file for complete search history.

D408,550 S	4/1999	Sullivan	
D408,551 S	4/1999	Sullivan	
D408,927 S	4/1999	Sullivan	
D408,928 S	4/1999	Sullivan	
D417,286 S	11/1999	Sullivan	
D430,305 S	8/2000	Sullivan	
D446,313 S	8/2001	Sullivan	
D455,838 S	* 4/2002	Erdelac	..... D25/2
D460,194 S	7/2002	Sullivan	
D460,195 S	7/2002	Sullivan	
D471,282 S	3/2003	Sullivan	
D471,283 S	3/2003	Sullivan	

(56) **References Cited**  
U.S. PATENT DOCUMENTS

D179,930 S	3/1957	Culver	
3,428,969 A	2/1969	Diemond et al.	
3,511,002 A	5/1970	Fox	
3,530,512 A	9/1970	McBride	
D251,201 S	2/1979	Mathis	
D266,699 S	* 10/1982	Topete	..... D24/204
D275,608 S	9/1984	Sullivan	
D275,609 S	9/1984	Monten	
D277,135 S	1/1985	Sullivan	
D278,932 S	5/1985	Sullivan	
D278,933 S	5/1985	Sullivan	
4,566,141 A	1/1986	Mahoney	
D285,350 S	8/1986	Sullivan	
D347,697 S	6/1994	Weir	
D408,547 S	4/1999	Sullivan	
D408,548 S	4/1999	Sullivan	
D408,549 S	4/1999	Sullivan	

**OTHER PUBLICATIONS**

OASIS: The Magazine of San Juan Pools, published by San Juan Products, 2002.

\* cited by examiner

*Primary Examiner*—Doris Clark  
(74) *Attorney, Agent, or Firm*—Stetina Brunda Garred & Brucker

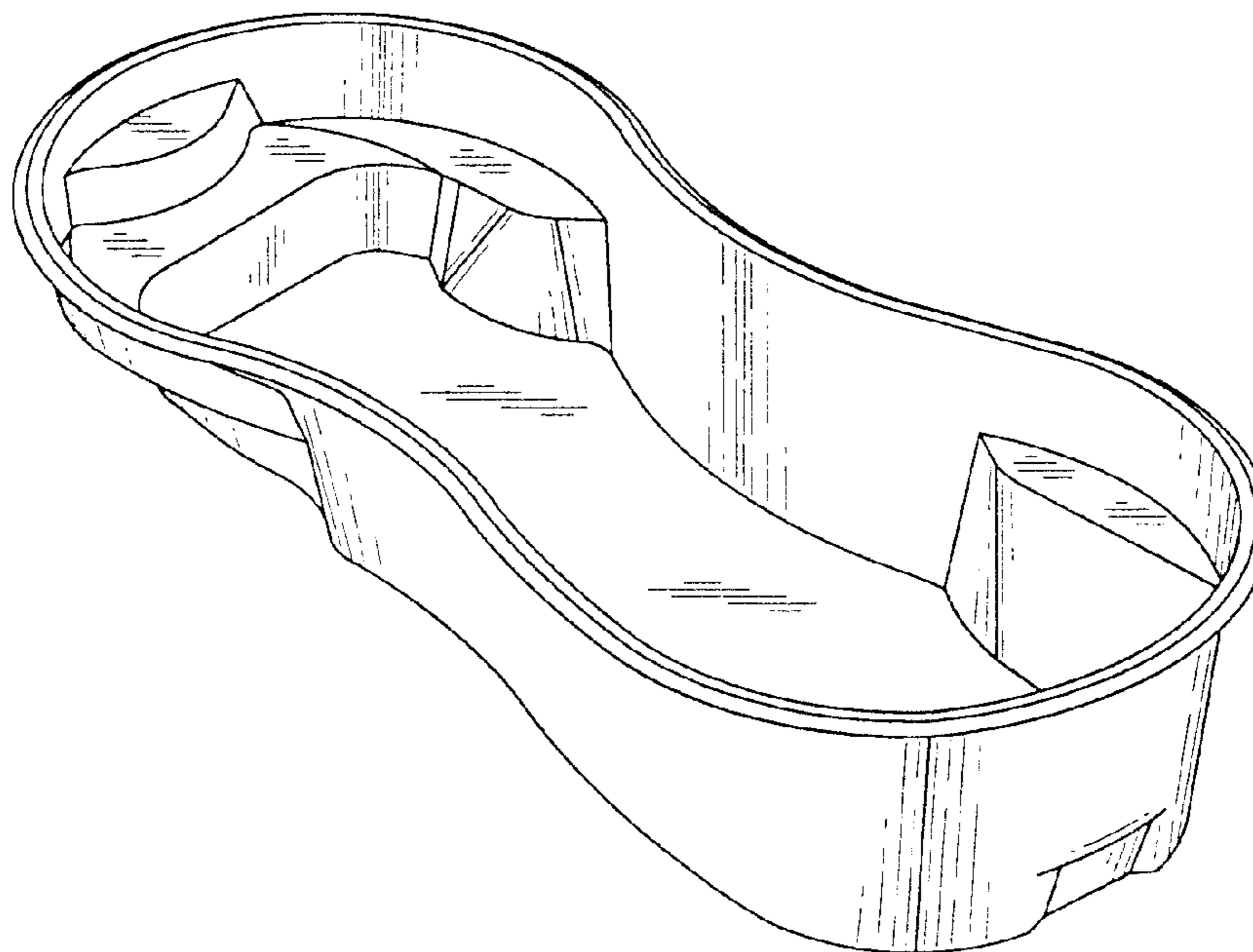
(57) **CLAIM**

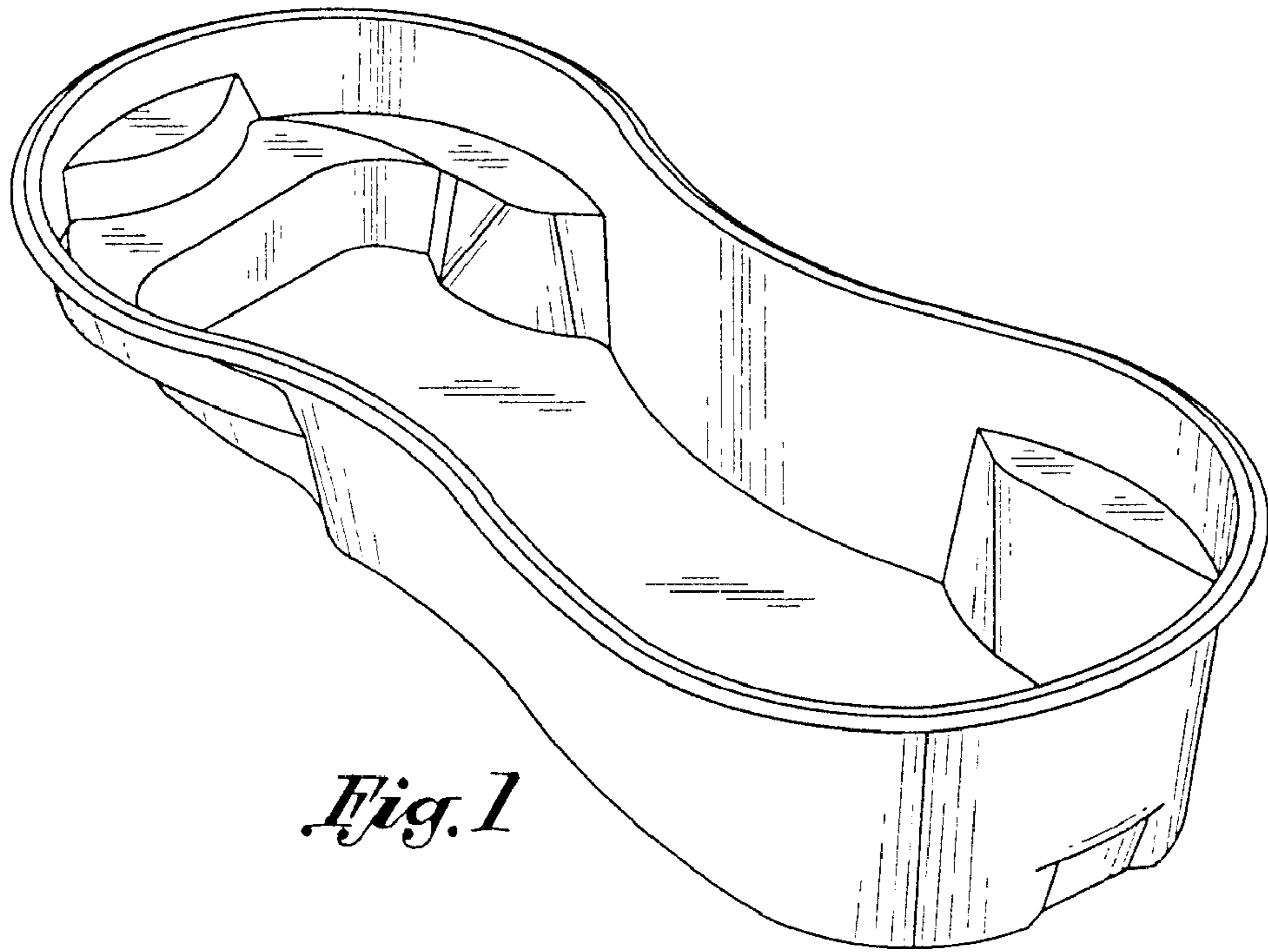
I claim the ornamental design for a fiberglass pool, as shown and described.

**DESCRIPTION**

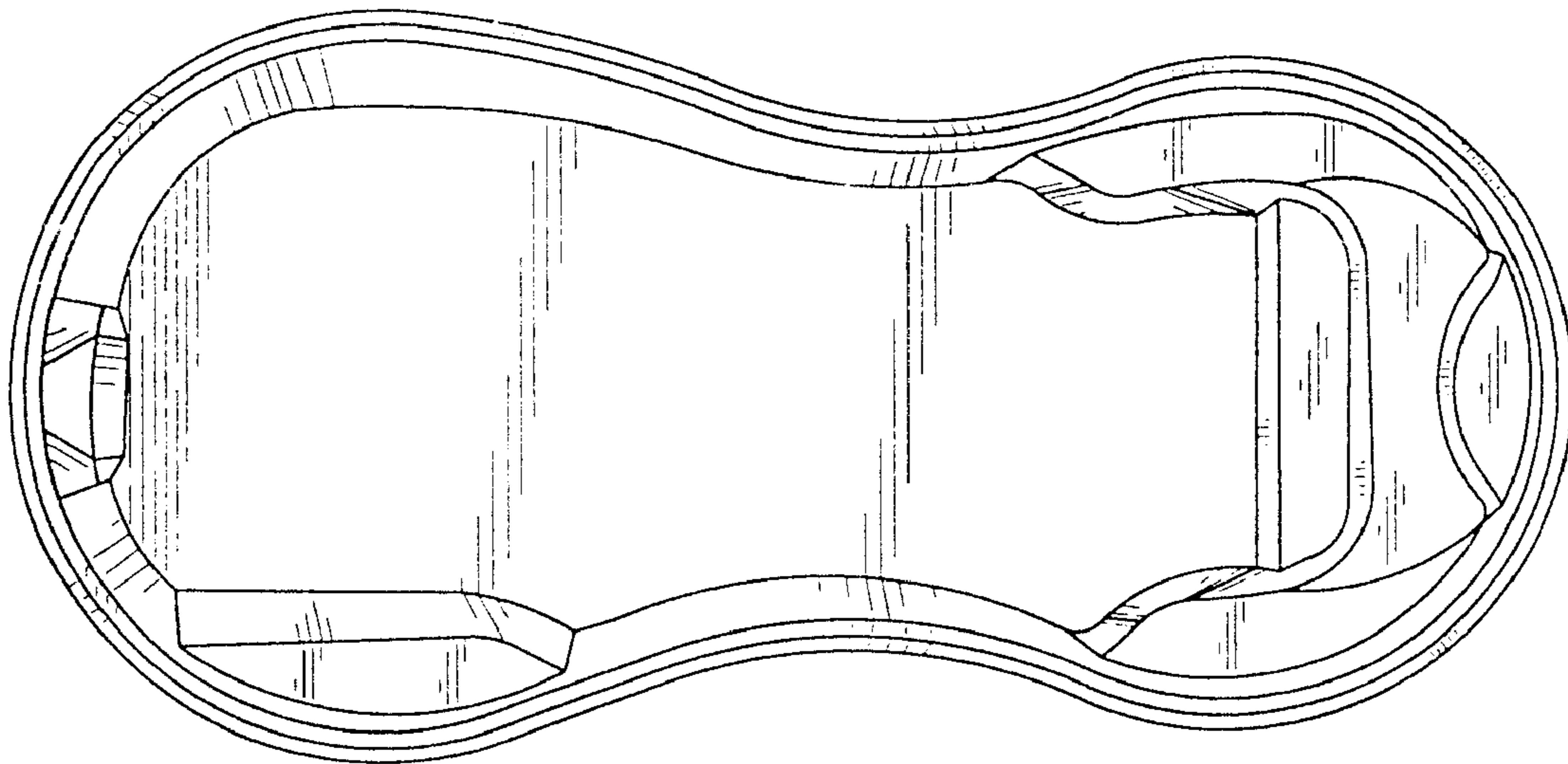
FIG. 1 is a front view of a fiberglass pool showing my new design;  
FIG. 2 is a top view thereof;  
FIG. 3 is a right side view thereof;  
FIG. 4 is a rear view thereof;  
FIG. 5 is a frontal view thereof;  
FIG. 6 is left side view thereof; and,  
FIG. 7 is a bottom view thereof.

**1 Claim, 2 Drawing Sheets**

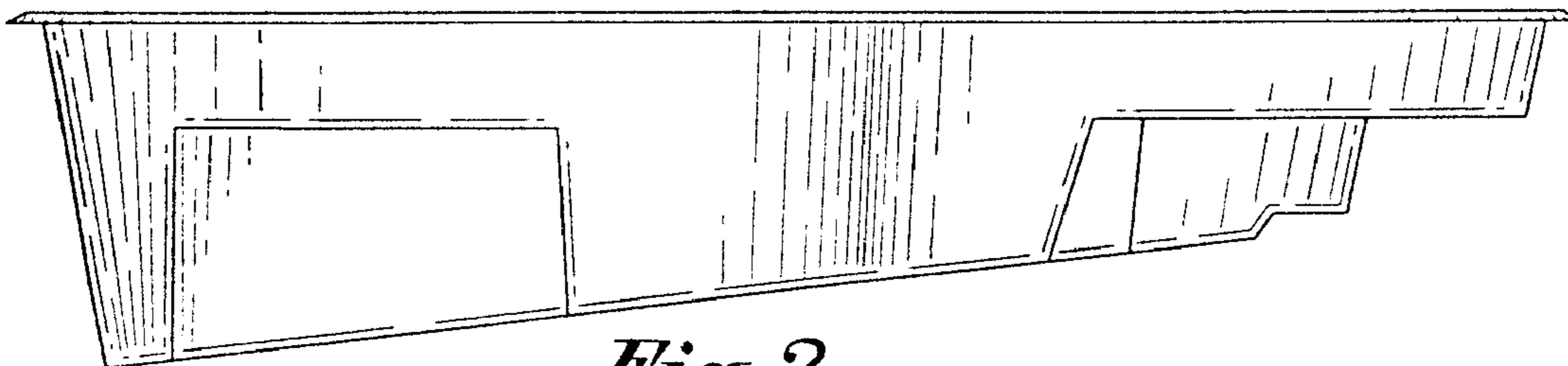




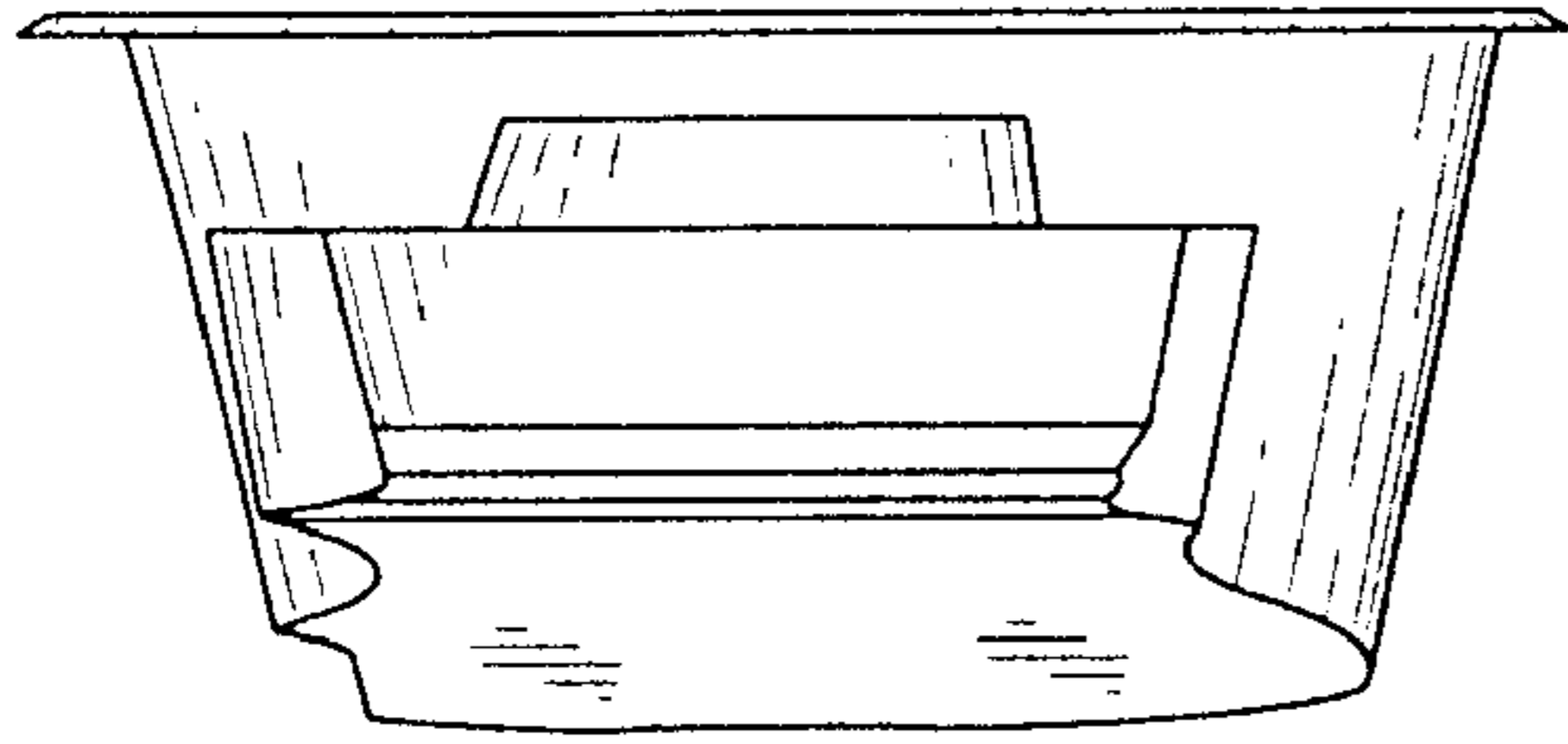
*Fig. 1*



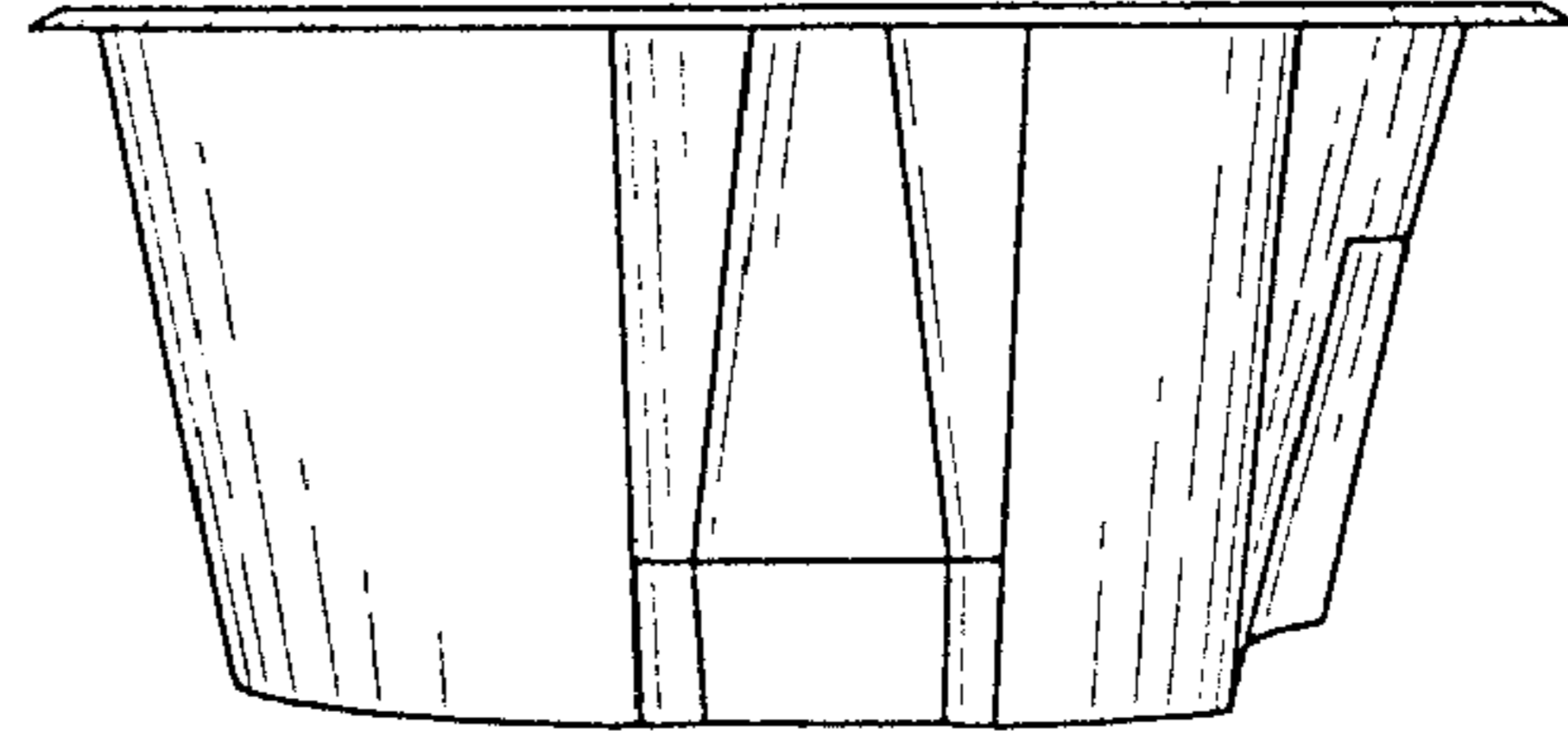
*Fig. 2*



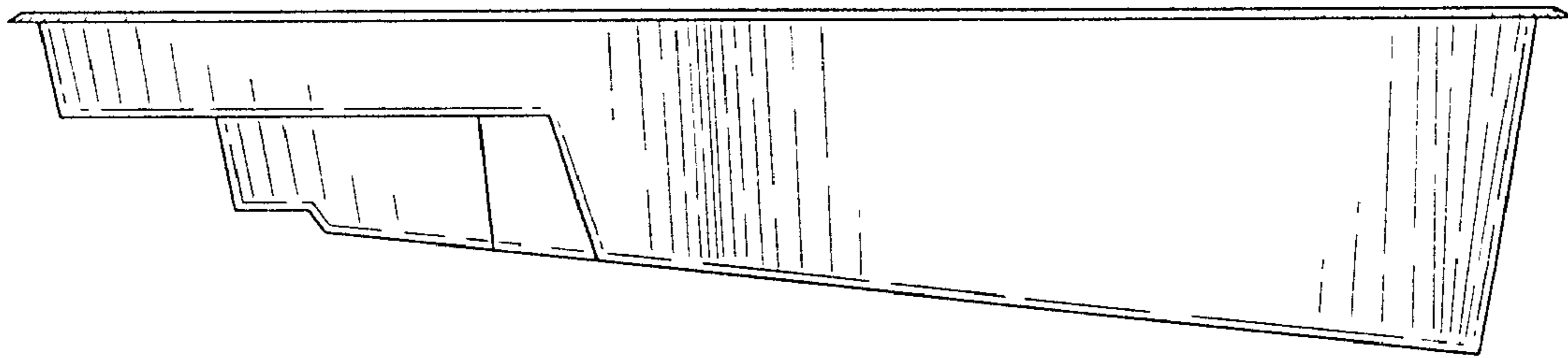
*Fig. 3*



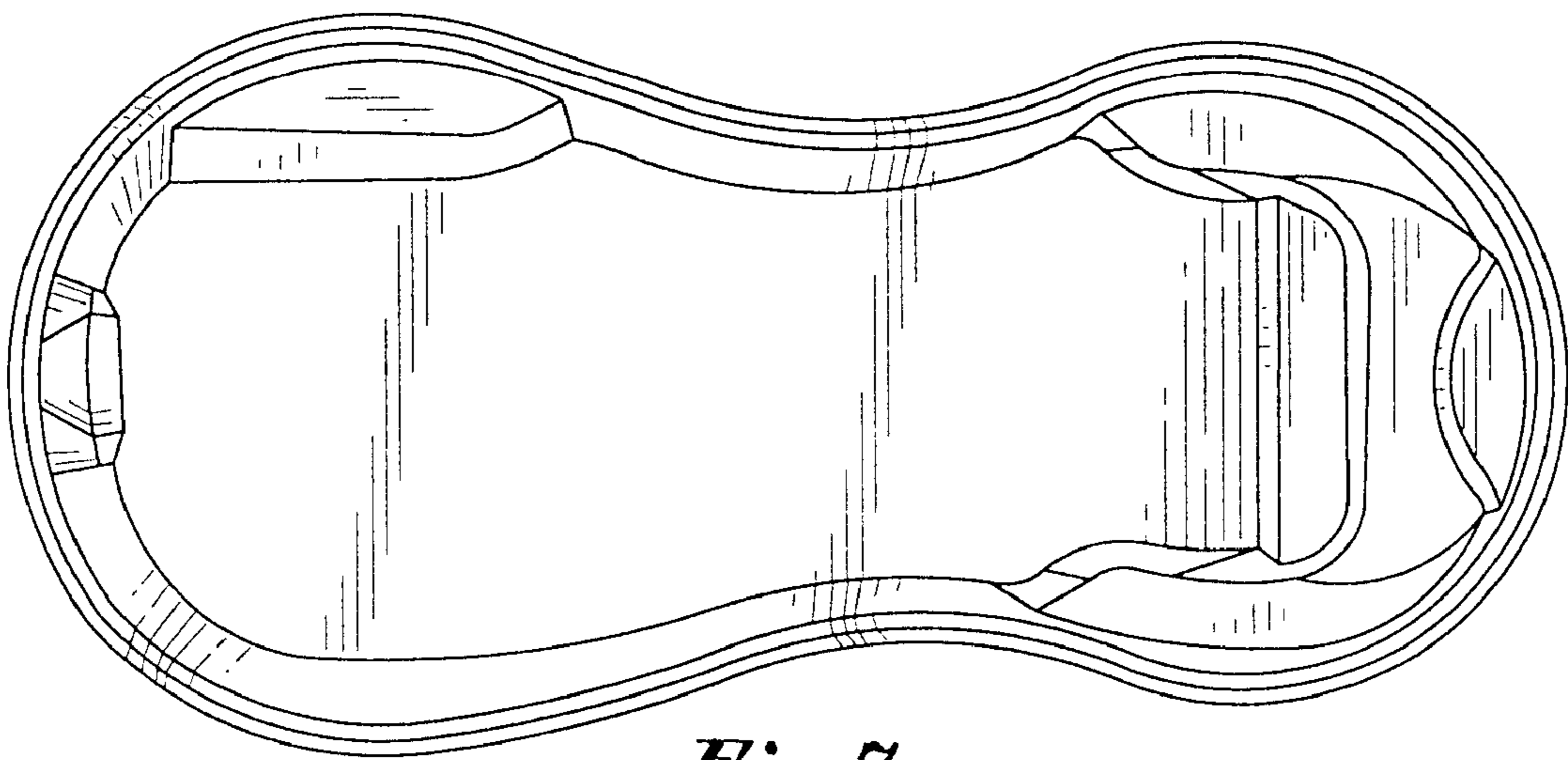
*Fig. 4*



*Fig. 5*



*Fig. 6*



*Fig. 7*