



US00D514706S

(12) **United States Design Patent**  
**Beach**

(10) **Patent No.:** **US D514,706 S**

(45) **Date of Patent:** **\*\* Feb. 7, 2006**

(54) **CONCRETE BRIDGE AND HEADWALL UNIT**

D356,163 S \* 3/1995 Ryan ..... D25/1  
6,205,605 B1 \* 3/2001 Orsat ..... 14/26

(75) Inventor: **Timothy J. Beach**, Beavercreek, OH  
(US)

\* cited by examiner

(73) Assignee: **Con/Span Bridge Systems Ltd.**,  
Dayton, OH (US)

*Primary Examiner*—Doris Clark  
(74) *Attorney, Agent, or Firm*—Jacox, Meckstroth &  
Jenkins

(\*\*) Term: **14 Years**

(57) **CLAIM**

(21) Appl. No.: **29/200,558**

The ornamental design of a concrete bridge and headwall unit, as shown and described.

(22) Filed: **Mar. 1, 2004**

**DESCRIPTION**

(51) **LOC (8) Cl.** ..... **25-03**

(52) **U.S. Cl.** ..... **D25/1**

(58) **Field of Classification Search** ..... D25/1;  
14/77.1, 24, 26

FIG. 1 is a perspective view of a concrete bridge and headwall unit and showing my new design;  
FIG. 2 is another perspective view thereof;  
FIG. 3 is a top view thereof;  
FIG. 4 is an end view thereof;  
FIG. 5 is an opposite end view thereof; and,  
FIG. 6 is a side view thereof, the opposite side view being a mirror image.

See application file for complete search history.

(56) **References Cited**

**U.S. PATENT DOCUMENTS**

4,993,872 A 2/1991 Lockwood

**1 Claim, 2 Drawing Sheets**

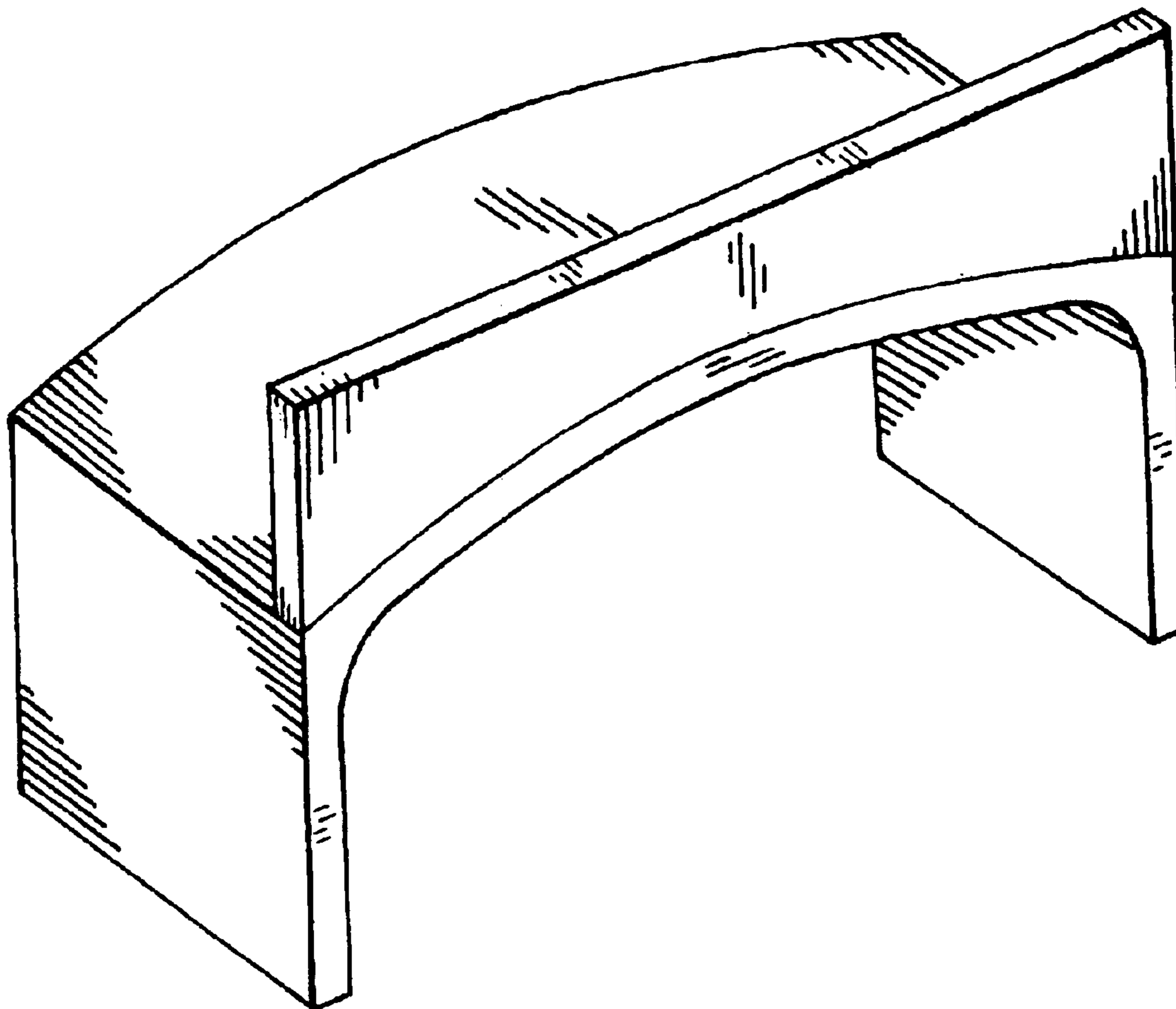


FIG-1

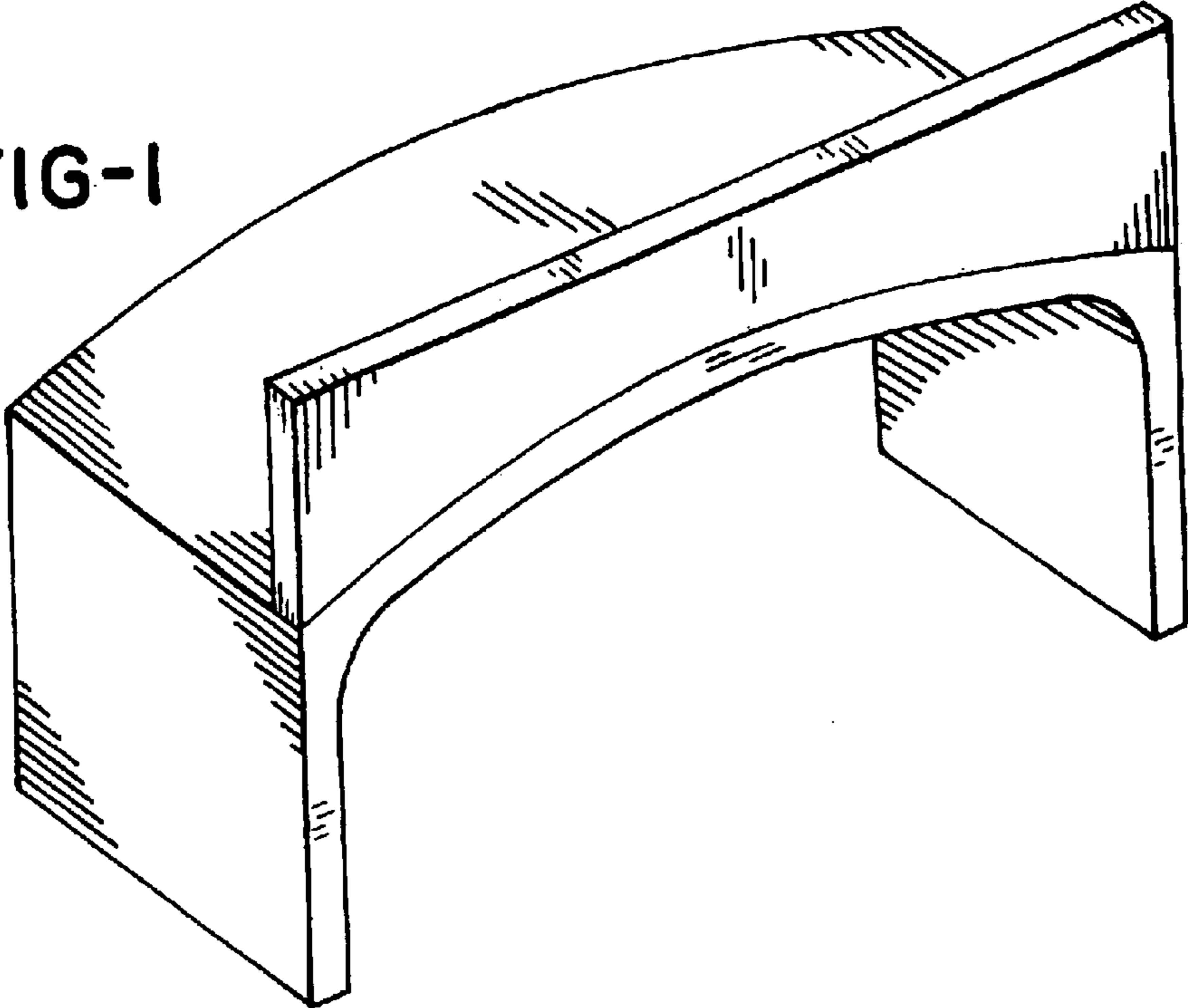


FIG-2

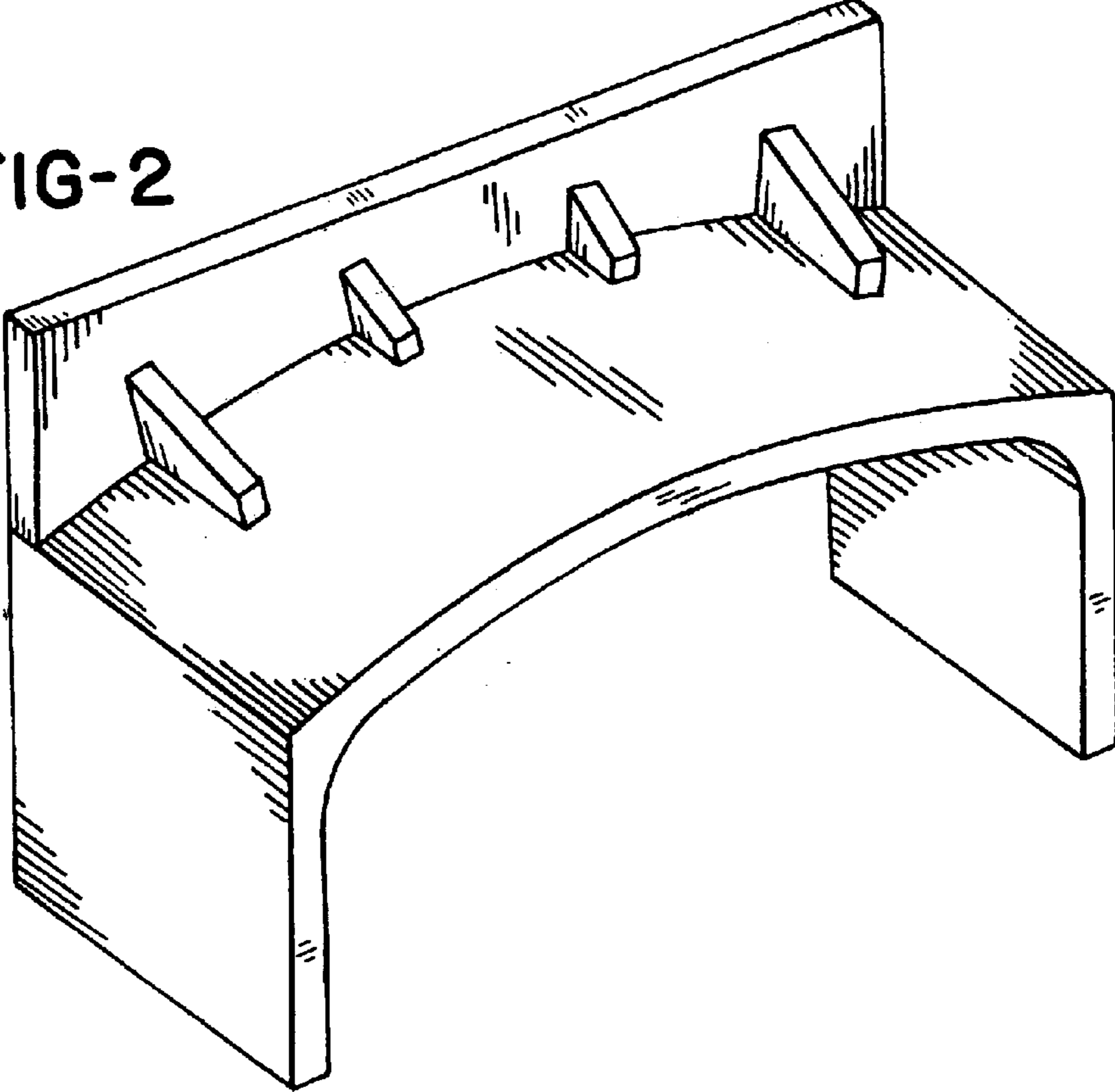


FIG-3

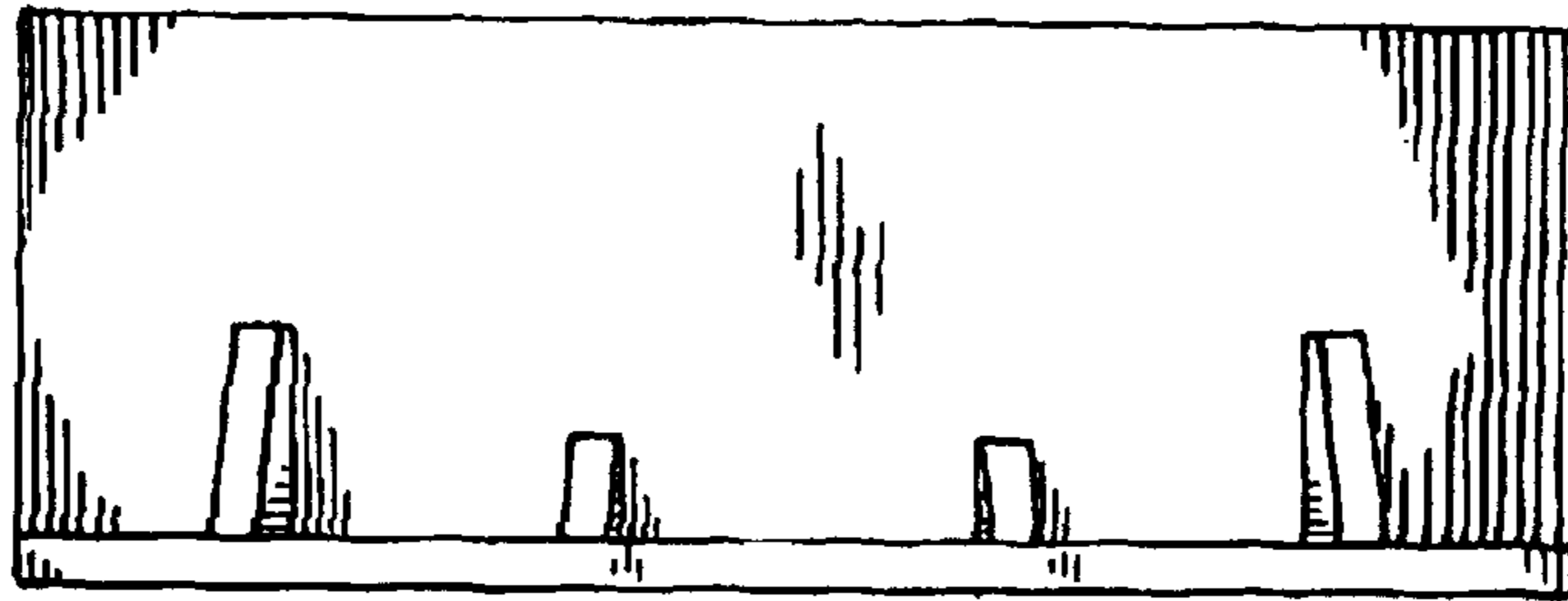


FIG-4

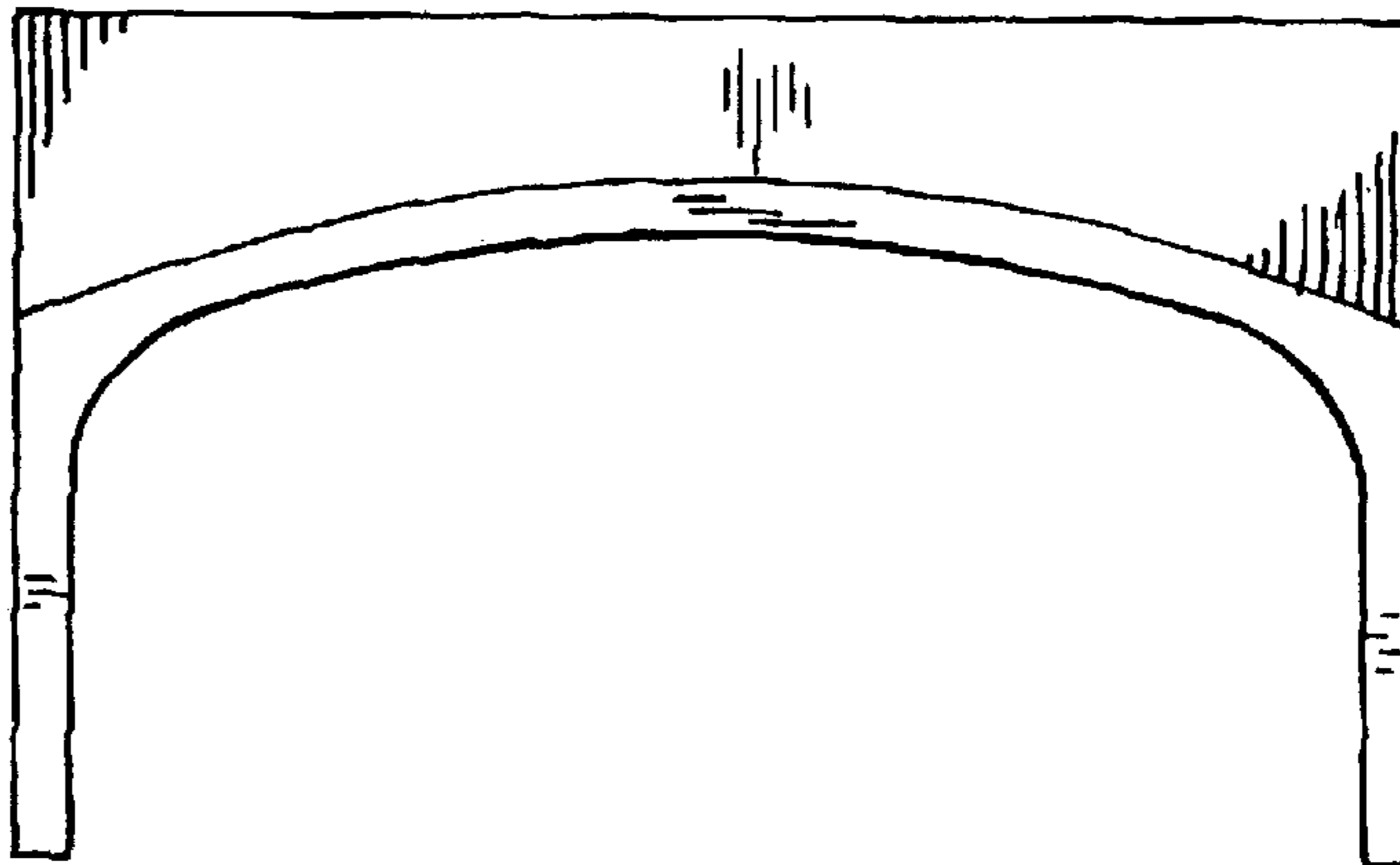


FIG-5

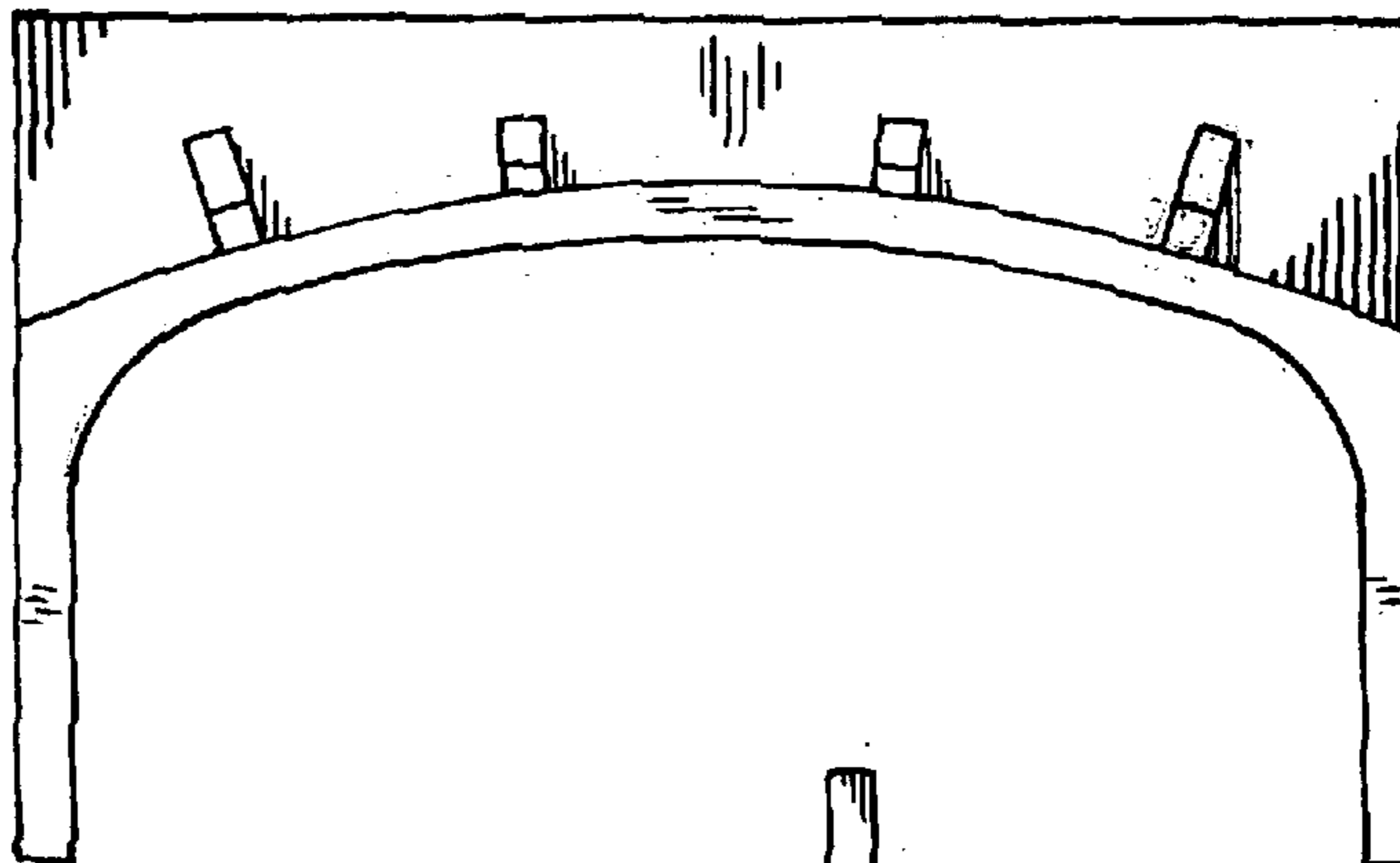


FIG-6

