



US00D514698S

(12) **United States Design Patent** (10) **Patent No.:** **US D514,698 S**
Belapure et al. (45) **Date of Patent:** **** Feb. 7, 2006**

(54) **INHALATION DEVICE FOR THE DELIVERY AND STORAGE OF POWDERED MEDICAMENTS**

(75) Inventors: **Shirish G. Belapure**, Gujarat (IN); **Pankaj Ramanbhai Patel**, Gujarat (IN); **P Sharvil Patel**, Gujarat (IN)

(73) Assignee: **Cadila Healthcare Limited**, Ahmedabad (IN)

(**) Term: **14 Years**

(21) Appl. No.: **29/179,148**

(22) Filed: **Apr. 4, 2003**

(30) **Foreign Application Priority Data**

Oct. 7, 2002	(IN)	190107
Oct. 7, 2002	(IN)	190108
Oct. 7, 2002	(IN)	190112

(51) **LOC (8) Cl.** **29-02**

(52) **U.S. Cl.** **D24/110**

(58) **Field of Classification Search** D24/110;
128/203.15, 203.21, 203.12, 200.11, 200.23,
128/203.23

See application file for complete search history.

(56) **References Cited**

U.S. PATENT DOCUMENTS

D350,602 S *	9/1994	Hobbs	D24/110
D437,931 S *	2/2001	Anderson	D24/110
D483,860 S *	12/2003	Knoch	D24/110
6,748,946 B1 *	6/2004	Rand et al.	128/203.15
2003/0101995 A1 *	6/2003	Yamashita et al.	128/203.15
2004/0025877 A1 *	2/2004	Crowder et al.	128/203.15

* cited by examiner

Primary Examiner—Ian Simmons
(74) *Attorney, Agent, or Firm*—Ladas & Parry

(57) **CLAIM**

We claim the ornamental design for an inhalation device for the delivery and storage of powdered medicaments, as shown and described.

DESCRIPTION

FIG. 1 is a right side elevational view of an inhalation device for the delivery of powdered medicaments showing our new design;

FIG. 2 is a left side elevational view thereof;

FIG. 3 is a top plan view thereof;

FIG. 4 is a front elevational view thereof;

FIG. 5 is a rear elevational view thereof;

FIG. 6 is a bottom plan view thereof;

FIG. 7 is a rear elevational view of the inhalation device for the delivery and storage of powdered medicaments, with the spout and lid shown removed for ease of illustration;

FIG. 8 is a front elevational view thereof;

FIG. 9 is a right side elevational view thereof;

FIG. 10 is a left side elevational view thereof;

FIG. 11 is a top plan view thereof;

FIG. 12 is a bottom plan view thereof;

FIG. 13 is a front elevational view of the spout portion of the inhalation device for the delivery and storage of powdered medicaments, with the body and lid shown removed for ease of illustration;

FIG. 14 is a rear elevational view thereof;

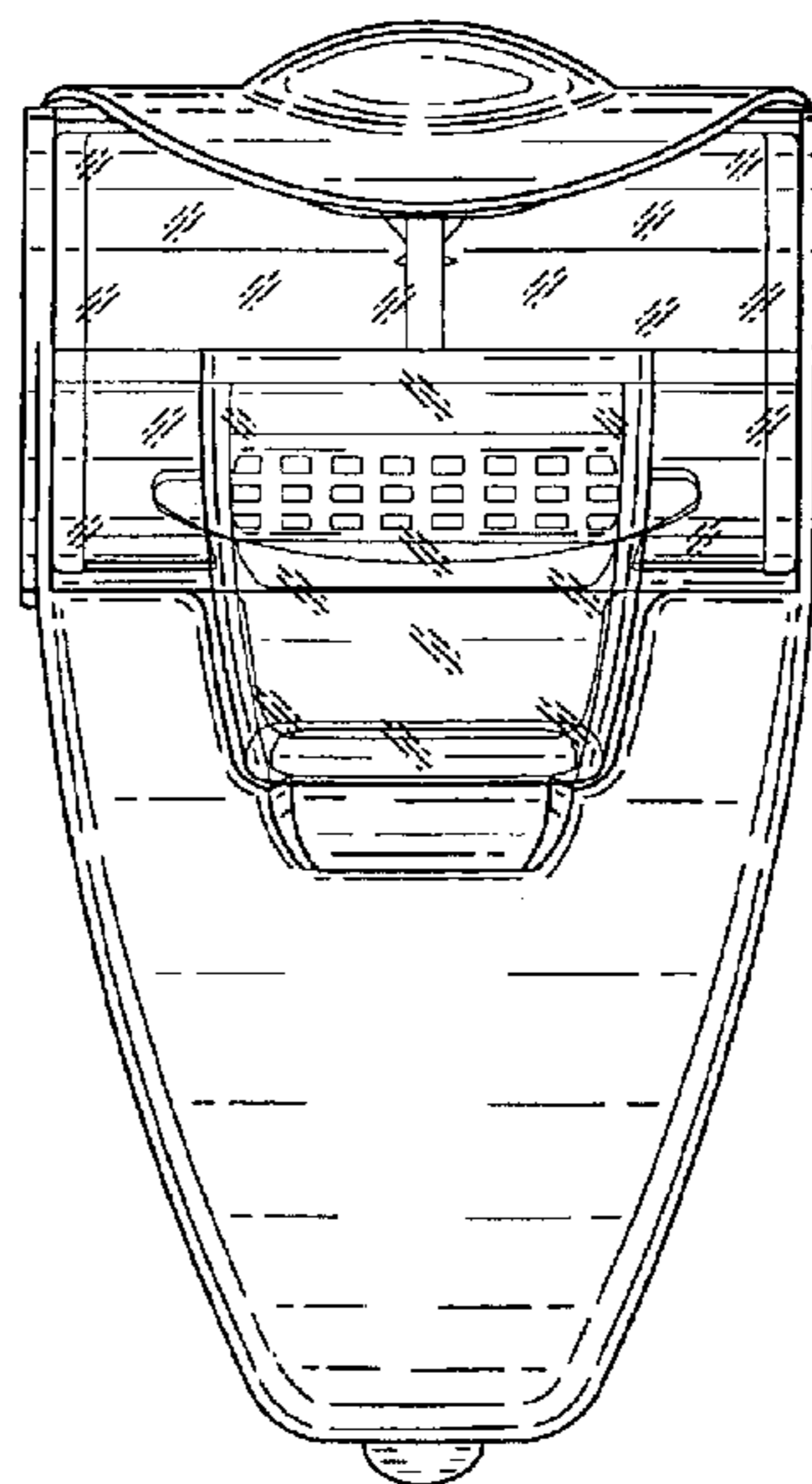
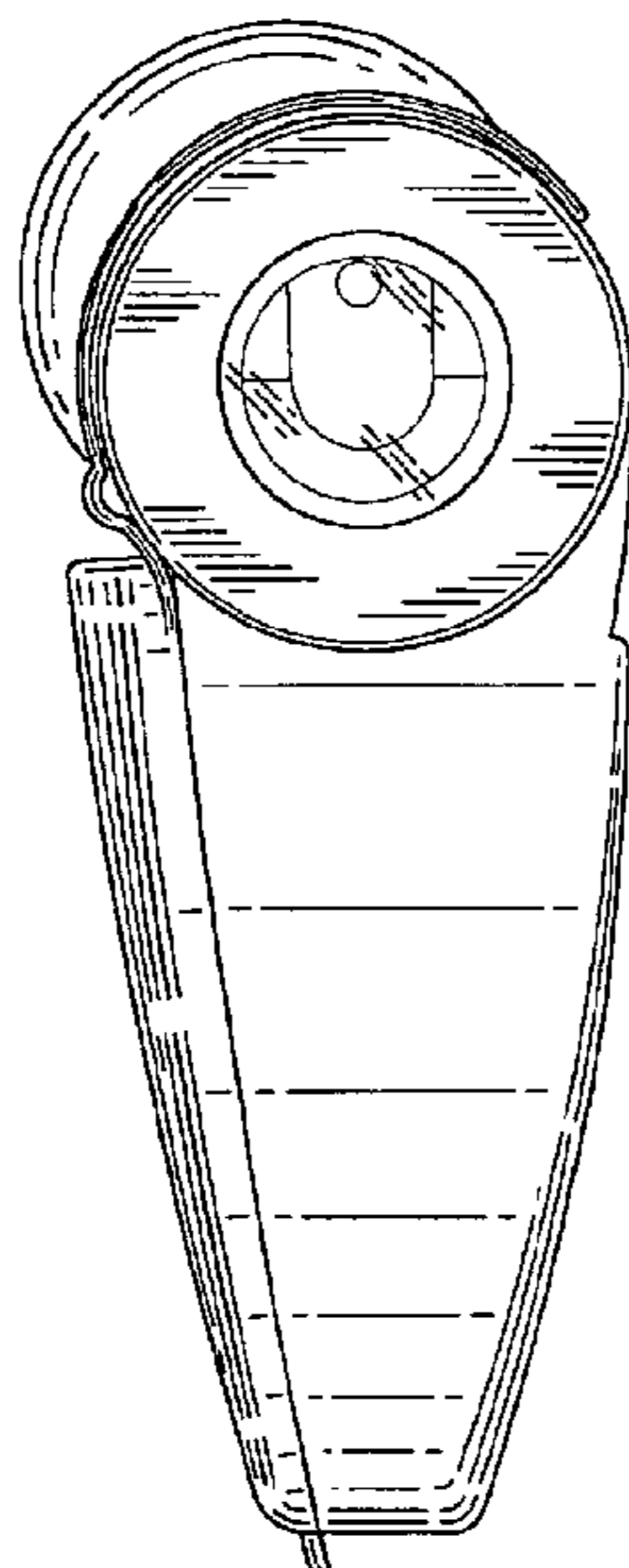
FIG. 15 is a top plan view thereof;

FIG. 16 is a bottom plan view thereof;

FIG. 17 is a right and front perspective view thereof; and,

FIG. 18 is a left side and front perspective view thereof.

1 Claim, 7 Drawing Sheets



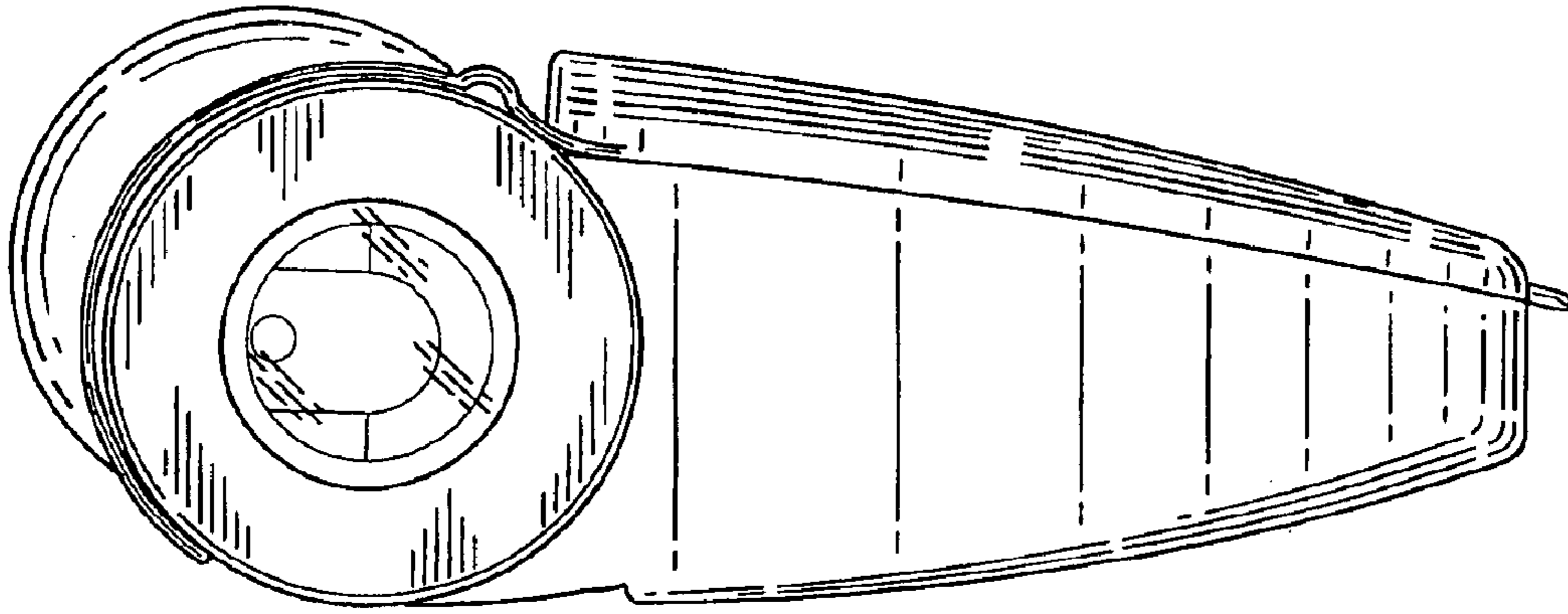


FIG. 2

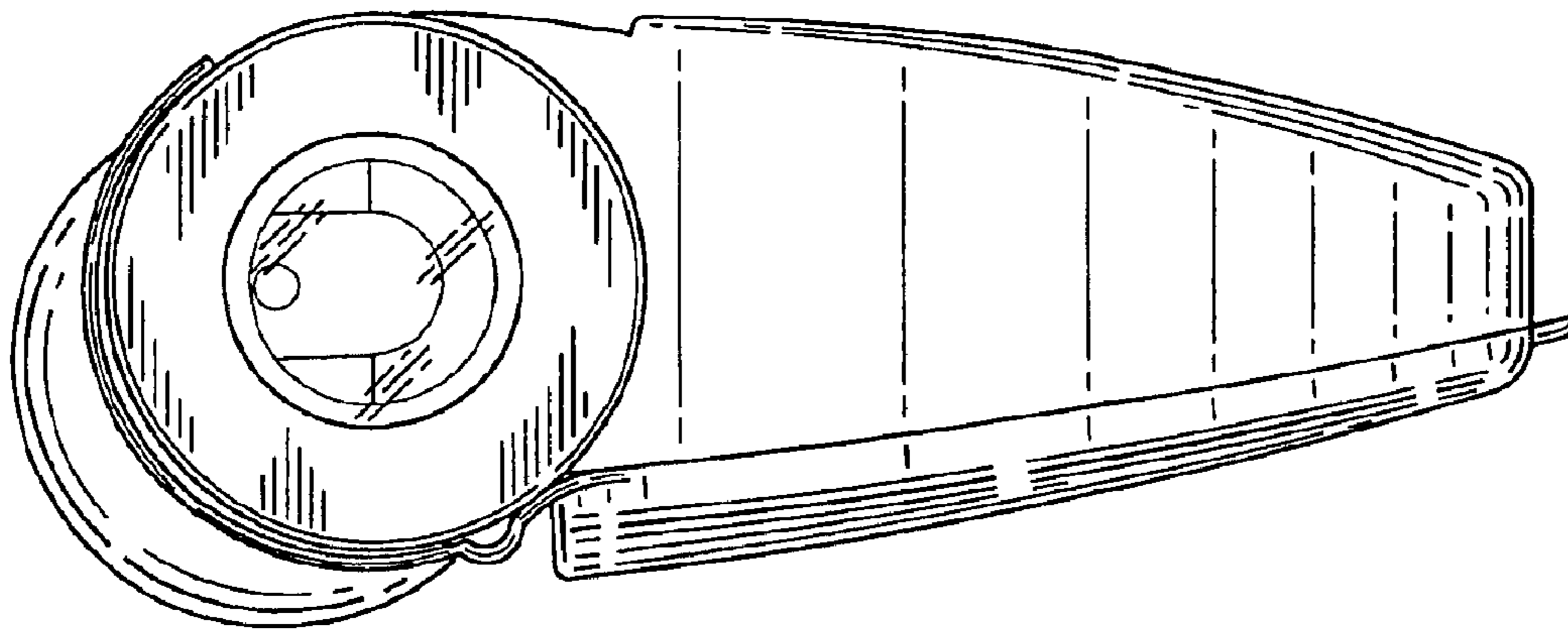


FIG. 1

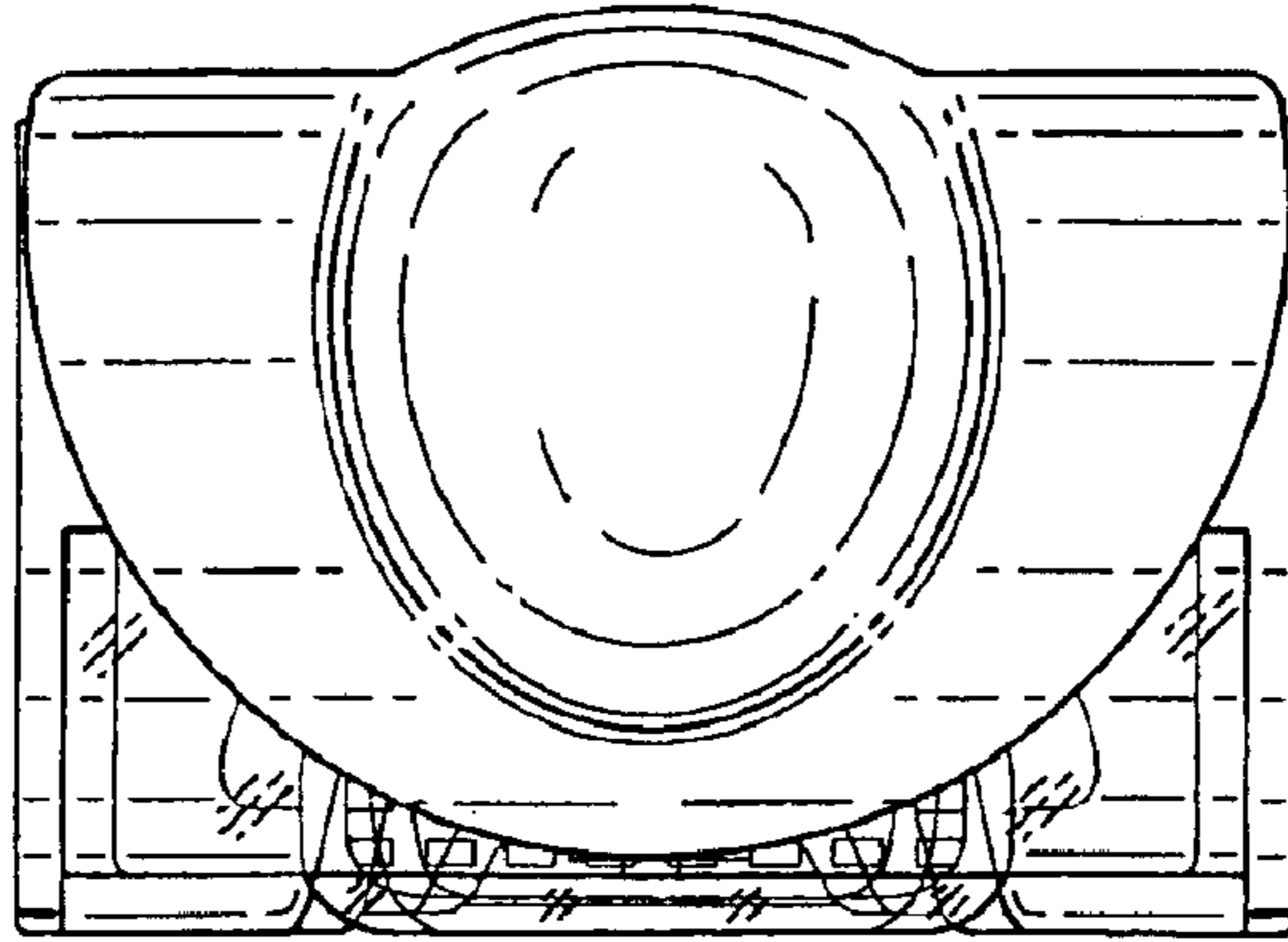


FIG. 3

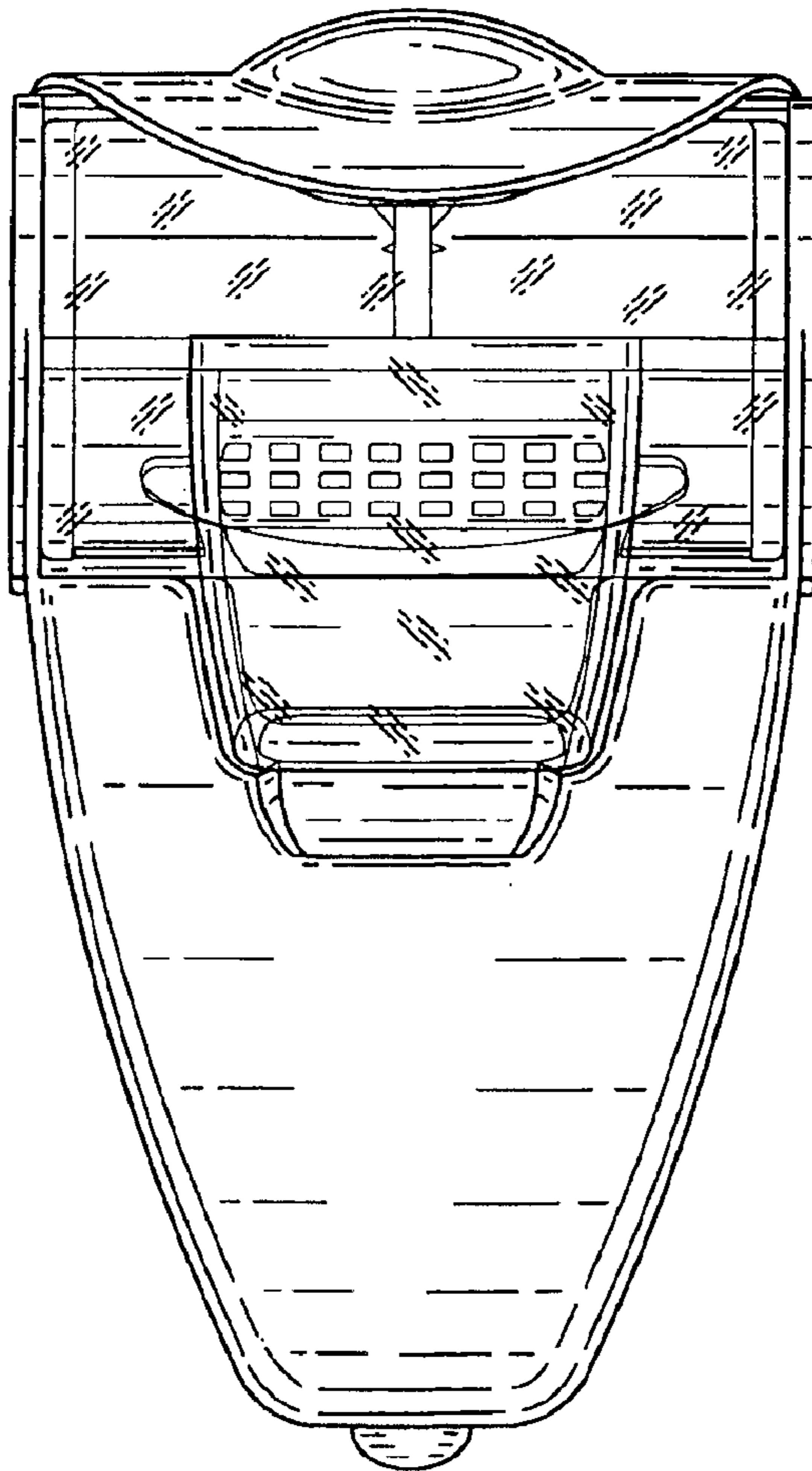


FIG. 4

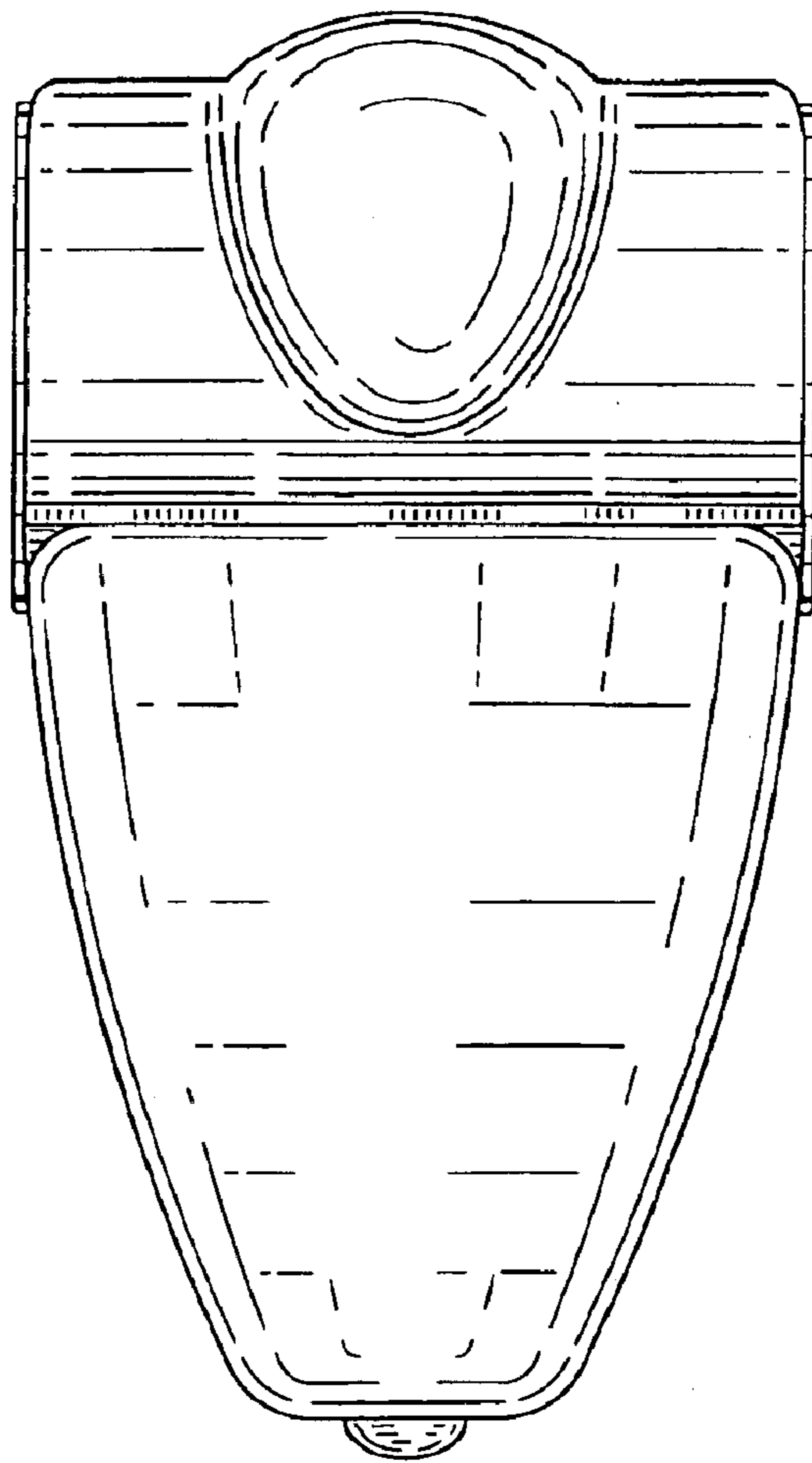


FIG. 5

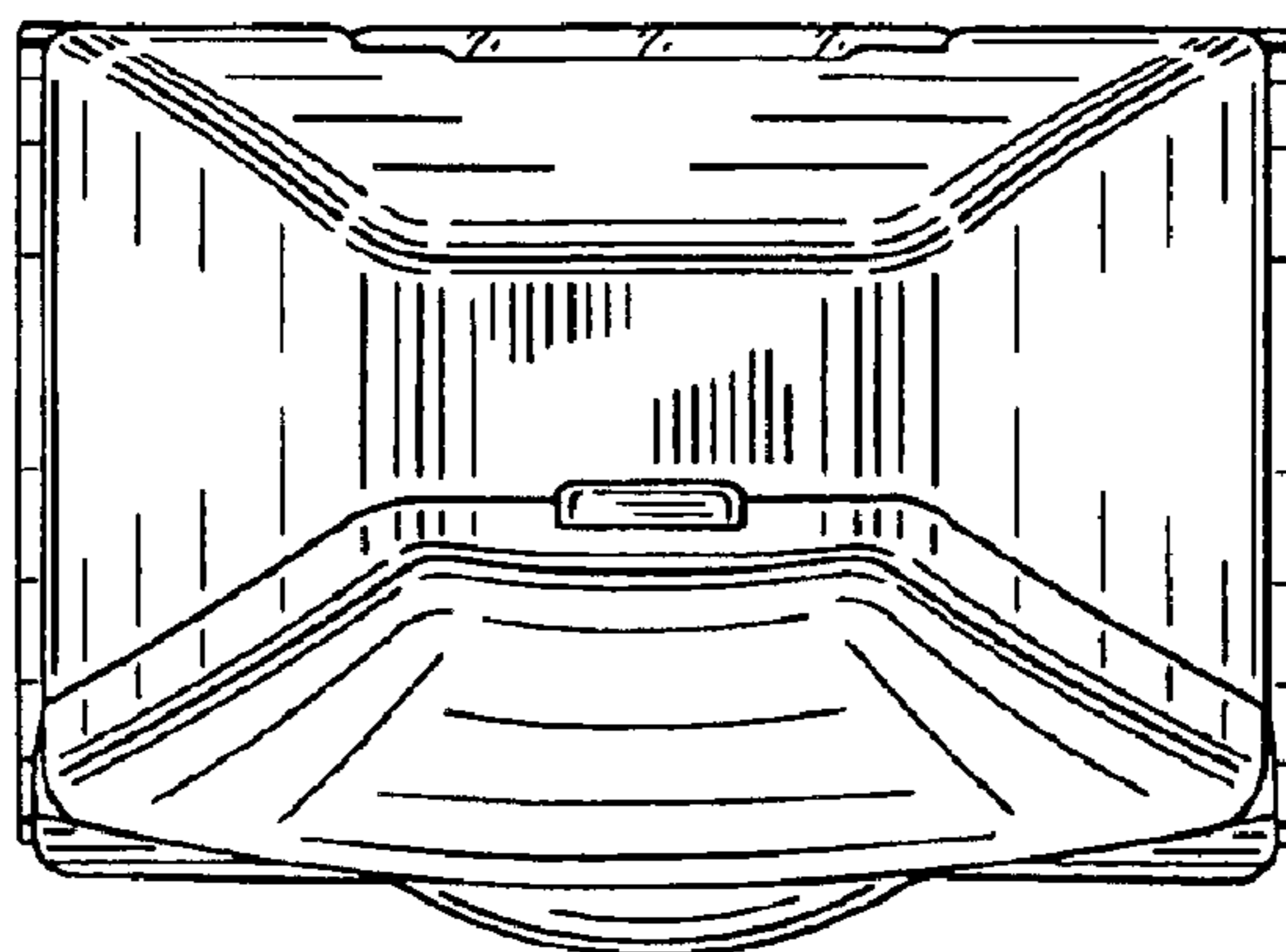


FIG. 6

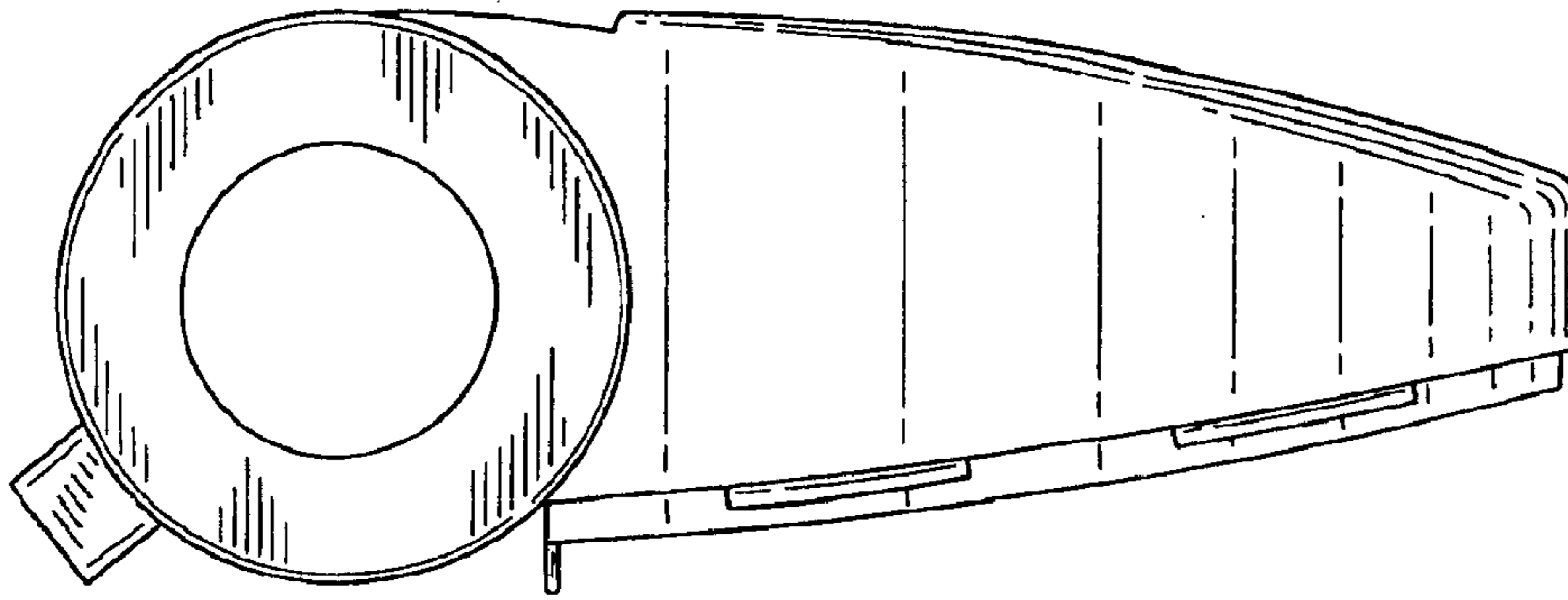


FIG. 9

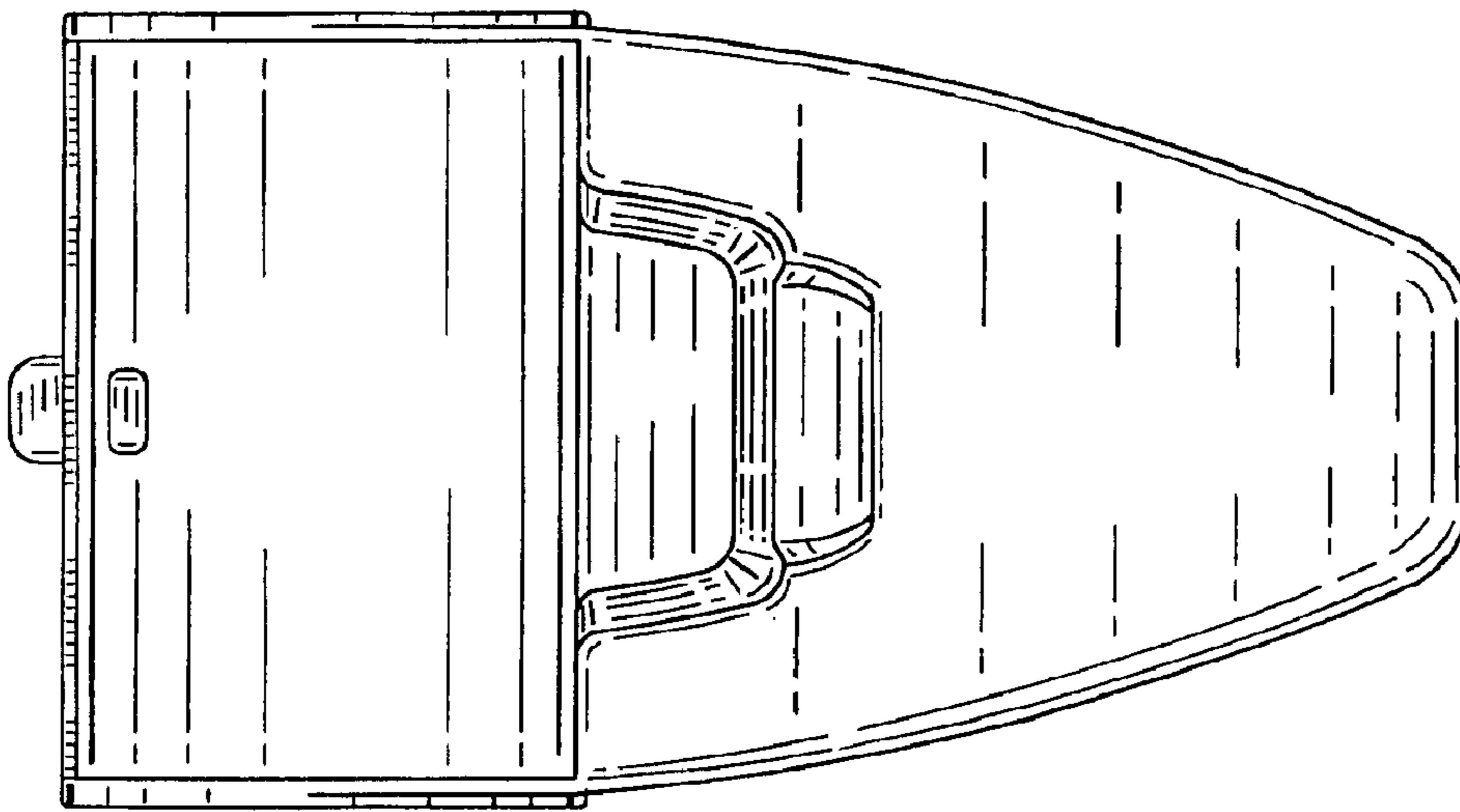


FIG. 8

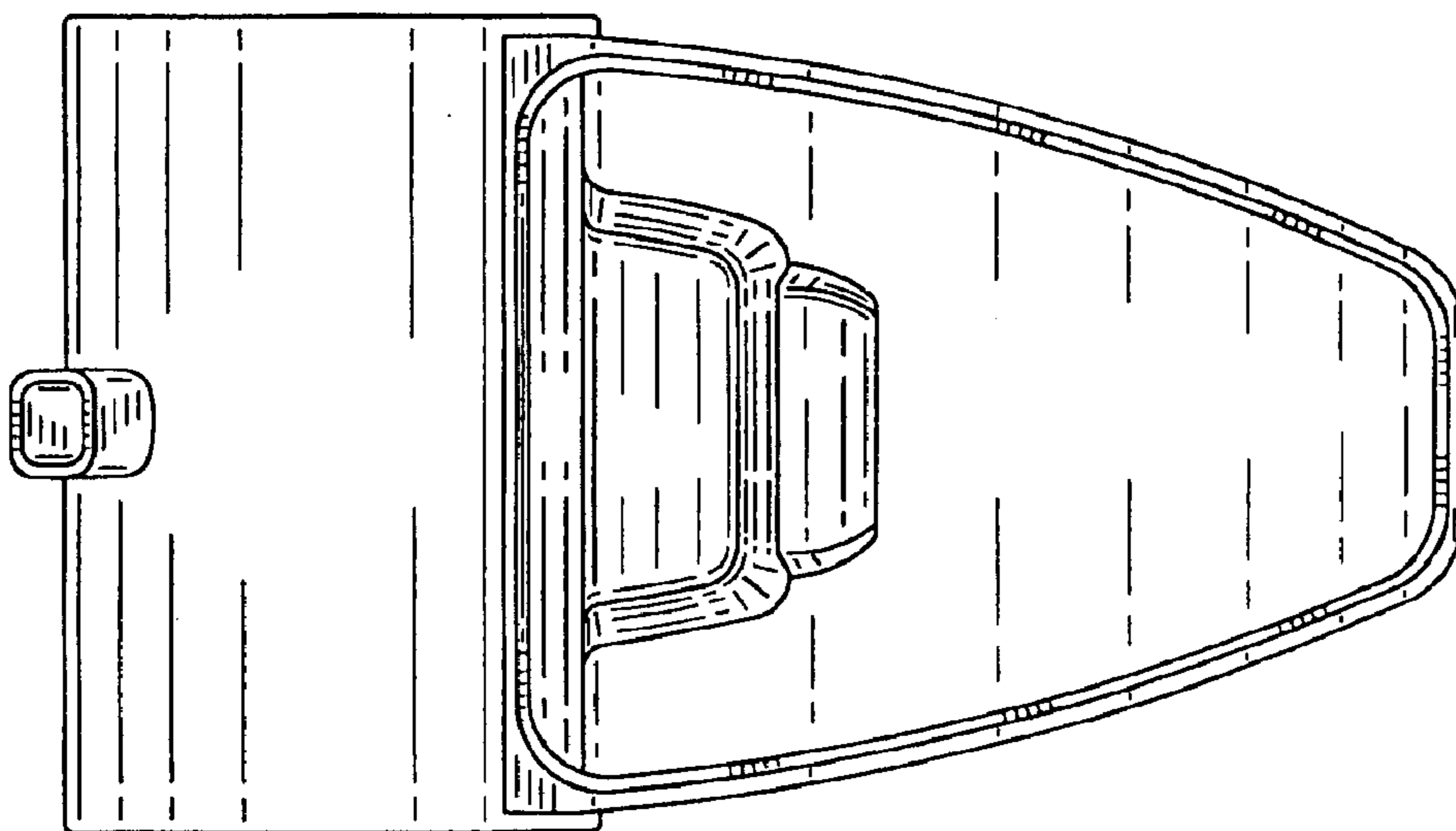


FIG. 7

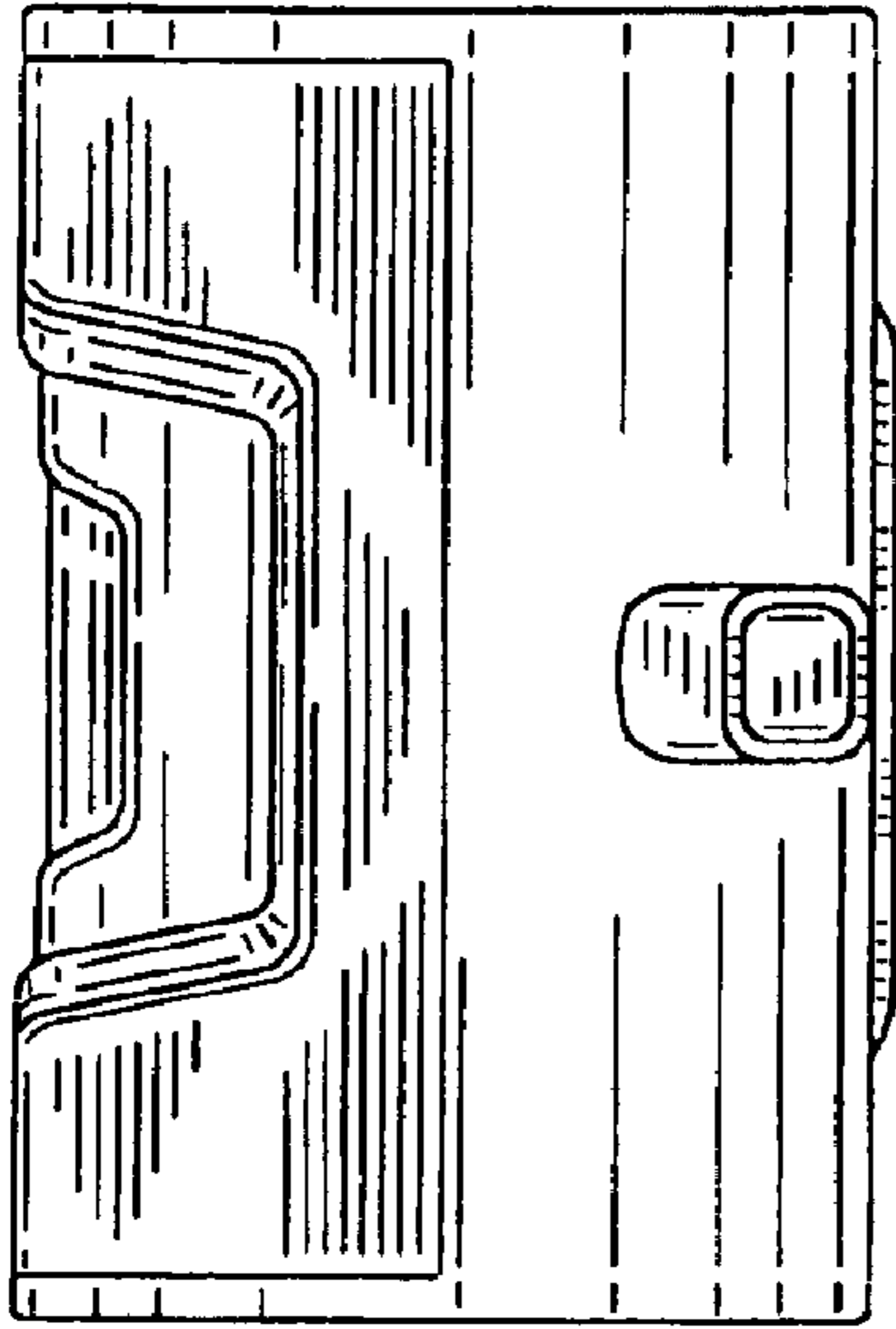


FIG. 11

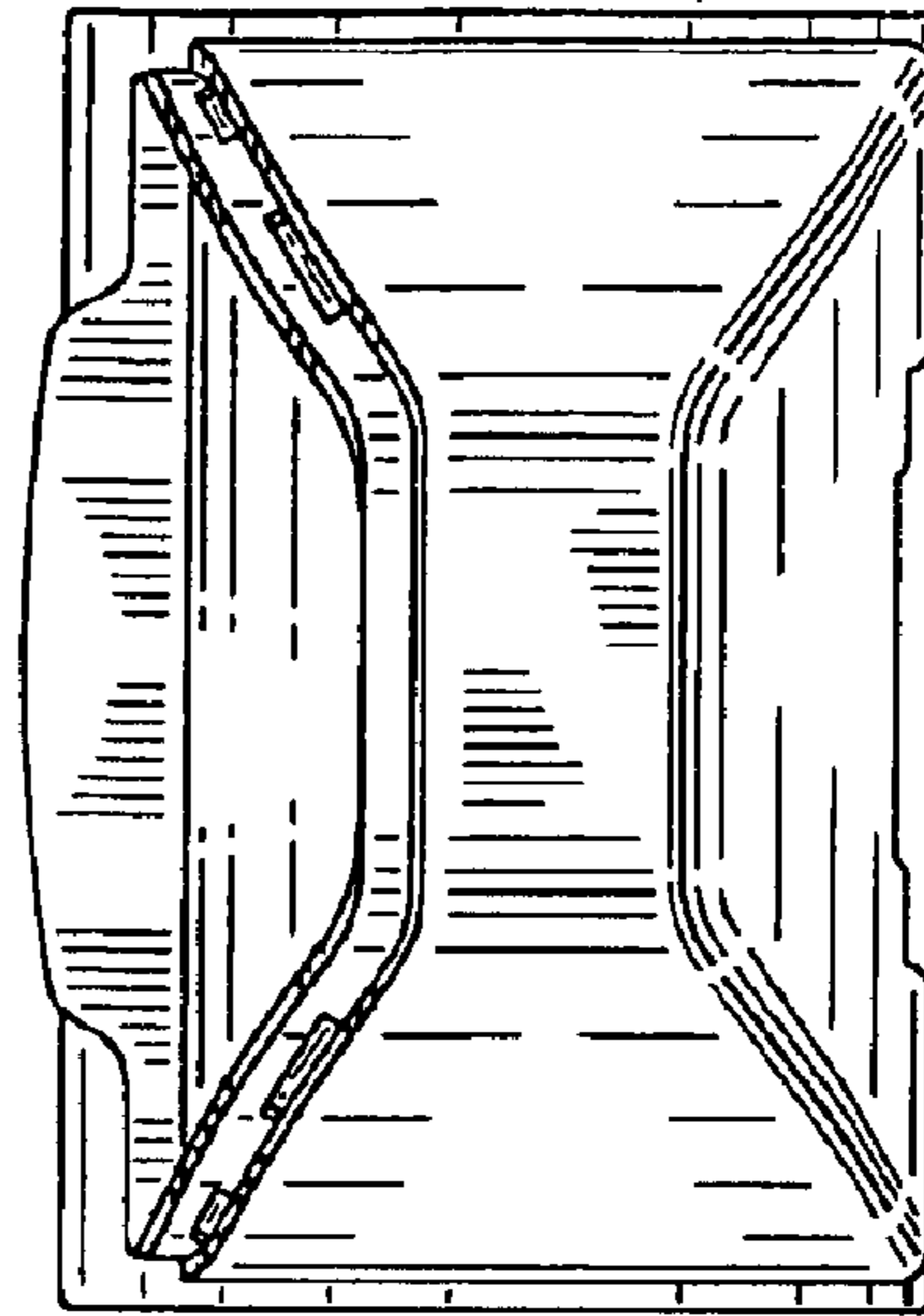


FIG. 12

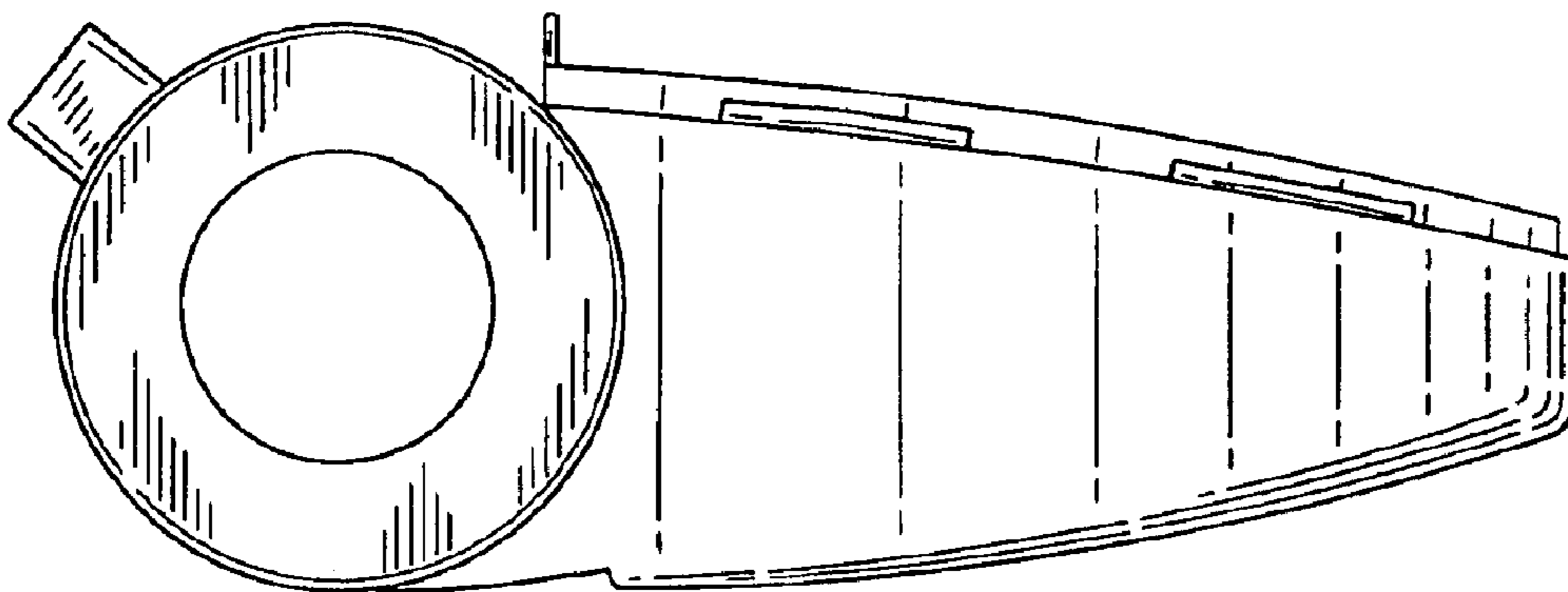


FIG. 10

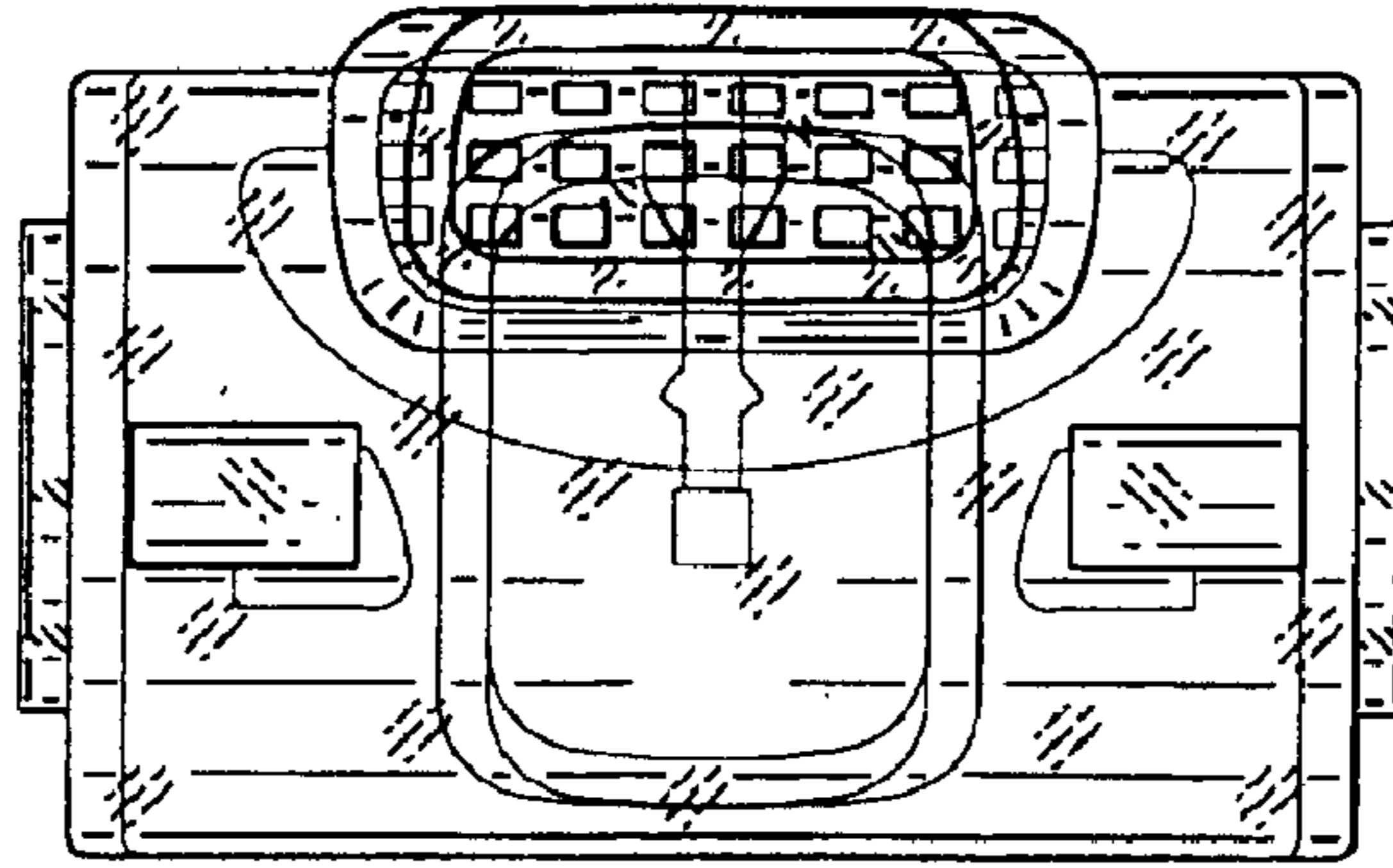


FIG. 13

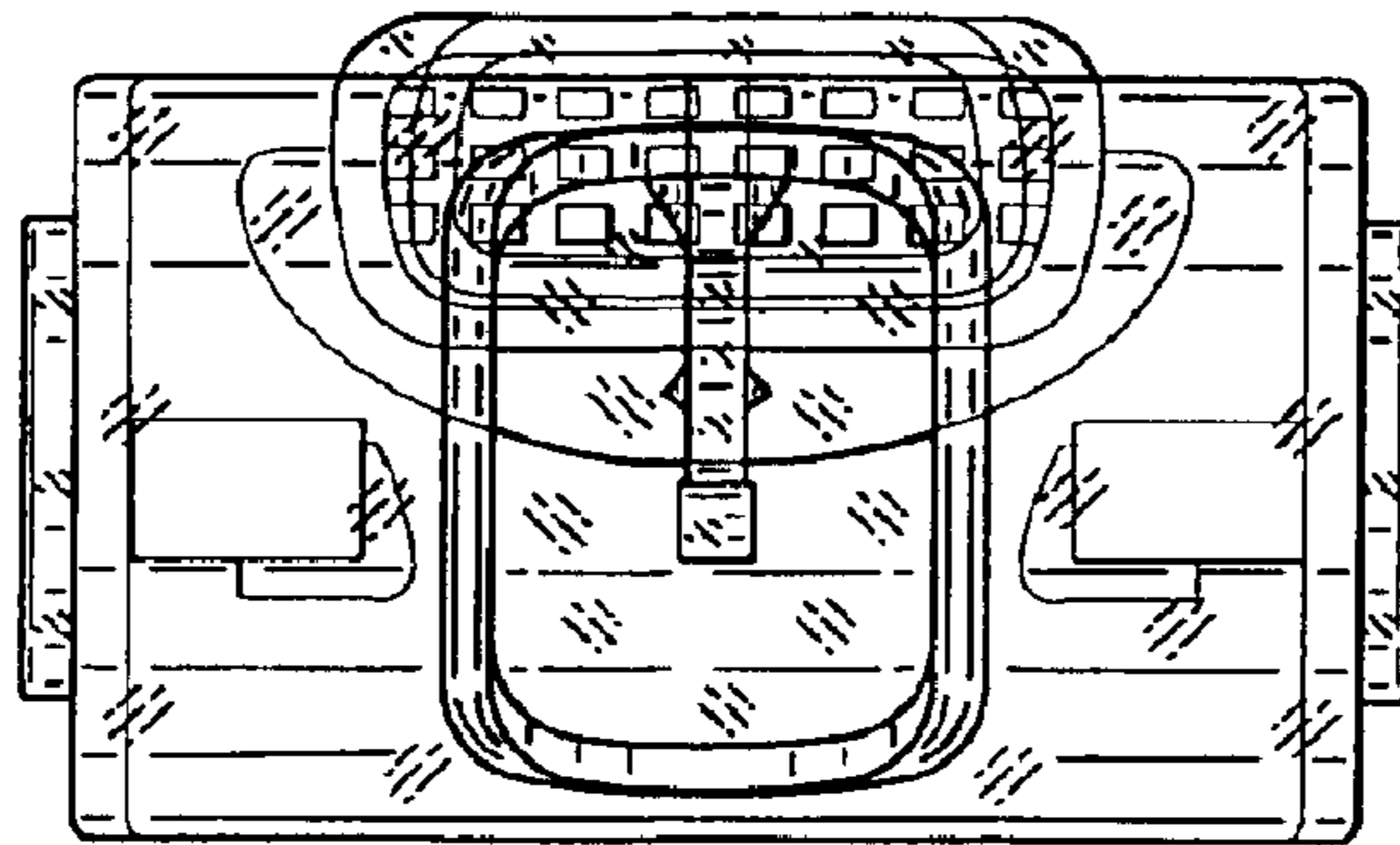


FIG. 14

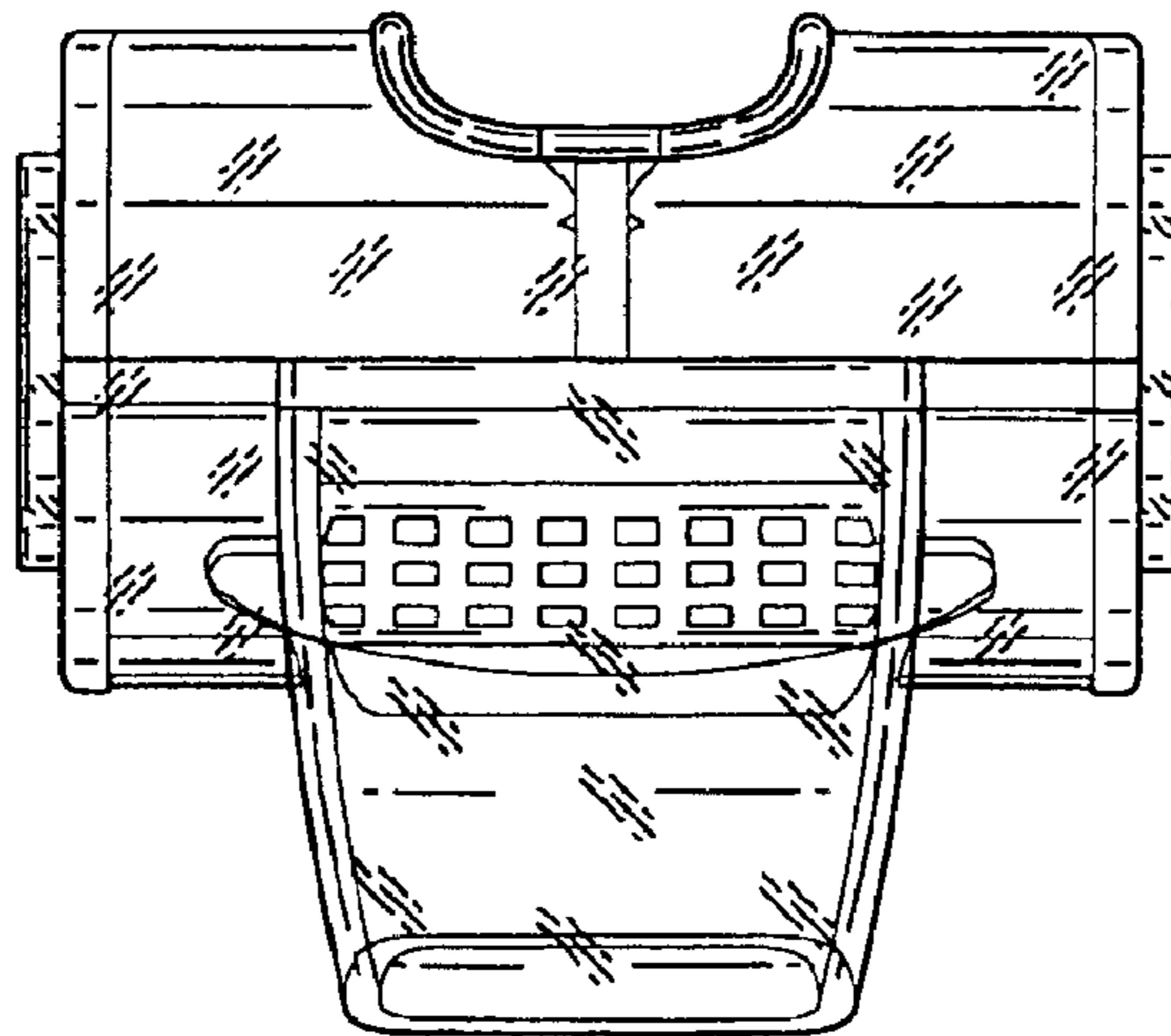


FIG. 15

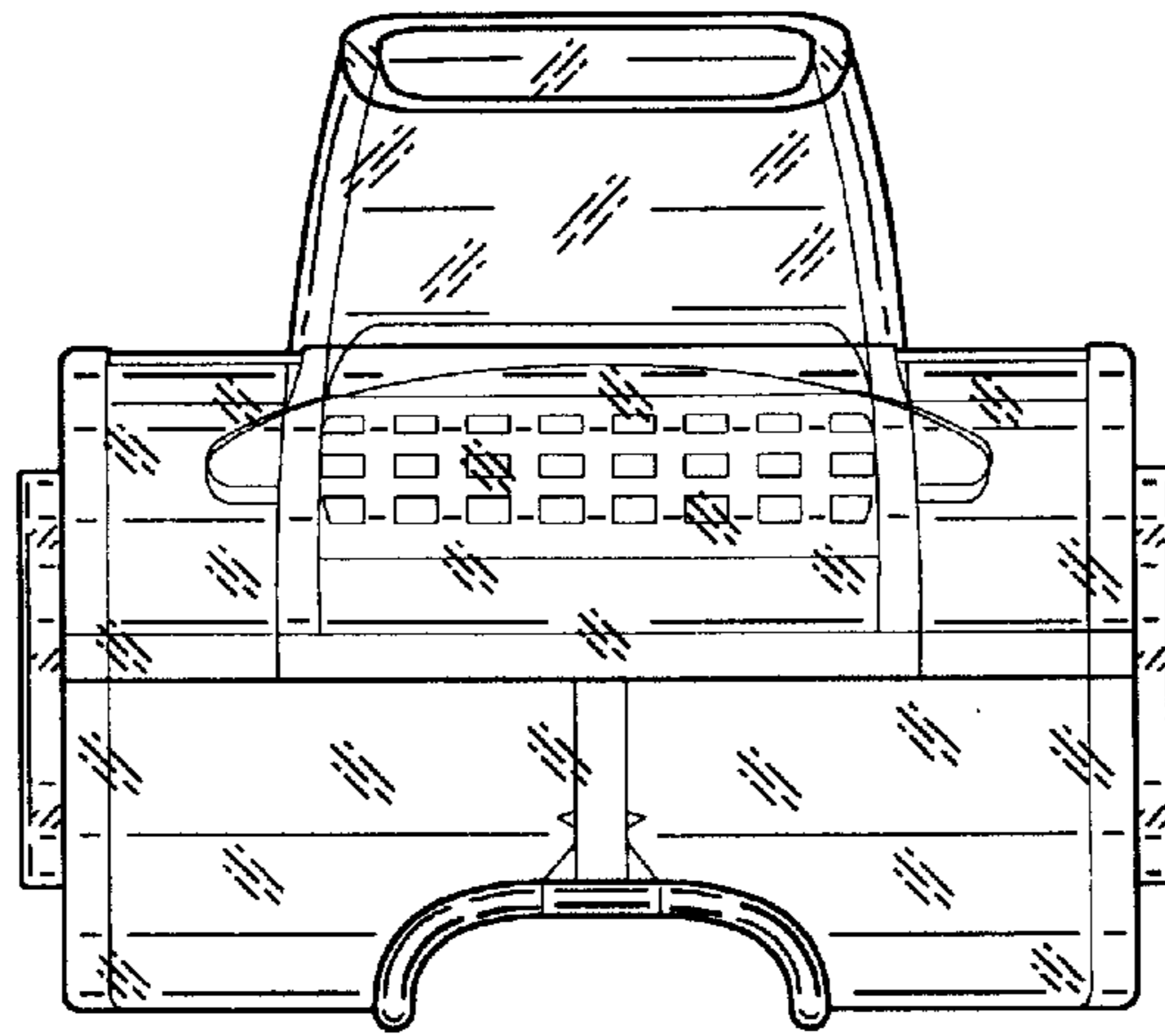


FIG. 16

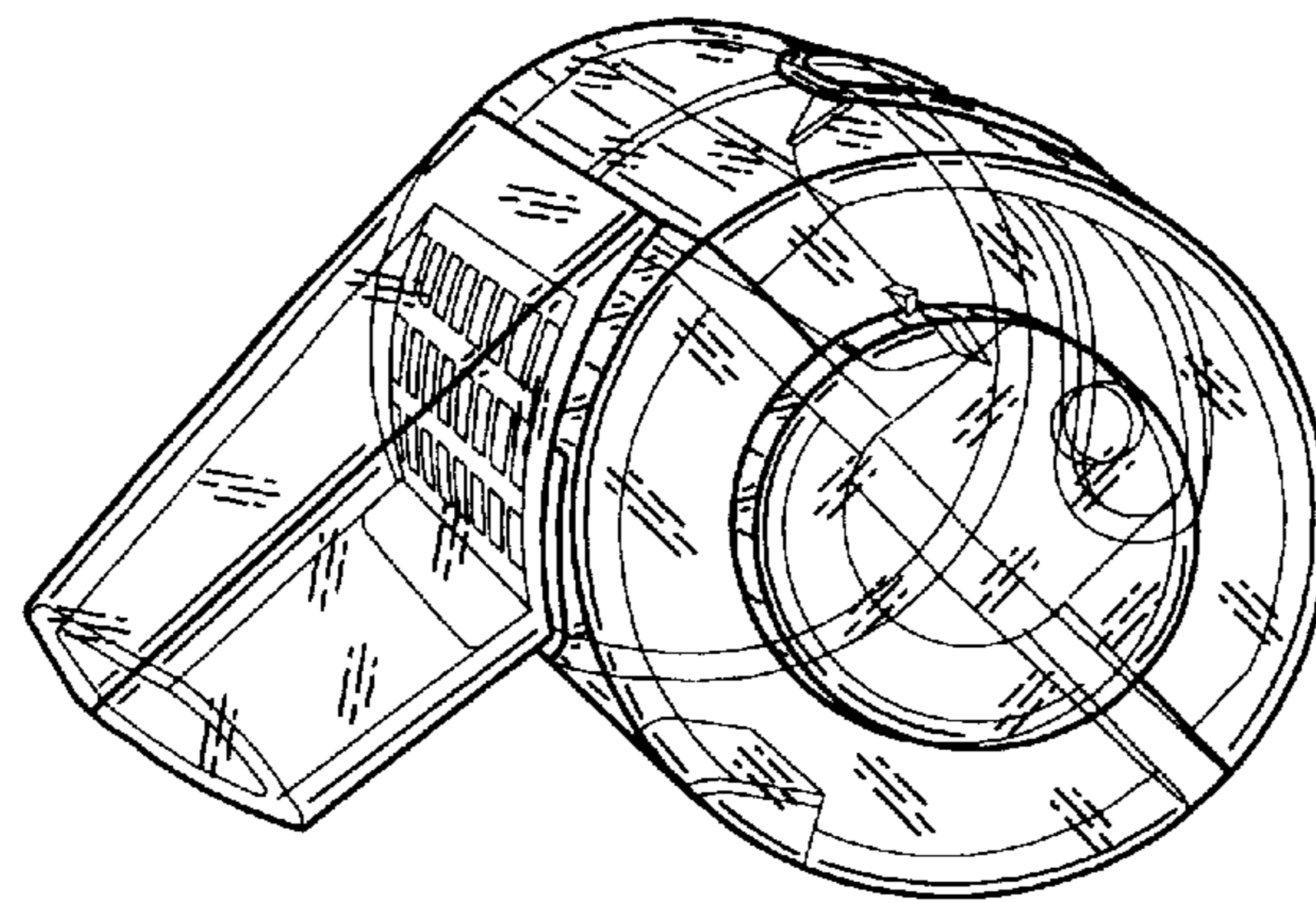


FIG. 17

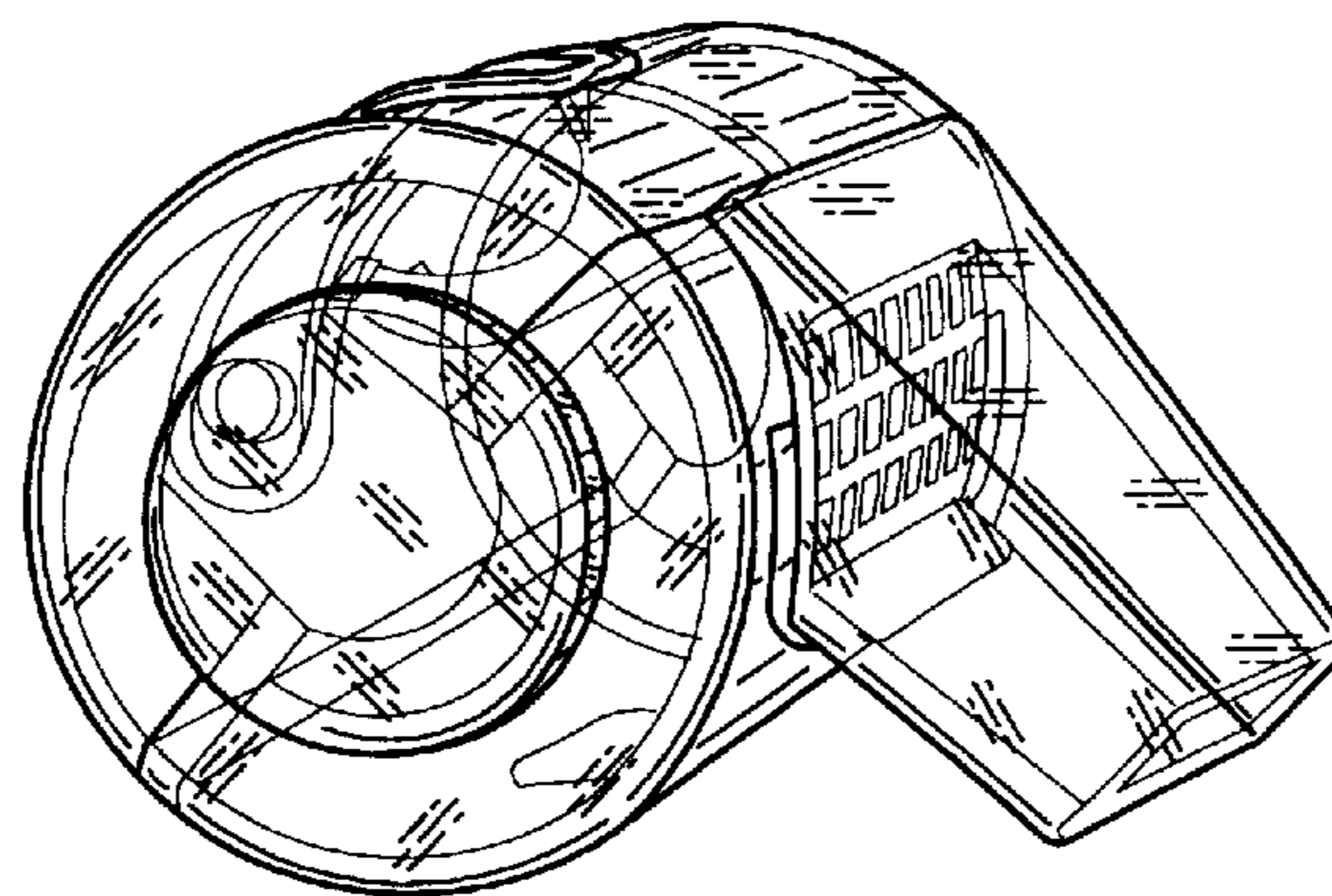


FIG. 18