

US00D514697S

(12) **United States Design Patent** (10) **Patent No.:** **US D514,697 S**  
**D'Annunzio** (45) **Date of Patent:** **\*\* Feb. 7, 2006**

(54) **RING SHANK**

(75) Inventor: **Arthur D'Annunzio**, New York, NY (US)

(73) Assignee: **D'Annunzio Showcase Dealers, Inc.**, New York, NY (US)

(\*\*) Term: **14 Years**

(21) Appl. No.: **29/203,329**

(22) Filed: **Apr. 13, 2004**

(51) **LOC (8) Cl.** ..... **11-01**

(52) **U.S. Cl.** ..... **D24/26; D11/35; D11/38**

(58) **Field of Classification Search** ..... D11/3, D11/26-39, 56; 63/15, 15.1, 15.2, 15.3, 15.4, 63/15.45, 15.5, 15.6, 15.65, 15.7, 15.8, 15.9, 63/26-28

See application file for complete search history.

D140,548 S 3/1945 Klein  
D145,213 S \* 7/1946 Hobe ..... D11/56  
D146,524 S 3/1947 Robbins  
D149,653 S 5/1948 Koven  
D167,120 S 6/1952 Sorrentino  
D170,722 S 10/1953 Sager  
D177,596 S \* 5/1956 Silver ..... D11/26  
D186,990 S 1/1960 Berland  
D203,551 S 1/1966 Tranfield  
3,321,934 A 5/1967 Boyd  
D220,640 S \* 5/1971 Darbo ..... D11/56  
D250,699 S \* 1/1979 Barr ..... D11/56  
D304,697 S \* 11/1989 Crews ..... D11/56  
D364,830 S 12/1995 Roemer  
D377,769 S 2/1997 Roemer

(Continued)

**FOREIGN PATENT DOCUMENTS**

DE 44 25 746 A1 1/1995

**OTHER PUBLICATIONS**

Platinum Guild International USA; Edition X; Sep. 2002; p. 40—middle left side of page.\*

*Primary Examiner*—Cathy Anne MacCormac  
*Assistant Examiner*—Melanie Levy  
(74) *Attorney, Agent, or Firm*—Ohlandt, Greeley, Ruggiero & Perle, L.L.P.

(56) **References Cited**

**U.S. PATENT DOCUMENTS**

72,224 A 12/1867 Palmer  
D12,957 S \* 6/1882 Henrich ..... D11/26  
298,100 A 5/1884 Lee  
D48,232 S 11/1915 Rosenberger  
D48,763 S 3/1916 Roede  
D51,891 S \* 3/1918 Simmons ..... D11/36  
1,325,840 A 12/1919 Feagans  
1,333,284 A 3/1920 Schreiber  
D58,601 S 8/1921 Kreisler  
D60,418 S 2/1922 Kreisler  
D60,495 S 2/1922 Kreisler  
D62,727 S 7/1923 Hodnefield  
D63,993 S \* 2/1924 Brogan ..... D11/35  
D65,362 S 7/1924 Wittstein et al.  
D79,259 S 8/1929 Schaeffer  
1,758,447 A 5/1930 Leibs  
1,936,604 A 11/1933 Moldenhauer  
D109,800 S 5/1938 Foss  
D115,931 S 8/1939 Kronstadt  
2,182,876 A 12/1939 Moldenhaur  
D118,591 S 1/1940 Cohn  
D137,743 S \* 4/1944 Frackman ..... D11/36

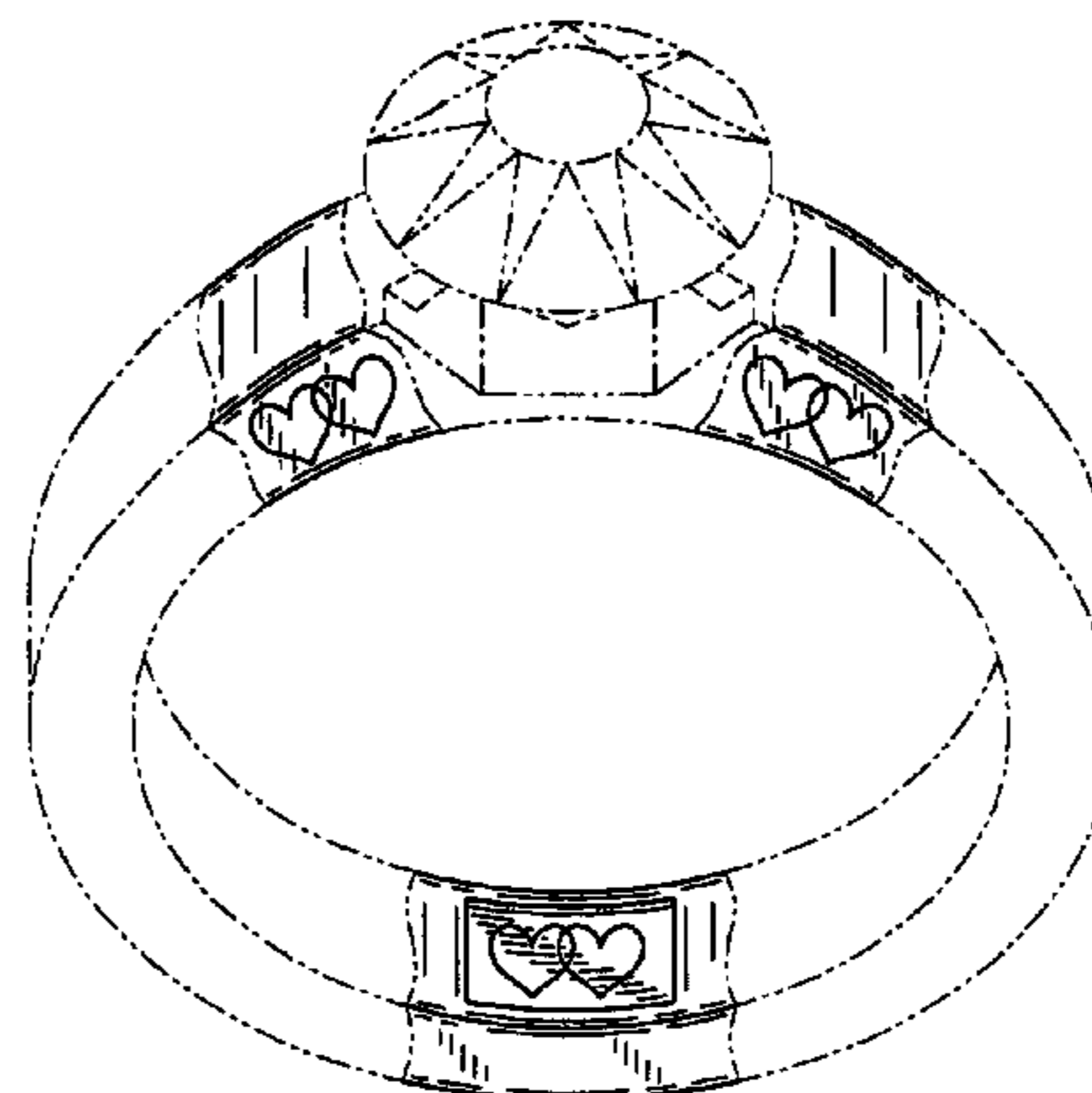
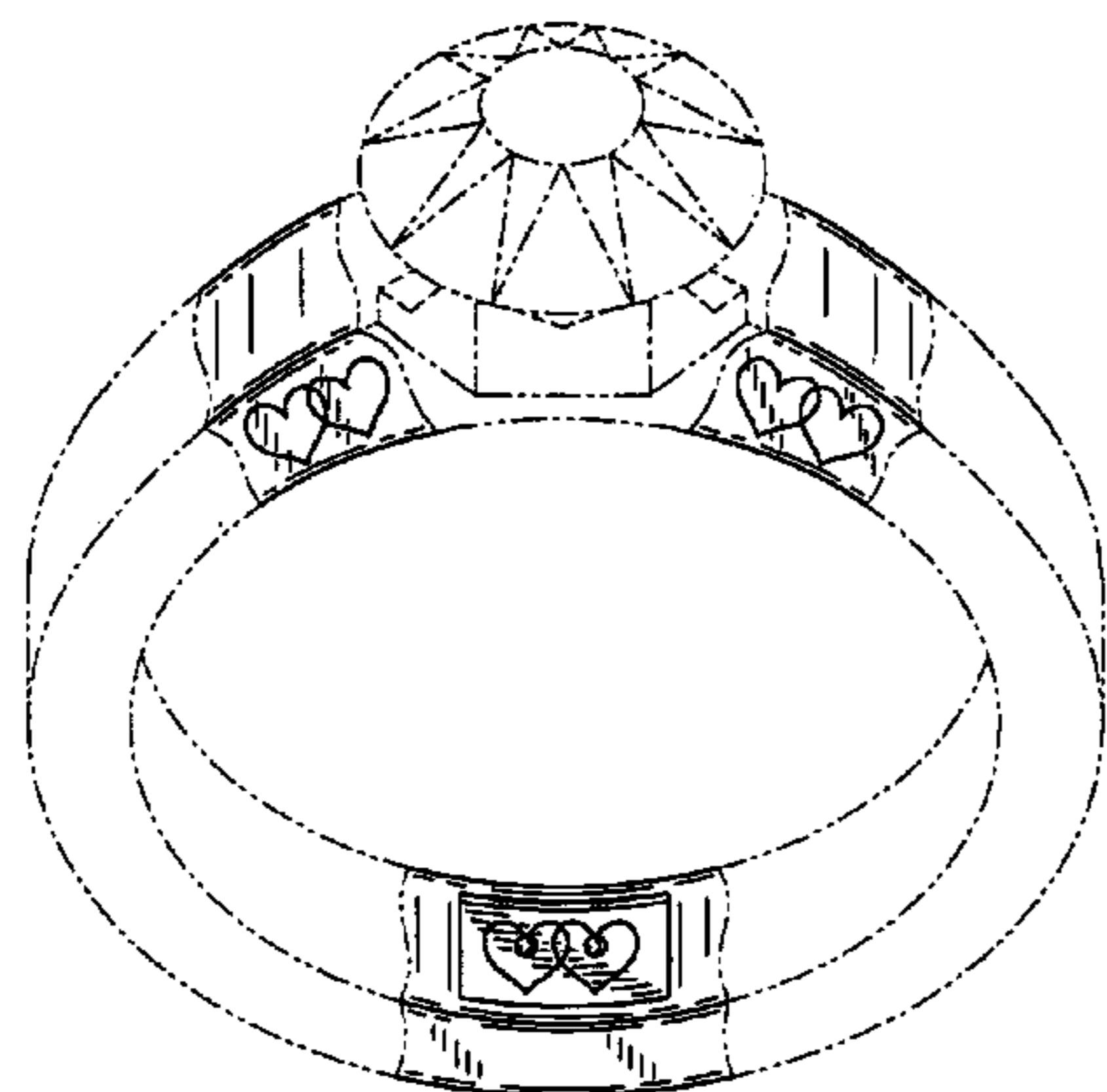
(57) **CLAIM**

The ornamental design for a ring shank, as shown and described.

**DESCRIPTION**

FIG. 1 is a perspective view of a ring shank showing my new design;  
FIG. 2 is a side elevational view thereof;  
FIG. 3 is a perspective view of an alternative embodiment of FIG. 1; and,  
FIG. 4 is a side elevational view of FIG. 3.  
The broken lines in FIGS. 1 through 4 are for illustrative purposes only and form no part of the claimed design.

**1 Claim, 2 Drawing Sheets**



# US D514,697 S

Page 2

---

## U.S. PATENT DOCUMENTS

D377,916 S	2/1997	Roemer		D434,687 S	12/2000	Pasquetti	
D383,410 S	9/1997	Roemer		6,212,908 B1	4/2001	Melas	
5,669,241 A	9/1997	Kohl		D442,509 S	5/2001	Yamanaka	
D390,153 S	* 2/1998	Shenhav	..... D11/56	D443,845 S	* 6/2001	Gruosi	..... D11/26
D393,811 S	4/1998	Morrison		D453,486 S	* 2/2002	Zillig	..... D11/38
D395,256 S	* 6/1998	Udco	..... D11/56	D464,900 S	10/2002	Repossi	
D400,120 S	* 10/1998	Itzkowitz	..... D11/26	D471,837 S	3/2003	Valentini et al.	
D414,132 S	* 9/1999	Ambar	..... D11/30	D472,494 S	4/2003	Valentini et al.	
D415,711 S	* 10/1999	Pasquetti	..... D11/26	6,581,413 B1	6/2003	Kadosh	
5,987,919 A	11/1999	Hooser		D480,321 S	10/2003	Roemer	
D418,078 S	12/1999	Pasquetti		D484,823 S	* 1/2004	Pachachi	..... D11/56
D423,393 S	4/2000	Morris		D488,739 S	* 4/2004	Pachachi	..... D11/56
D431,792 S	10/2000	Ferreira		D490,740 S	* 6/2004	Pluchenik et al.	..... D11/30

\* cited by examiner

