



US00D514694S

(12) **United States Design Patent** (10) **Patent No.:** **US D514,694 S**
Young (45) **Date of Patent:** **** Feb. 7, 2006**

(54) **CEILING FAN BLADE ASSEMBLY**

(75) Inventor: **Stanfield Young**, Garden Grove, CA (US)

(73) Assignee: **Minka Lighting, Inc.**, Corona, CA (US)

(**) Term: **14 Years**

(21) Appl. No.: **29/204,851**

(22) Filed: **May 5, 2004**

(51) **LOC (8) Cl.** **23-04**

(52) **U.S. Cl.** **D23/413**

(58) **Field of Classification Search** D23/377,
D23/379, 385, 413; D26/59, 81-86, 88, 51,
D26/72; 416/5; 362/96

See application file for complete search history.

(56) **References Cited**

U.S. PATENT DOCUMENTS

D328,785 S	*	8/1992	Markwardt	D23/377
D480,465 S		10/2003	Wilson		
D483,474 S	*	12/2003	Young	D23/413
D492,022 S	*	6/2004	Young	D23/377

OTHER PUBLICATIONS

Hampton Bay Ceiling Fans; vol. 1; Spring/Summer 2004; p. 27, Mar. 2004, Home Depot, Inc. USA.

Craftmade 2003 New Products January Update; p. 4, Jan. 2003, Craftmade, Inc. USA.

Home Lighting & Accessories; vol. 87, No. 3; p. 109 (The Oslo Collection), p. 110 (Kitty Hawk) and p. 121 (Voyager), Mar. 2004, The Oslo Collection by Ellington Fans; Kitty Hawk Ceiling Fan by Emerson Fans; Voyager by Concord Fans.

Expo Design Center Advertisement; Hampton Bay Gallery Cessna Ceiling Fan; p. 299, Apr. 2004, Home Depot, Inc. USA.

* cited by examiner

Primary Examiner—Lisa Lichtenstein

(74) *Attorney, Agent, or Firm*—Baker & McKenzie LLP

(57) **CLAIM**

The ornamental design for a ceiling fan blade assembly, as shown and described.

DESCRIPTION

FIG. 1 is a perspective view from below of a ceiling fan blade assembly in accordance with my design, including the environment thereof;

FIG. 2 is a perspective view from below of the ceiling fan blade assembly in accordance with my design, including the environment thereof;

FIG. 3 is a front elevation view of a ceiling fan blade assembly in accordance with my design, including the environment thereof;

FIG. 4 is a side elevation view of a ceiling fan blade assembly in accordance with my design, including the environment thereof;

FIG. 5 is a bottom plan view of a ceiling fan blade assembly in accordance with my design, including the environment thereof;

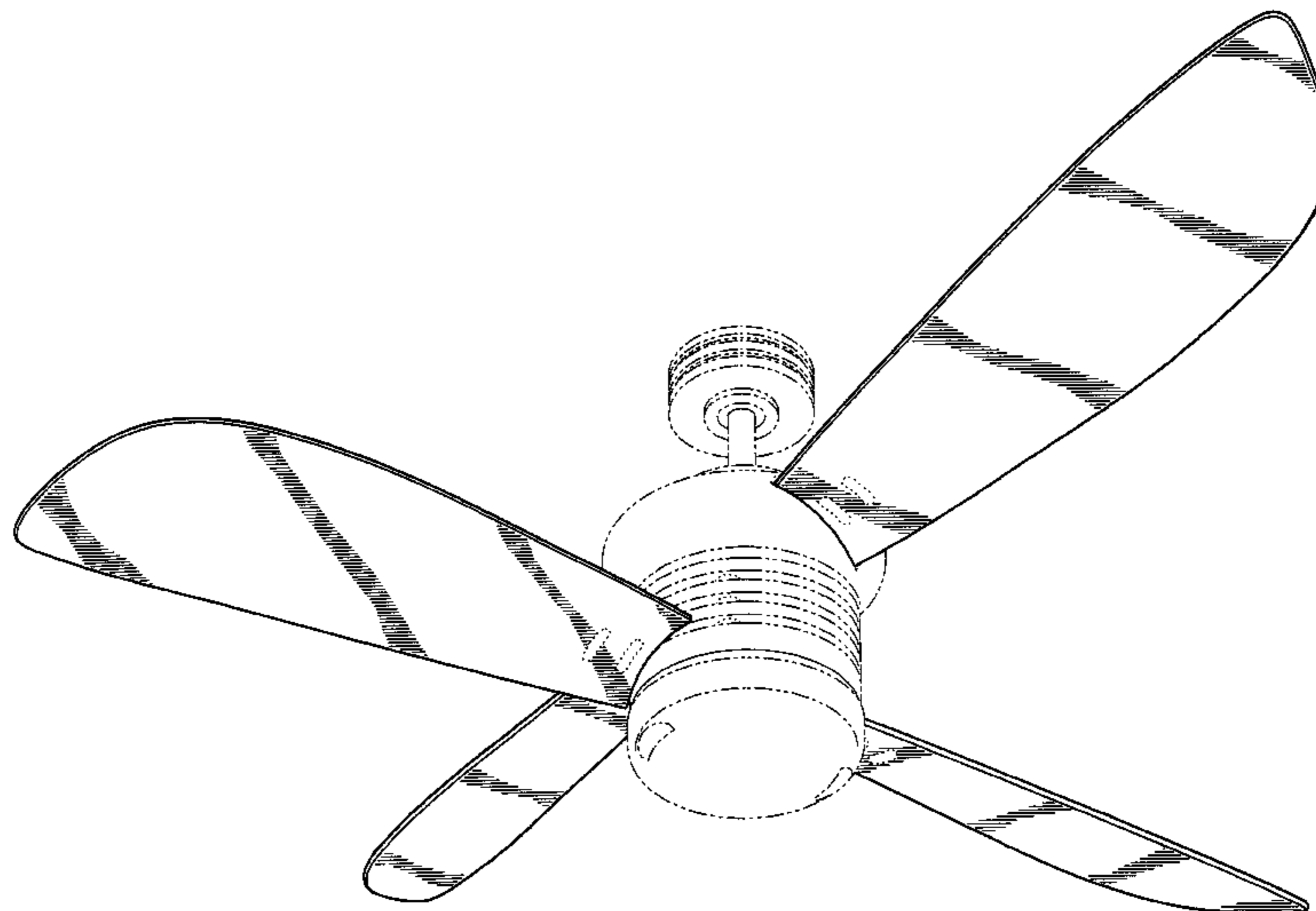
FIG. 6 is a front elevation view of a ceiling fan blade assembly in accordance with my design, including the environment thereof; and,

FIG. 7 is a side elevation view of a ceiling fan blade assembly in accordance with my design, including the environment thereof.

FIGS. 3, 4, 6 and 7 are identical except for the positioning of the fan blades.

The broken lines showing environmental structure are for illustrative purposes and form no part of the claimed design.

1 Claim, 6 Drawing Sheets



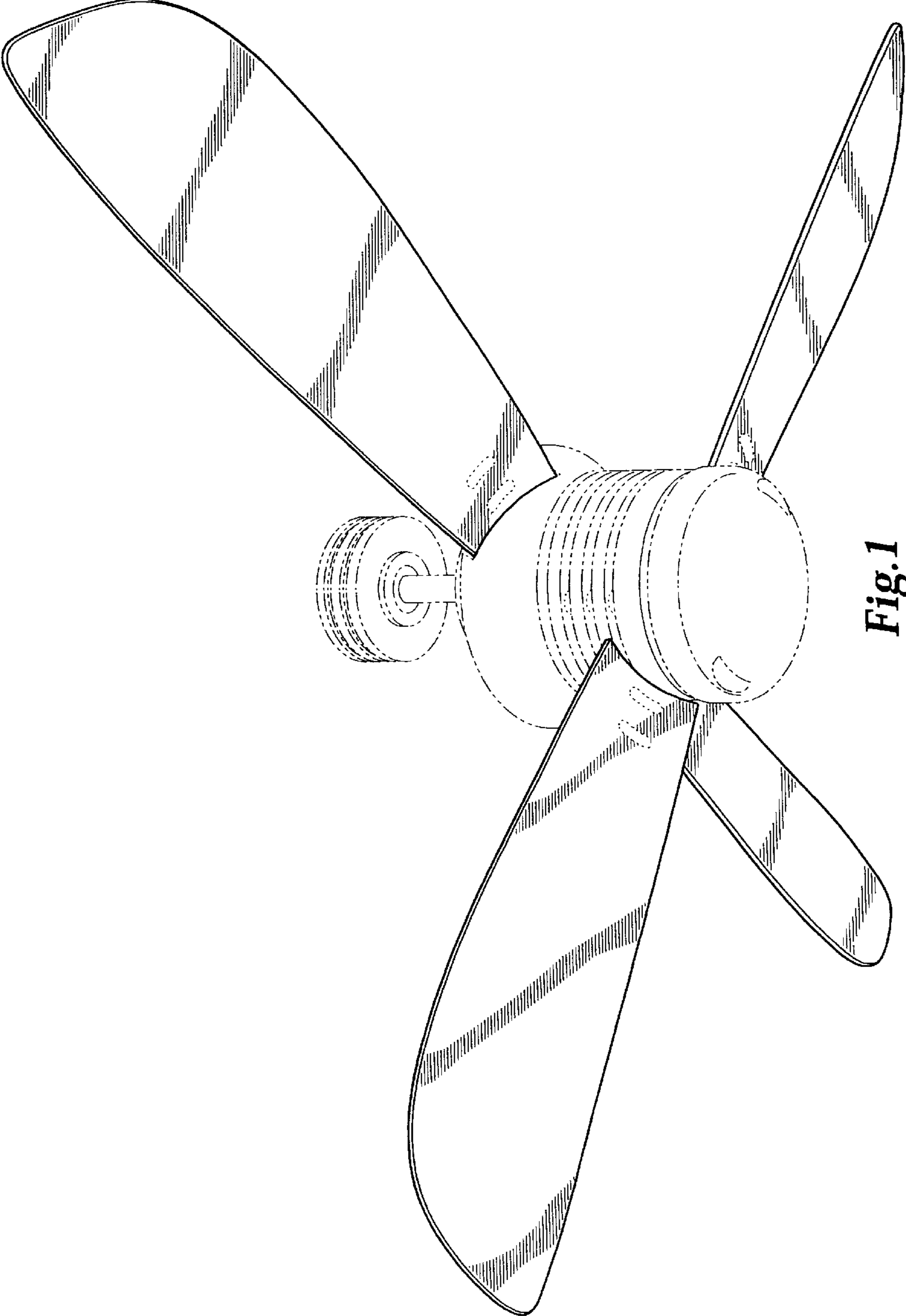


Fig. 1

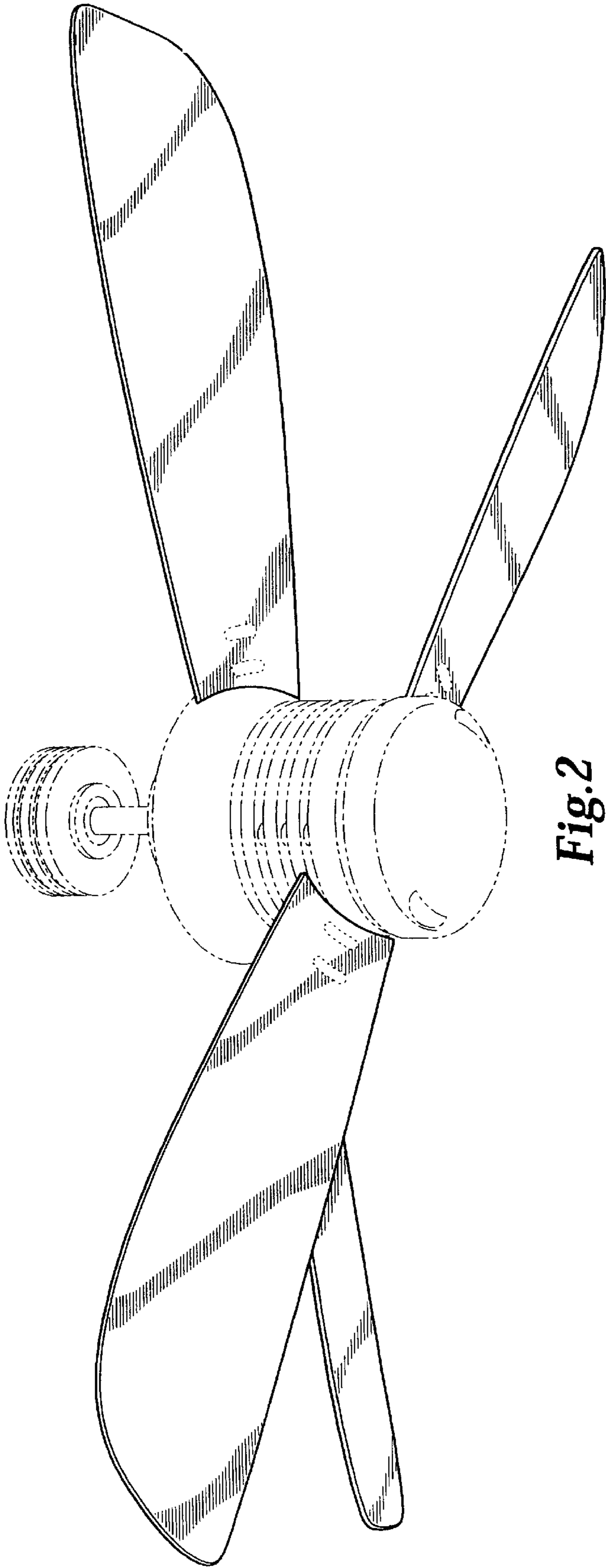


Fig. 2

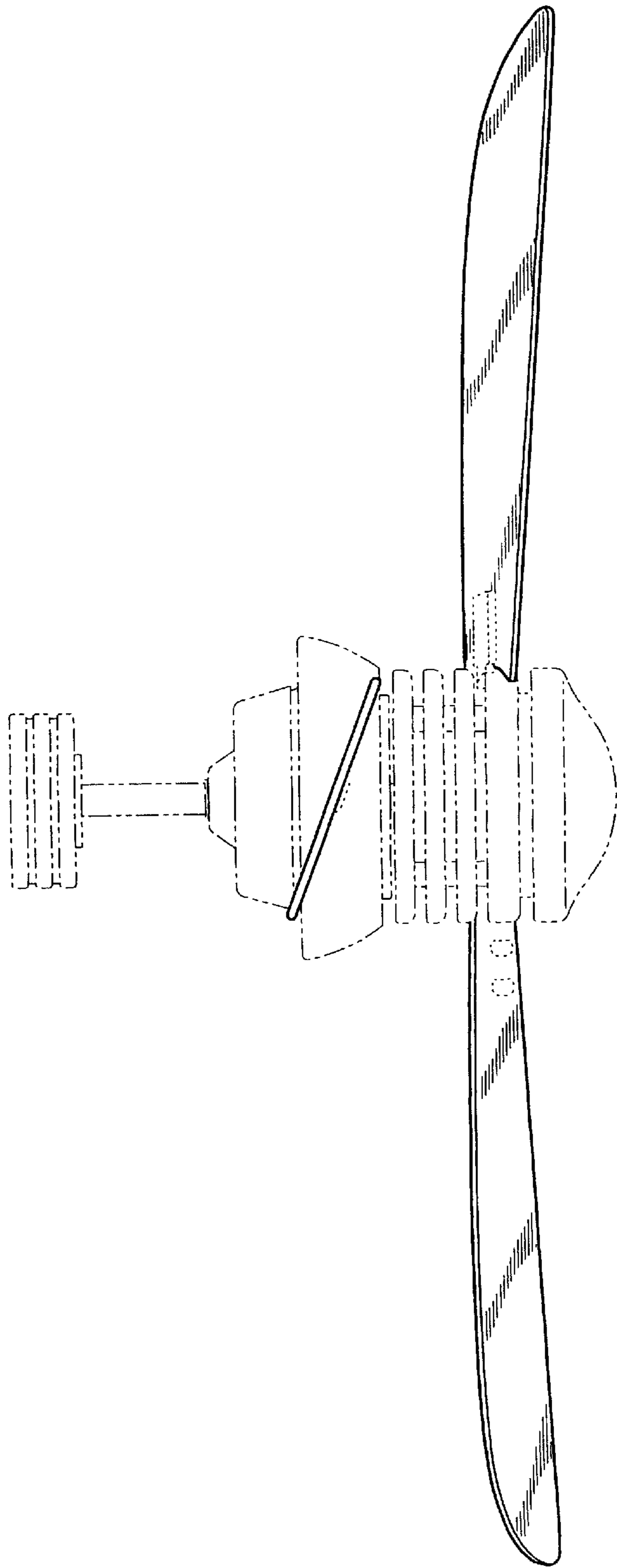


Fig.3

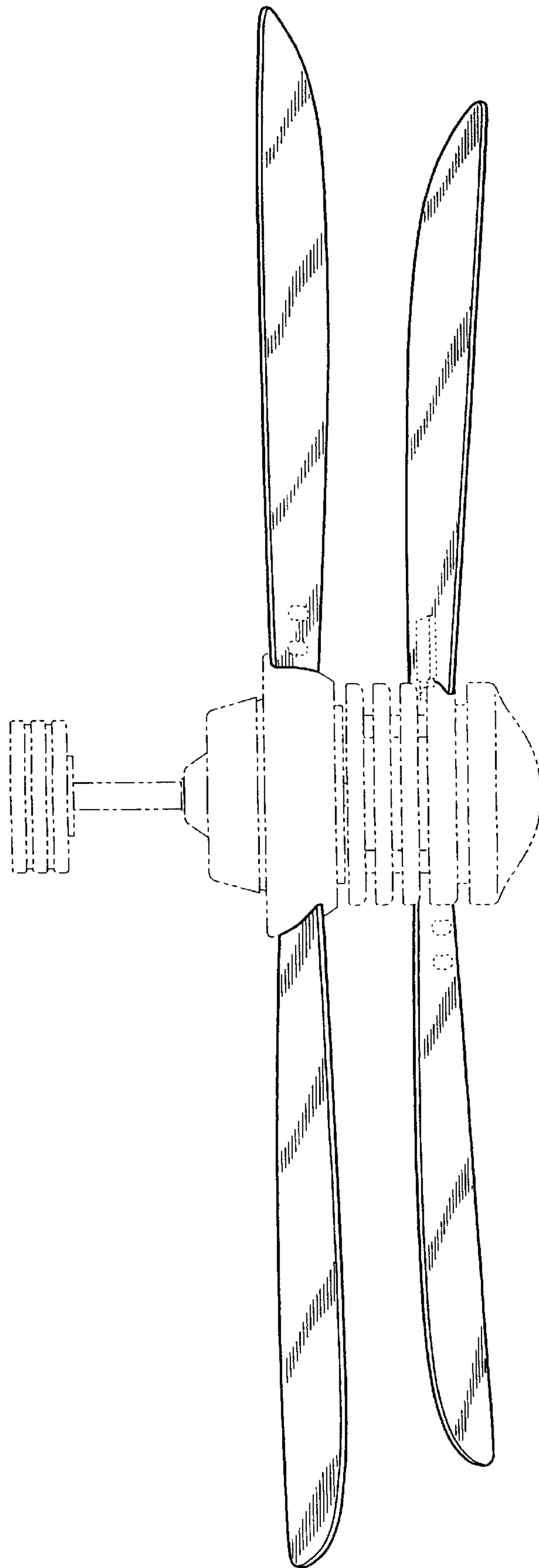


Fig. 4

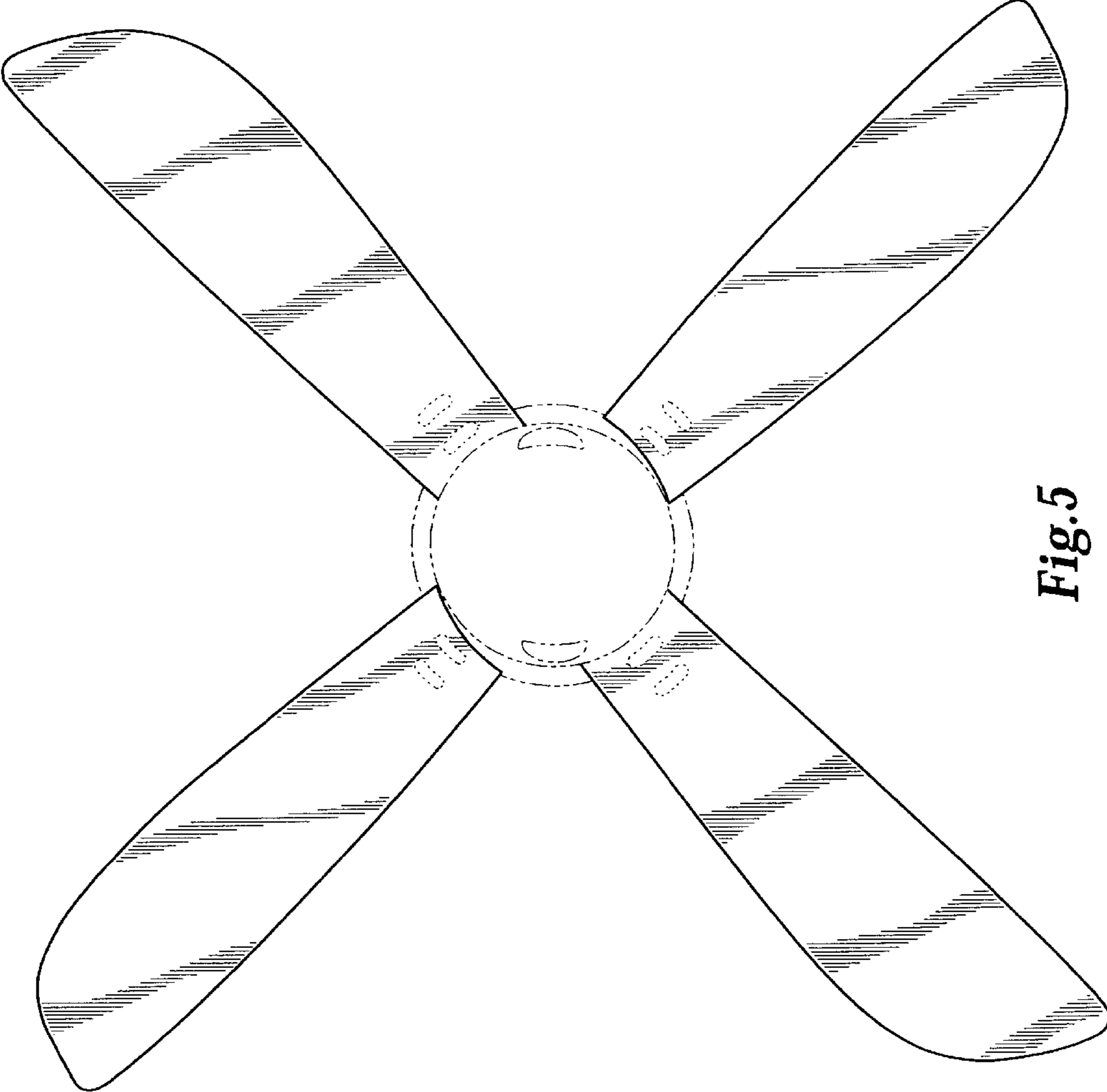


Fig. 5

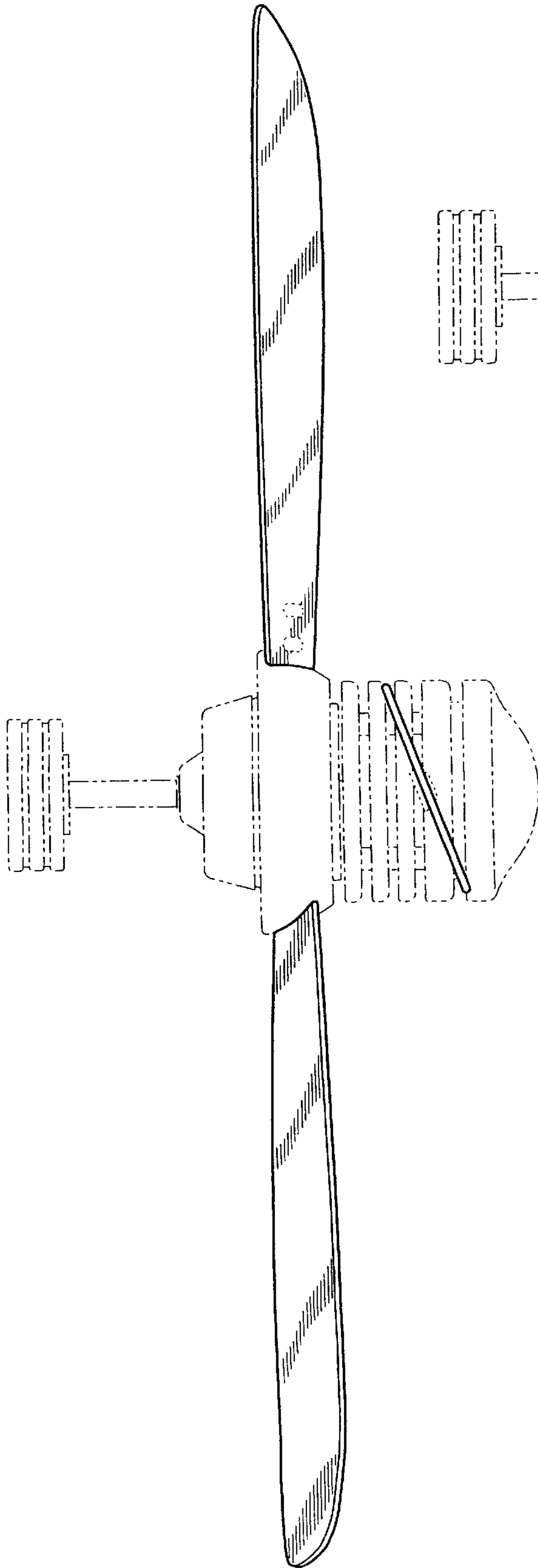


Fig. 6

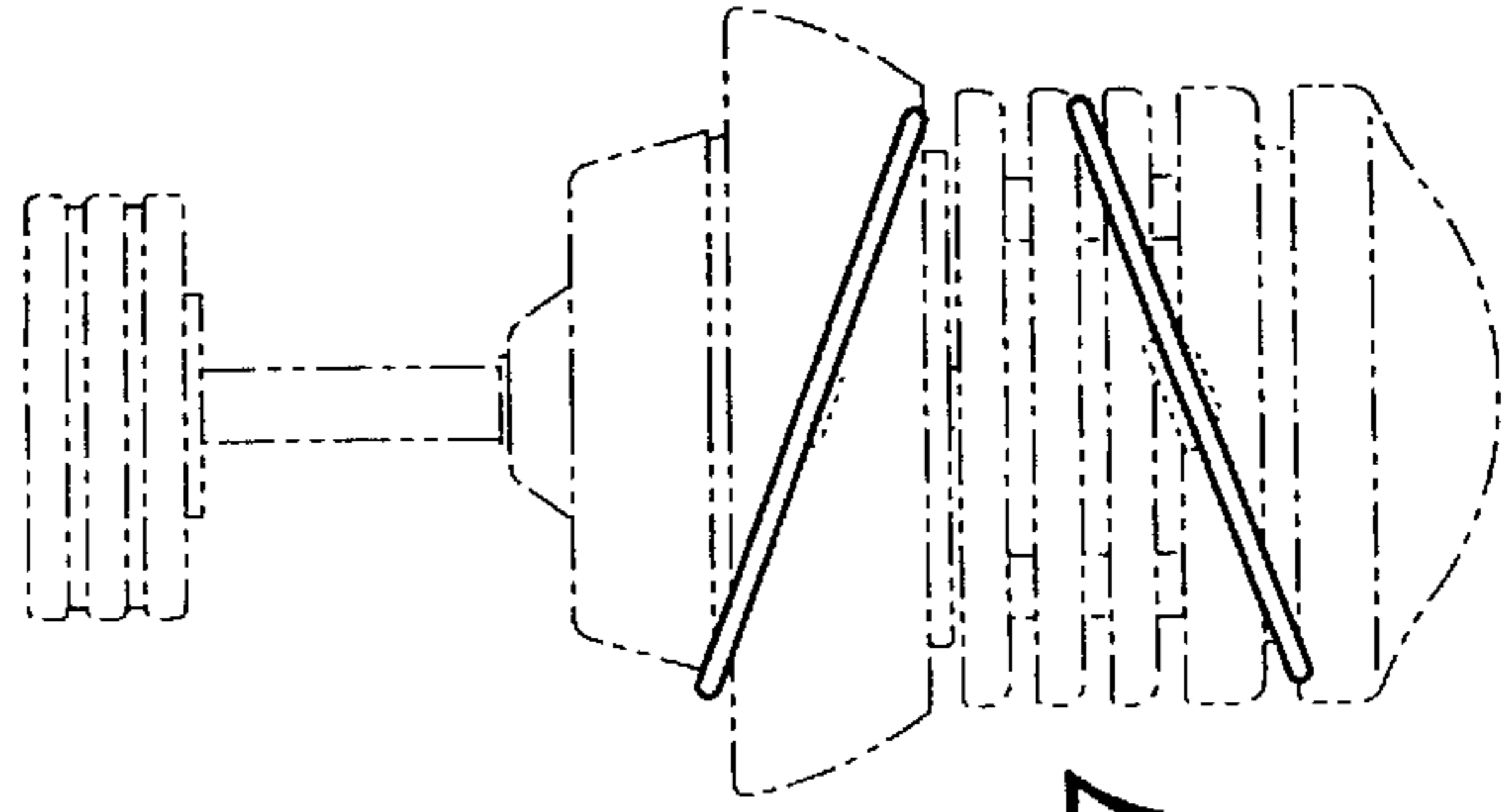


Fig. 7