



US00D514690S

(12) **United States Design Patent** (10) **Patent No.:** **US D514,690 S**
Flores (45) **Date of Patent:** **** Feb. 7, 2006**

- (54) **CEILING FAN BLADE IRON**
- (75) Inventor: **Miguel Flores**, Riverside, CA (US)
- (73) Assignee: **Minka Lighting, Inc.**, Corona, CA (US)
- (**) Term: **14 Years**
- (21) Appl. No.: **29/211,391**
- (22) Filed: **Aug. 16, 2004**
- (51) **LOC (8) Cl.** **23-04**
- (52) **U.S. Cl.** **D23/411**
- (58) **Field of Classification Search** D23/377,
D23/379, 385, 411, 413; 416/5; 392/364;
D26/59, 81–88, 72; 362/96
See application file for complete search history.

(56) **References Cited**

U.S. PATENT DOCUMENTS

| | | | | | |
|------------|---|---------|---------------|-------|---------|
| D392,033 S | * | 3/1998 | Jaspers-Fayer | | D23/377 |
| D396,101 S | * | 7/1998 | Jaspers-Fayer | | D23/377 |
| D402,026 S | * | 12/1998 | Chuang et al. | | D23/377 |
| D476,410 S | * | 6/2003 | Young | | D23/411 |
| D484,233 S | * | 12/2003 | Bucher et al. | | D23/377 |

OTHER PUBLICATIONS

Minka Aire; The Art of Air Management; Jan. 2000; Churchill Model; pp. 16–17.
Minka Aire; The Art of Air Management; Jan. 2000; Clas-sique Model; pp. 20–21.
Minka Aire; The Art of Air Management; Jan. 2002; Chantal Model; pp. 34–35.
Minka Aire; The Art of Air Management; Jan. 2004; Napoli Model; pp. 30–31.

Home Lighting & Accessories; Jun. 2004; Summer Collec-tions/Savoy House Model; pp. 50–51.
Item No. 839142ST; Iron Pendant Similar Iron Scrollwork; Fine Art Lamps 2003.
Item No. Unknown; Similar Carved Scrollwork; from Mon-taage Vini Collection; Montage 2003.

* cited by examiner

Primary Examiner—Lisa Lichtenstein

(74) *Attorney, Agent, or Firm*—Baker & McKenzie LLP

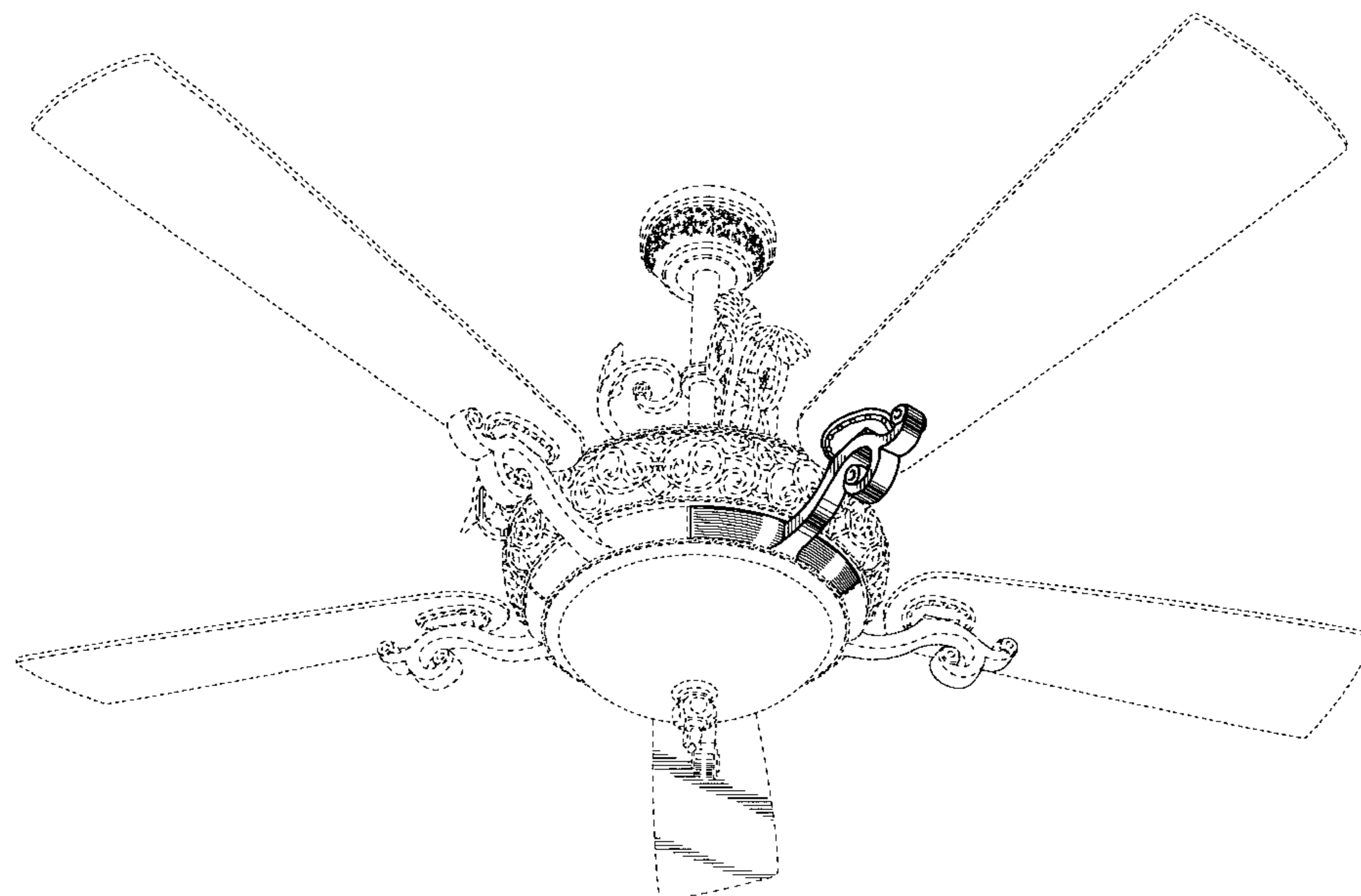
(57) **CLAIM**

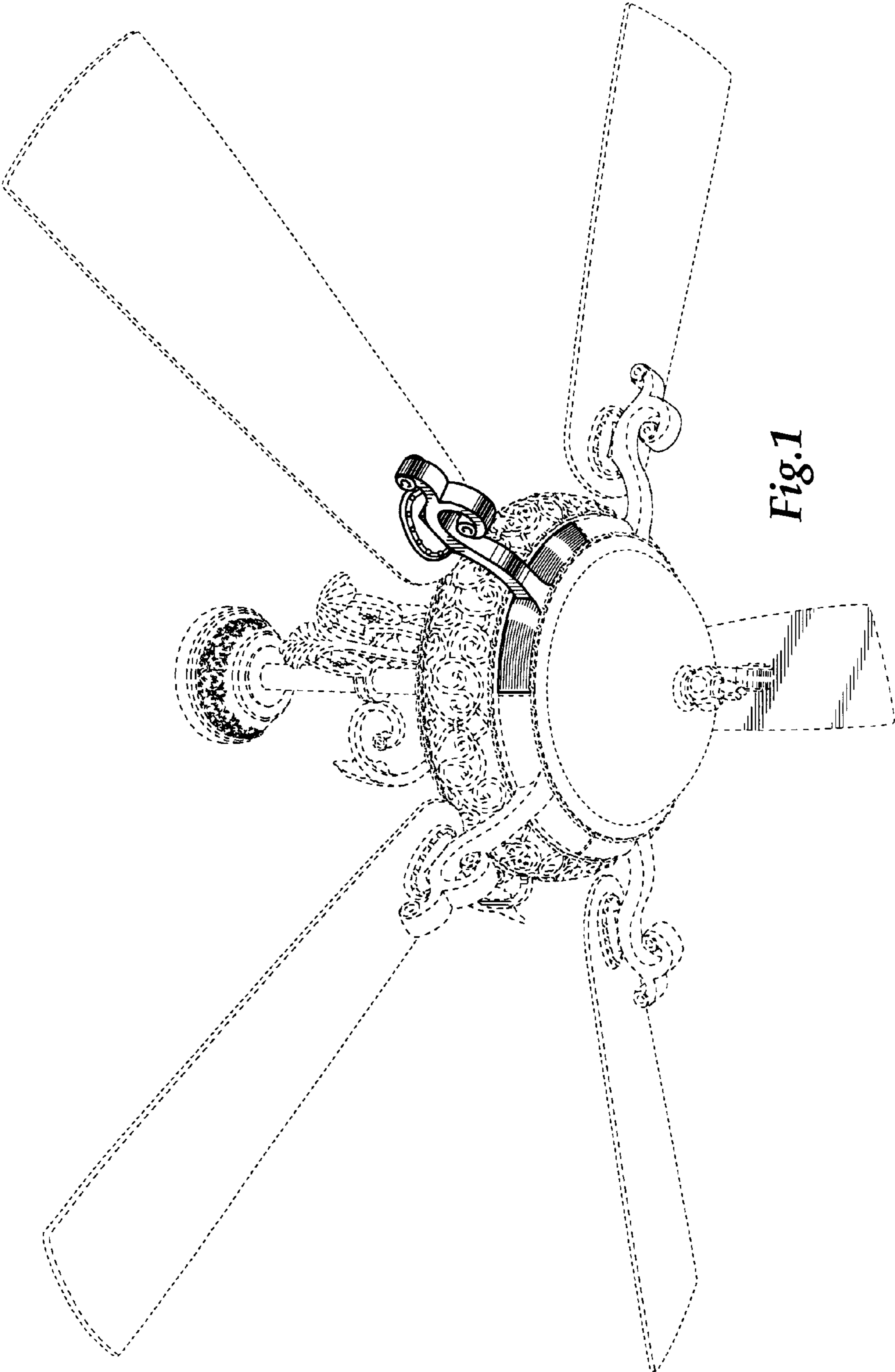
The ornamental design for the ceiling fan blade iron, as shown and described.

DESCRIPTION

FIG. 1 is a perspective view from below of a ceiling fan blade iron in accordance with my design, including the environment thereof;
FIG. 2 is a perspective view of a ceiling fan blade iron in accordance with my design, including the environment thereof;
FIG. 3 is a perspective view of the ceiling fan blade iron in accordance with my design;
FIG. 4 is a proximal view of the ceiling fan blade iron in accordance with my design;
FIG. 5 is an enlarged top plan view of the ceiling fan blade iron in accordance with my design;
FIG. 6 is an enlarged bottom plan view of the ceiling fan blade iron in accordance with my design; and,
FIG. 7 is a side elevation view of the ceiling fan blade iron in accordance with my design the opposite side being a mirror image of that shown.
The broken lines showing environmental structure are for illustrative purposes and form no part of the claimed design.

1 Claim, 3 Drawing Sheets





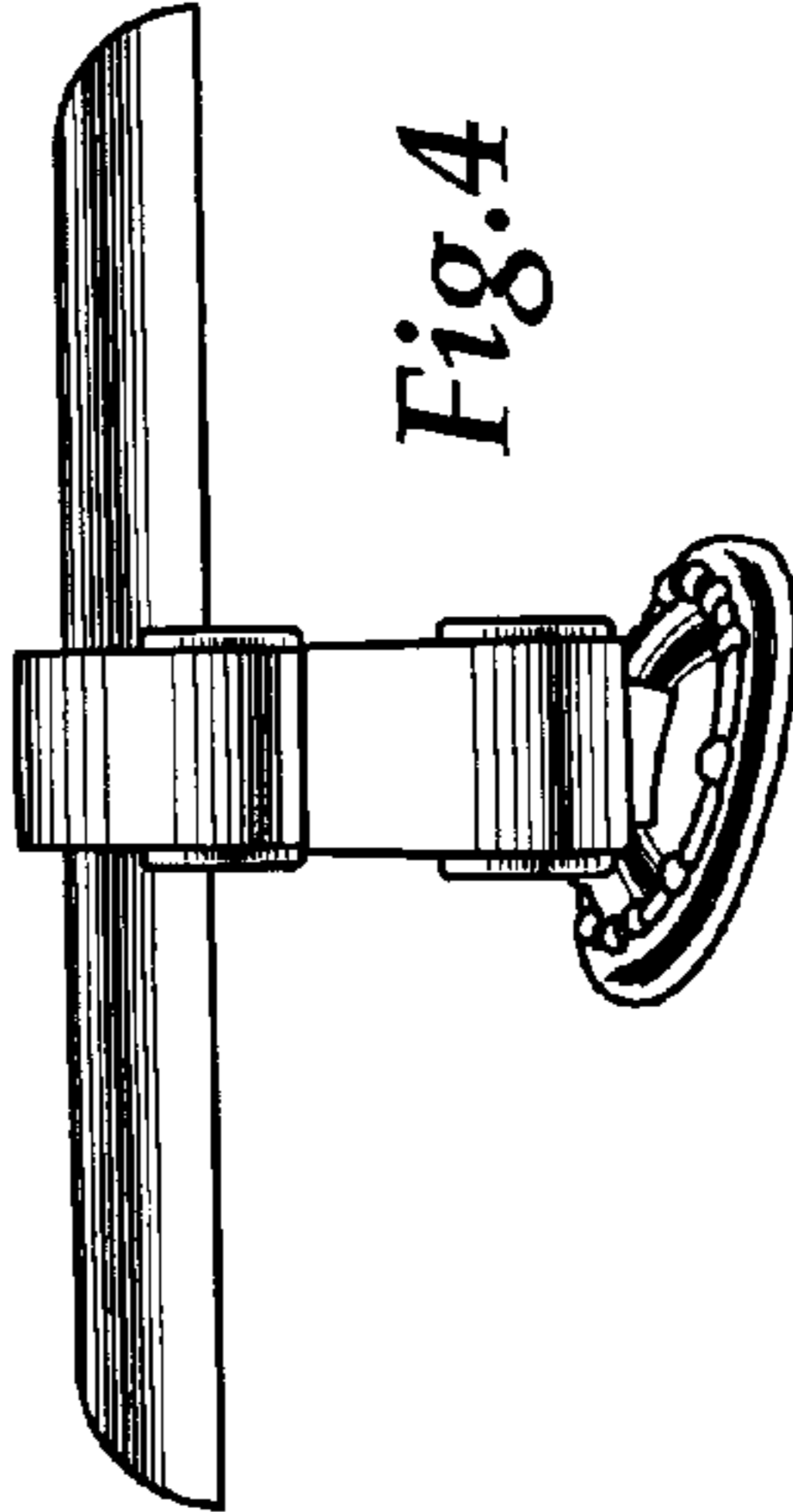
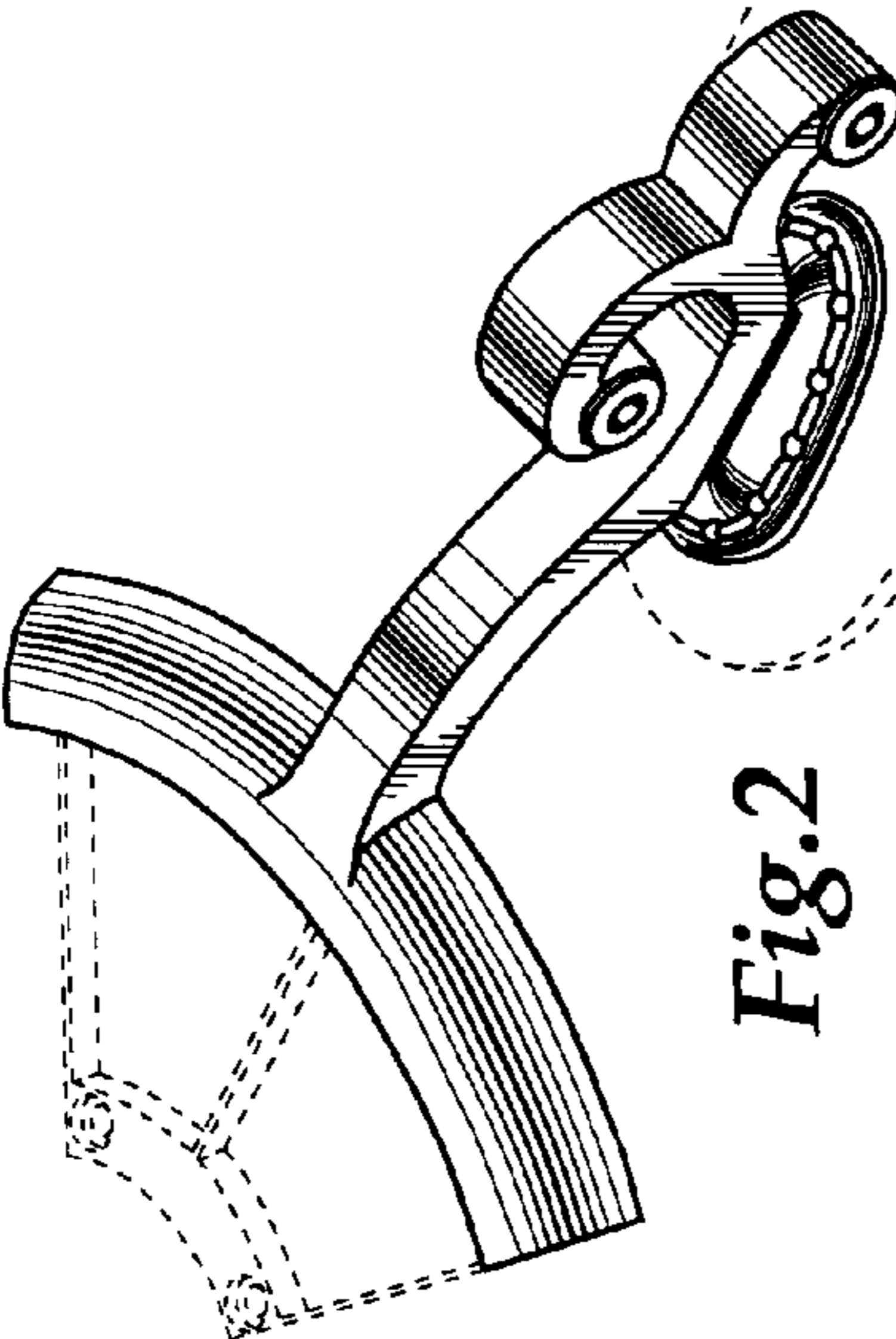
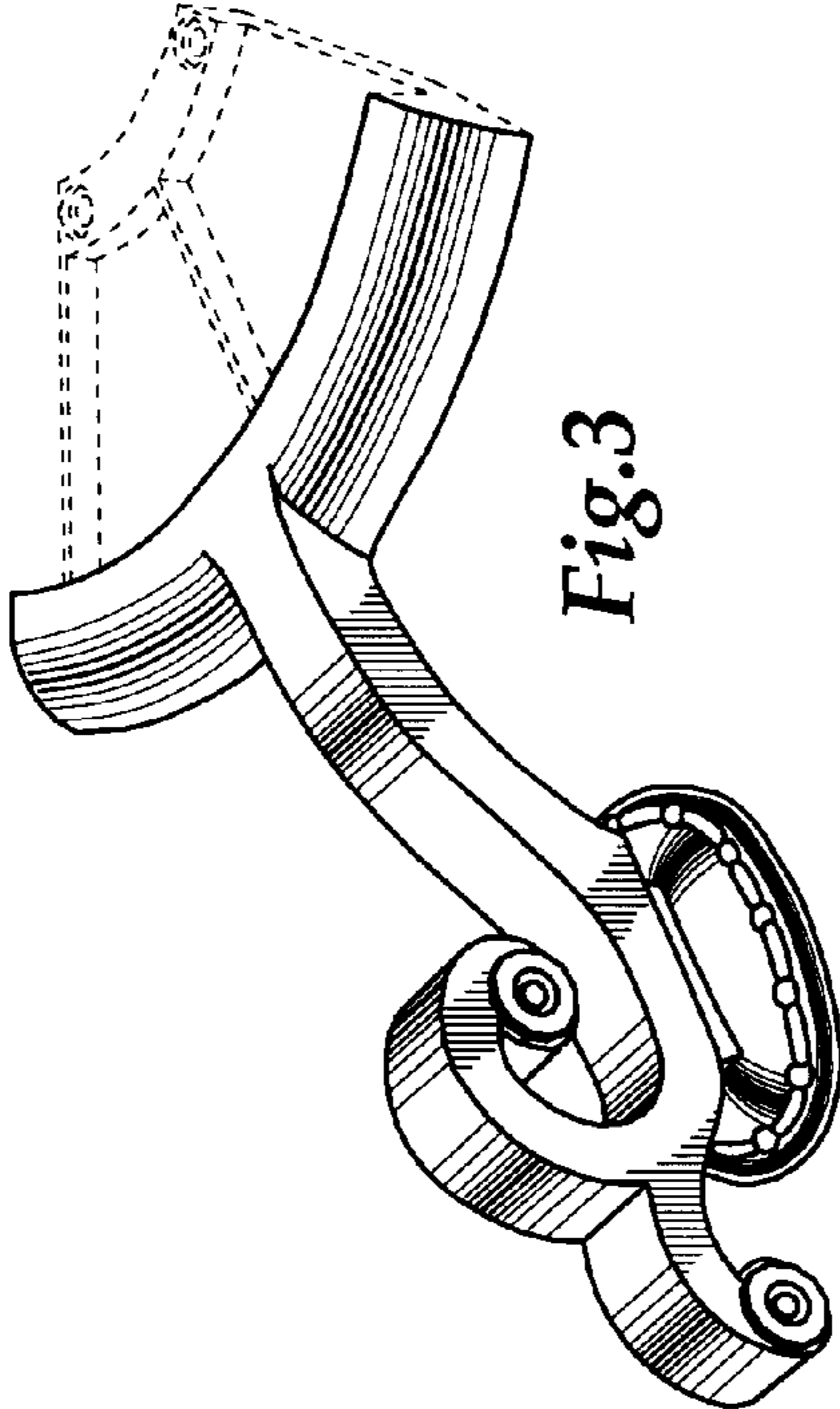


Fig.3

Fig.2

Fig.4

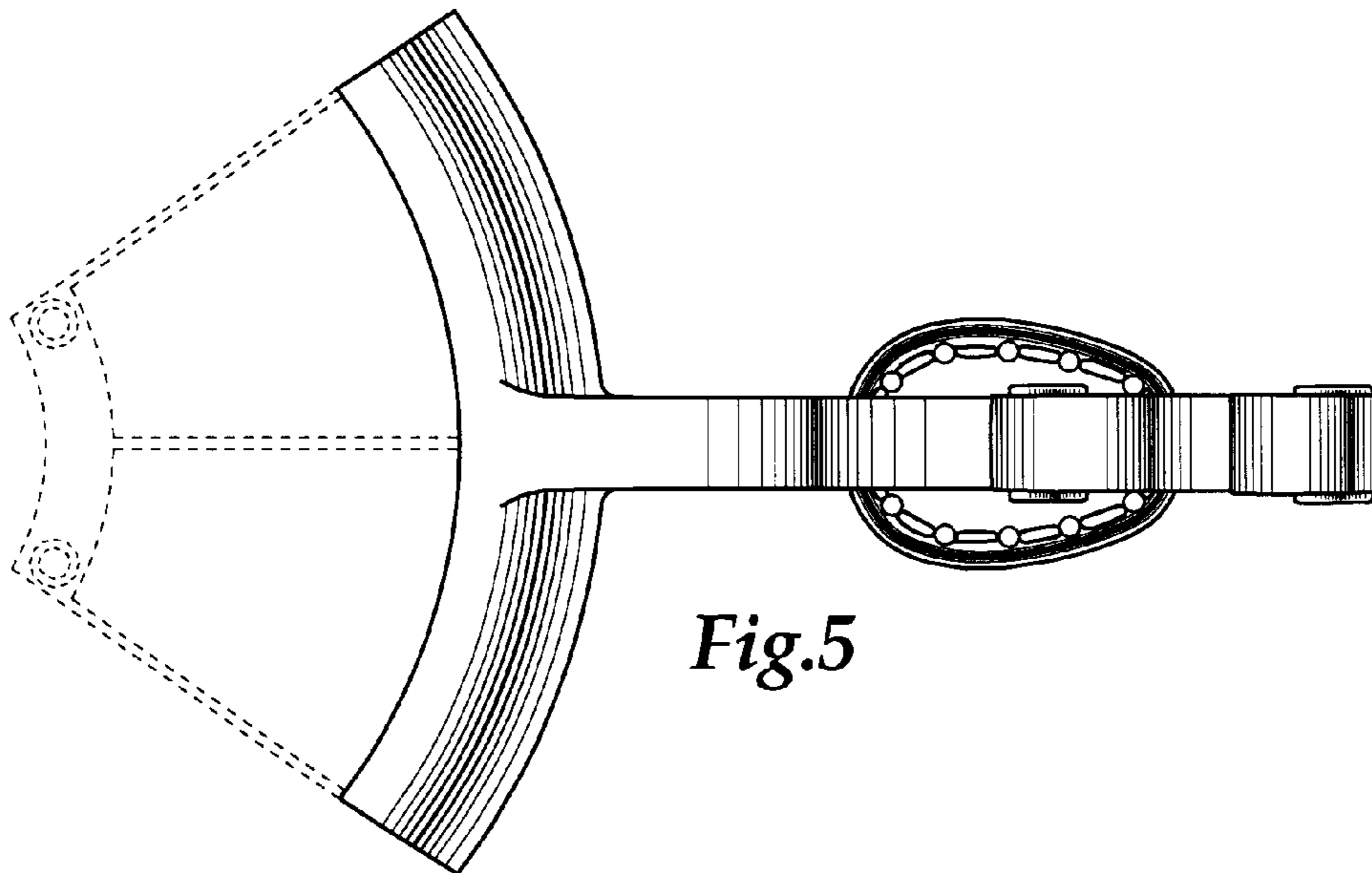


Fig.5

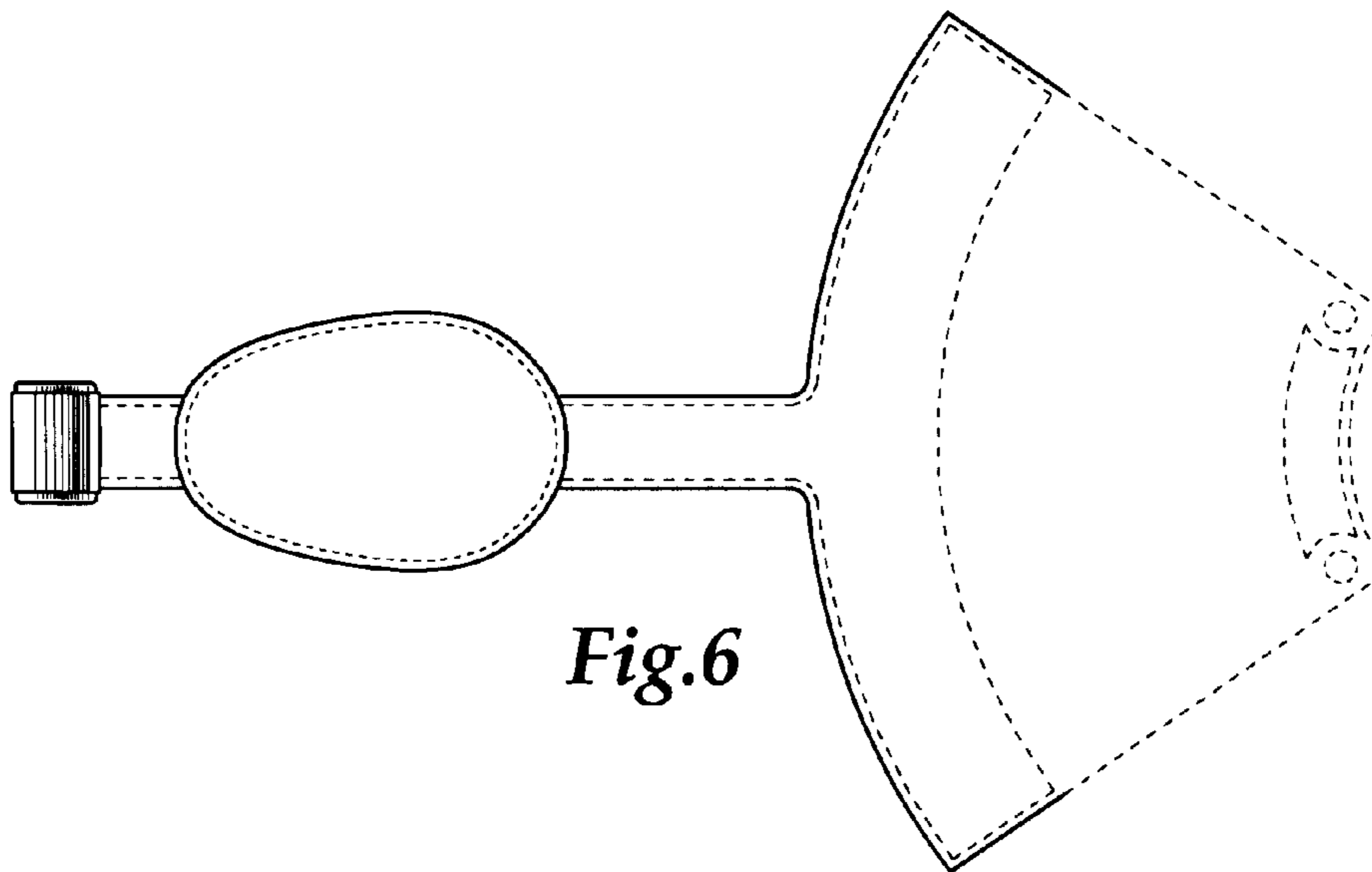


Fig.6

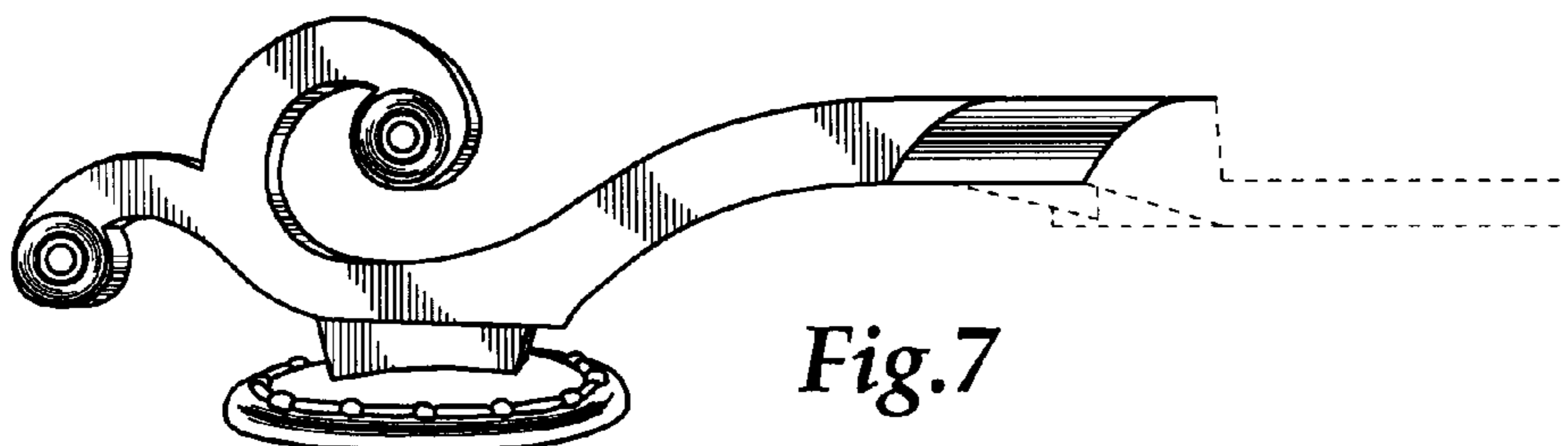


Fig.7