



US00D514689S

(12) **United States Design Patent**
Gajewski

(10) **Patent No.:** **US D514,689 S**

(45) **Date of Patent:** **** Feb. 7, 2006**

(54) **PORTION OF A CEILING FAN HOUSING**

(75) Inventor: **Mark Gajewski**, Avila Beach, CA (US)

(73) Assignee: **Minka Lighting, Inc.**, Corona, CA (US)

(**) Term: **14 Years**

(21) Appl. No.: **29/210,407**

(22) Filed: **Jul. 30, 2004**

(51) **LOC (8) Cl.** **23-04**

(52) **U.S. Cl.** **D23/411**

(58) **Field of Classification Search** D23/377,
D23/379, 385, 411, 413; 362/96; 416/5; D26/59,
D26/51, 72, 81-86

See application file for complete search history.

(56) **References Cited**

U.S. PATENT DOCUMENTS

D346,439 S	*	4/1994	Liu	D23/377
D346,858 S	*	5/1994	Lee	D23/377
D421,797 S	*	3/2000	Collmar	D23/377
D450,831 S	*	11/2001	Hsieh	D23/377

OTHER PUBLICATIONS

Minka Aire 2004; pp. 4-5, Jan. 2004, Minka Lighting, Inc. USA.

Minka Aire 2004; pp. 50-51, Jan. 2004, Minka Lighting, Inc. USA.

Model MF60X, Jun. 11, 2004, The Modern Fan Co.

Cirrus Hugger/ MF30X, Jun. 11, 2004, The Modern Fan Co.
Ball/ MF110X, Jun. 11, 2004, The Modern Fan Co.

* cited by examiner

Primary Examiner—Lisa Lichtenstein

(74) *Attorney, Agent, or Firm*—Baker & McKenzie LLP

(57) **CLAIM**

The ornamental design for the portion of a ceiling fan housing, as shown and described.

DESCRIPTION

FIG. 1 is a perspective view from below of a portion of a ceiling fan housing in accordance with my design;

FIG. 2 is an enlarged perspective view from below of the portion of a ceiling fan housing in accordance with my design;

FIG. 3 is a reduced bottom plan view of the portion of a ceiling fan housing in accordance with my design;

FIG. 4 is a reduced top plan view of the portion of a ceiling fan housing in accordance with my design;

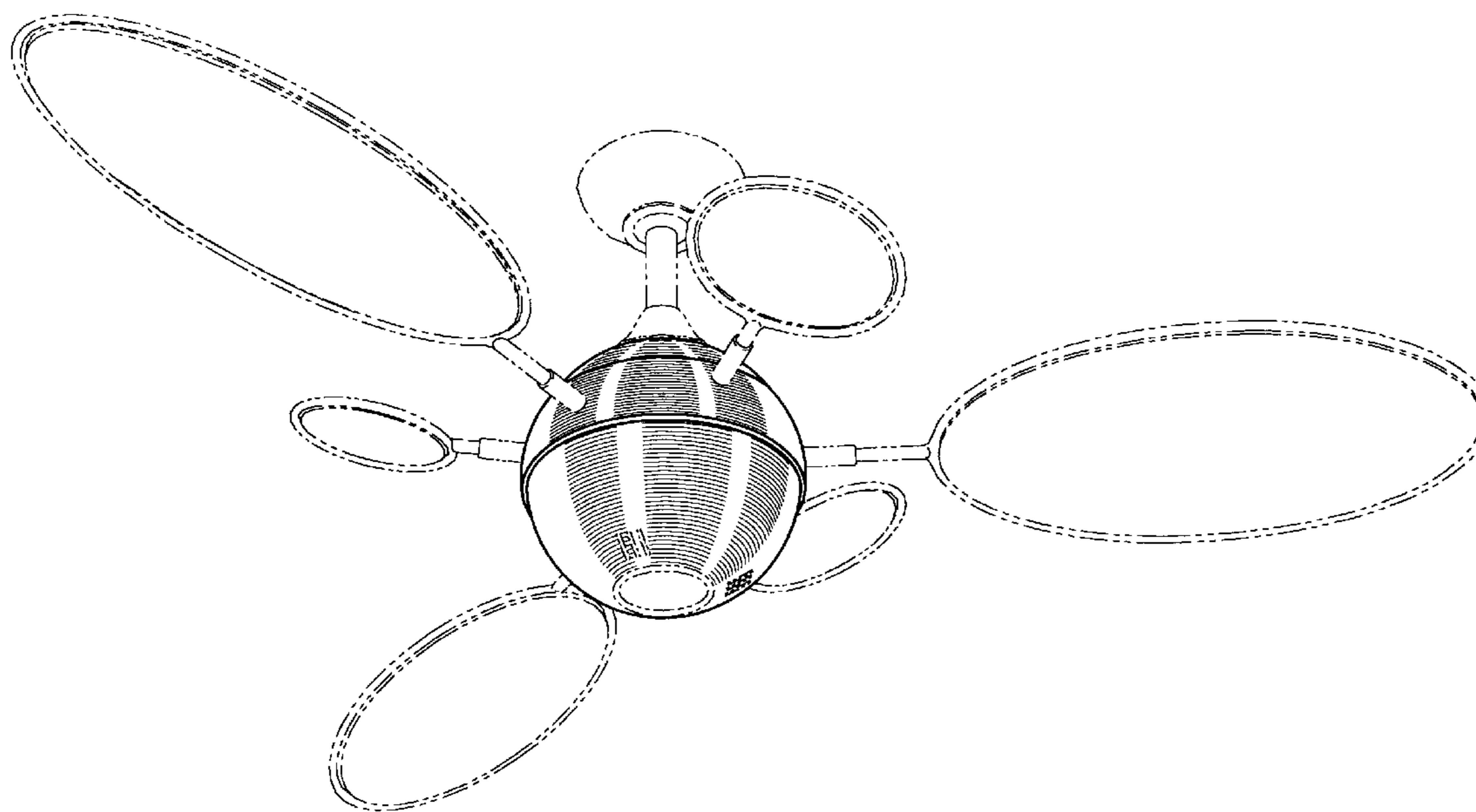
FIG. 5 is a front elevation view of the portion of a ceiling fan housing in accordance with my design; and,

FIG. 6 is a side elevation view of the portion of a ceiling fan housing in accordance with my design the opposite side being a mirror image of that shown.

FIGS. 5 and 6 are identical except for the positioning of the fan blades.

The broken lines showing environmental structure are for illustrative purposes and form no part of the claimed design.

1 Claim, 6 Drawing Sheets



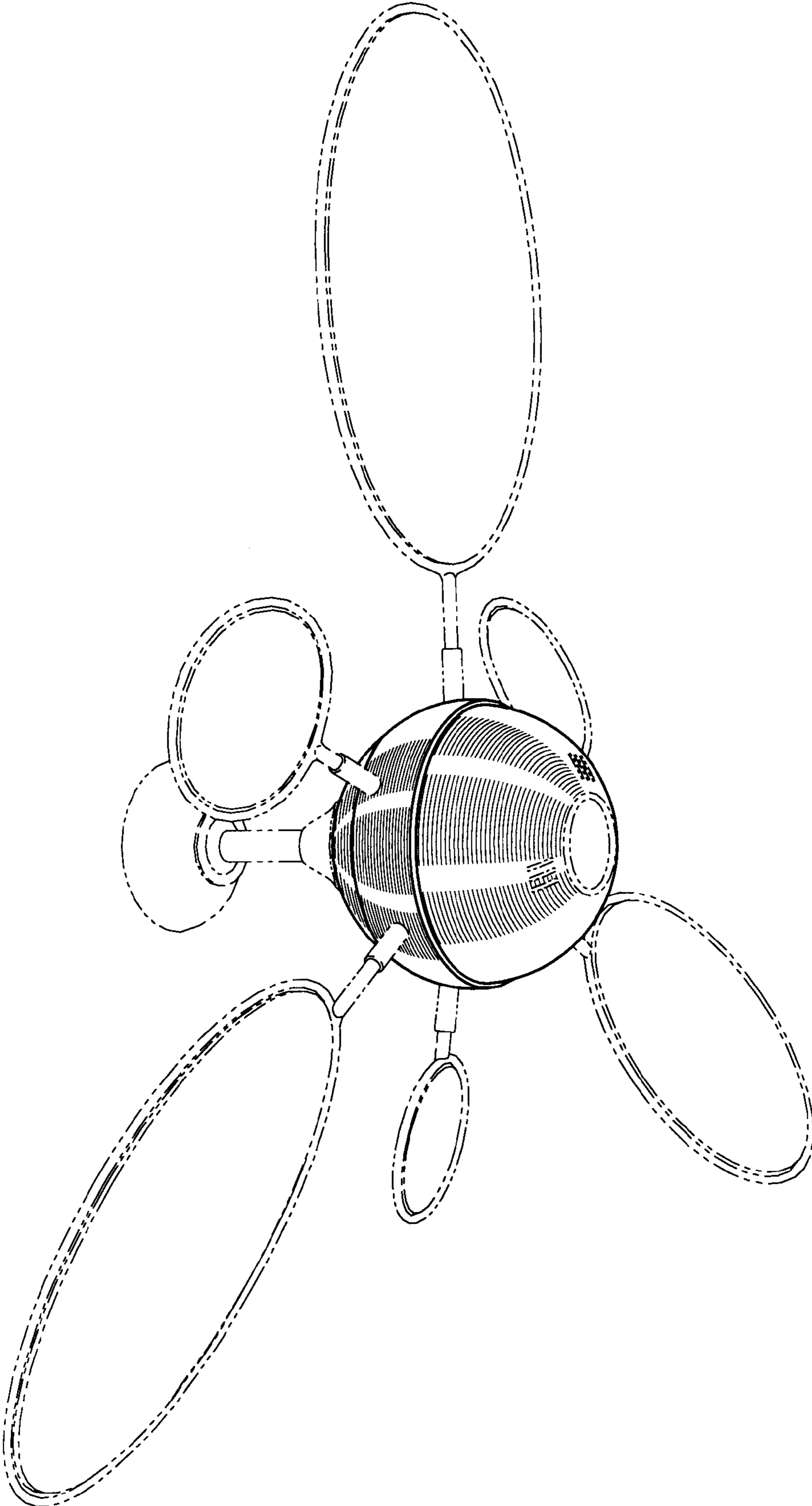


Fig.1

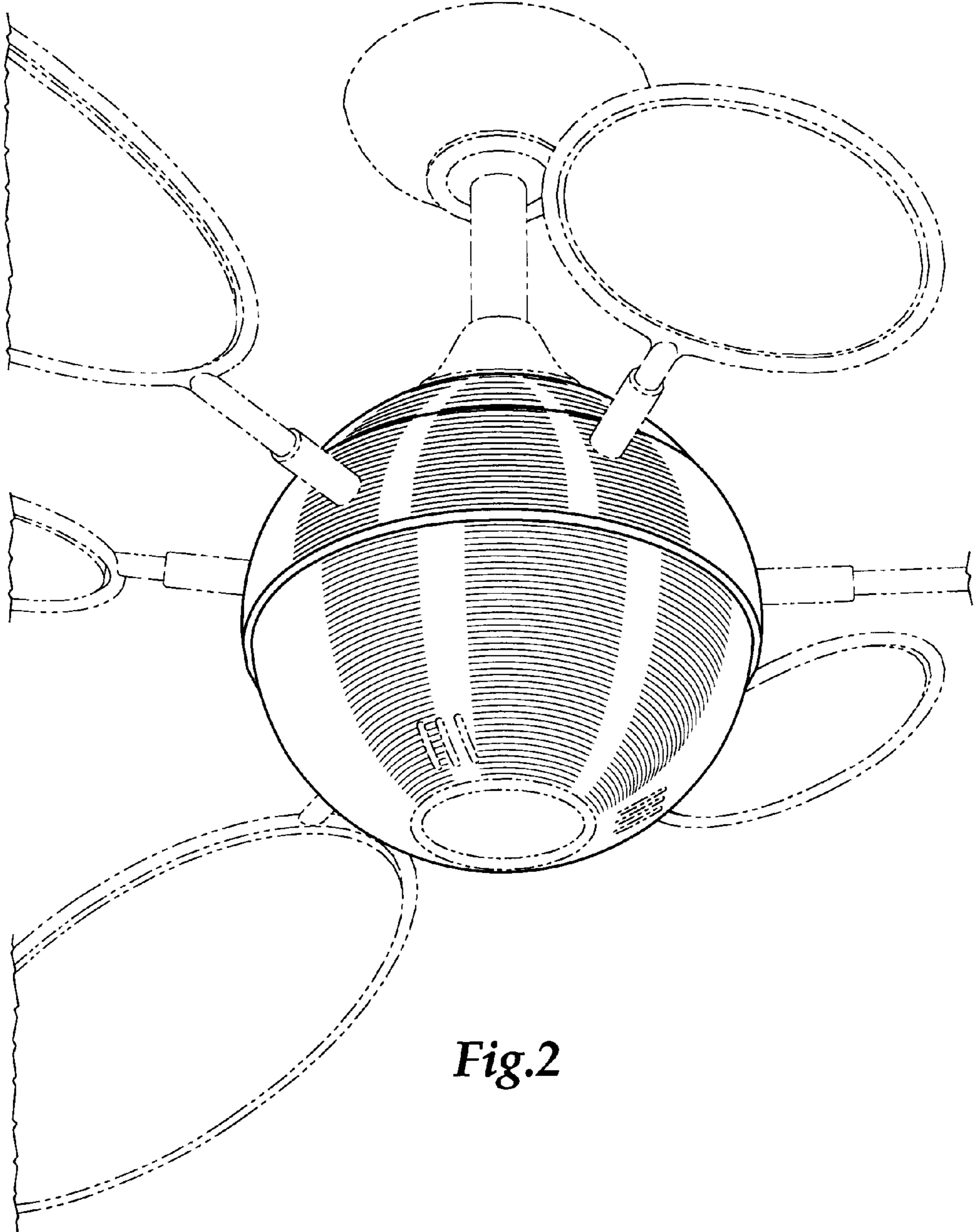


Fig.2

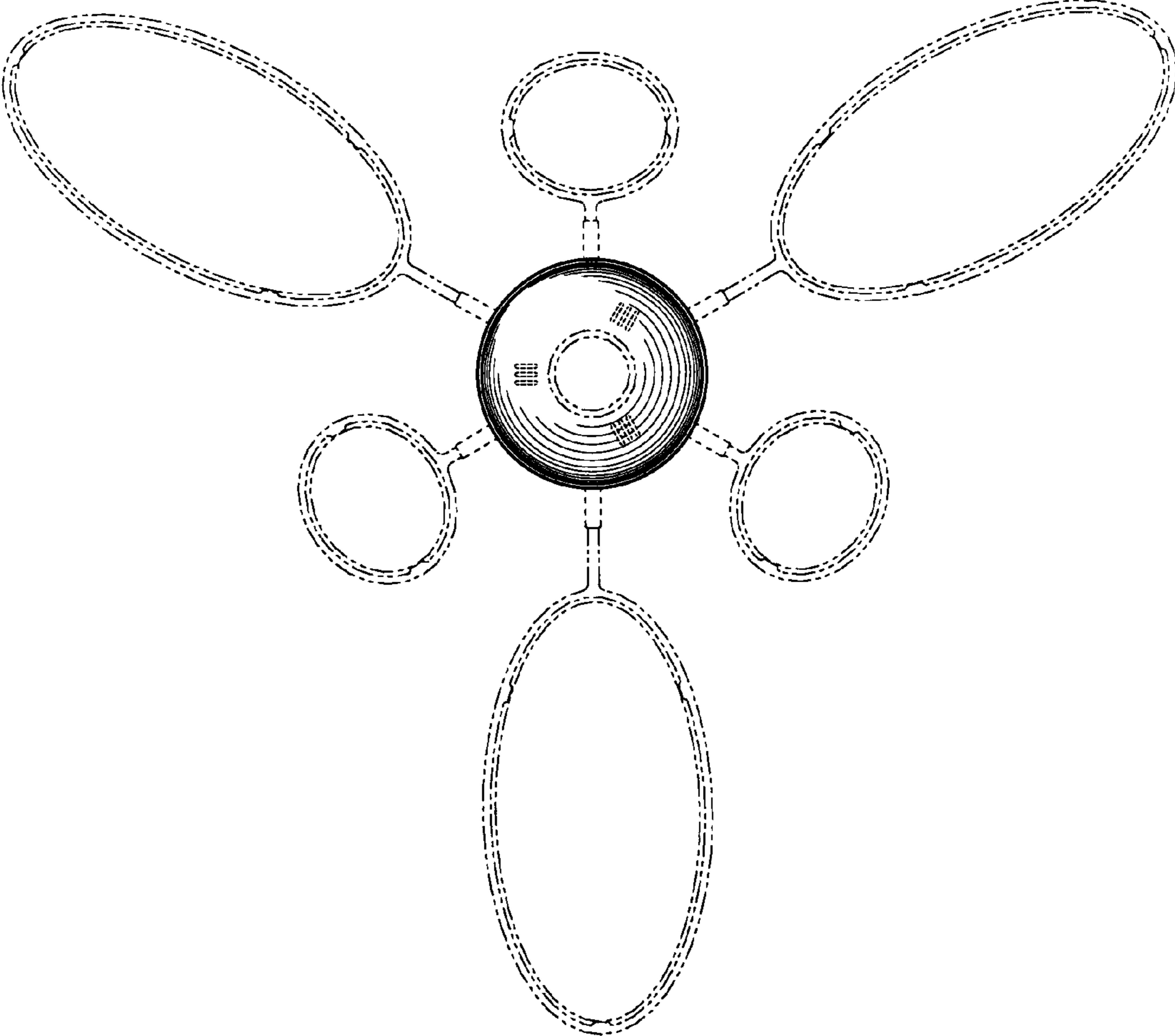


Fig.3

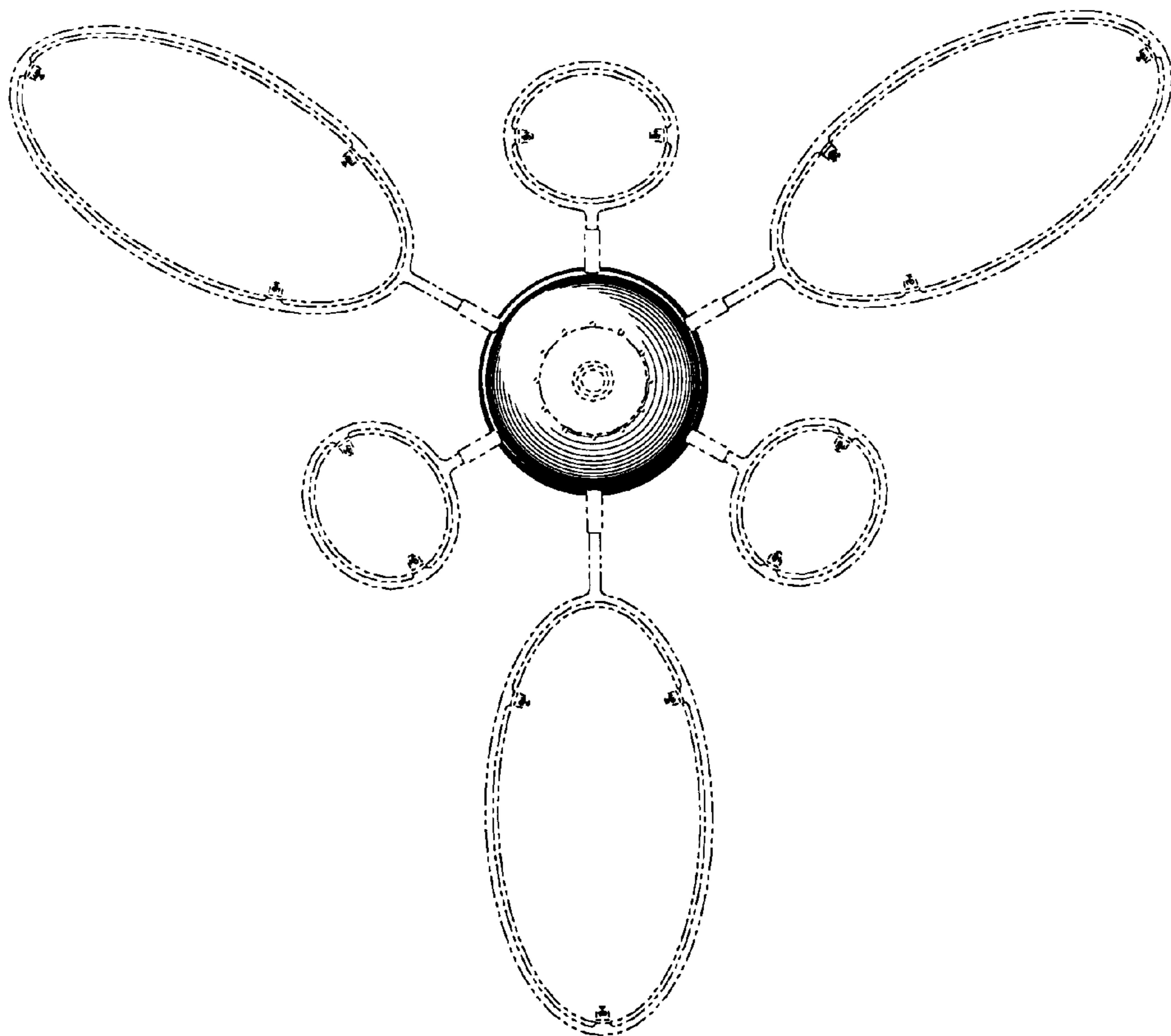


Fig.4

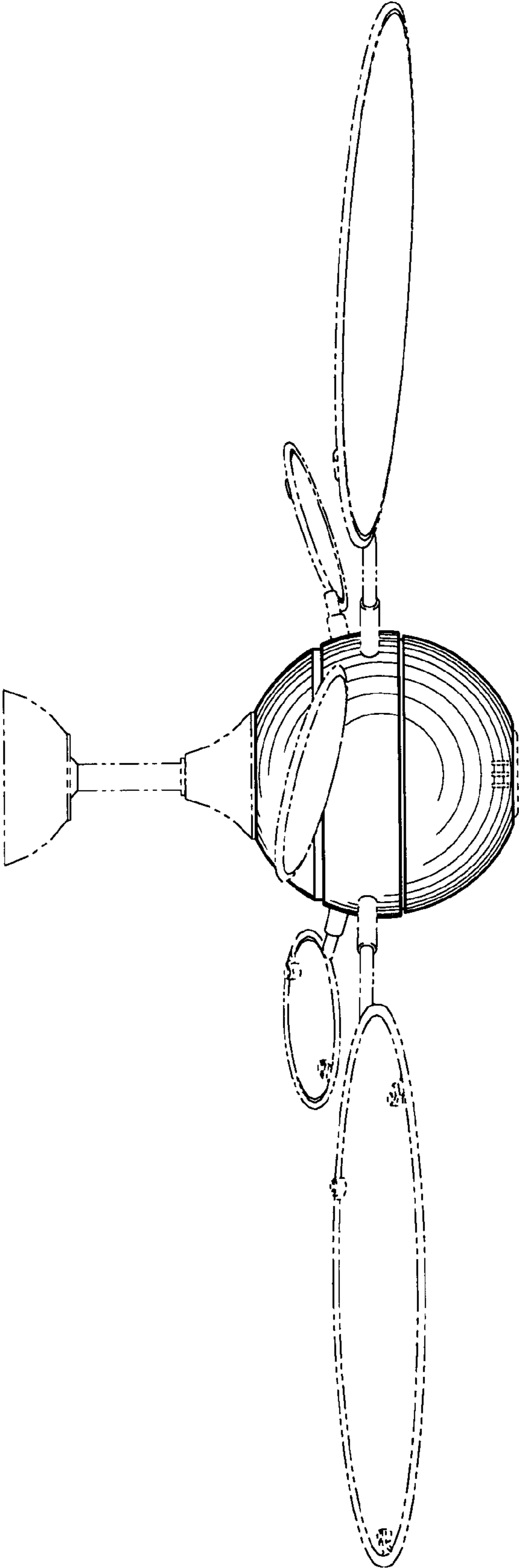


Fig.5

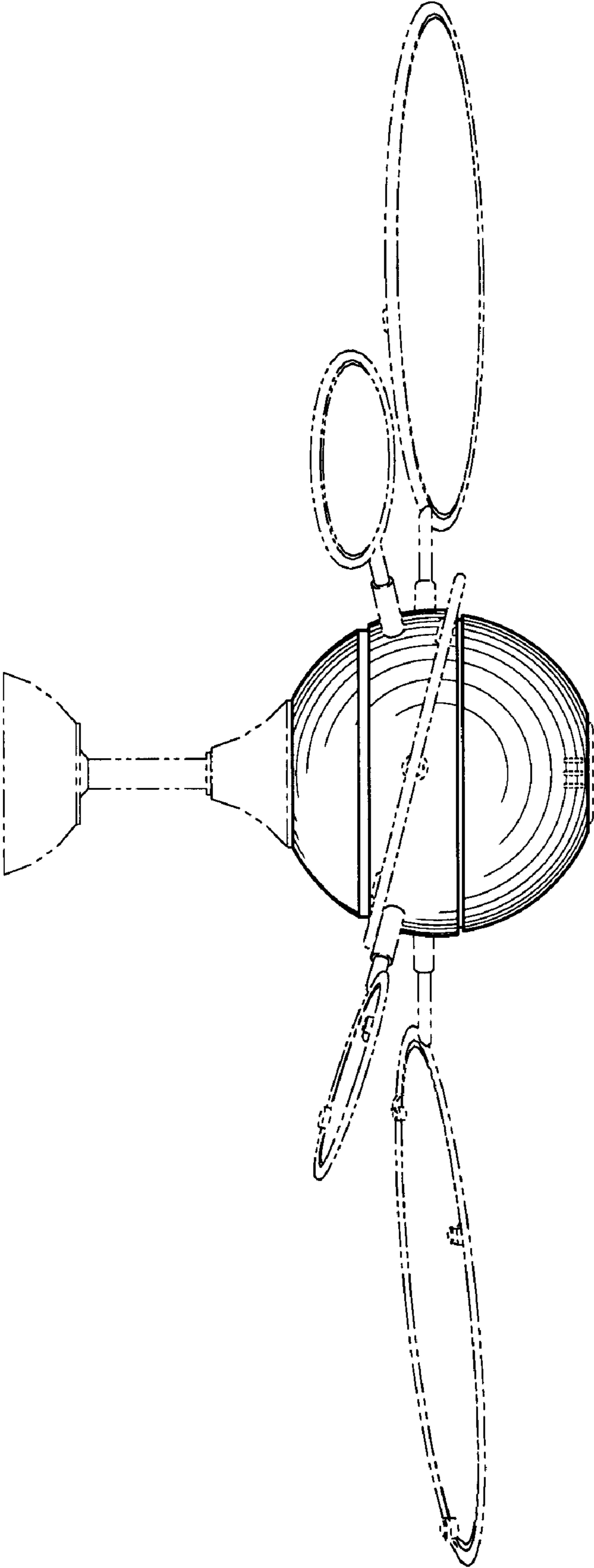


Fig. 6