



US00D514688S

(12) **United States Design Patent**
Avedon

(10) **Patent No.:** **US D514,688 S**

(45) **Date of Patent:** **** Feb. 7, 2006**

(54) **AIR MOVING DEVICE**

6,155,782 A * 12/2000 Hsu 416/63
6,192,702 B1 * 2/2001 Shimogori 62/259.3

(75) Inventor: **Raymond B. Avedon**, Boulder, CO (US)

* cited by examiner

(73) Assignee: **Airius, LLC**, Longmont, CO (US)

Primary Examiner—Lisa Lichtenstein
(74) *Attorney, Agent, or Firm*—Ansel W. Lewis, Jr.

(**) Term: **14 Years**

(57) **CLAIM**

(21) Appl. No.: **29/212,283**

The ornamental design for an air moving device, as shown and described.

(22) Filed: **Aug. 30, 2004**

DESCRIPTION

(51) **LOC (8) Cl.** **23-04**

(52) **U.S. Cl.** **D23/379**

(58) **Field of Classification Search** D23/332,
D23/370, 382, 379; 416/247 R, 63

See application file for complete search history.

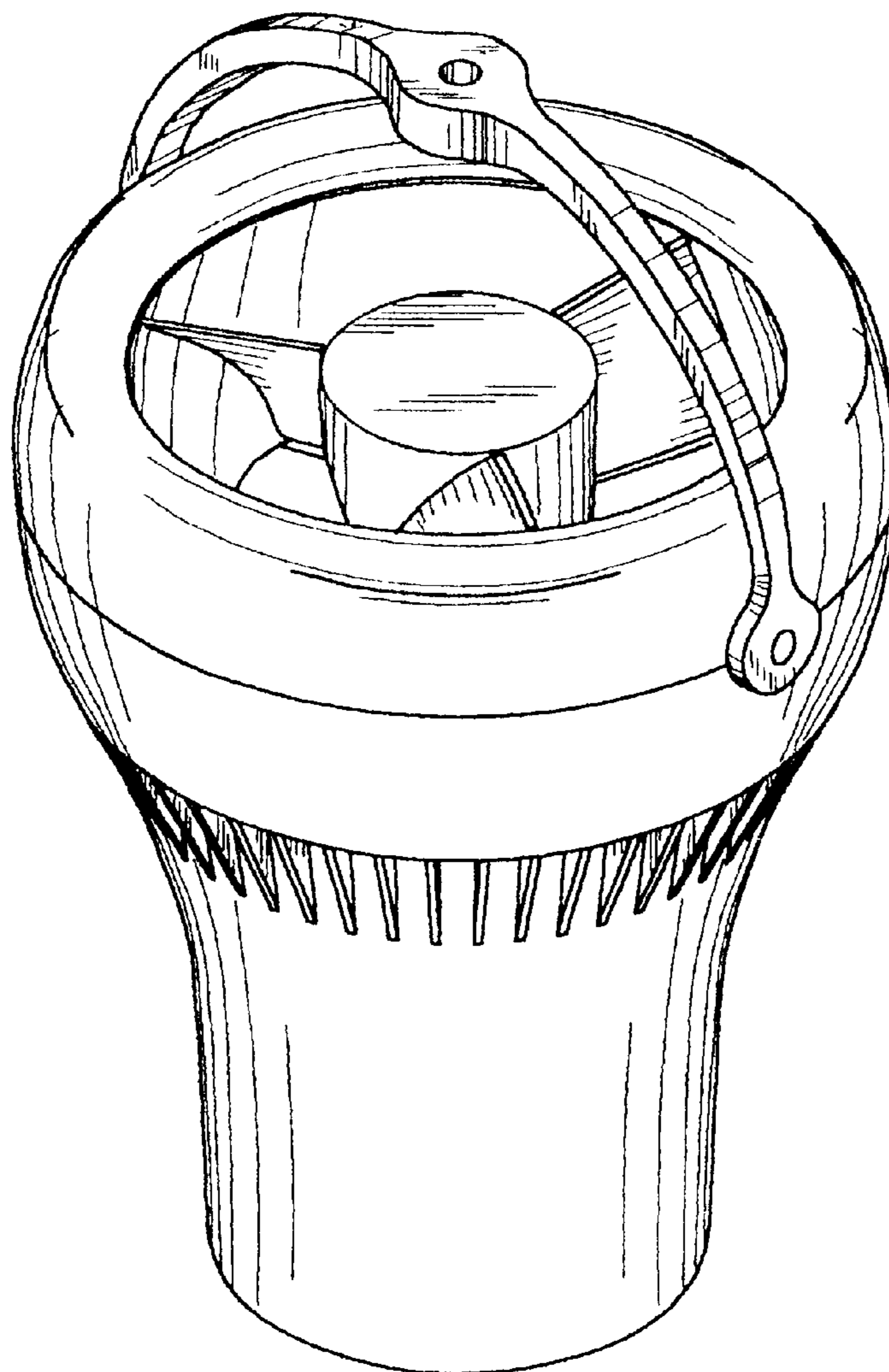
FIG. 1 is a top perspective view of an air moving device;
FIG. 2 is a bottom perspective view;
FIG. 3 is a side elevation view;
FIG. 4 is a side elevation view rotated 90 degrees from FIG. 3;
FIG. 5 is a top plan view; and,
FIG. 6 is a bottom plan view.

(56) **References Cited**

U.S. PATENT DOCUMENTS

D414,550 S * 9/1999 Bloom D23/328

1 Claim, 3 Drawing Sheets



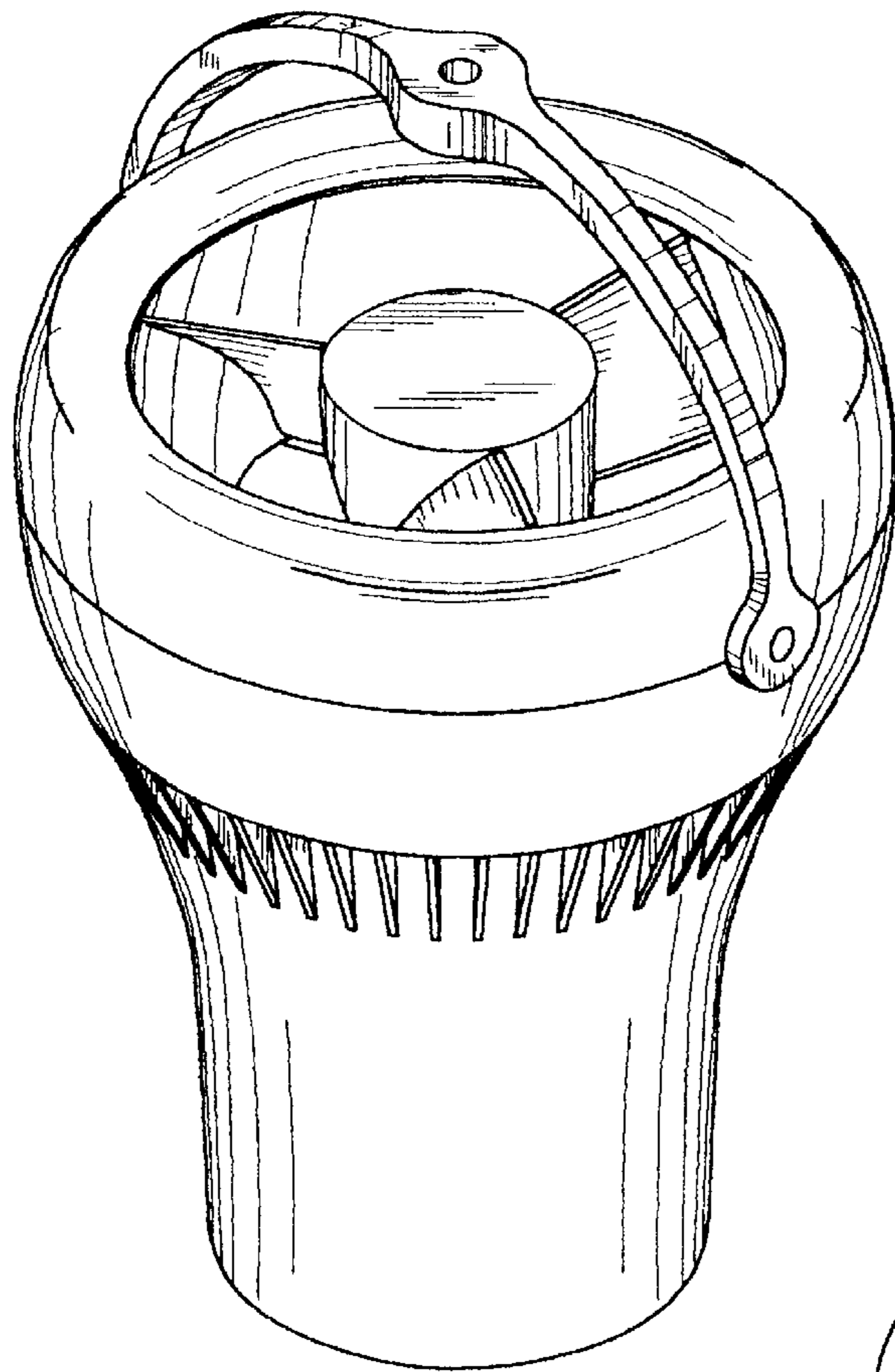


Fig. 1

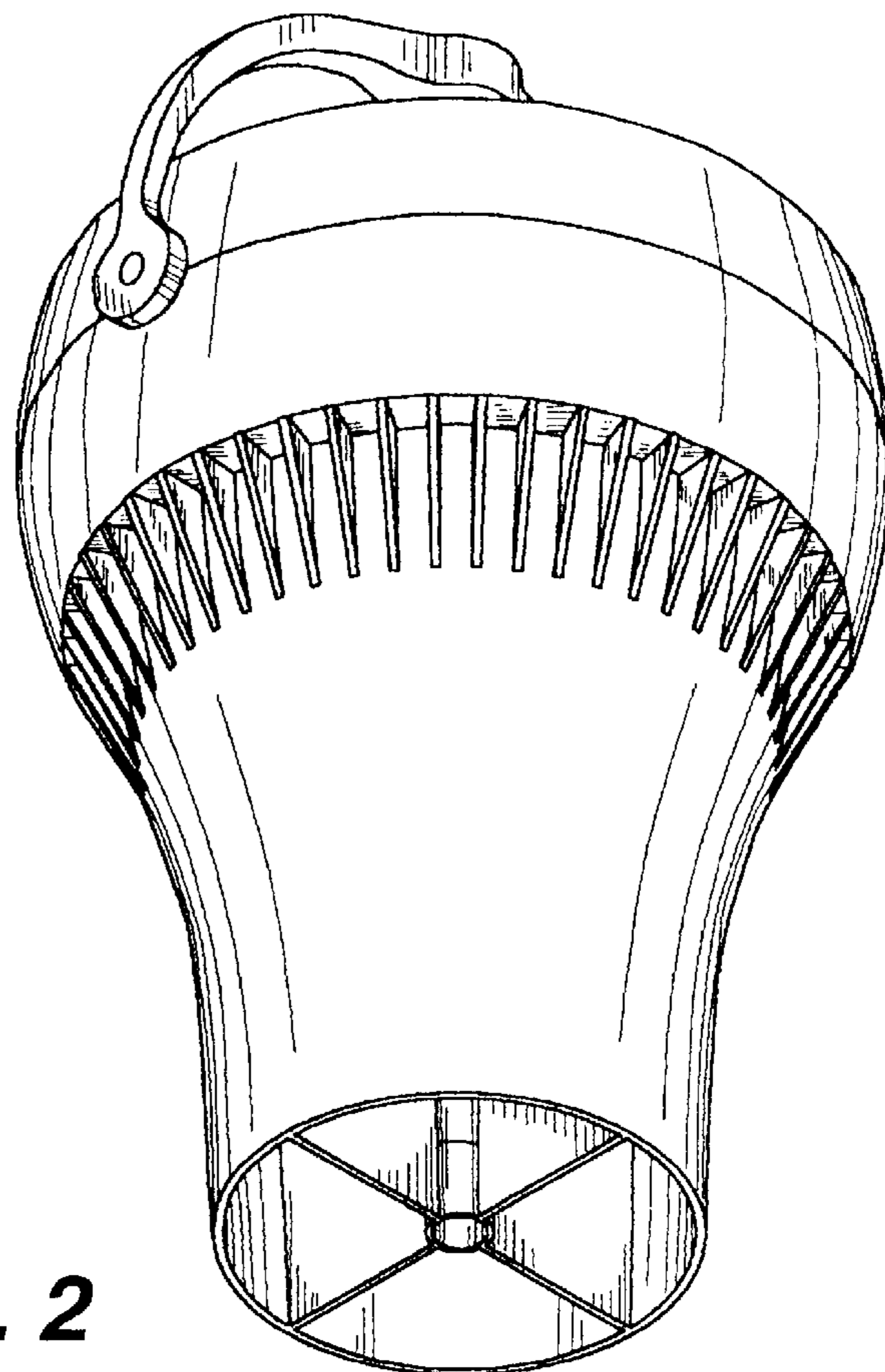


Fig. 2

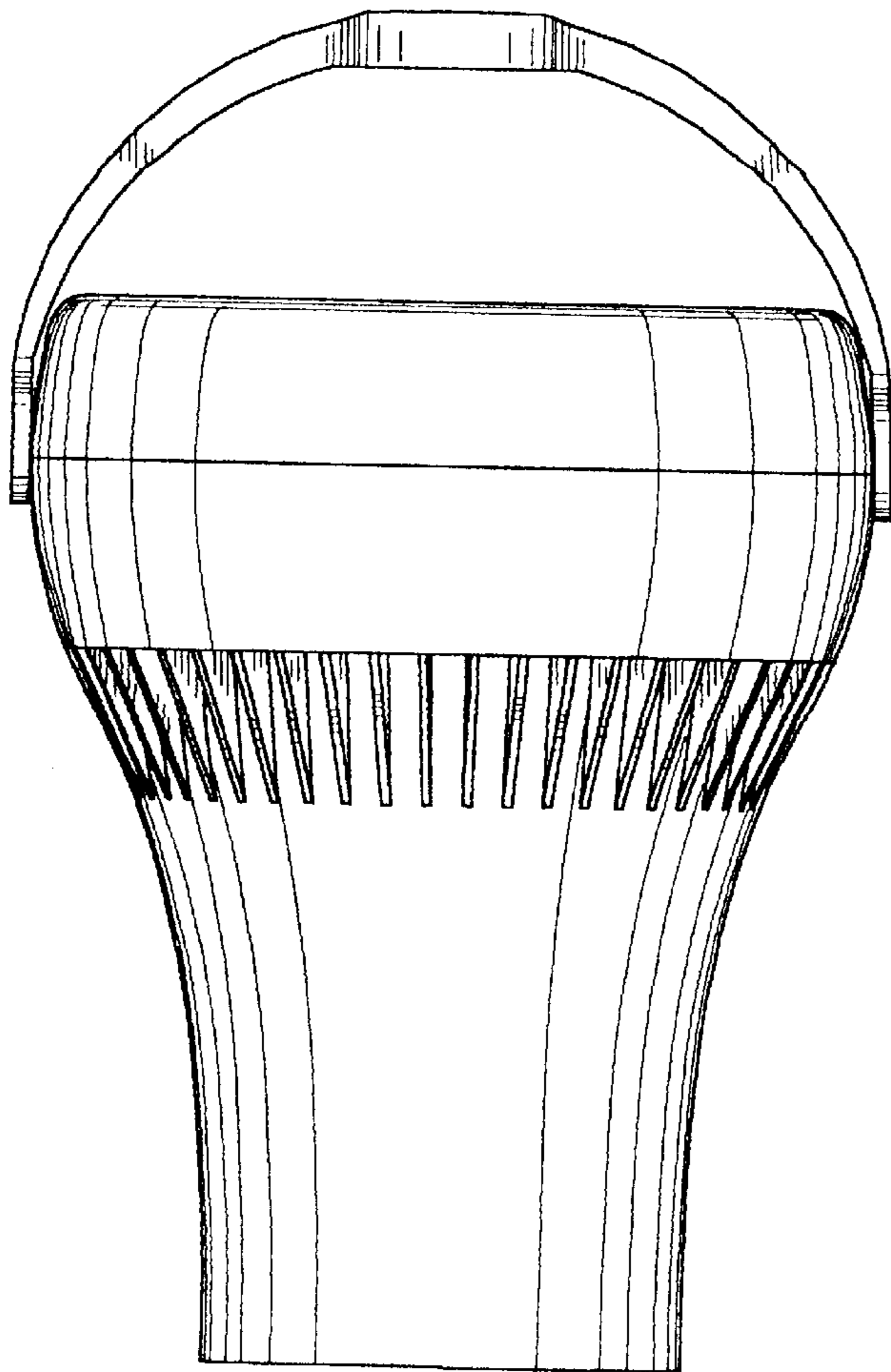


Fig. 3

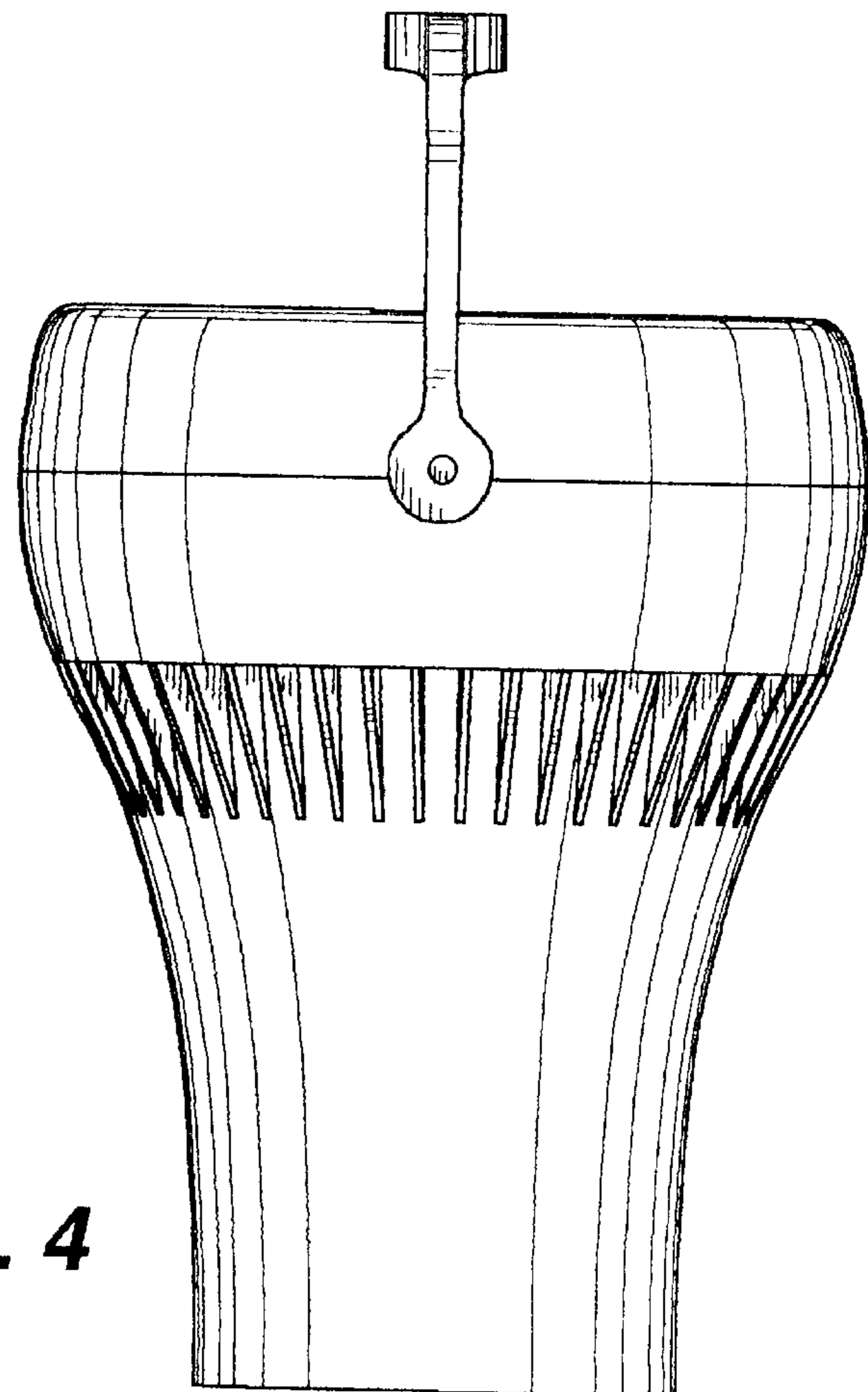


Fig. 4

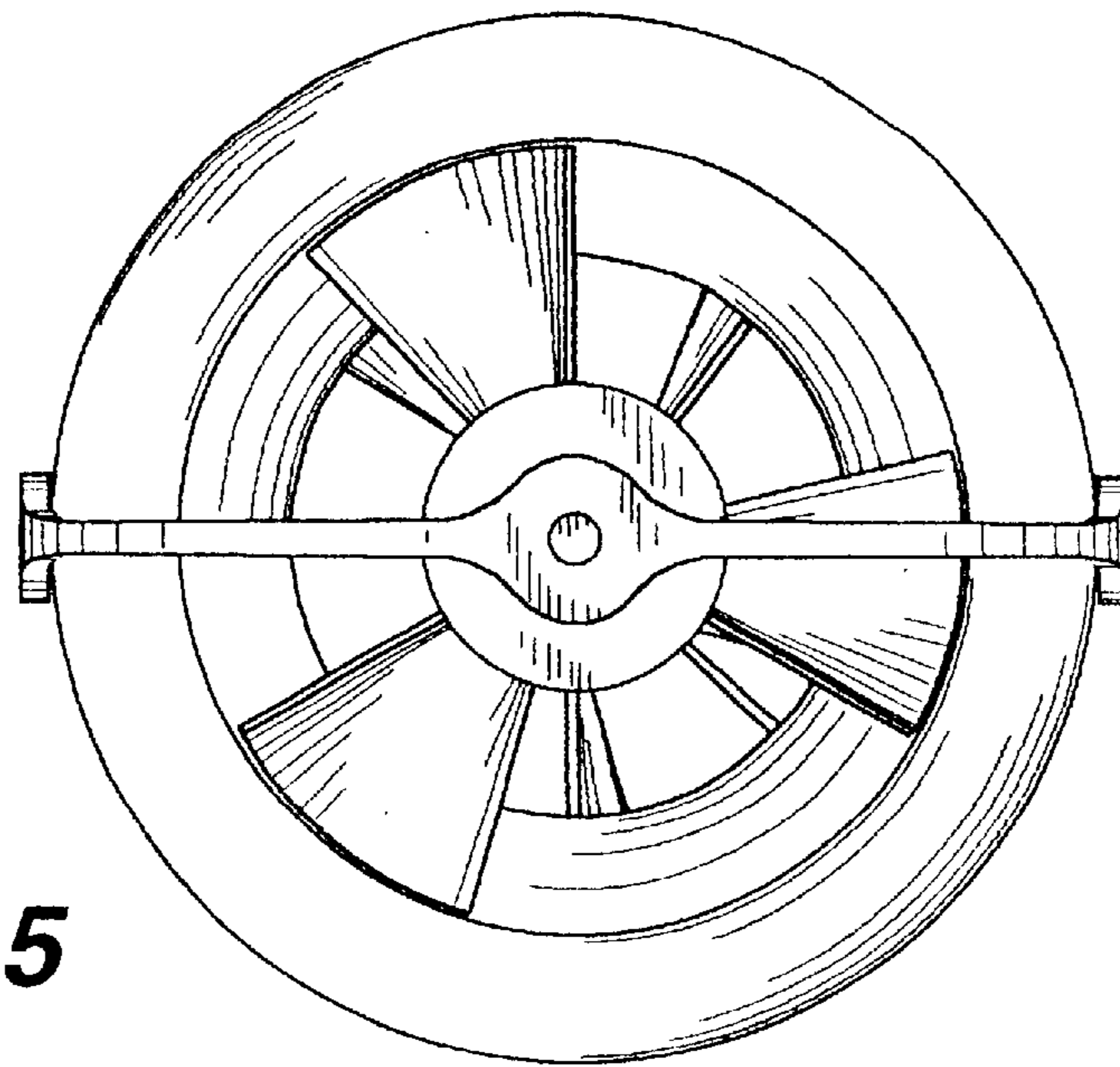


Fig. 5

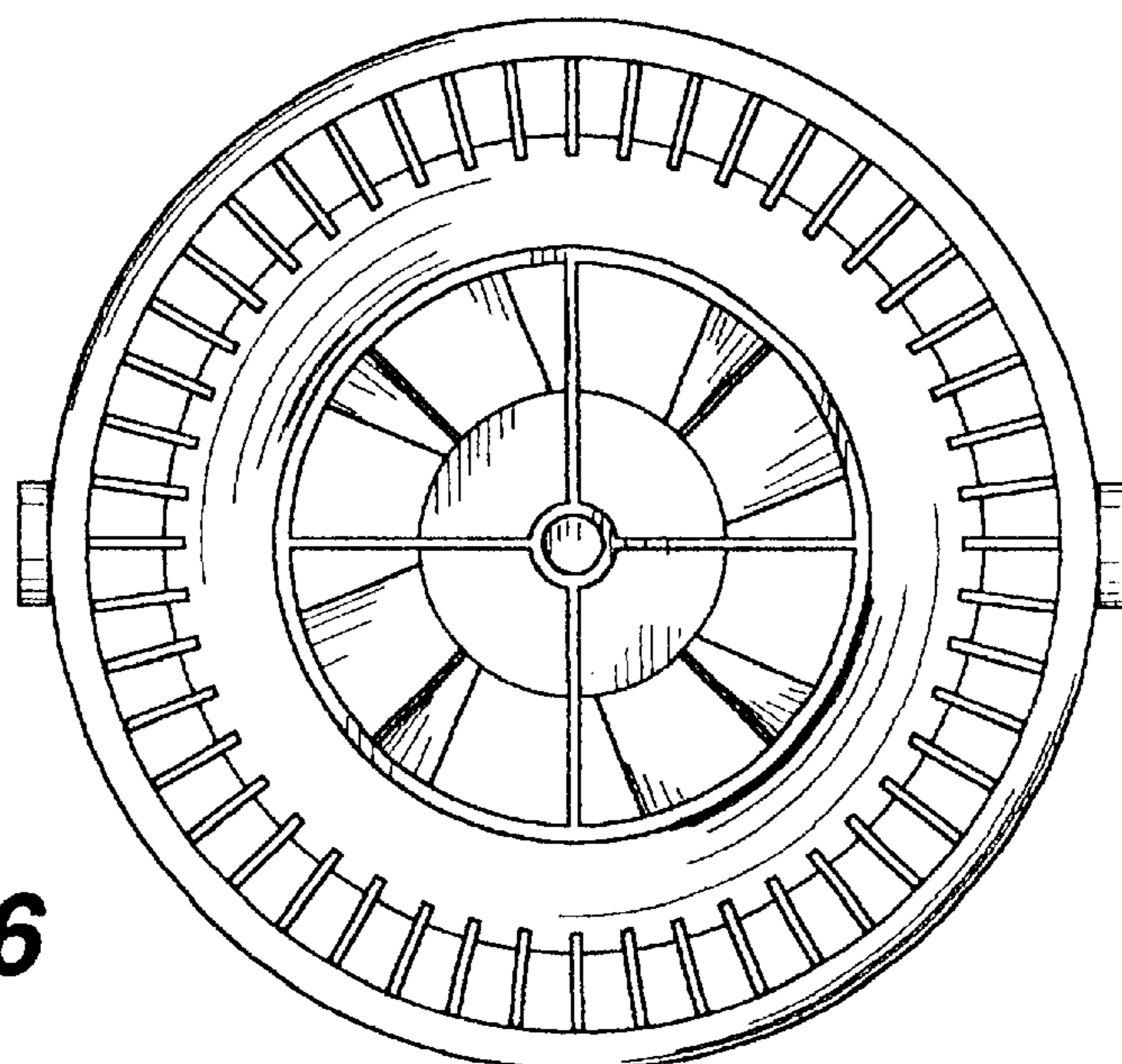


Fig. 6