



US00D514685S

(12) **United States Design Patent** (10) **Patent No.:** **US D514,685 S**  
**Flores** (45) **Date of Patent:** **\*\* Feb. 7, 2006**

(54) **CEILING FAN**

(75) Inventor: **Miguel Flores**, Riverside, CA (US)

(73) Assignee: **Minka Lighting, Inc.**, Corona, CA (US)

(\*\*) Term: **14 Years**

(21) Appl. No.: **29/211,392**

(22) Filed: **Aug. 16, 2004**

(51) **LOC (8) Cl.** ..... **23-04**

(52) **U.S. Cl.** ..... **D23/377; D23/379**

(58) **Field of Classification Search** ..... **D23/377, D23/379, 385, 411, 413; 416/5; 392/364; D26/59, 81-88, 72; 362/96**

See application file for complete search history.

(56) **References Cited**

**U.S. PATENT DOCUMENTS**

- D392,033 S \* 3/1998 Jaspers-Fayer ..... D23/377
- D396,101 S \* 7/1998 Jaspers-Fayer ..... D23/377
- D402,026 S \* 12/1998 Chuang et al. .... D23/377
- D484,233 S \* 12/2003 Bucher et al. .... D23/377

**OTHER PUBLICATIONS**

- Minka Aire; The Art of Air Management; Jan. 2000; Churchill Model; pp. 16-17.
- Minka Aire; The Art of Air Management; Jan. 2000; Clasique Model; pp. 20-21.
- Minka Aire; The Art of Management; Jan. 2002; Chantal Model; pp. 34-35.
- Minka Aire; The Art of Air Management; Jan. 2004; Napoli Model; pp. 30-31.
- Home Lighting & Accessories; Jun. 2004; Summer Collections/Savoy House Model; pp. 50-51.

Item No. 839142ST; Iron Pendant Similar Iron Scrollwork; Fine Art Lamps 2003.

Item No. Unknown; Similar Carved Scrollwork; from Montaaage Vini Collection; Montaaage 2003.

\* cited by examiner

*Primary Examiner*—Lisa Lichtenstein

(74) *Attorney, Agent, or Firm*—Baker & McKenzie LLP

(57) **CLAIM**

The ornamental design for the ceiling fan, as shown and described.

**DESCRIPTION**

FIG. 1 is a perspective view from below of a ceiling fan in accordance with my design;

FIG. 2 is an enlarged perspective view from below of the ceiling fan in accordance with my design;

FIG. 3 is a reduced bottom plan view of the ceiling fan in accordance with my design;

FIG. 4 is a reduced top plan view of the ceiling fan in accordance with my design;

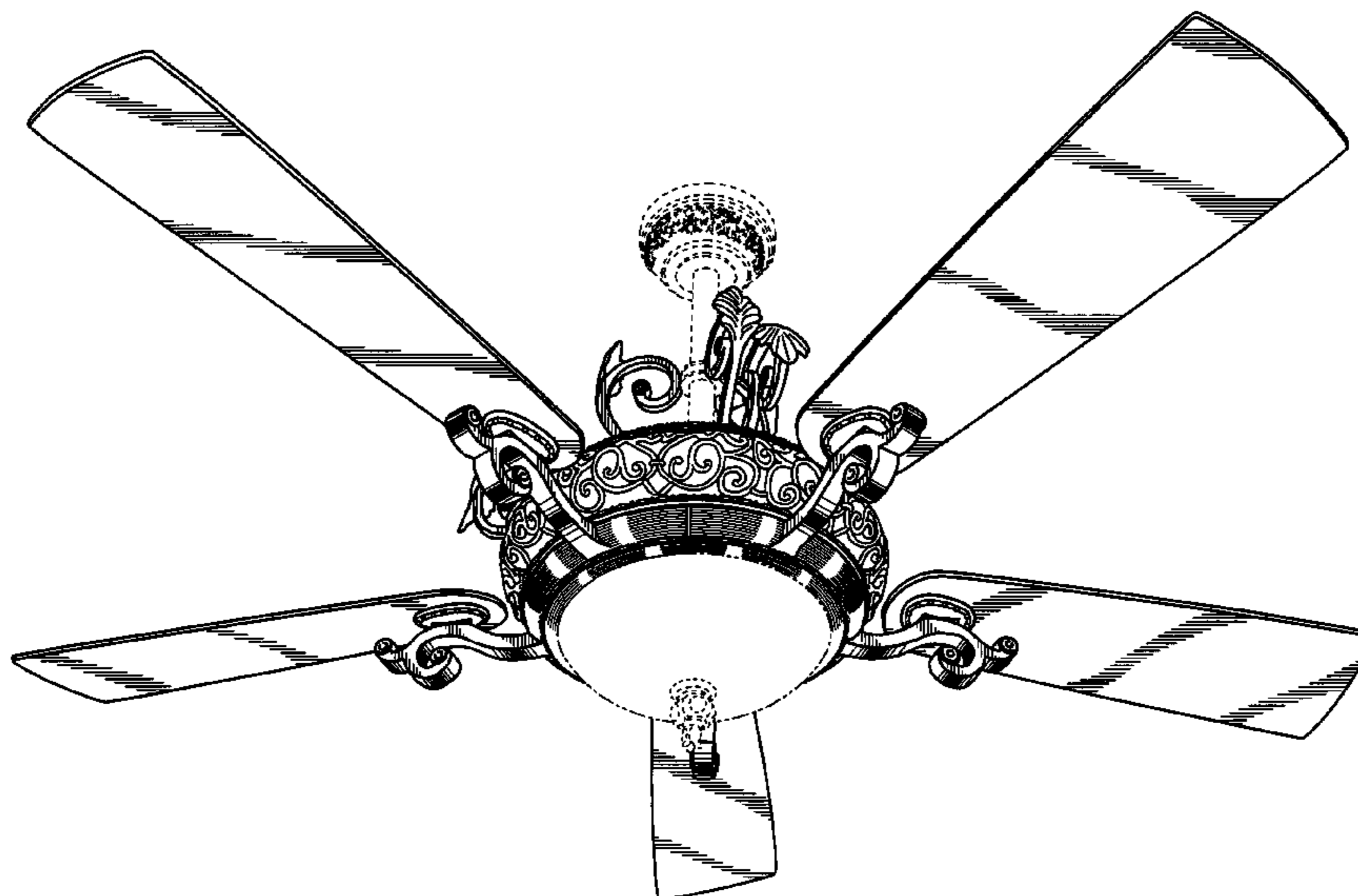
FIG. 5 is a front elevation view of the ceiling fan in accordance with my design; and,

FIG. 6 is a side elevation view of the ceiling fan in accordance with my design the opposite side being a mirror image of that shown except for the positioning of the fan blades.

FIGS. 5 and 6 are identical except for the positioning of the fan blades.

The broken lines showing environmental structure are for illustrative purposes and form no part of the claimed design. In FIG. 2, the fan blades are shown broken away to indicate indeterminate length.

**1 Claim, 6 Drawing Sheets**



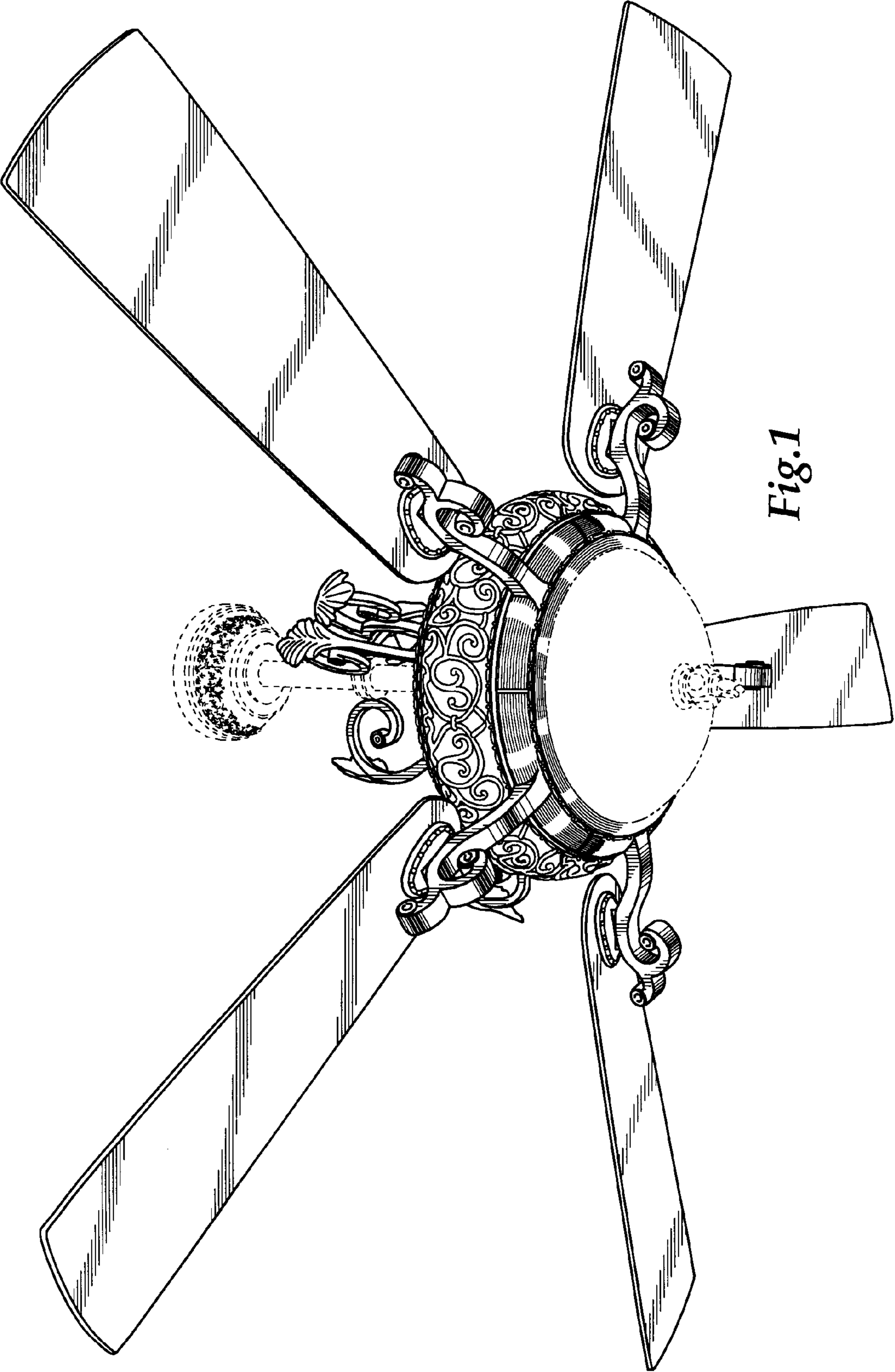


Fig. 1

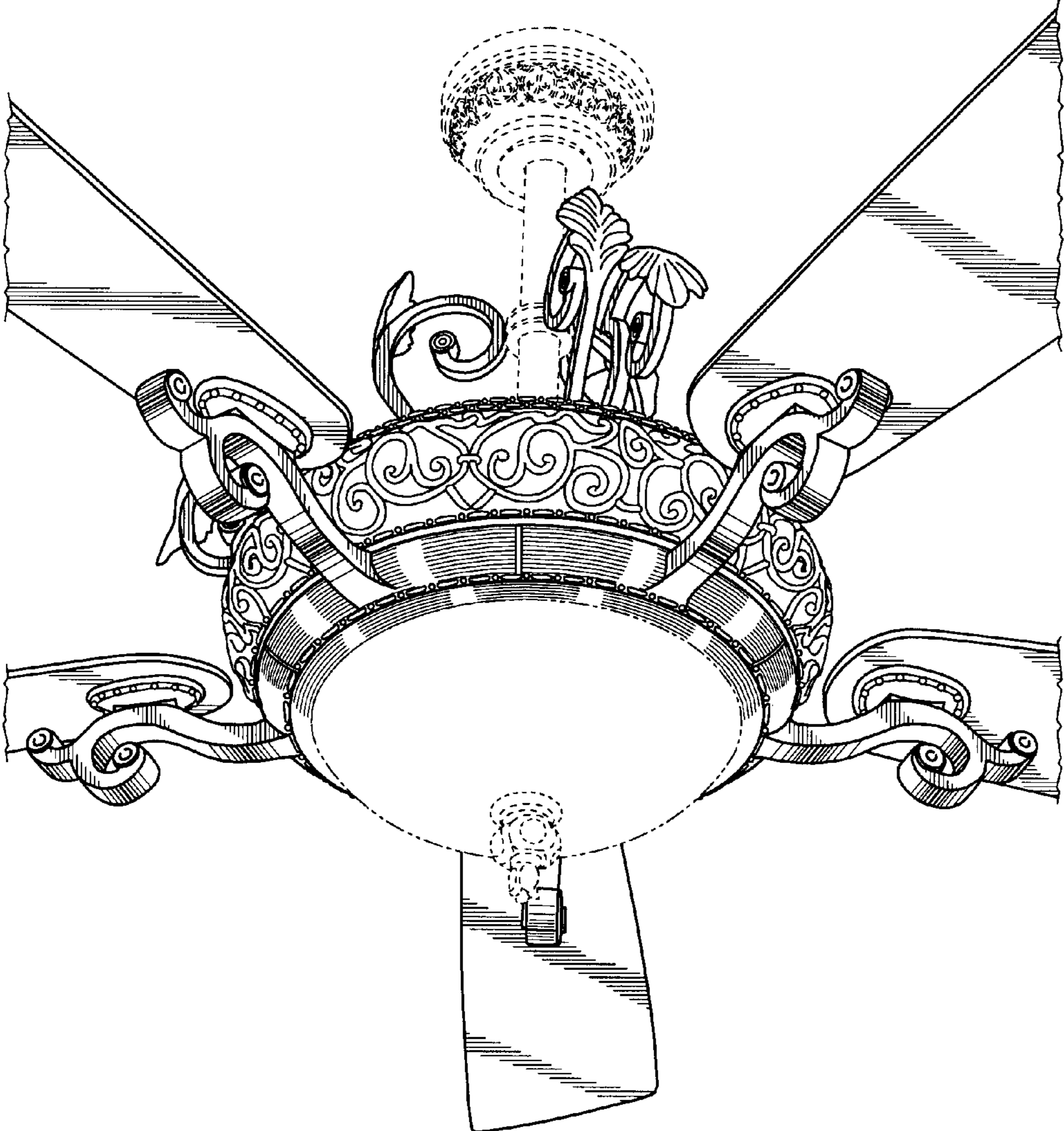
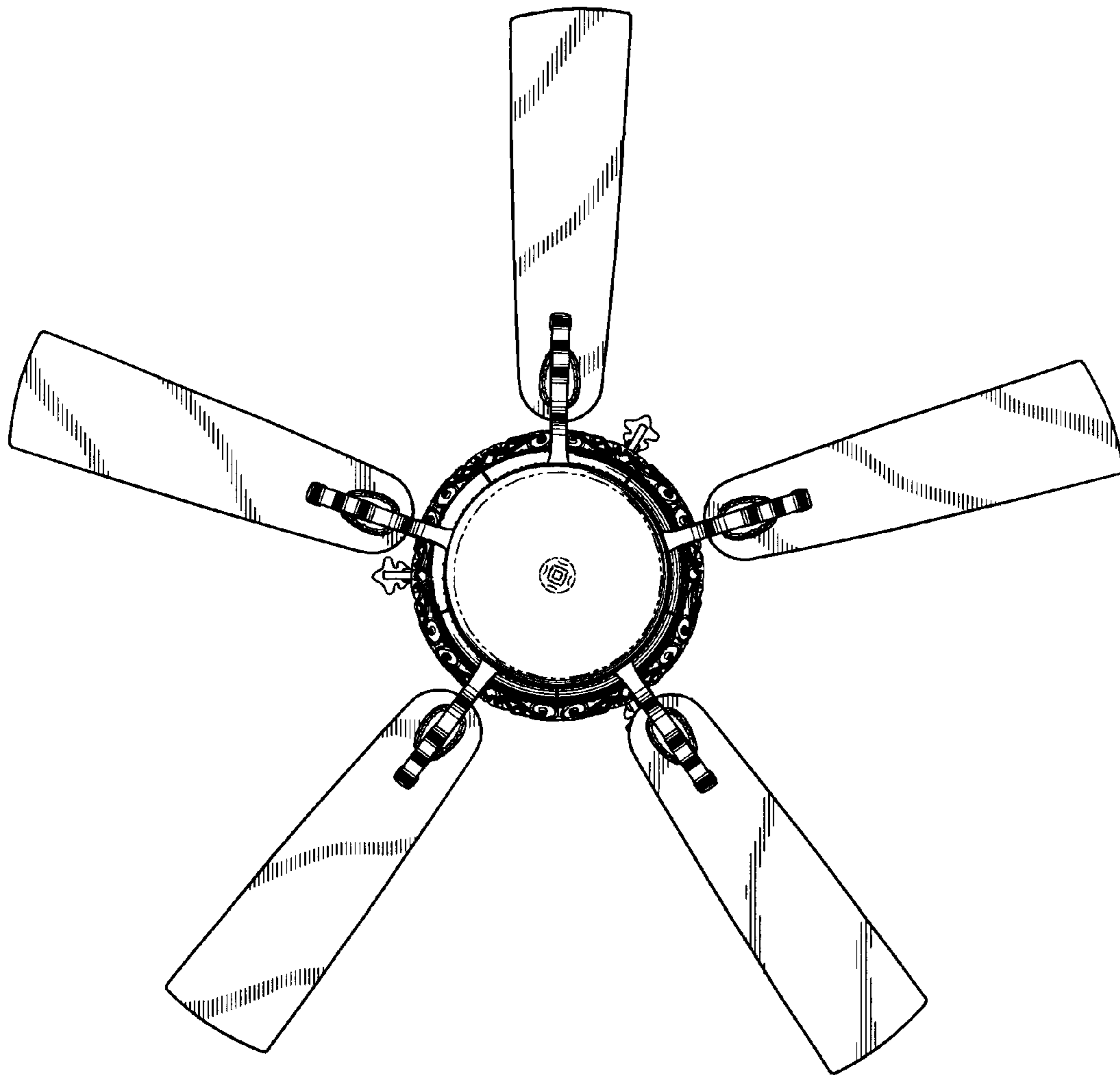
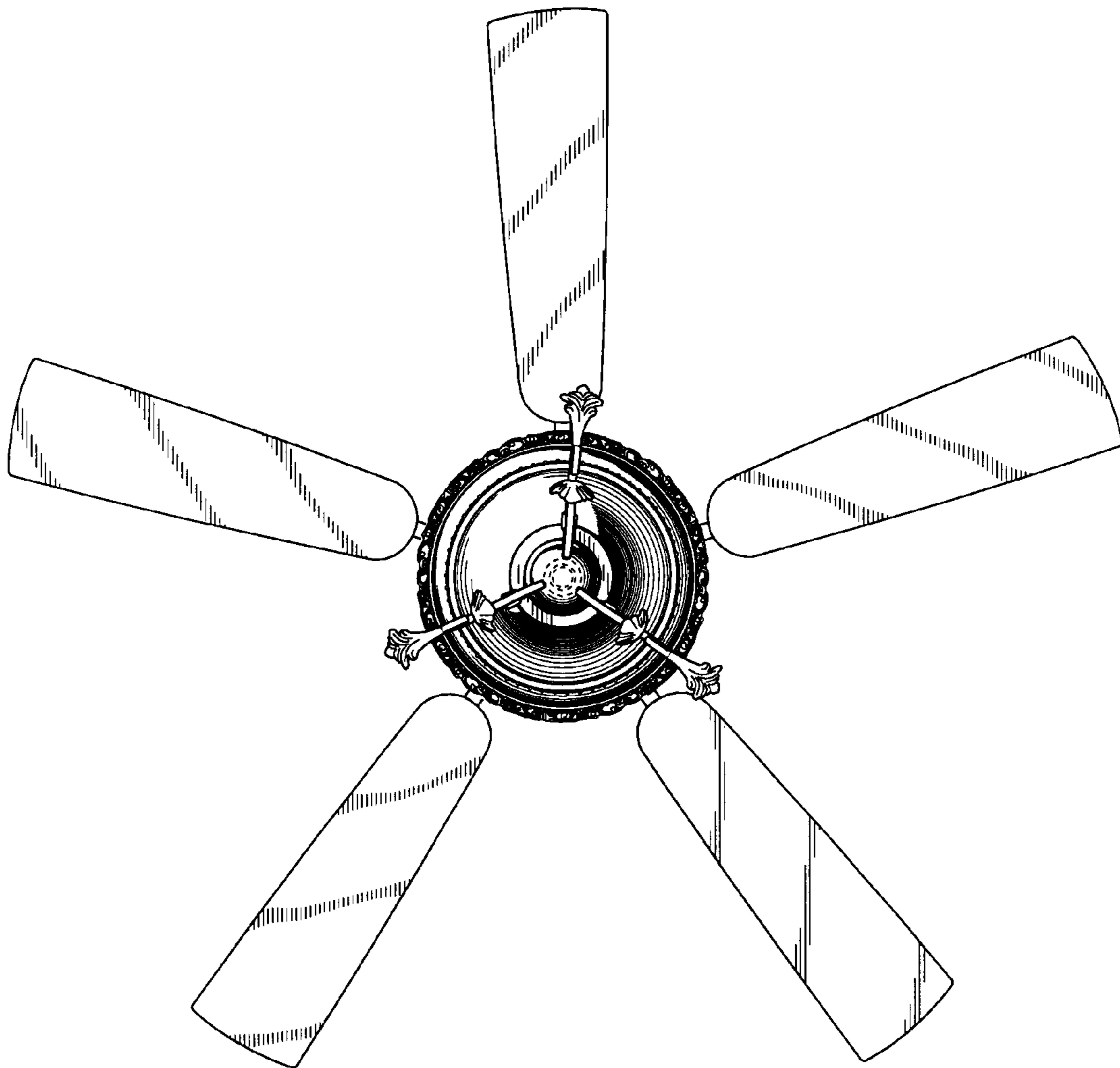


Fig.2



*Fig.3*



*Fig.4*

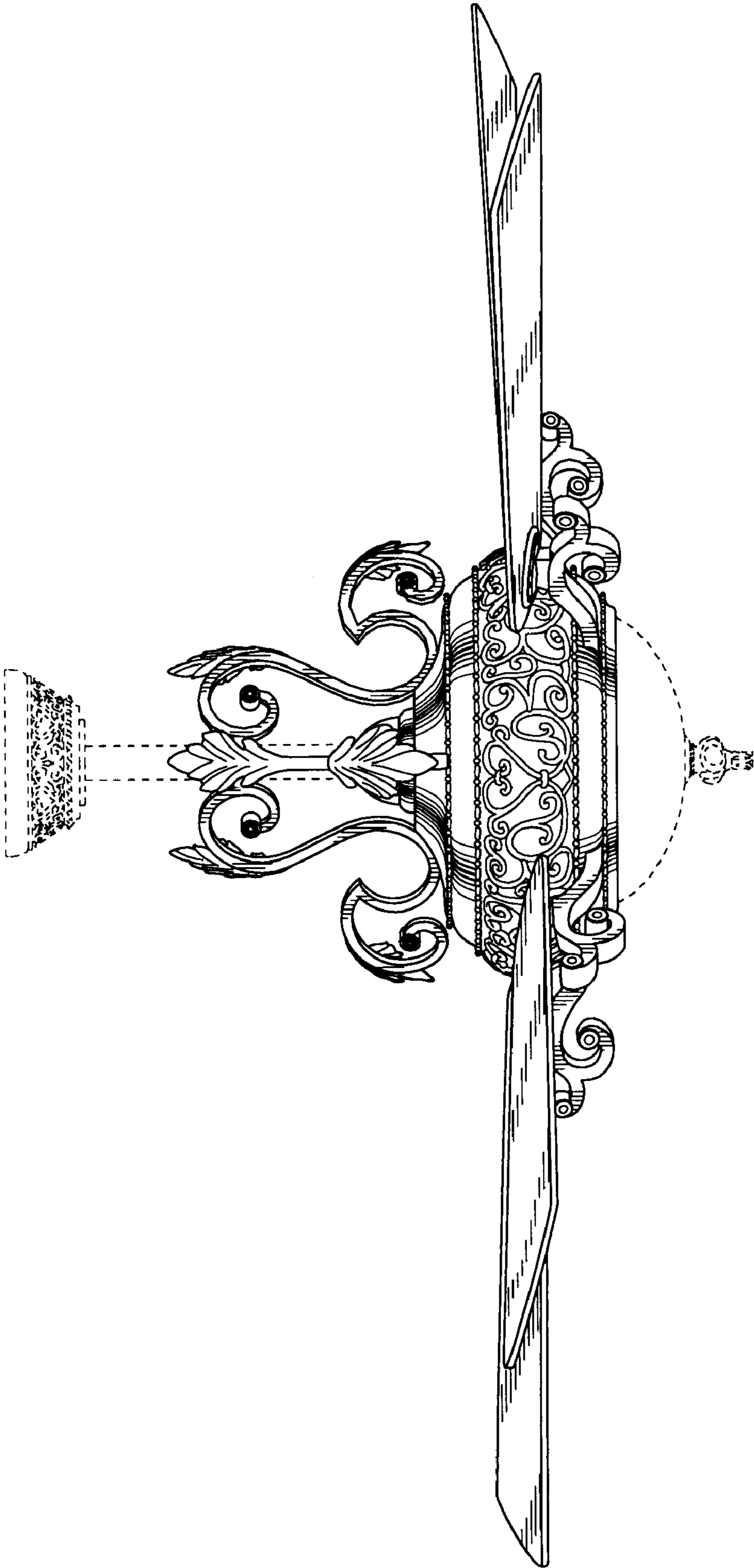


Fig.5

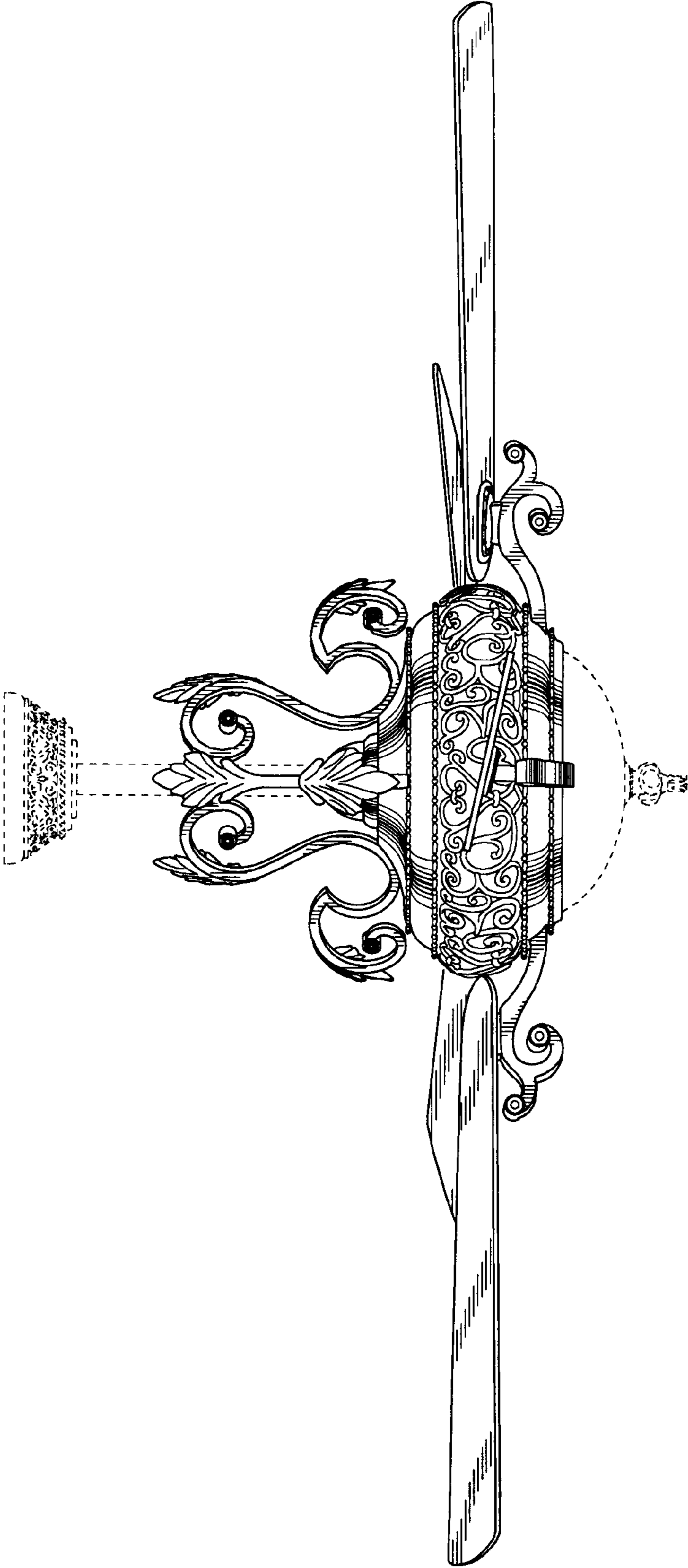


Fig.6