

US00D514674S

(12) **United States Design Patent**  
**Blateri**

(10) **Patent No.:** **US D514,674 S**  
(45) **Date of Patent:** **\*\* Feb. 7, 2006**

- (54) **HEATER FAN**
  - (76) Inventor: **Frank Blateri**, 191 Chaucer Ct.,  
Coppell, TX (US) 76019
  - (\*\*) Term: **14 Years**
  - (21) Appl. No.: **29/203,071**
  - (22) Filed: **Apr. 8, 2004**
  - (51) **LOC (8) Cl.** ..... **23-03**
  - (52) **U.S. Cl.** ..... **D23/335**
  - (58) **Field of Classification Search** ..... **D23/332,**  
D23/314, 335-338, 340-345, 349-350; 392/360,  
392/365-369, 373-376; 312/326; 126/110 B,  
126/90 A, 92 A
- See application file for complete search history.

- D422,073 S 3/2000 Lozzio et al.
- D423,663 S 4/2000 Rossman et al.
- D424,683 S 5/2000 Bellil et al.
- D427,674 S 7/2000 Moreno
- D429,808 S 8/2000 Krauss
- D433,497 S 11/2000 Hotaling et al.
- D440,648 S 4/2001 Lee et al.
- D441,065 S 4/2001 Ediger et al.
- D444,871 S 7/2001 Wilson, Jr.
- D447,552 S 9/2001 Lee et al.
- D448,461 S 9/2001 Toro
- 6,285,829 B1 9/2001 Smith
- D451,594 S 12/2001 Chen et al.
- D451,595 S 12/2001 Chen et al.
- D453,557 S \* 2/2002 Pannozzo et al. .... D23/335
- D454,392 S 3/2002 Shapiro
- D454,944 S \* 3/2002 Hotaling et al. .... D23/335
- D456,066 S 4/2002 Ching
- D459,454 S 6/2002 Shapiro
- D460,816 S 7/2002 Mavridis et al.
- D466,599 S 12/2002 Bragg et al.
- D468,818 S 1/2003 Chuang et al.

(56) **References Cited**

**U.S. PATENT DOCUMENTS**

- D151,015 S 9/1948 Stiles
- D286,428 S \* 10/1986 Liu ..... D23/335
- 4,703,152 A 10/1987 Shih-Chin
- D309,182 S 7/1990 Hsu
- D319,694 S \* 9/1991 Wortham ..... D23/336
- D323,708 S 2/1992 Wang
- D329,089 S 9/1992 Coup et al.
- D343,676 S 1/1994 Lim
- D344,527 S 2/1994 Drago et al.
- D348,725 S \* 7/1994 Wortham ..... D23/335
- D349,570 S 8/1994 Radtke, Jr.
- D359,344 S 6/1995 De'Longhi
- D395,080 S 6/1998 Jane et al.
- D395,490 S 6/1998 Jane' et al.
- D396,527 S 7/1998 Boyle et al.
- D398,983 S 9/1998 Keller et al.
- D402,742 S 12/1998 Chen
- D405,520 S 2/1999 Birdsell
- D408,907 S 4/1999 Moreno
- D421,114 S 2/2000 Lozzio et al.
- D421,646 S 3/2000 Palma et al.

**FOREIGN PATENT DOCUMENTS**

NL 2039684 11/1994

\* cited by examiner

*Primary Examiner*—Brian N Vinson  
(74) *Attorney, Agent, or Firm*—Haynes and Boone, LLP

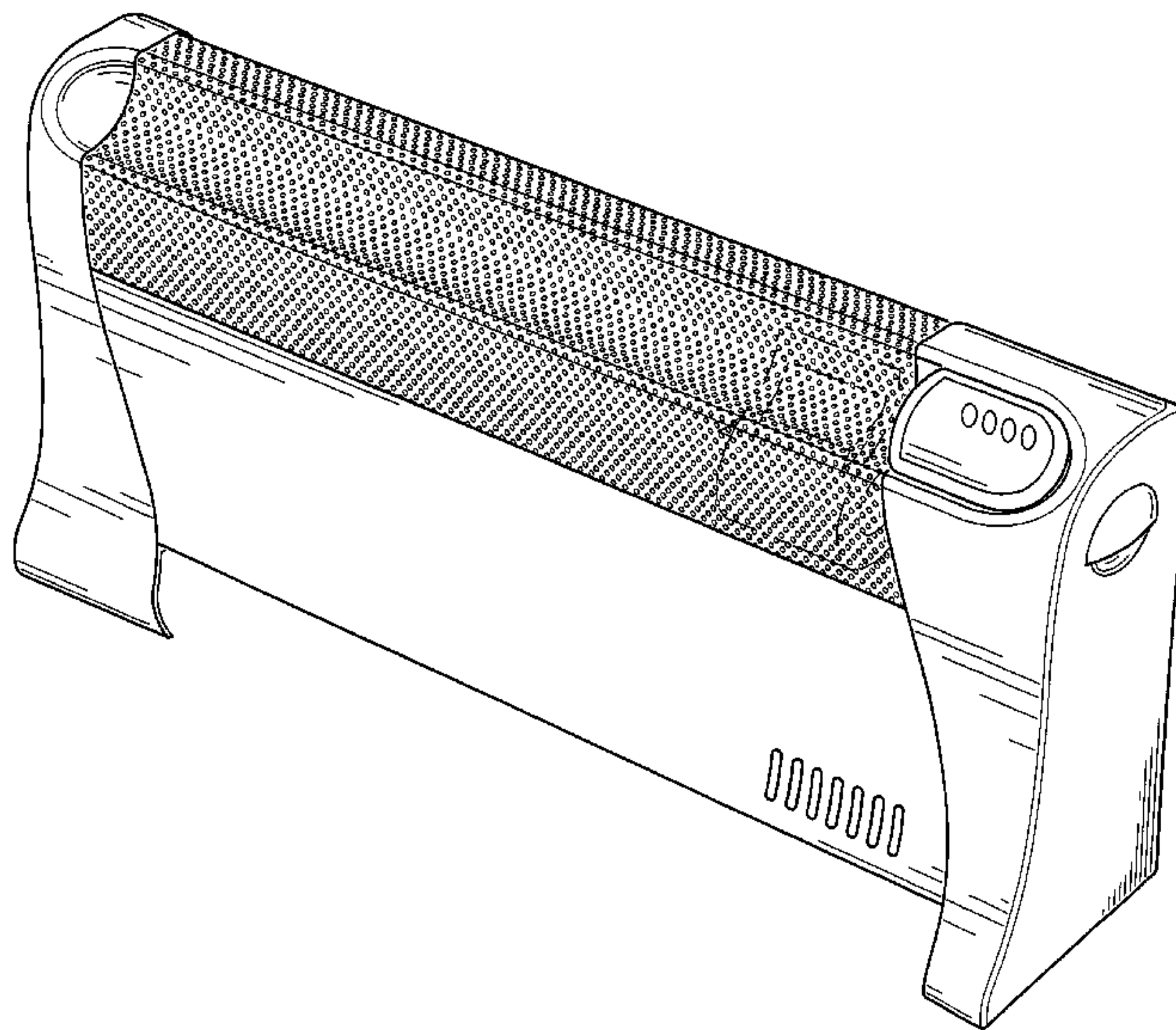
(57) **CLAIM**

The ornamental design for a heater fan, as shown and described.

**DESCRIPTION**

FIG. 1 is a perspective view of the heater fan showing my new design;  
FIG. 2 is a front elevational view thereof; and,  
FIGS. 3 and 4 are enlarged views of portions of the design of FIGS. 1 and 2.

**1 Claim, 3 Drawing Sheets**



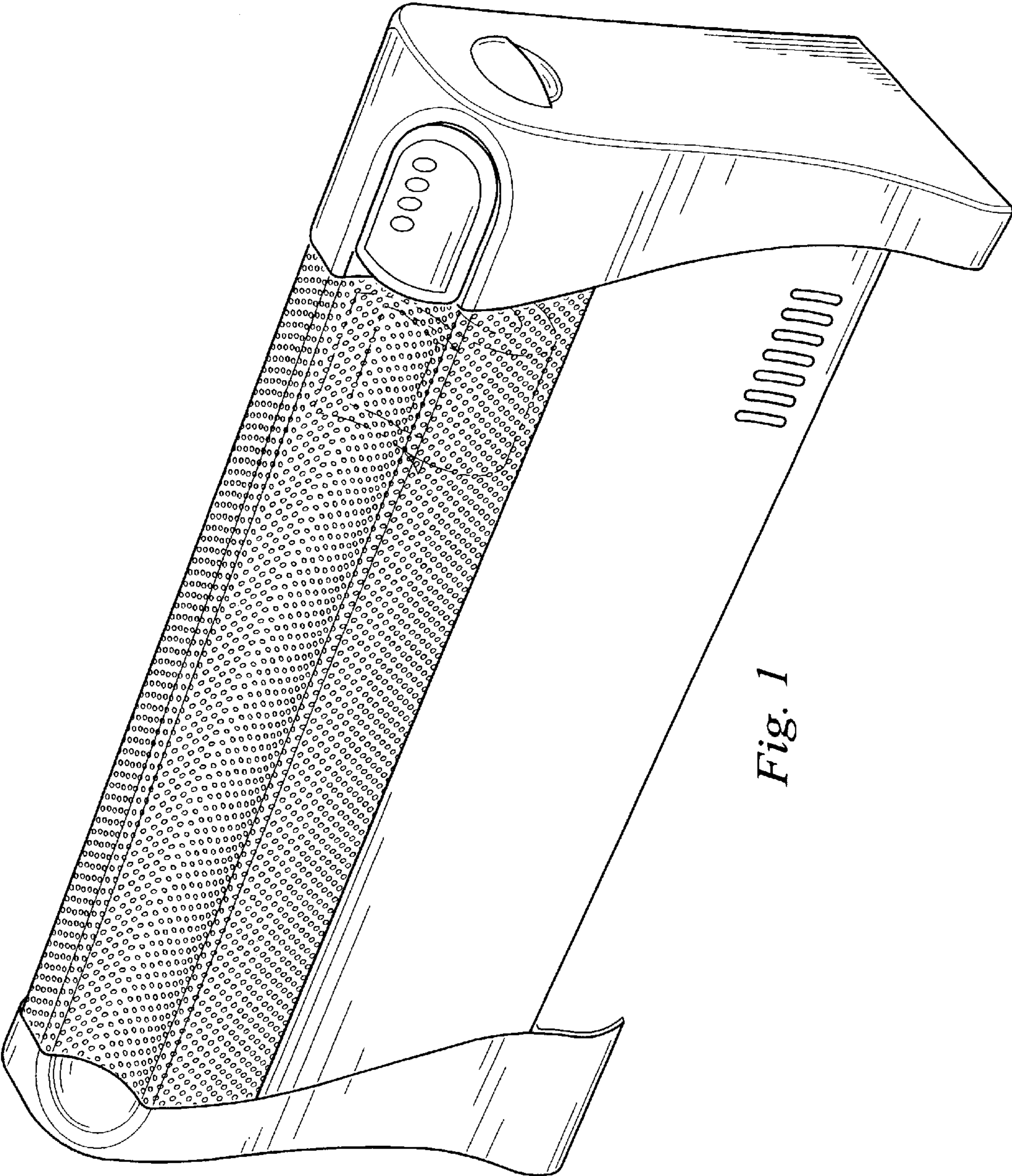


Fig. 1



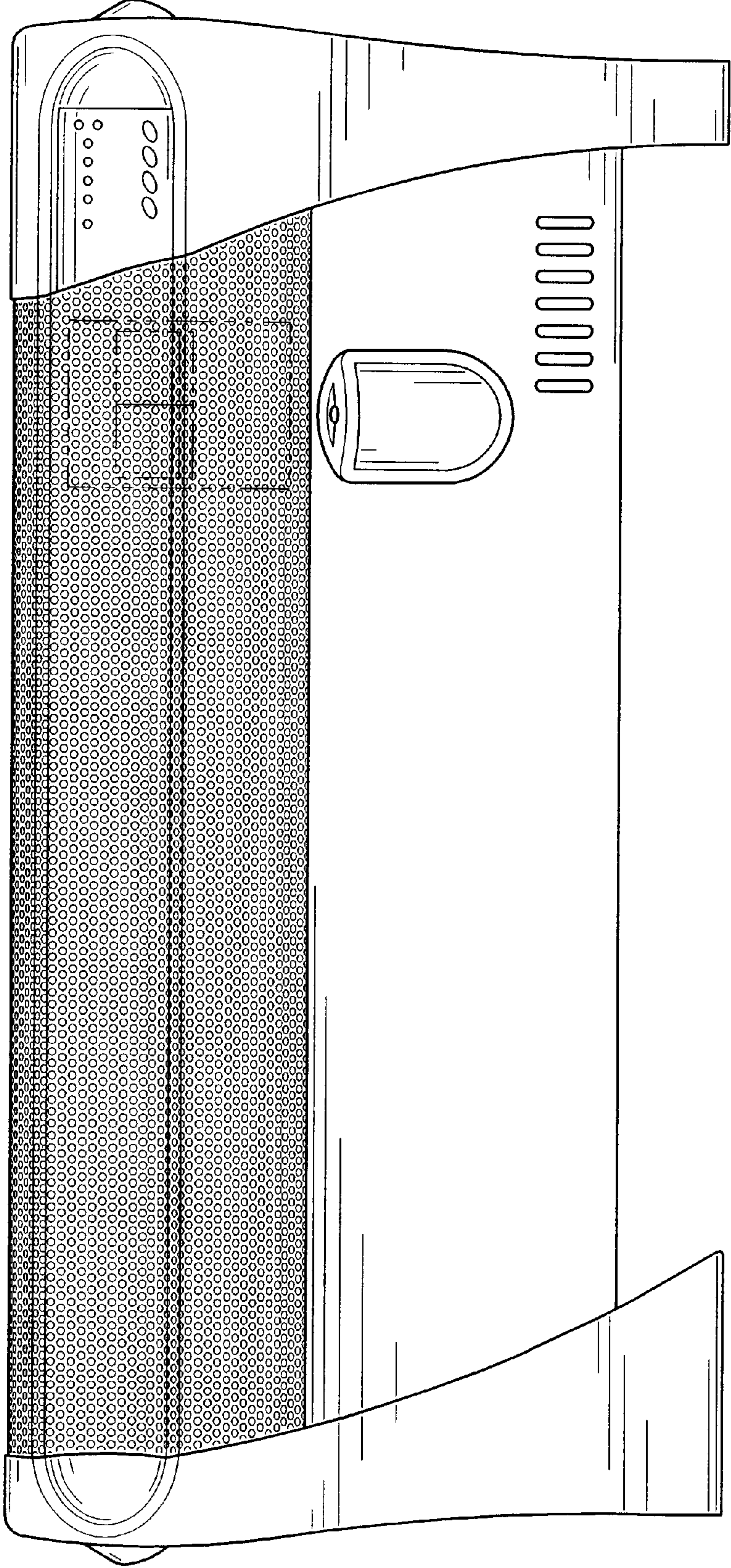
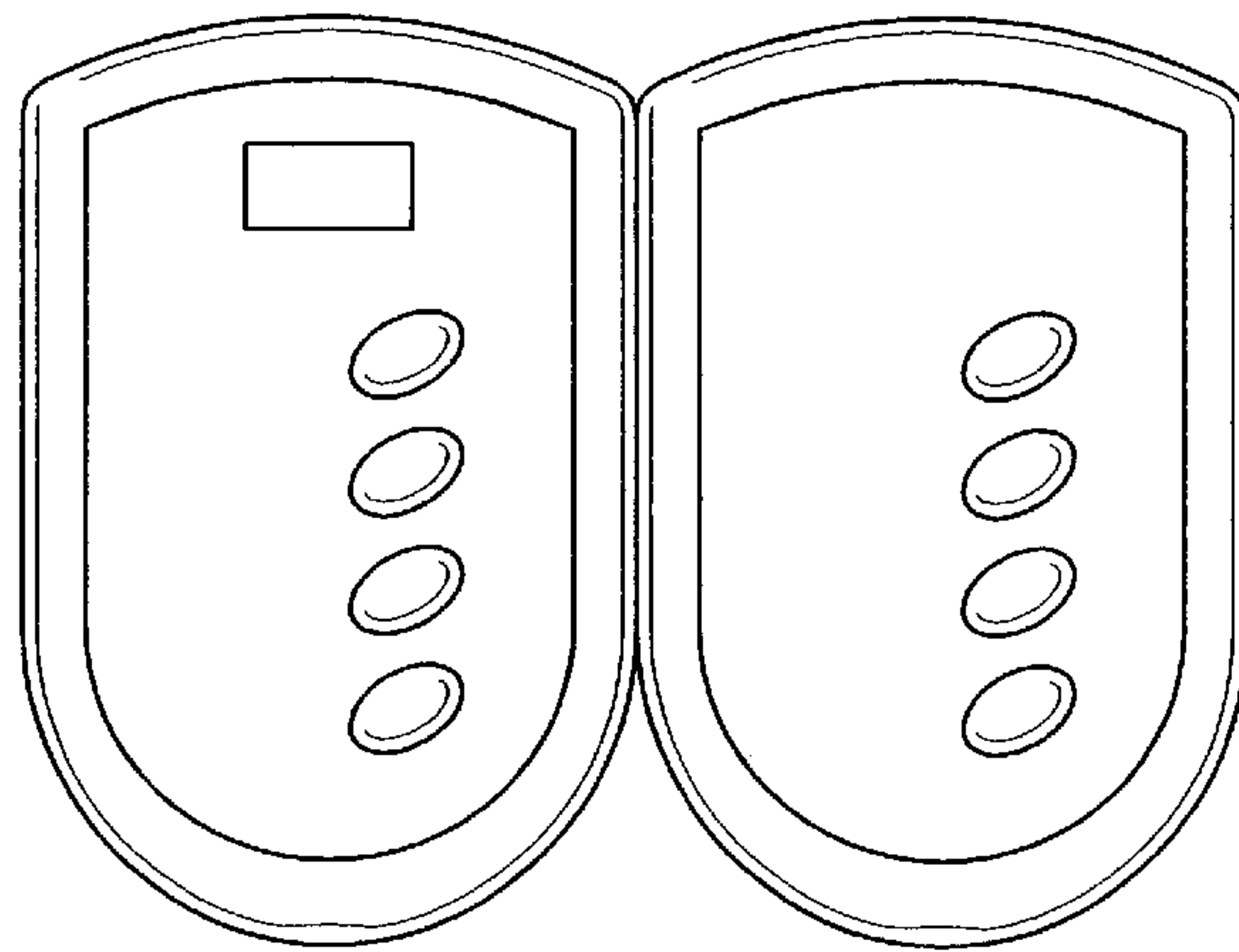
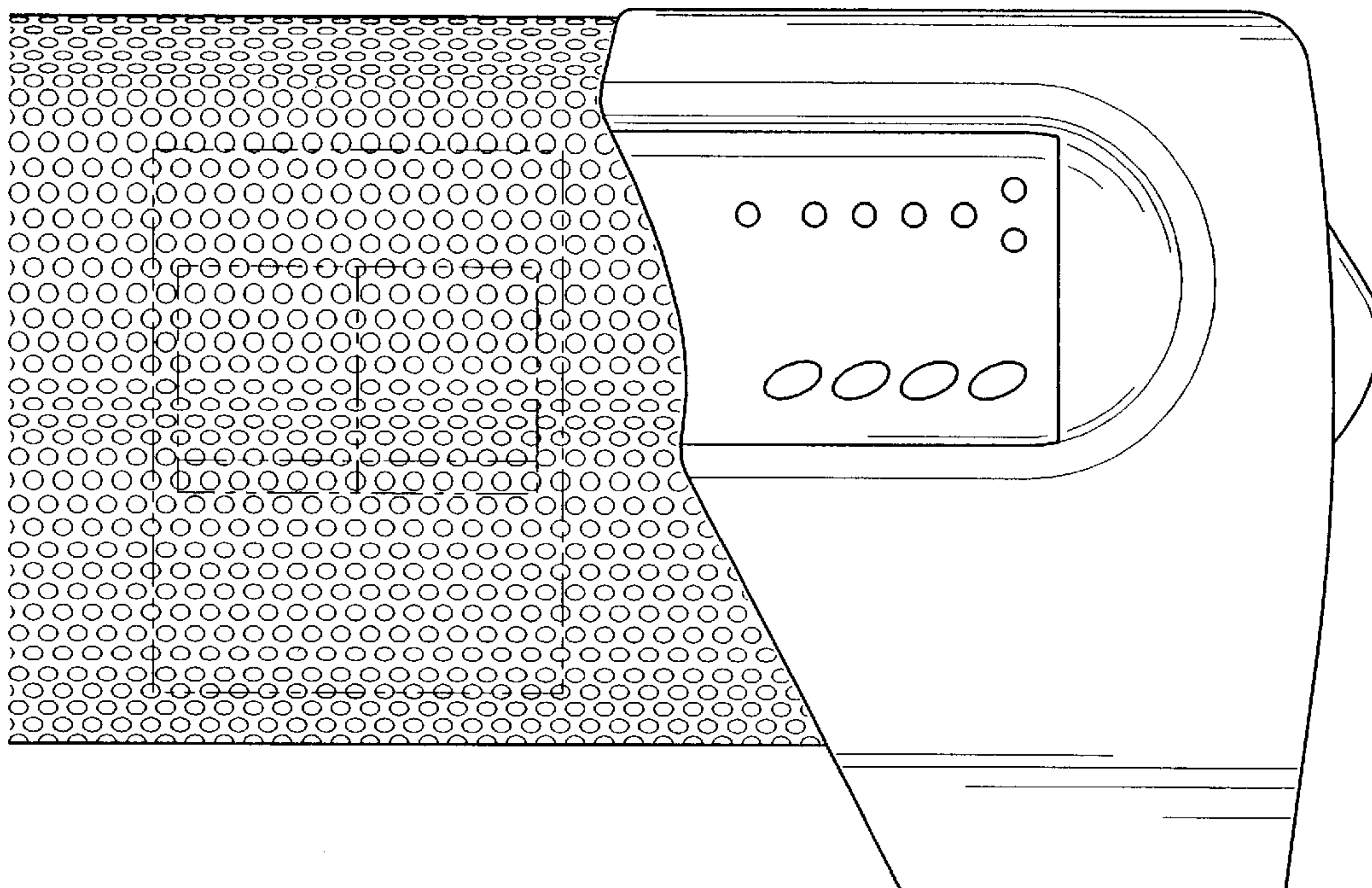


Fig. 2



*Fig. 3*



*Fig. 4*