



US00D514669S

(12) **United States Design Patent** (10) **Patent No.:** **US D514,669 S**  
**Copeland et al.** (45) **Date of Patent:** **\*\* Feb. 7, 2006**

(54) **PIPE GLAND EAR**

FOREIGN PATENT DOCUMENTS

(75) Inventors: **Daniel A. Copeland**, Bessemer, AL (US); **William H. Owen**, Fultondale, AL (US)

EP 0 334 380 A2 9/1989

(73) Assignee: **United States Pipe and Foundry Company**, Birmingham, AL (US)

OTHER PUBLICATIONS

(\*\*) Term: **14 Years**

U.S. Pipe and Foundry Company; Ductile Iron Mechanical Joint Fittings for Water or Other Liquids; Brochure 007; Dated Oct., 2002; pp. 1–3.

(21) Appl. No.: **29/207,352**

American National Standards Institute; American National Standard for Rubber–Gasket Joints for Ductile–Iron Pressure Pipe and Fittings; ANSI/AWWA C111/A21.11–00; Dated Jan. 23, 2003; §4.1–4.4; American Water Works Association.

(22) Filed: **Jun. 11, 2004**

American National Standards Institute; American National Standard for Ductile–Iron Compact Fittings for Water Service; ANSI/AWWA C153/A21.53–00; Dated 2000; Figure 1; American Water Works Association.

(51) **LOC (8) Cl.** ..... **23-01**

(52) **U.S. Cl.** ..... **D23/262**

(58) **Field of Classification Search** ..... D23/262, D23/265, 259; 285/356, 303, 337

See application file for complete search history.

*Primary Examiner*—Robin V. Taylor

(74) *Attorney, Agent, or Firm*—Alston & Bird LLP

(56) **References Cited**

(57) **CLAIM**

U.S. PATENT DOCUMENTS

The ornamental design for a pipe gland ear, as shown and described.

D16,160 S	7/1885	Crane	
1,940,729 A	12/1933	Pfefferle	
2,288,904 A	7/1942	Hudson	
2,412,487 A	12/1946	Amley et al.	
2,792,240 A	5/1957	Risley et al.	
2,861,822 A	* 11/1958	Risley et al.	285/348
3,065,000 A	11/1962	Stanton	
D208,388 S	8/1967	Graham	
3,334,661 A	* 8/1967	Milette	138/89
3,433,509 A	3/1969	Jeffery et al.	
3,726,549 A	* 4/1973	Bradley, Jr.	285/356
3,936,451 A	2/1976	Orem et al.	
3,964,521 A	6/1976	Kao et al.	
3,964,522 A	6/1976	Kao et al.	
D240,428 S	7/1976	Hoffman	
4,007,298 A	2/1977	Feehan et al.	
4,014,827 A	3/1977	Hart et al.	
4,026,586 A	5/1977	Kennedy, Jr. et al.	
4,108,481 A	8/1978	Graham	
4,113,286 A	9/1978	Kennedy, Jr.	
4,128,265 A	12/1978	Fenster et al.	
4,280,732 A	7/1981	Haspert	
4,309,050 A	1/1982	Legris	

**DESCRIPTION**

FIG. 1 is a perspective view of a pipe gland ear according to the present design;

FIG. 2 is a front elevation view of the pipe gland ear shown in FIG. 1;

FIG. 3 is a bottom plan view of the pipe gland ear shown in FIG. 1, with the top plan view of the pipe gland ear shown in FIG. 1 being a mirror image of FIG. 3;

FIG. 4 is a section view of the pipe gland ear shown in FIG. 3, taken along section line 4–4;

FIG. 5 is a section view of the pipe gland ear shown in FIG. 3, taken along section line 5–5;

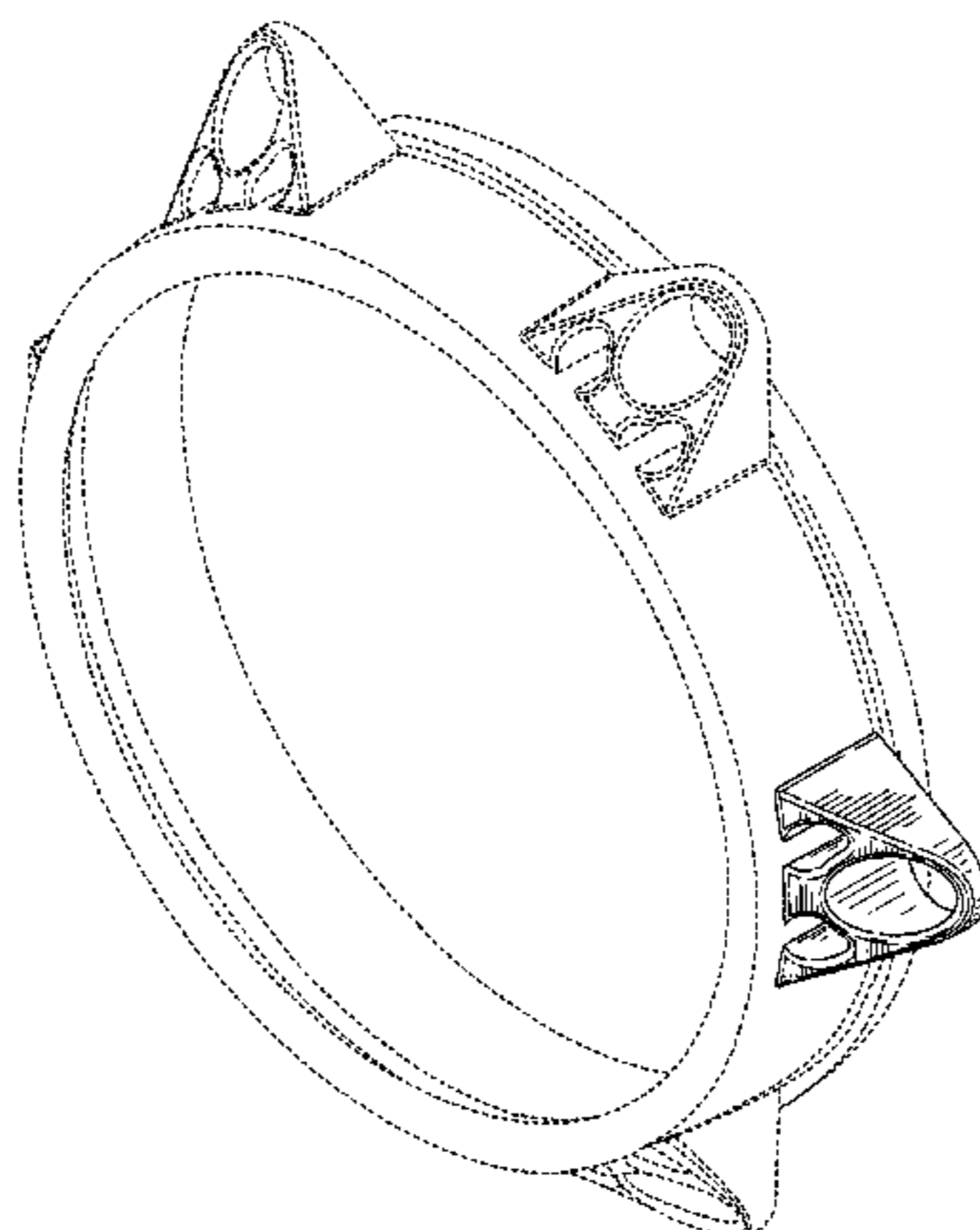
FIG. 6 is a right elevation view of the pipe gland ear shown in FIG. 1; and,

FIG. 7 is a rear elevation view of the pipe gland ear shown in FIG. 1.

The broken lines shown herein are for illustrative purposes only and form no part of the claimed design.

(Continued)

**1 Claim, 7 Drawing Sheets**



# US D514,669 S

Page 2

## U.S. PATENT DOCUMENTS

4,407,893 A	10/1983	Malizio	D310,868 S	9/1990	Wilder	
4,413,733 A	11/1983	Dunn et al.	5,067,751 A	11/1991	Walworth et al.	
4,437,242 A	3/1984	Battle	D339,975 S	* 10/1993	Bird et al. ....	D8/354
4,437,501 A	3/1984	Canada et al.	5,269,569 A	12/1993	Weber et al.	
4,506,931 A	3/1985	Haspert	5,295,697 A	3/1994	Weber et al.	
4,532,957 A	8/1985	Battle et al.	5,335,946 A	8/1994	Dent et al.	
4,540,204 A	9/1985	Battle et al.	5,336,998 A	8/1994	Watts et al.	
D284,022 S	5/1986	Milot et al.	5,398,980 A	3/1995	Hunter et al.	
4,660,866 A	4/1987	Jones et al.	5,464,228 A	11/1995	Weber et al.	
4,685,705 A	8/1987	Jones	D390,923 S	* 2/1998	Stevens .....	D23/262
D294,384 S	2/1988	Endo et al.	D397,090 S	8/1998	Gray	
4,750,194 A	6/1988	Russell	5,803,513 A	9/1998	Richardson	
4,756,784 A	7/1988	Jones et al.	6,214,203 B1	4/2001	Horton	
4,791,976 A	12/1988	Malizio et al.	6,289,600 B1	9/2001	Watts	
4,832,084 A	5/1989	Malizio et al.	6,331,242 B1	12/2001	Horton	
4,867,488 A	9/1989	Jones	D453,816 S	* 2/2002	Sato et al. ....	D23/262
4,871,197 A	10/1989	Codding, III et al.	6,497,151 B1	12/2002	Watts et al.	
4,878,698 A	11/1989	Gilchrist	6,502,867 B2	1/2003	Holmes, IV et al.	

\* cited by examiner

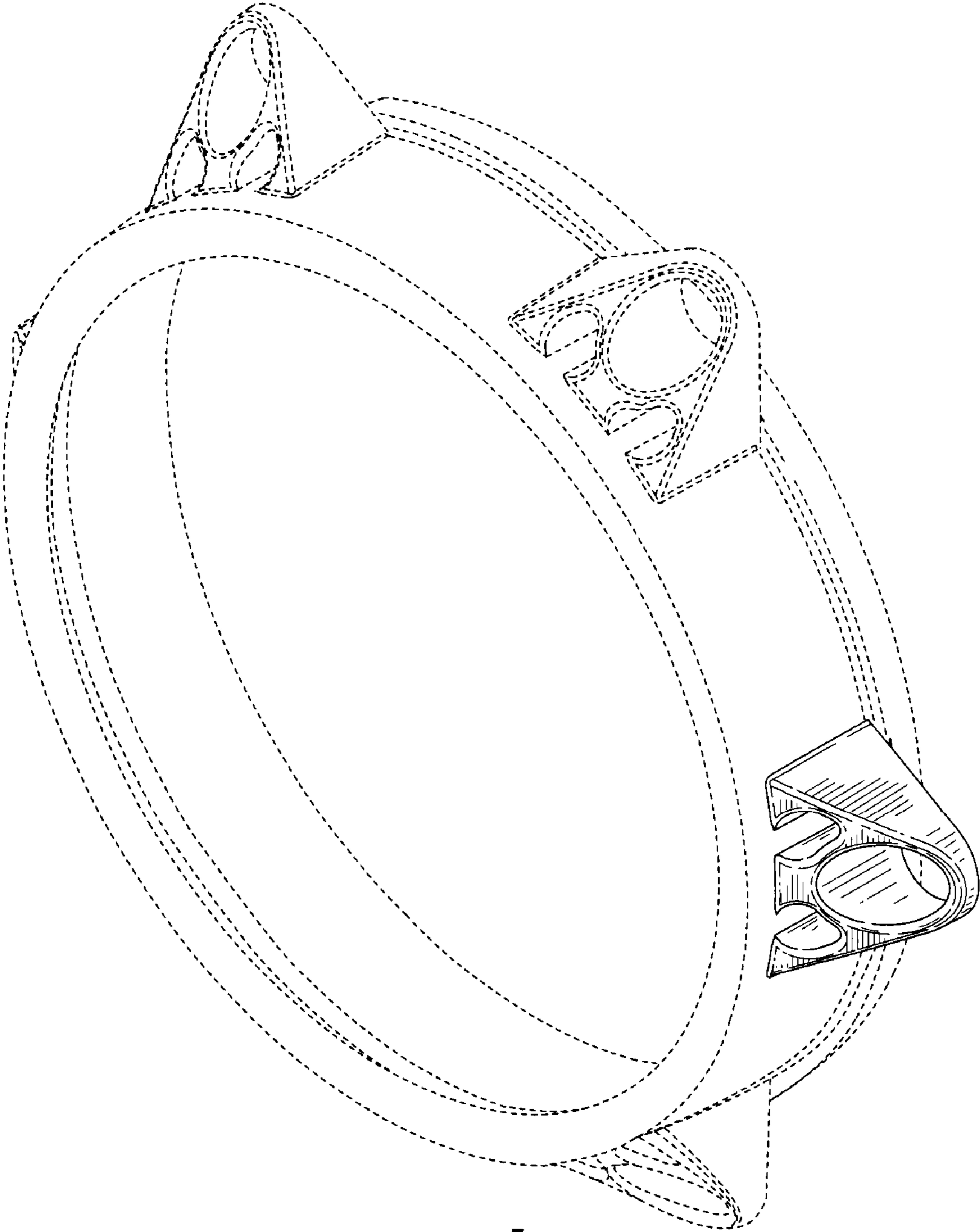
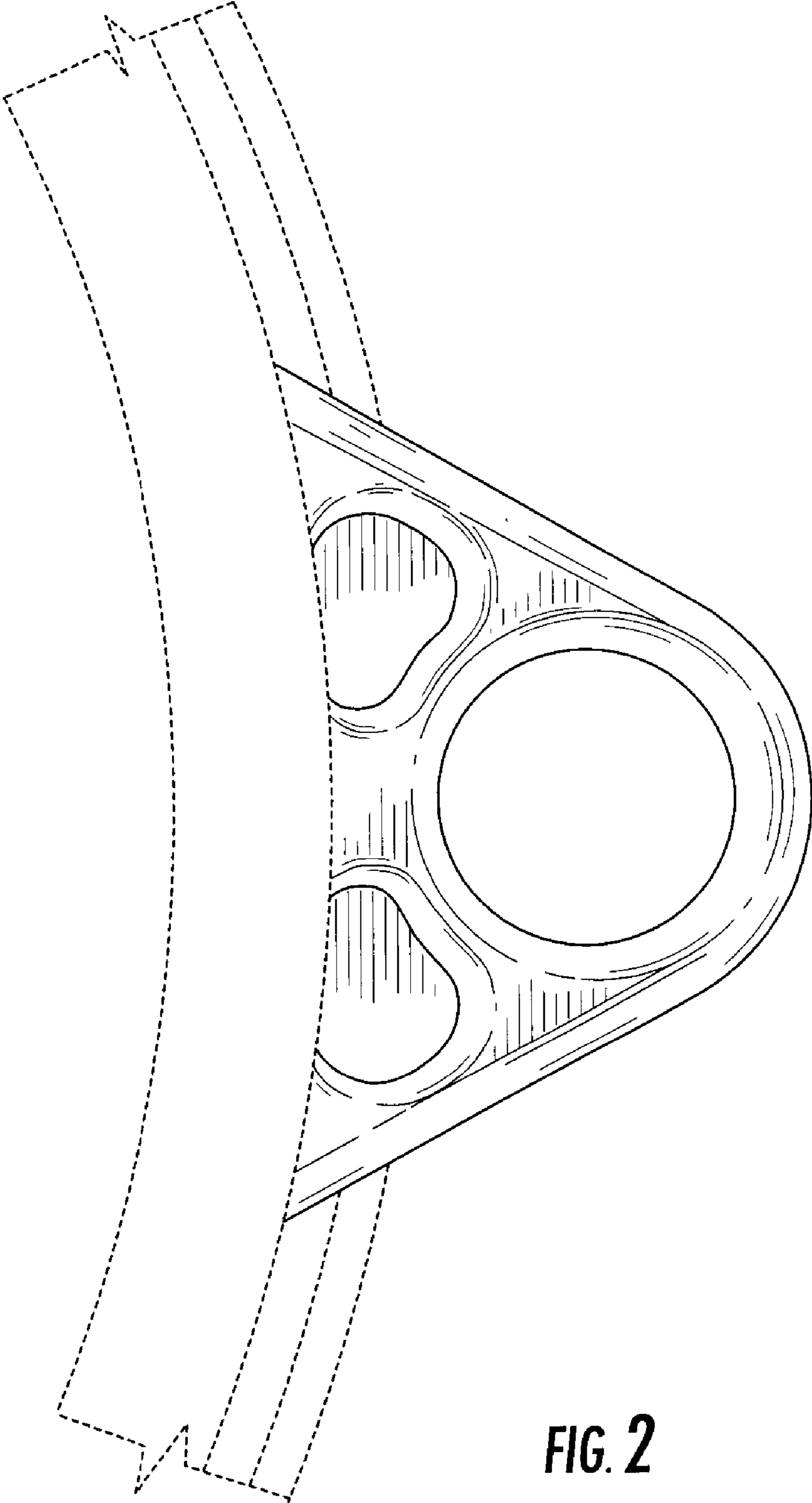


FIG. 1



**FIG. 2**

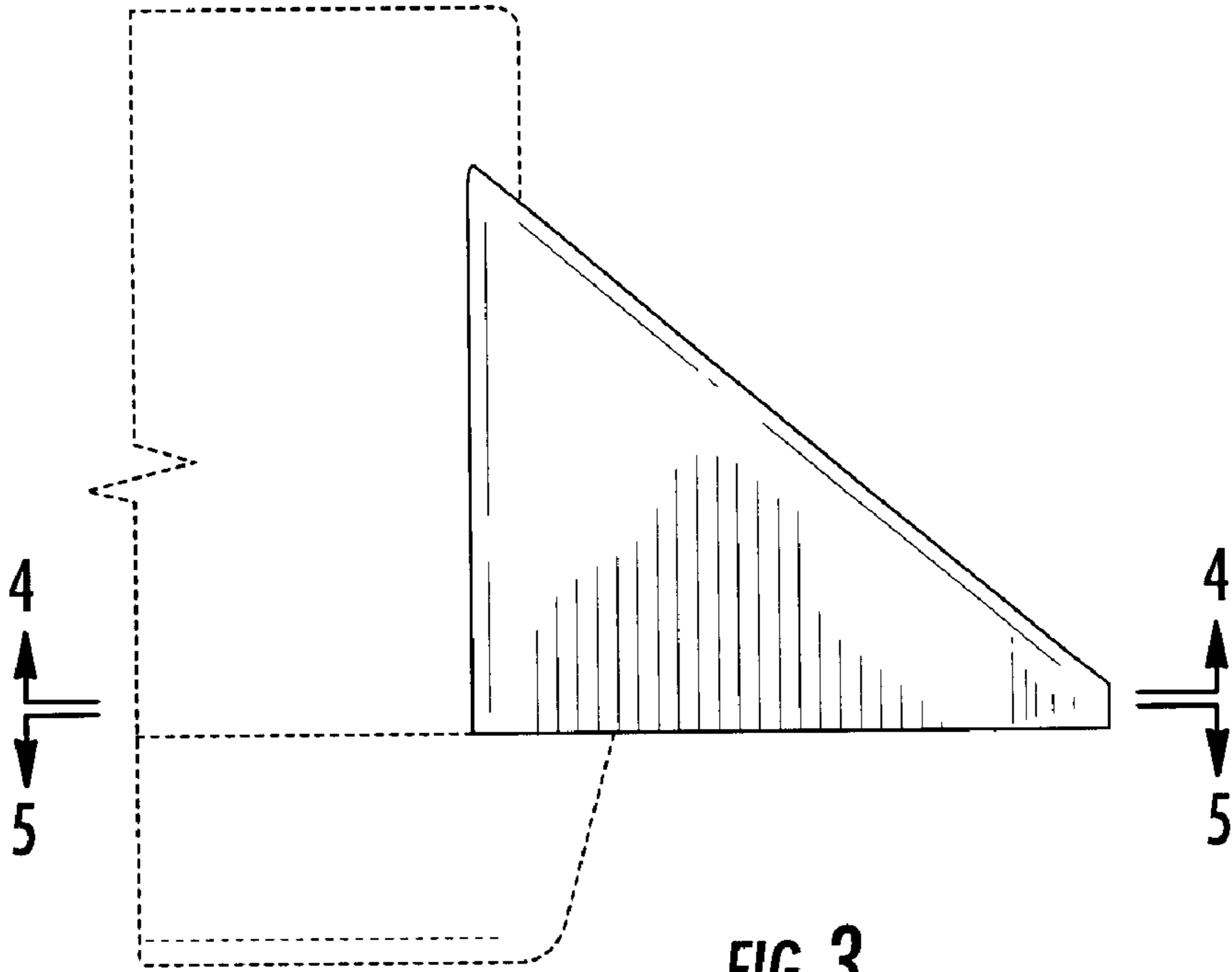
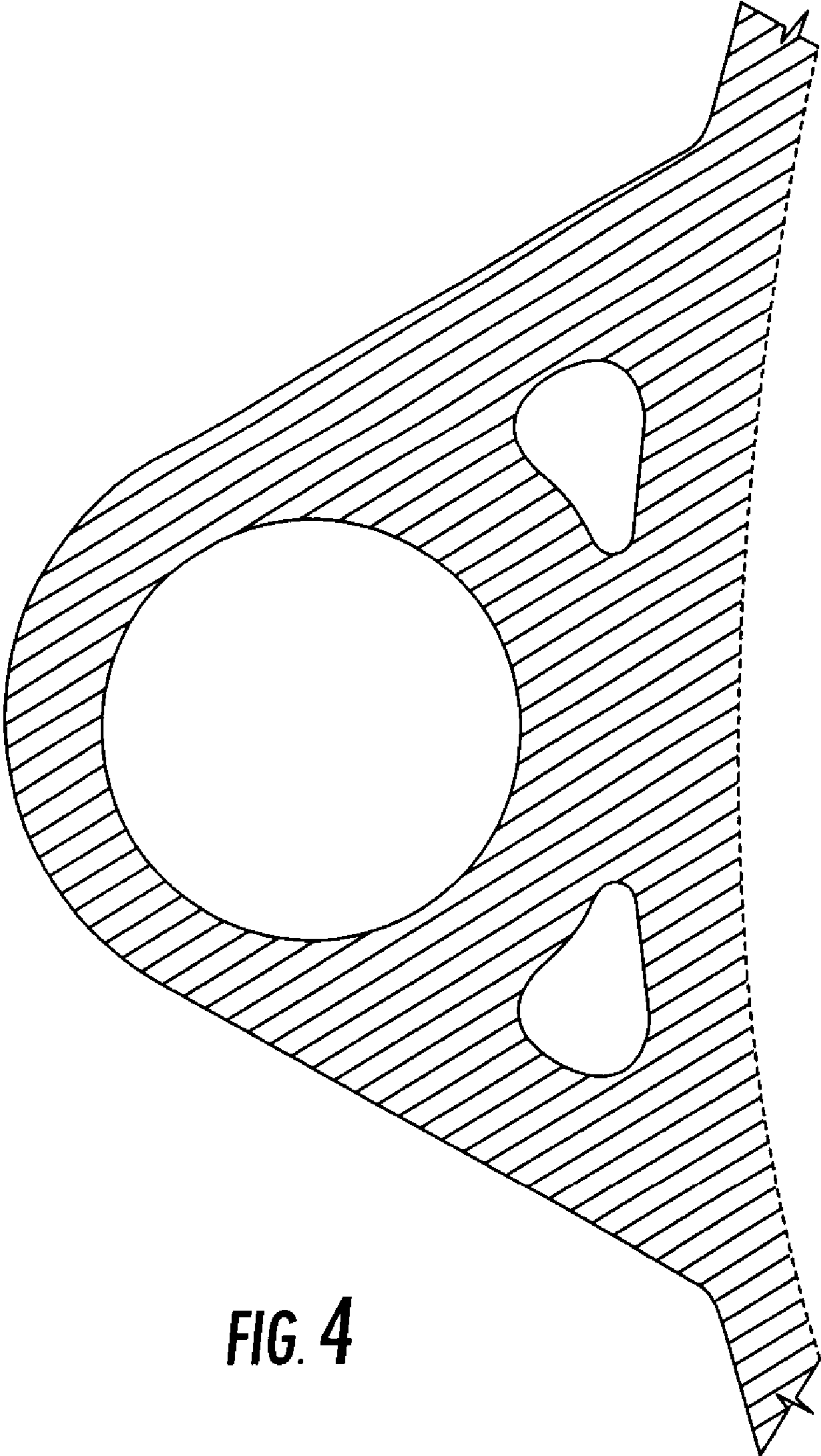
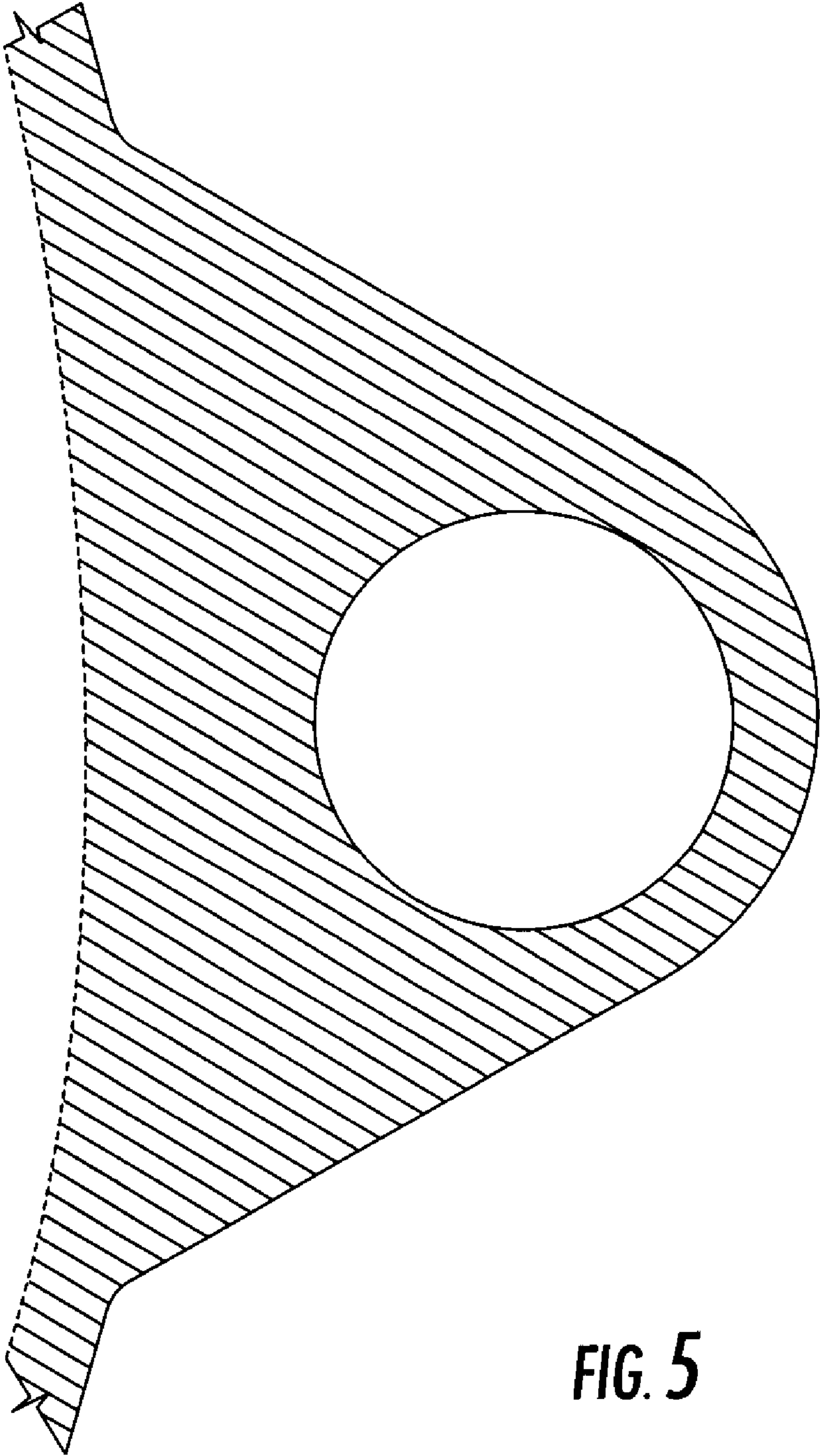


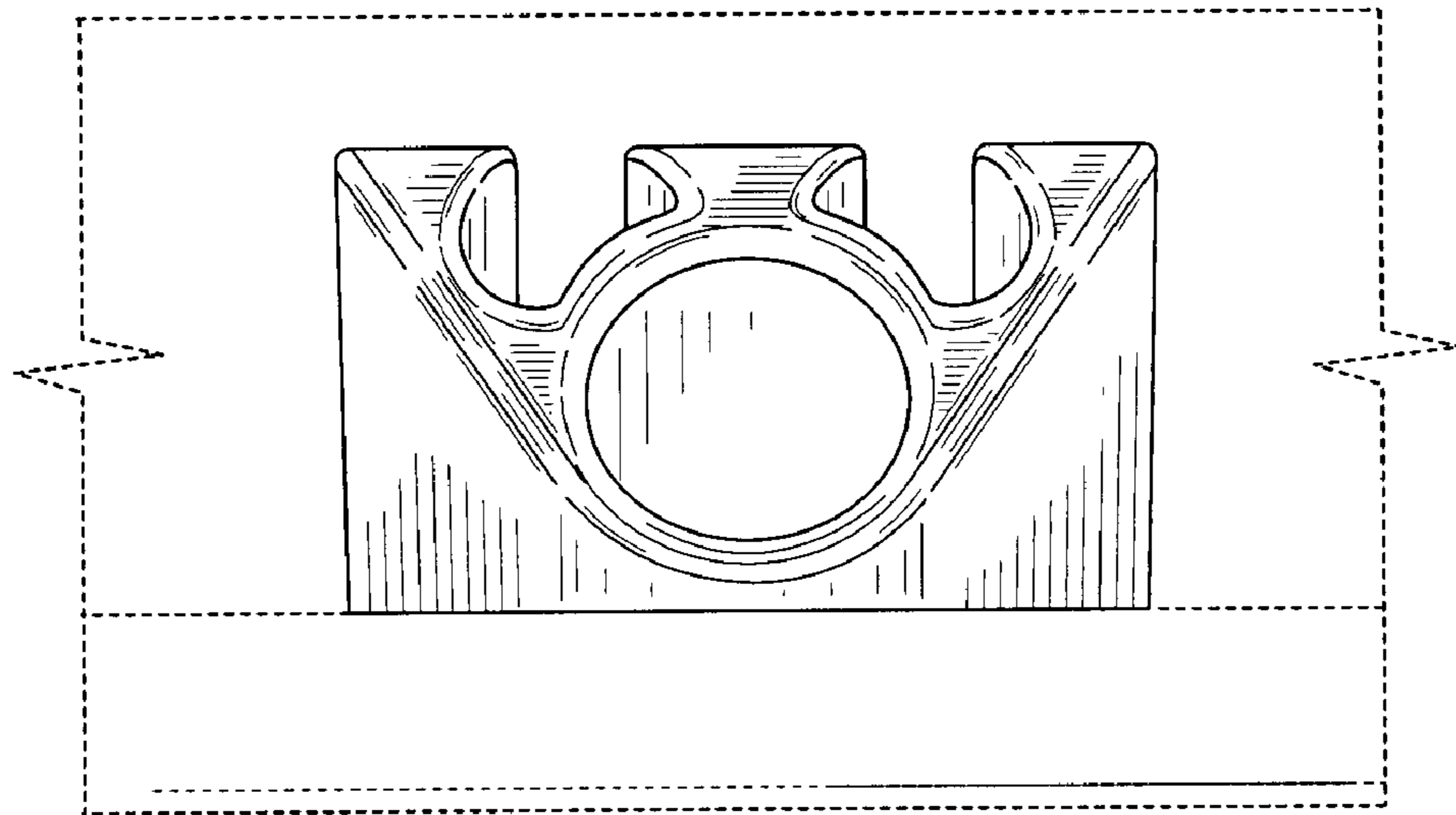
FIG. 3



**FIG. 4**

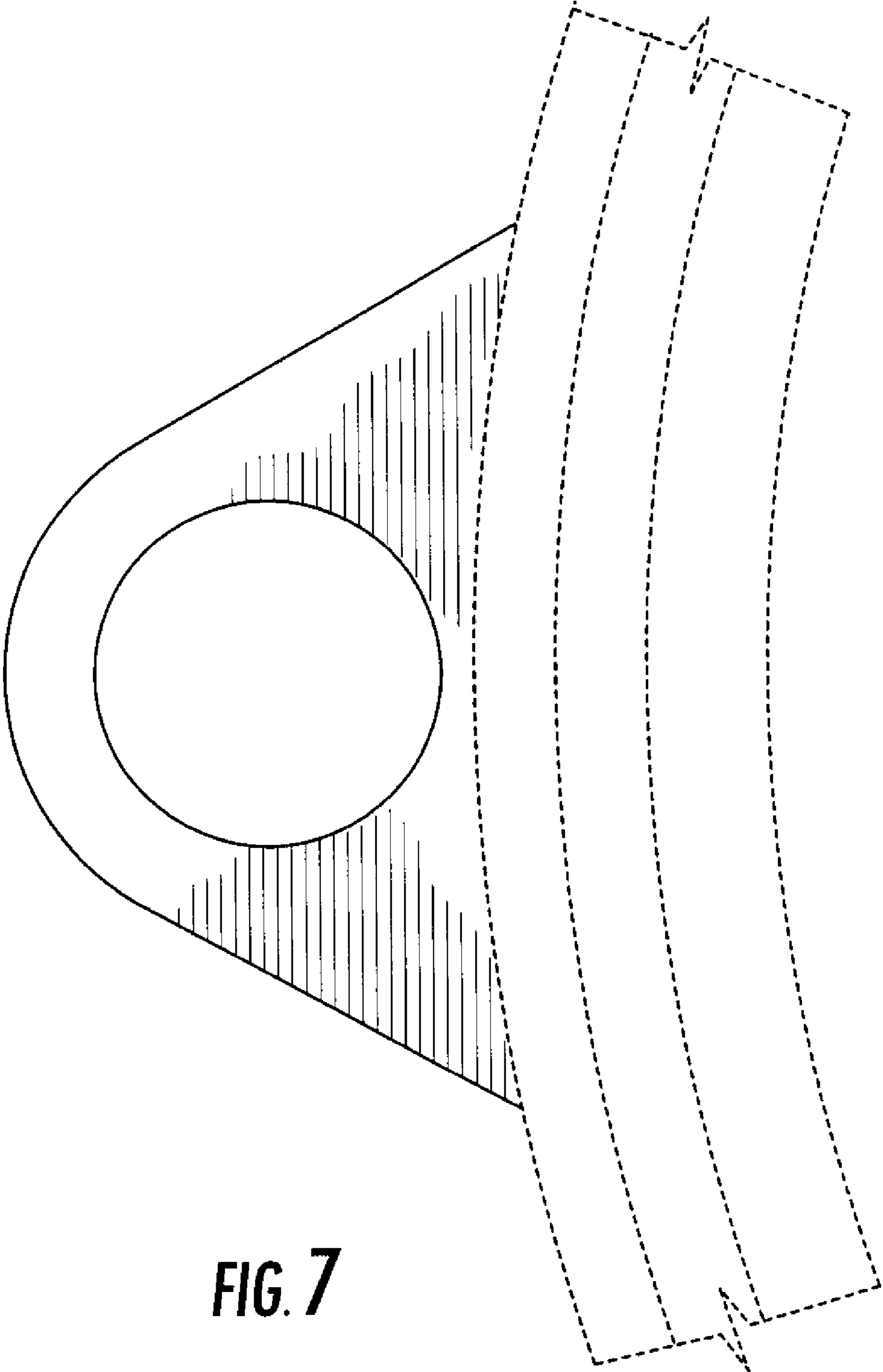


**FIG. 5**



**FIG. 6**





**FIG. 7**