



US00D514668S

(12) **United States Design Patent** (10) **Patent No.:** **US D514,668 S**
Brancato (45) **Date of Patent:** **** Feb. 7, 2006**

- (54) **AUTO RACING THEME FAUCET**
 (76) Inventor: **Paul Brancato**, 319 Lowell St.,
 Somerville, MA (US) 02145
 (**) Term: **14 Years**
 (21) Appl. No.: **29/202,337**
 (22) Filed: **Mar. 30, 2004**
 (51) **LOC (8) Cl.** **23-01**
 (52) **U.S. Cl.** **D23/256**
 (58) **Field of Classification Search** D23/238-257;
 4/675-678; 137/801; D12/194
 See application file for complete search history.

- (56) **References Cited**
U.S. PATENT DOCUMENTS
 D461,230 S * 8/2002 Ko D23/255
 D488,539 S * 4/2004 McKeone D23/255
 D488,755 S * 4/2004 Kulla D12/194
 D492,013 S * 6/2004 Citterio D23/255

* cited by examiner

Primary Examiner—Louis S. Zarfes
Assistant Examiner—Gregory Andoll
 (74) *Attorney, Agent, or Firm*—Robert K. Tandler

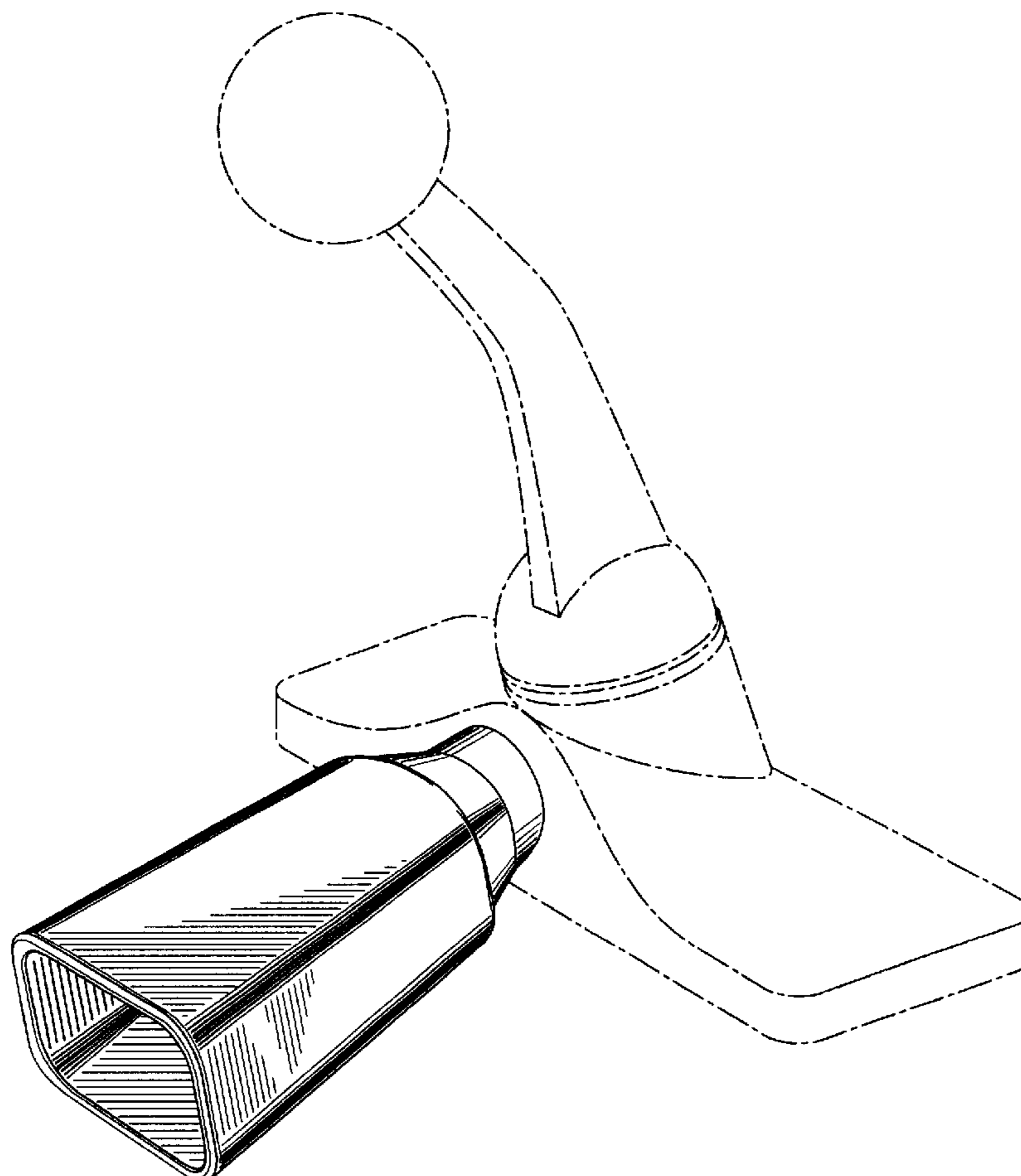
(57) **CLAIM**

The ornamental design for an auto racing theme faucet, as shown.

DESCRIPTION

FIG. 1 is a three-quarter front view of the auto racing theme faucet of the present invention;
 FIG. 2 is a front perspective view of the auto racing theme faucet of FIG. 1;
 FIG. 3 is a rear view of the auto racing theme faucet of FIG. 1;
 FIG. 4 is a side view of the auto racing theme faucet of FIG. 1; and,
 FIG. 5 is a top perspective view of the auto racing theme faucet of FIG. 1.
 The broken lines in the Figures are for illustrative purposes only and form no part of the claimed design.

1 Claim, 5 Drawing Sheets



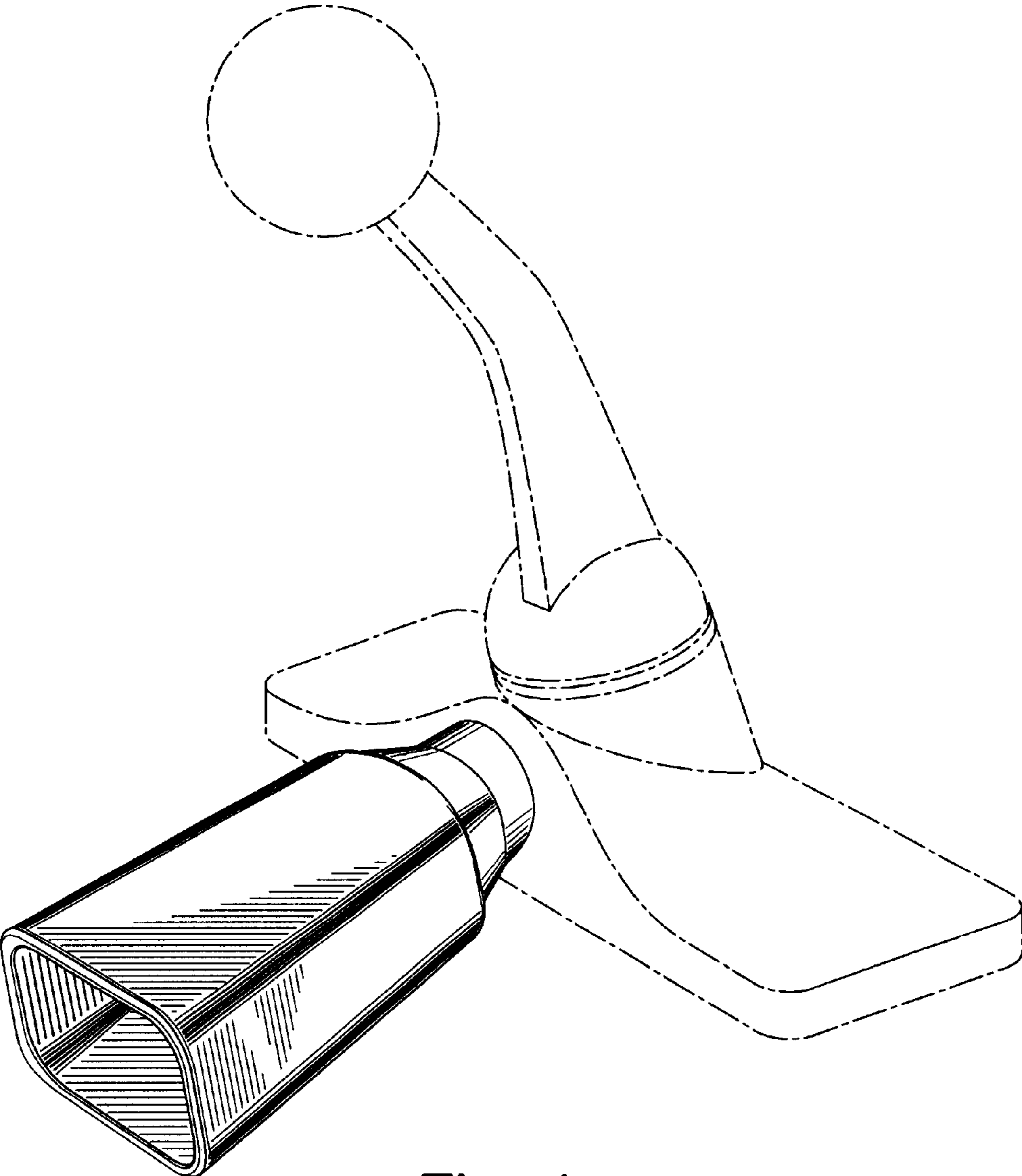


Fig. 1

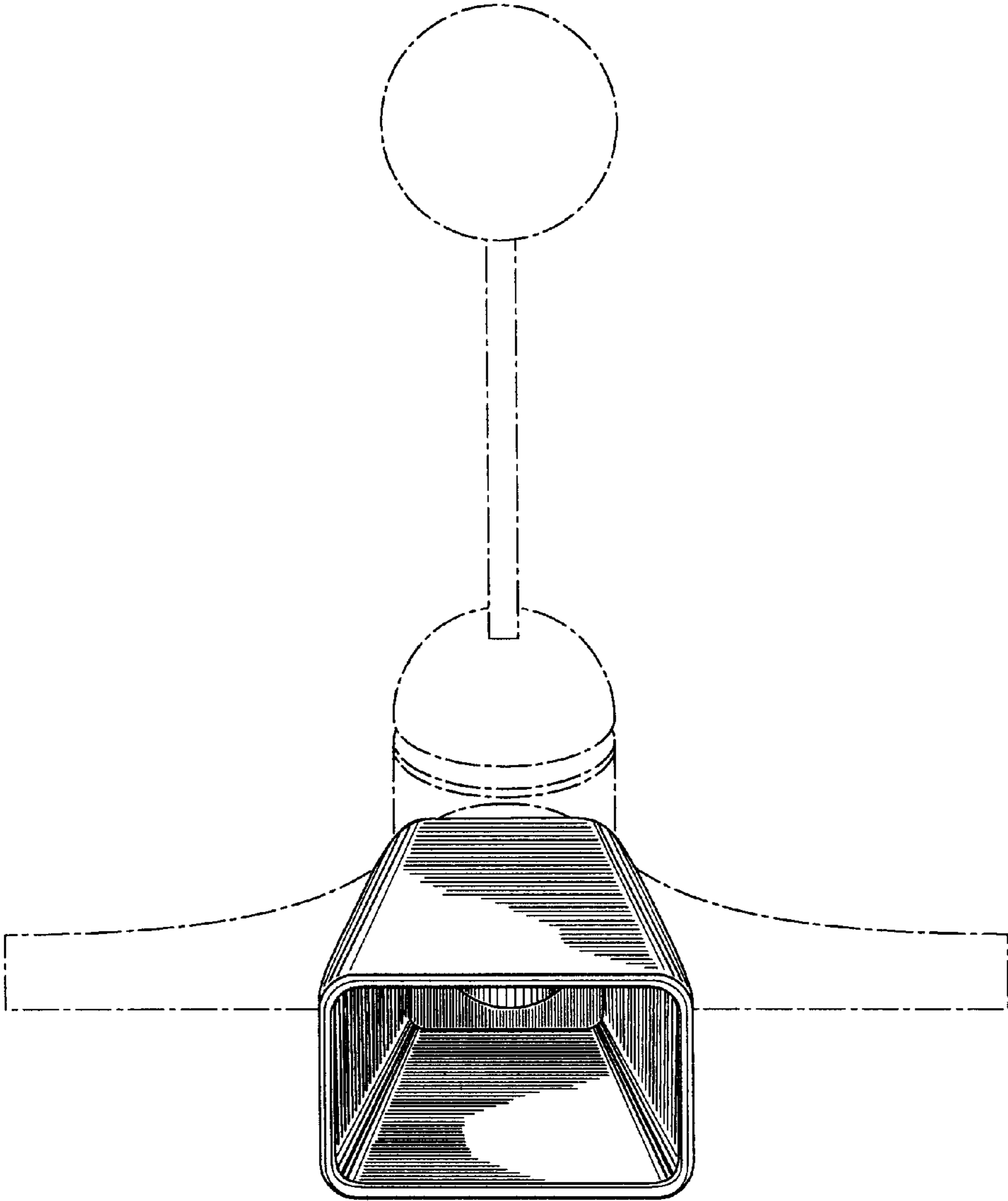


Fig. 2

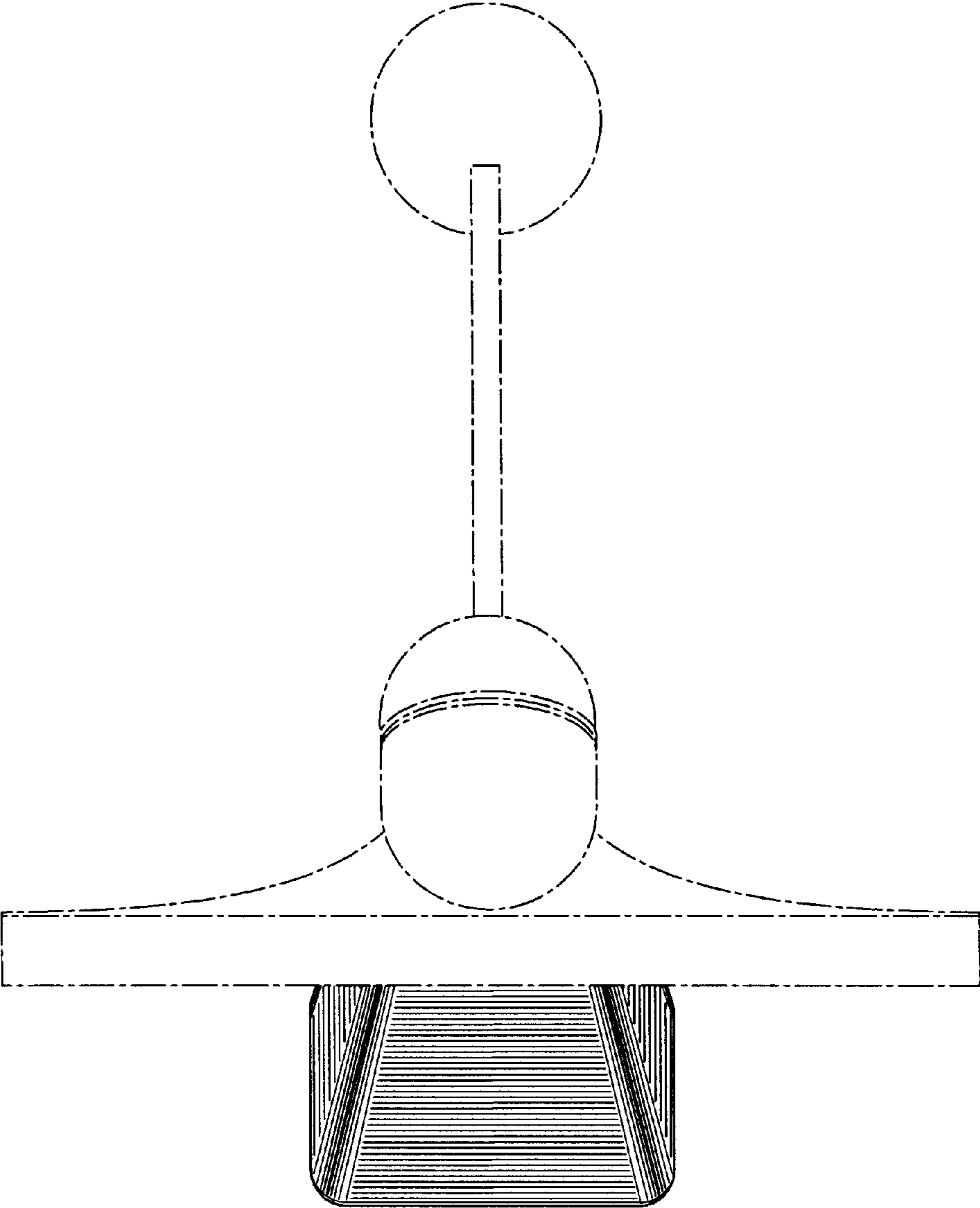


Fig. 3

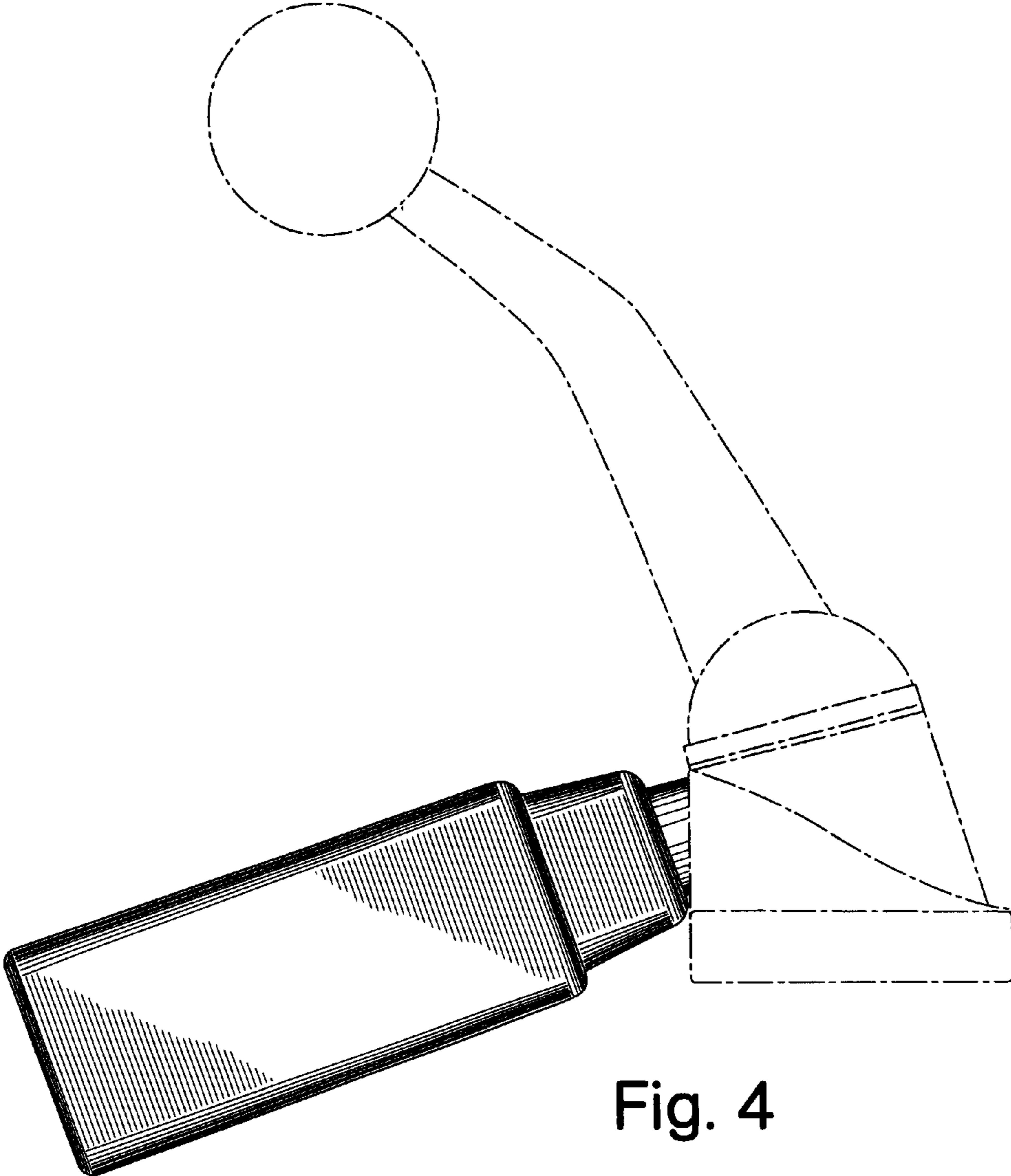


Fig. 4

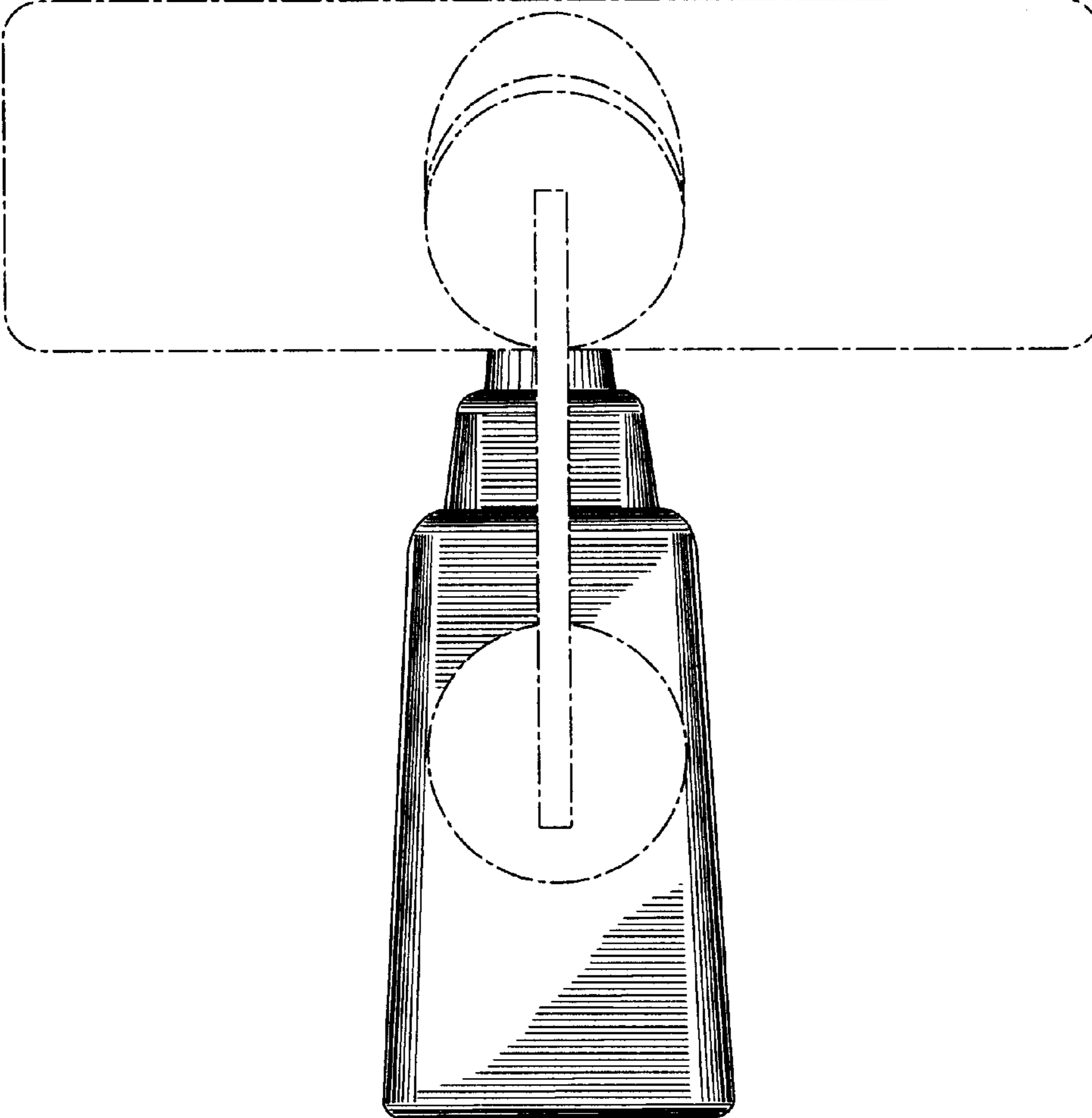


Fig. 5