

US00D514664S

(12) **United States Design Patent**
Starck

(10) **Patent No.:** **US D514,664 S**

(45) **Date of Patent:** **** Feb. 7, 2006**

(54) **TUB SPOUT**

(75) **Inventor:** **Philippe Starck, Paris (FR)**

(73) **Assignee:** **HAnsgrohe AG (DE)**

(**) **Term:** **14 Years**

(21) **Appl. No.:** **29/209,057**

(22) **Filed:** **Jul. 9, 2004**

(30) **Foreign Application Priority Data**

Jan. 14, 2004 (EM) 125000-0007

(51) **LOC (8) Cl.** **23-01**

(52) **U.S. Cl.** **D23/238**

(58) **Field of Classification Search** D23/238-257;
4/675-678; 137/801

See application file for complete search history.

(56) **References Cited**

U.S. PATENT DOCUMENTS

D233,235 S * 10/1974 Arbon D23/238

D479,739 S * 9/2003 Citterio D23/238

D493,210 S * 7/2004 Citterio D23/238

D500,841 S * 1/2005 Citterio D23/238

* cited by examiner

Primary Examiner—Louis S. Zarfes

Assistant Examiner—Gregory Andoll

(74) *Attorney, Agent, or Firm*—Kwadjo Adusei-Poku;
Lloyd D. Doigan

(57) **CLAIM**

The ornamental design for a tub spout, as shown and described.

DESCRIPTION

FIG. 1 is a front perspective view of a tub spout showing my new design;

FIG. 2 is a left side elevational view thereof;

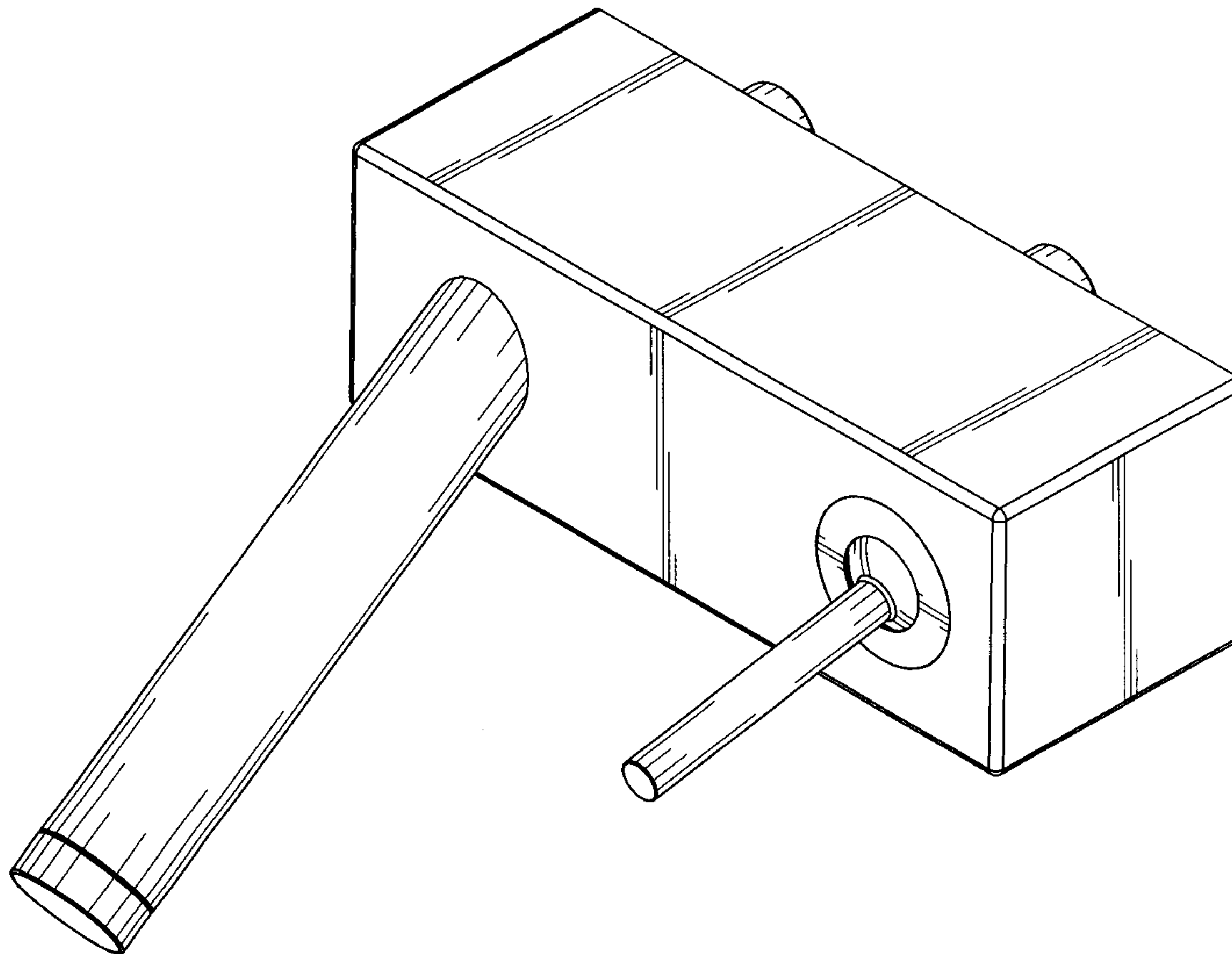
FIG. 3 is a front elevational view thereof;

FIG. 4 is a top plan view thereof;

FIG. 5 is a right side elevational view thereof; and,

FIG. 6 is a bottom plan view thereof.

1 Claim, 5 Drawing Sheets



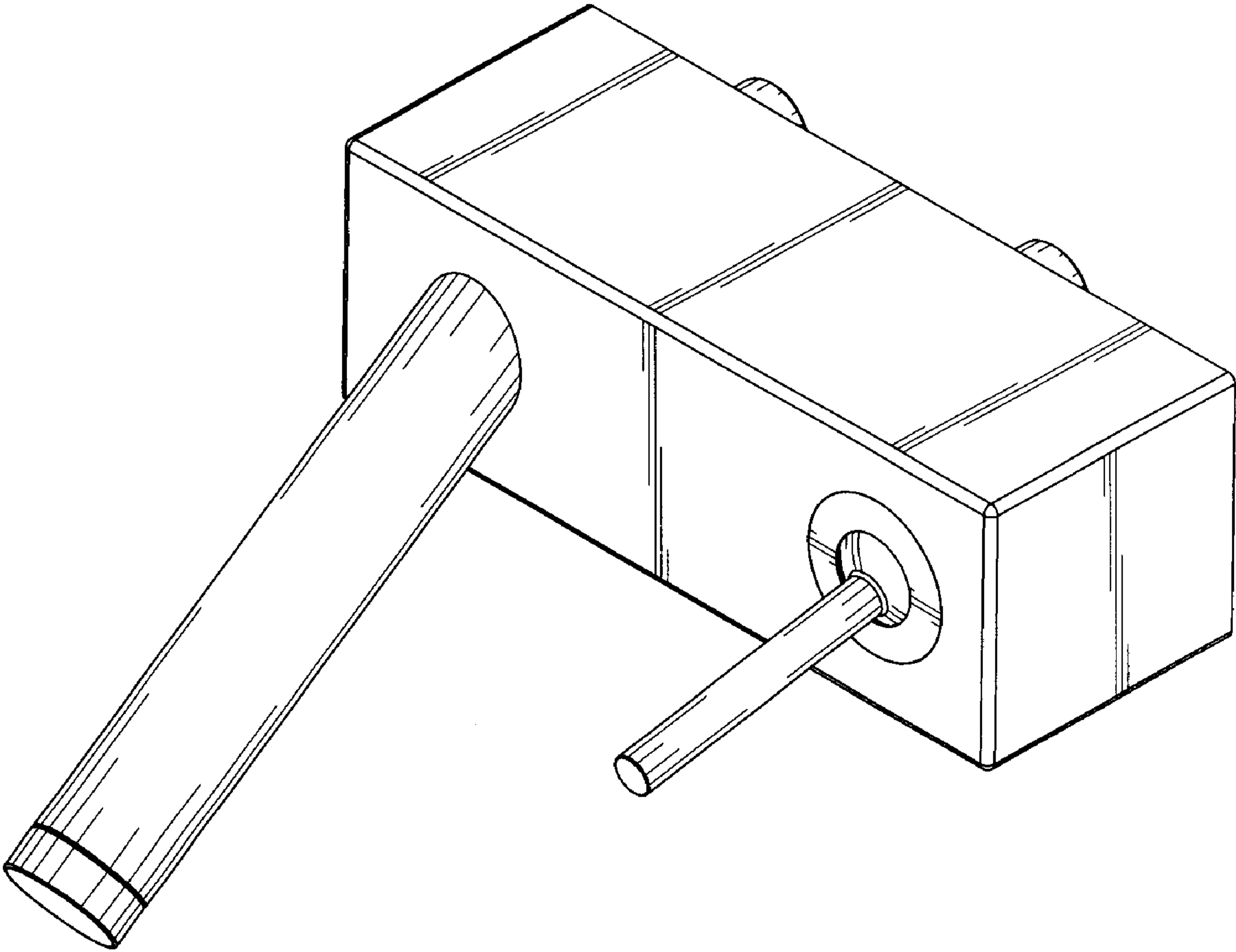


FIG - 1

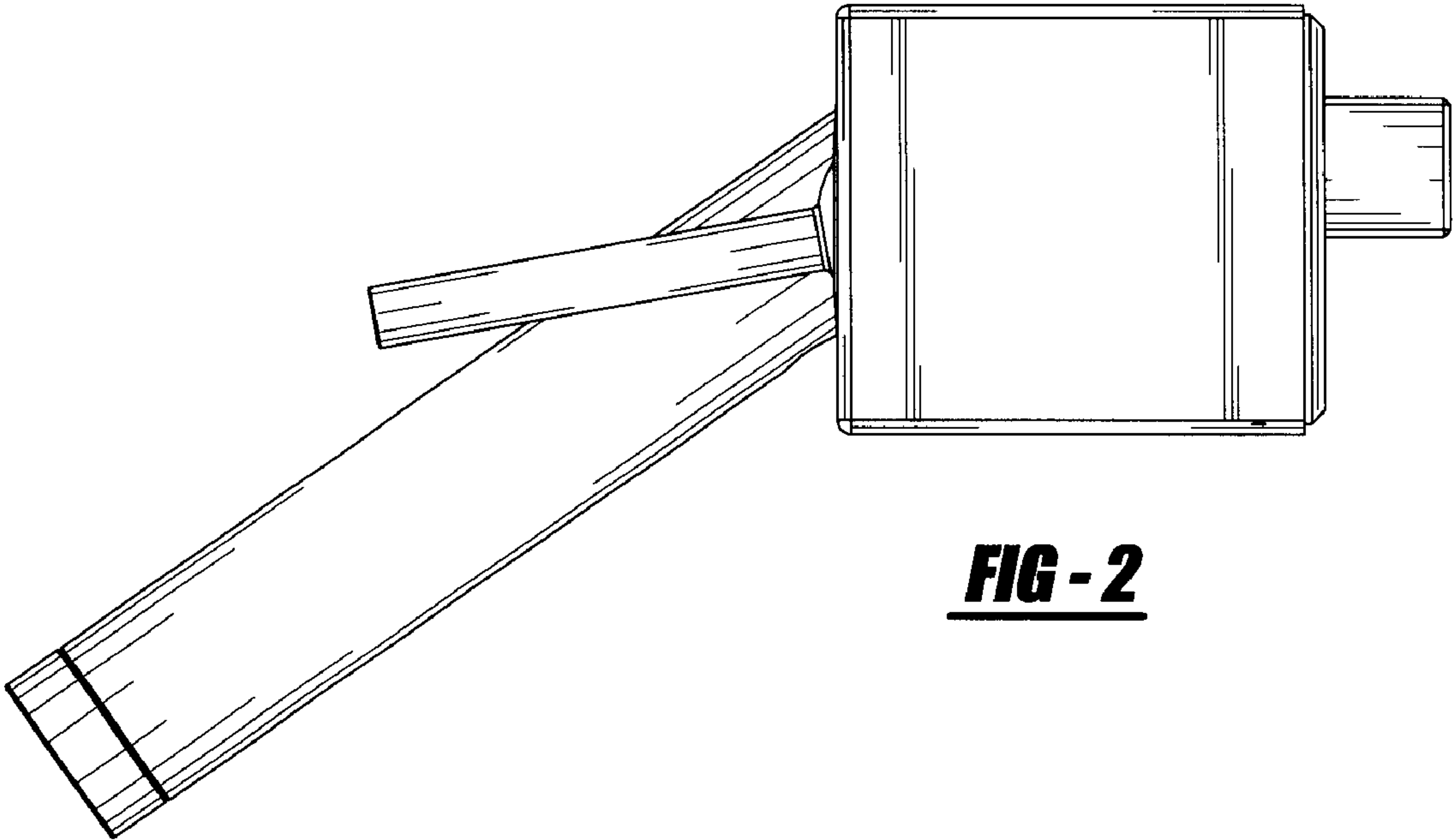


FIG - 2

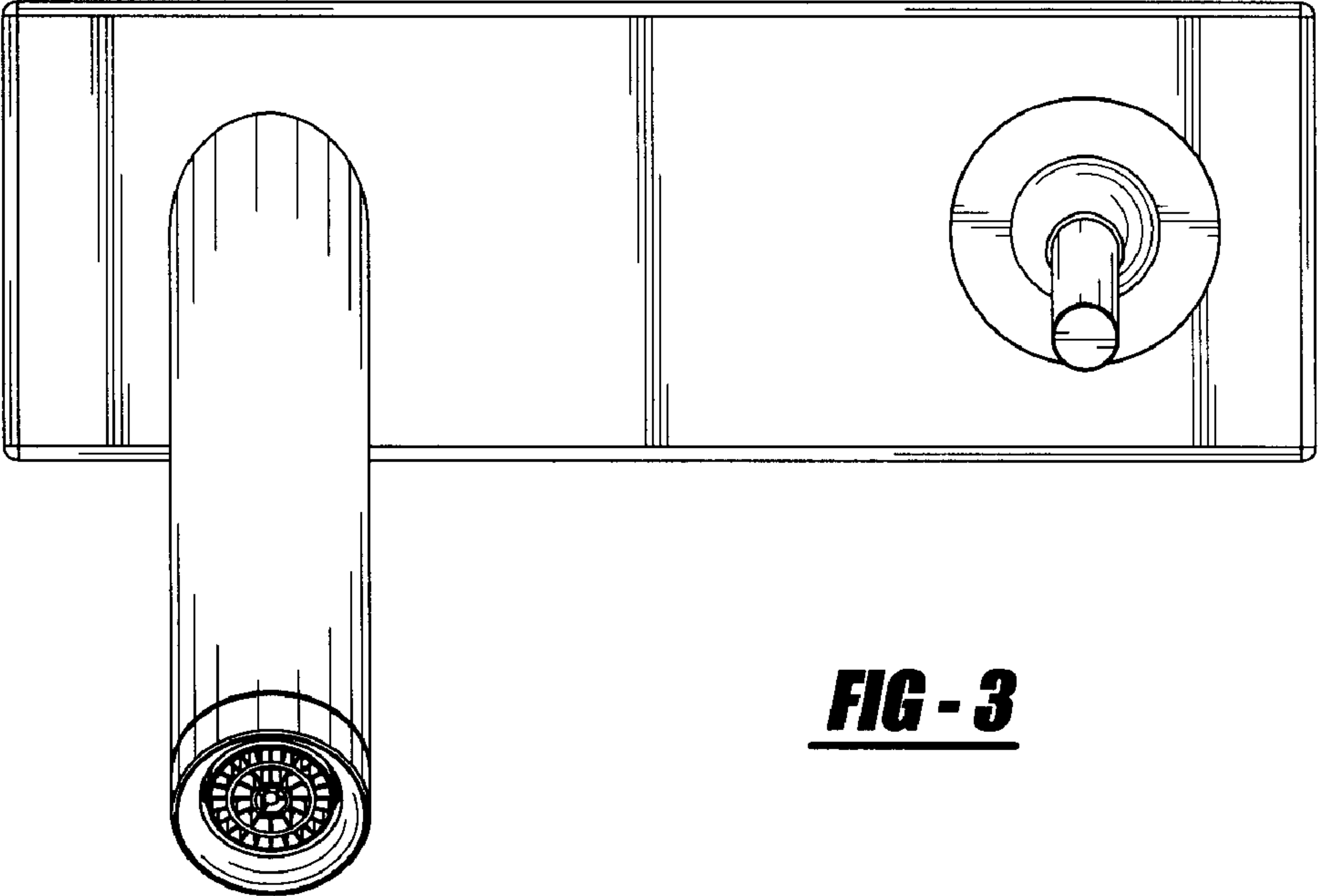


FIG - 3

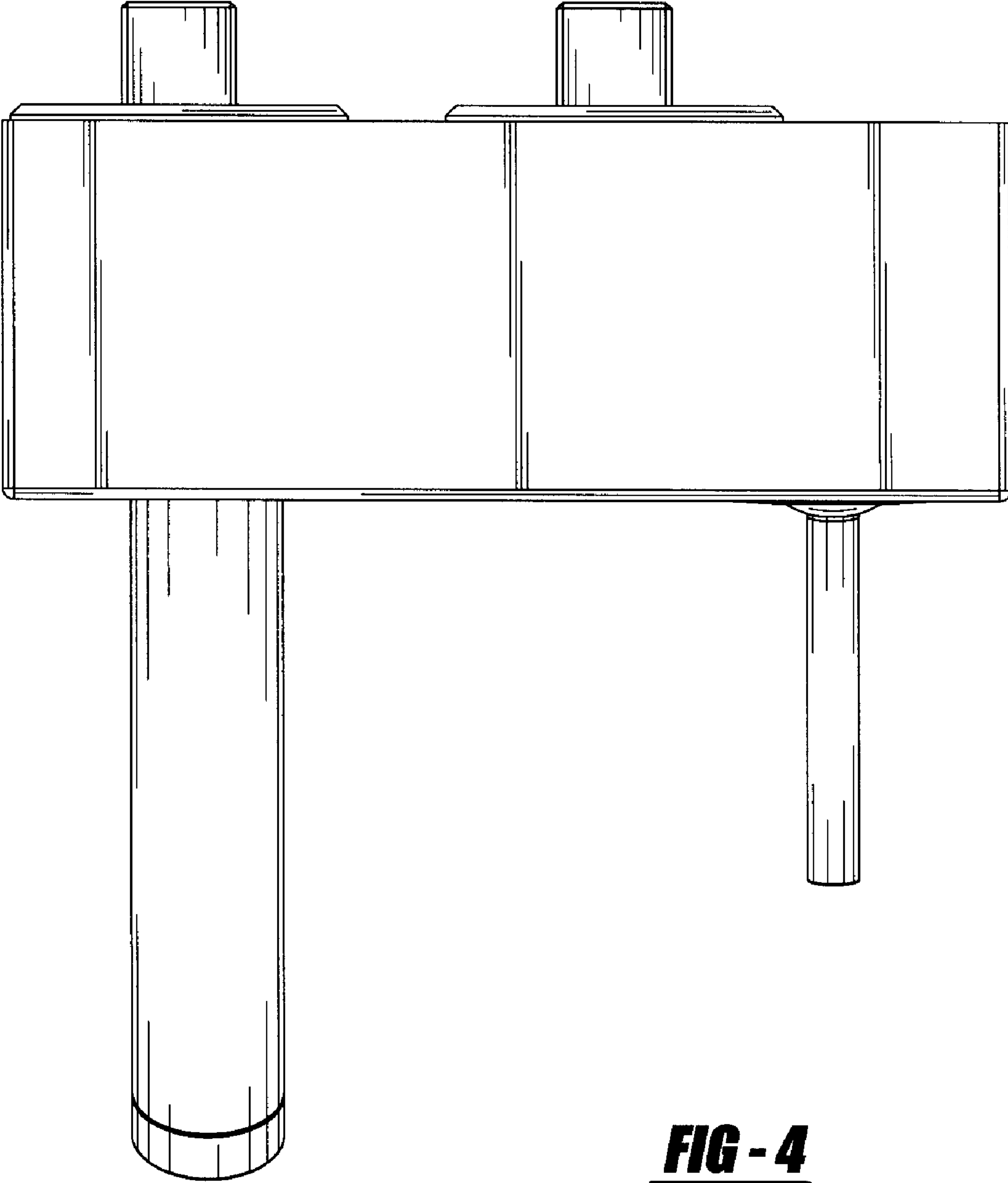


FIG - 4

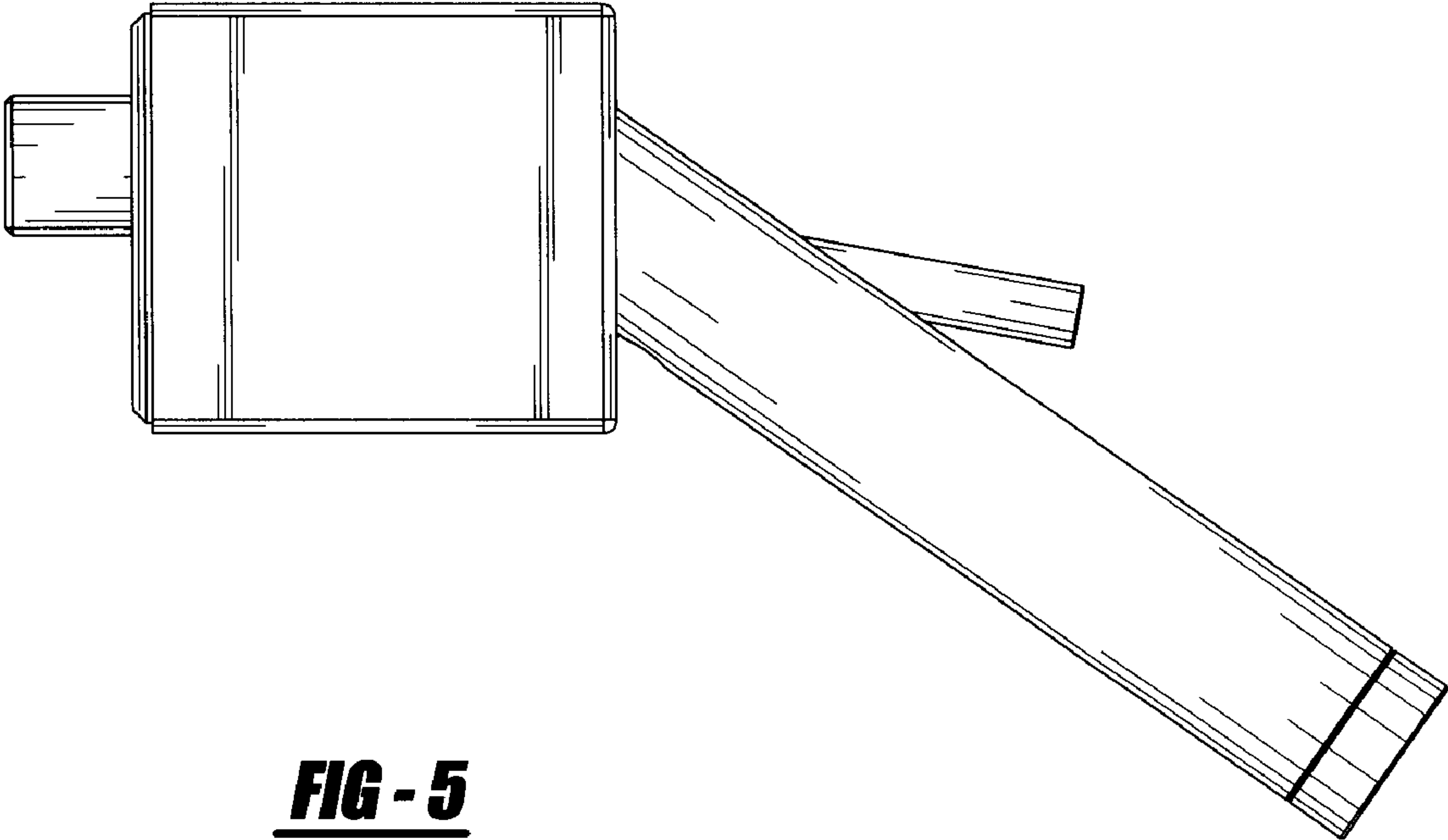


FIG - 5

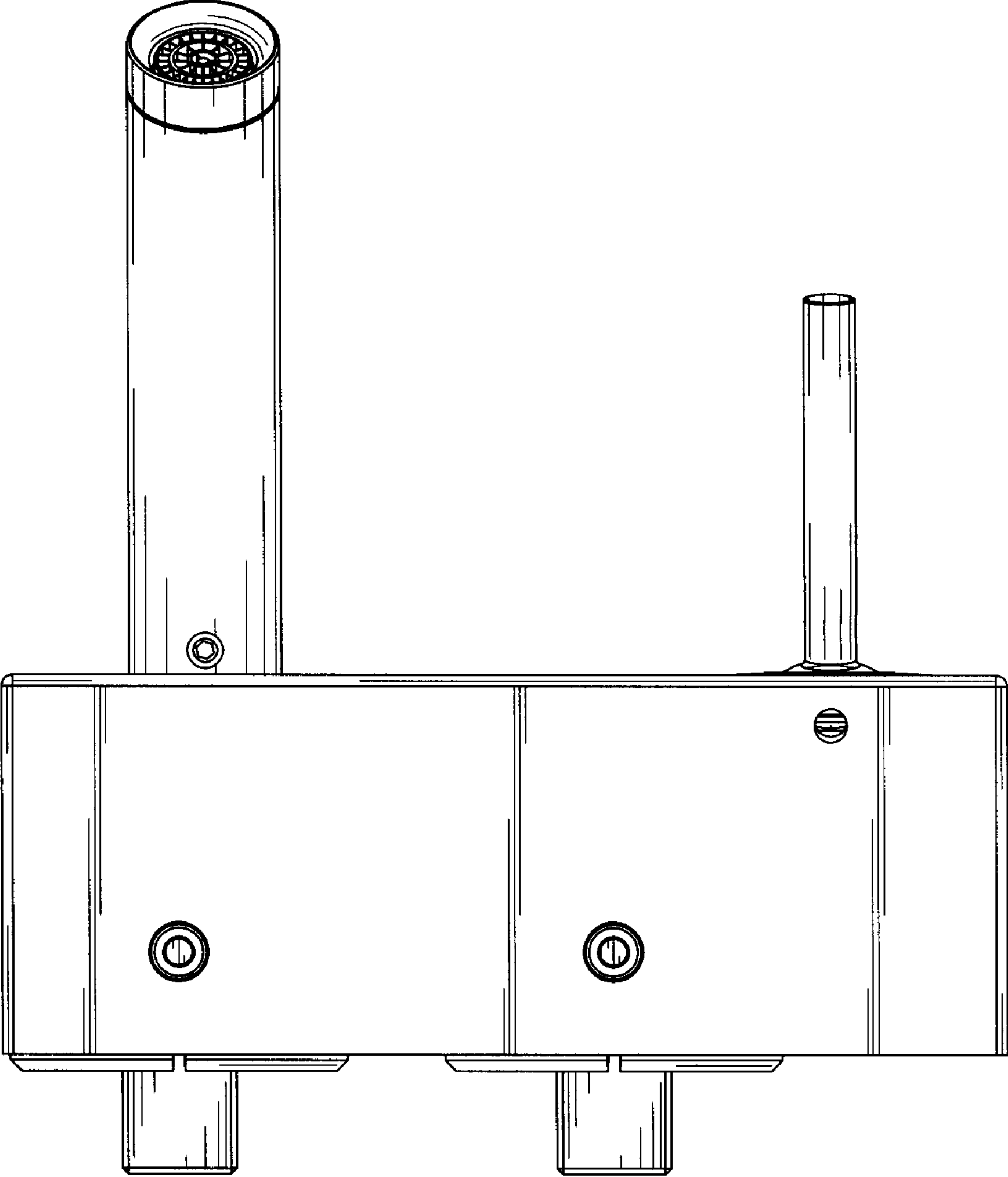


FIG - 6