



US00D514660S

(12) **United States Design Patent**  
**Murrell**

(10) **Patent No.:** **US D514,660 S**

(45) **Date of Patent:** **\*\* Feb. 7, 2006**

(54) **FISHING LURE AND BAIT CAGE**

(76) **Inventor:** **Rodney D. Murrell**, P.O. Box 404,  
Baston, TX (US) 77519

(\*\*) **Term:** **14 Years**

(21) **Appl. No.:** **29/214,350**

(22) **Filed:** **Sep. 30, 2004**

(51) **LOC (8) Cl.** ..... **22-05**

(52) **U.S. Cl.** ..... **D22/136**

(58) **Field of Classification Search** ..... D22/134-136,  
D22/149, 199; 43/54.1, 55, 43.1, 25-26,  
43/21.2; 206/315.11; D3/260

See application file for complete search history.

(56) **References Cited**

**U.S. PATENT DOCUMENTS**

2,844,907 A	7/1958	Merton	.....	43/44.99
4,051,620 A	10/1977	Yasuda et al.	.....	43/44.99
D249,539 S	* 9/1978	Lightfoot	.....	D22/136
4,603,502 A	8/1986	MacDonald	.....	43/41
D294,283 S	* 2/1988	Yuen	.....	D22/123
4,788,788 A	12/1988	Brockett	.....	43/44.99
D299,946 S	2/1989	Dorsey	.....	248/504
4,829,705 A	5/1989	Dorsey	.....	43/44.99
4,890,413 A	* 1/1990	Nelson et al.	.....	43/55

D323,698 S	* 2/1992	Nelson et al.	.....	D22/136
D345,779 S	* 4/1994	Baggett et al.	.....	D22/139
5,319,875 A	6/1994	Brandolino	.....	43/42.06
5,603,182 A	2/1997	Wilson	.....	43/44.99
D485,329 S	* 1/2004	Haws	.....	D22/136
D499,164 S	* 11/2004	Lillard et al.	.....	D22/136

\* cited by examiner

*Primary Examiner*—Catherine R. Oliver

(74) *Attorney, Agent, or Firm*—Anthony Edw. J Campbell

(57) **CLAIM**

The ornamental design for a fishing lure and bait cage, as shown and described.

**DESCRIPTION**

FIG. 1 is a front elevational view of a fishing lure and bait cage showing my new design, the rear elevational view being a mirror image thereof;

FIG. 2 is a side view, taken from the left side of FIG. 1;

FIG. 3 is a side view, taken from the right side of FIG. 1;

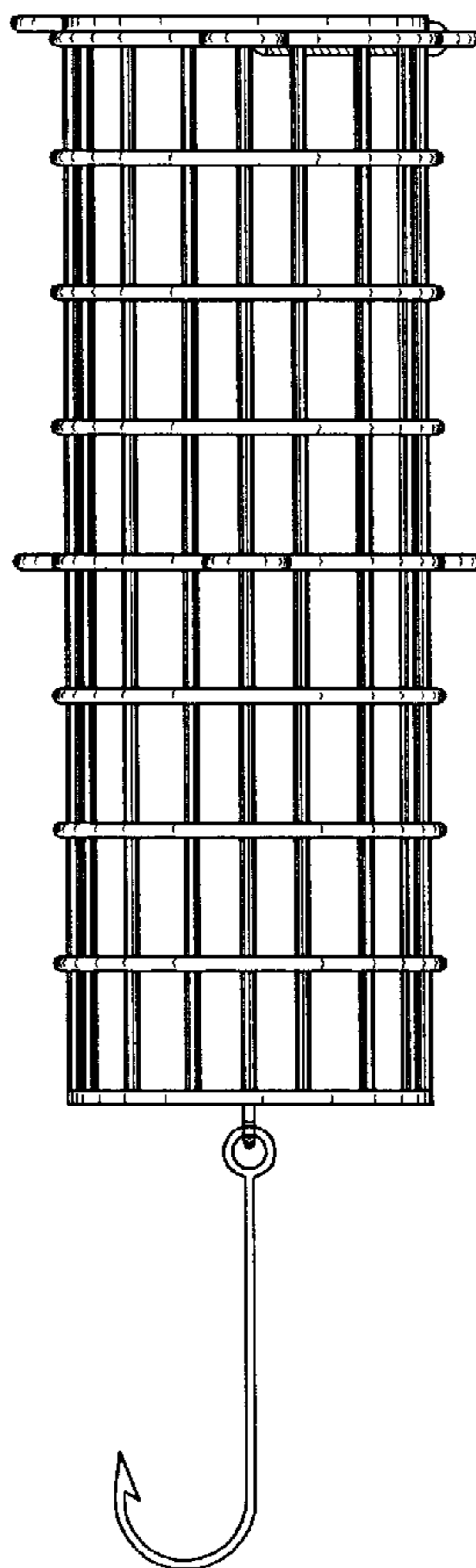
FIG. 4 is a top plan view thereof;

FIG. 5 is a bottom plan view thereof;

FIG. 6 is a perspective view thereof; and,

FIG. 7 is a front, side and top perspective view with the lid shown open.

**1 Claim, 3 Drawing Sheets**



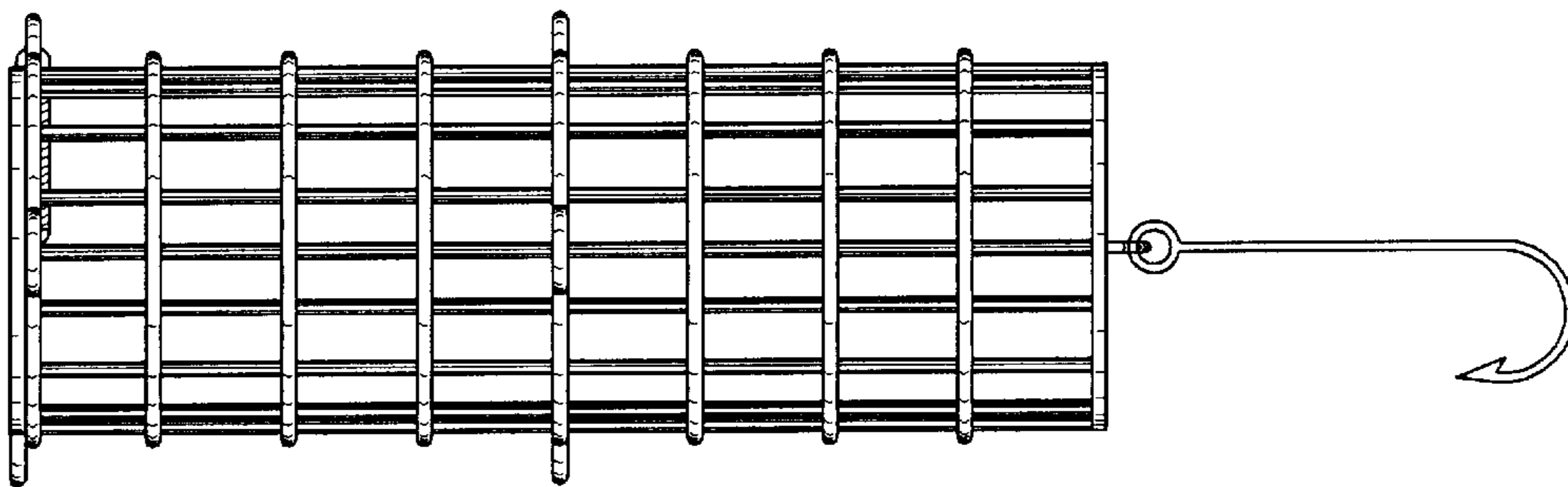


FIG. 1

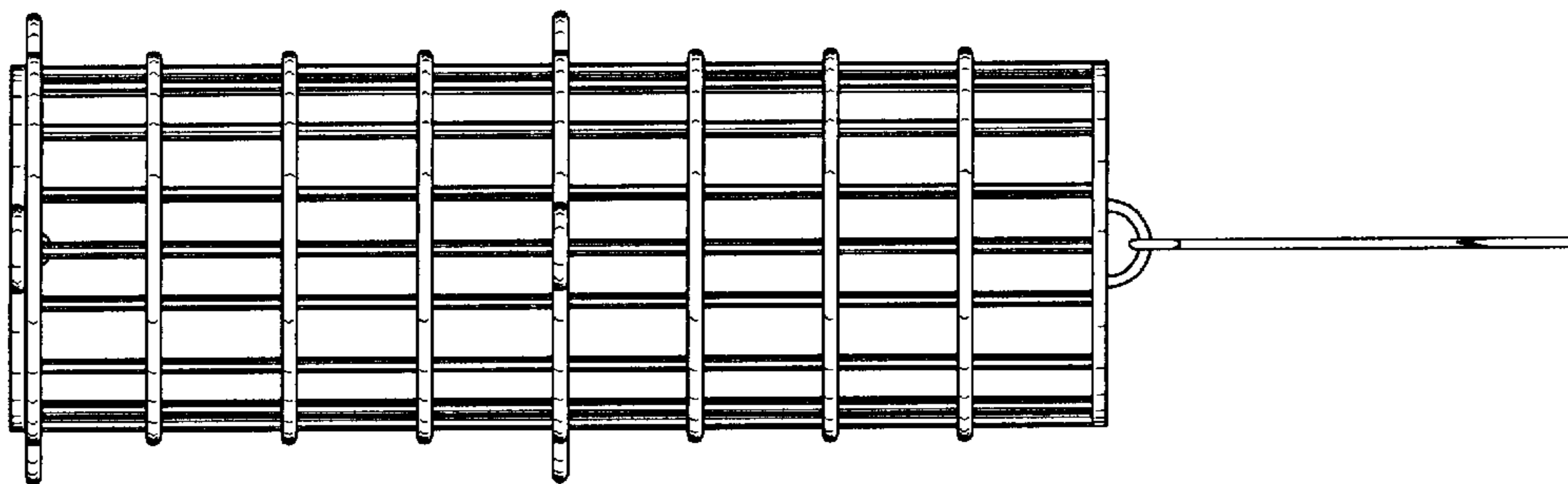


FIG. 2

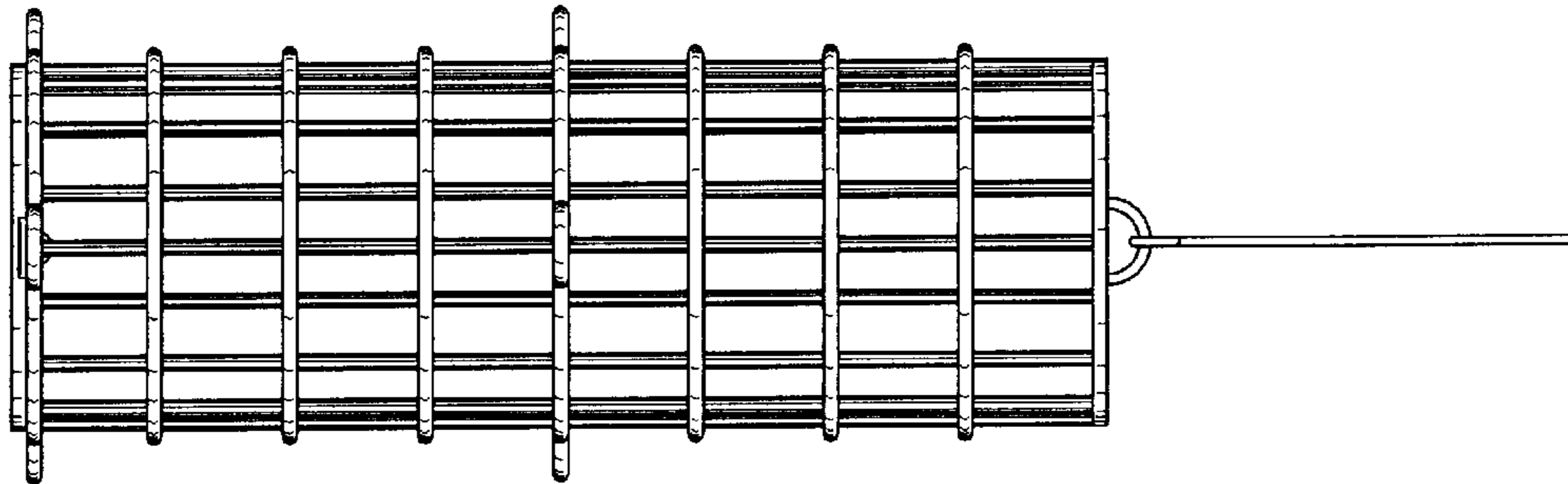


FIG. 3

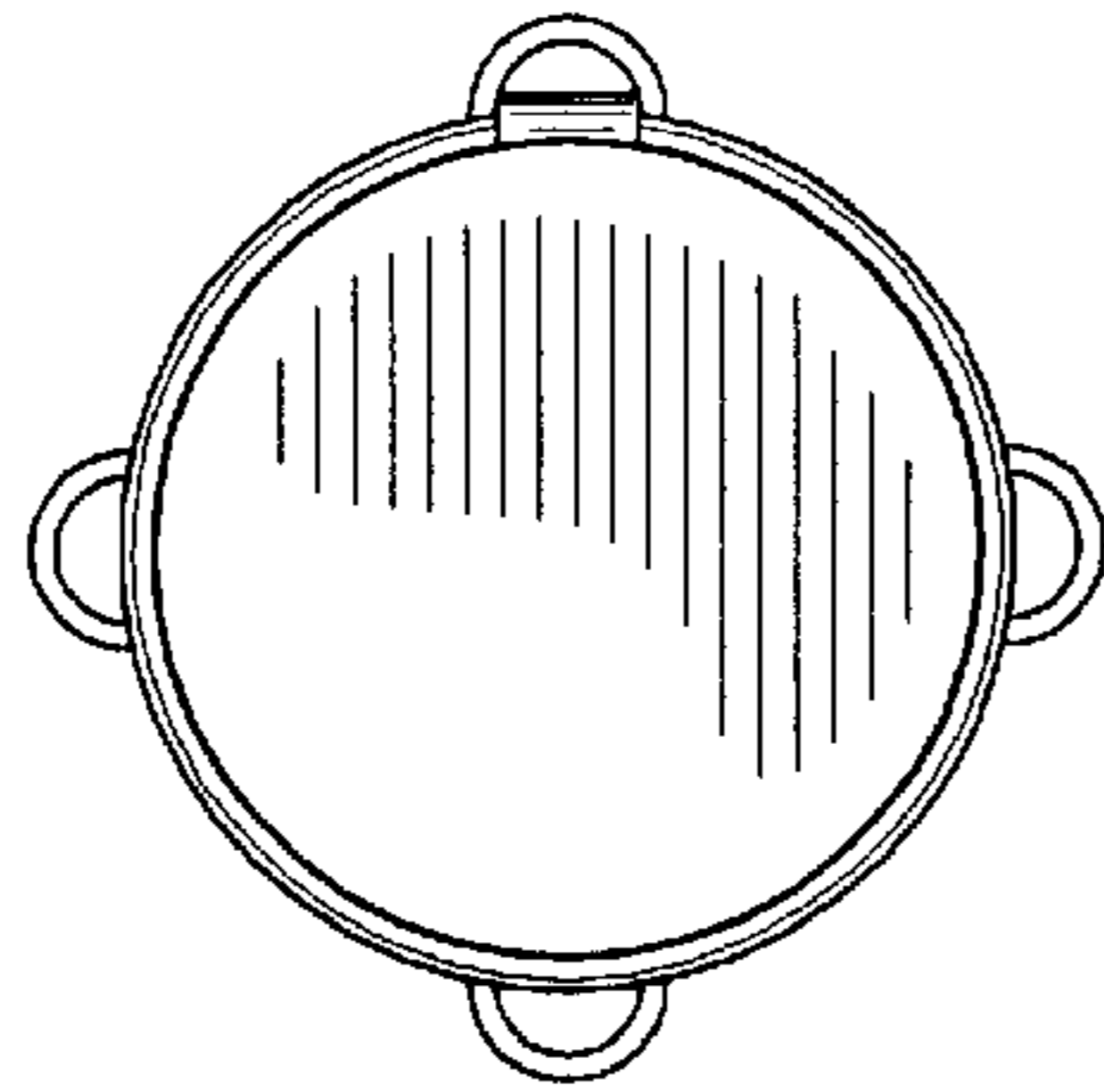


FIG. 4

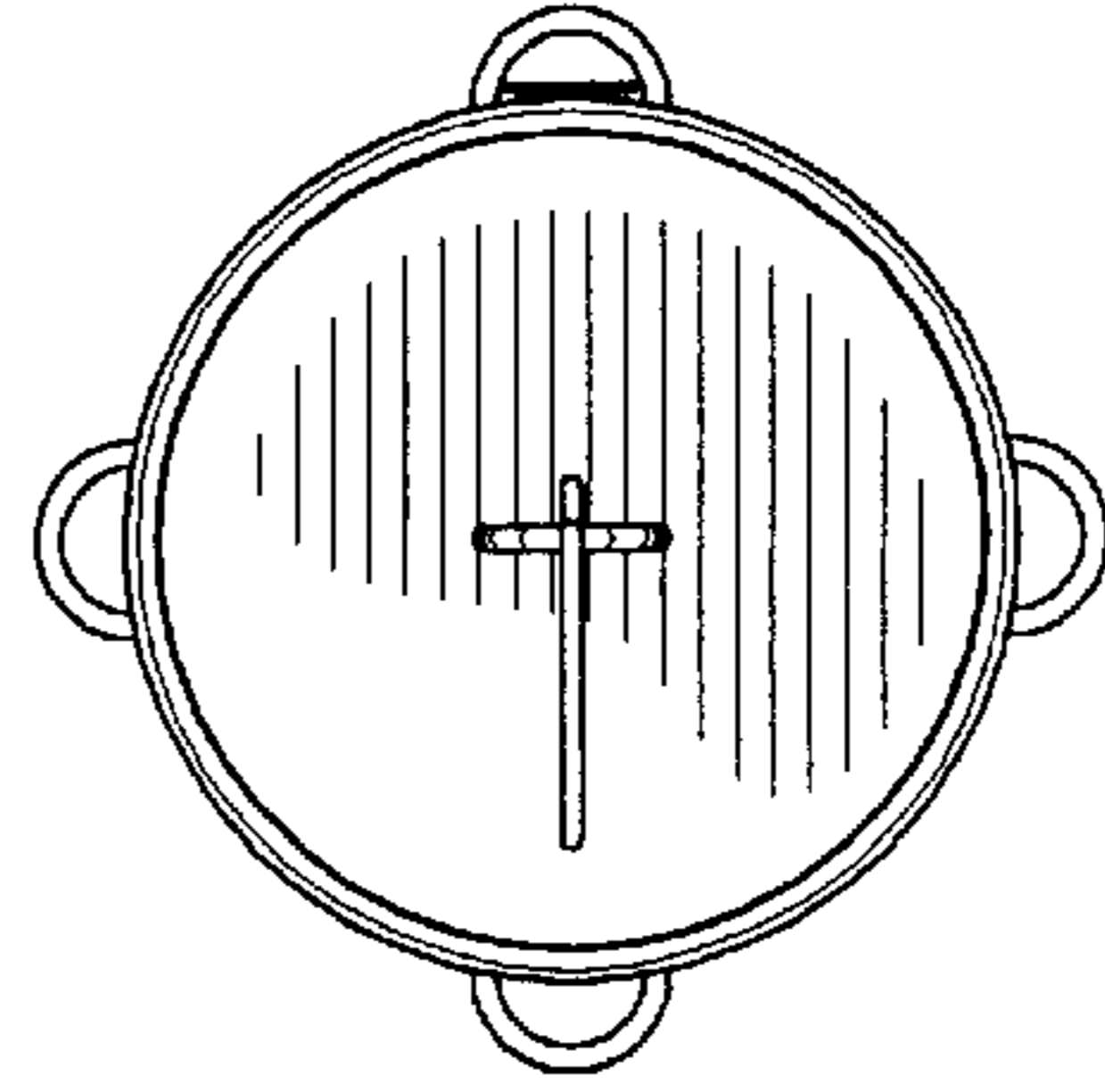


FIG. 5

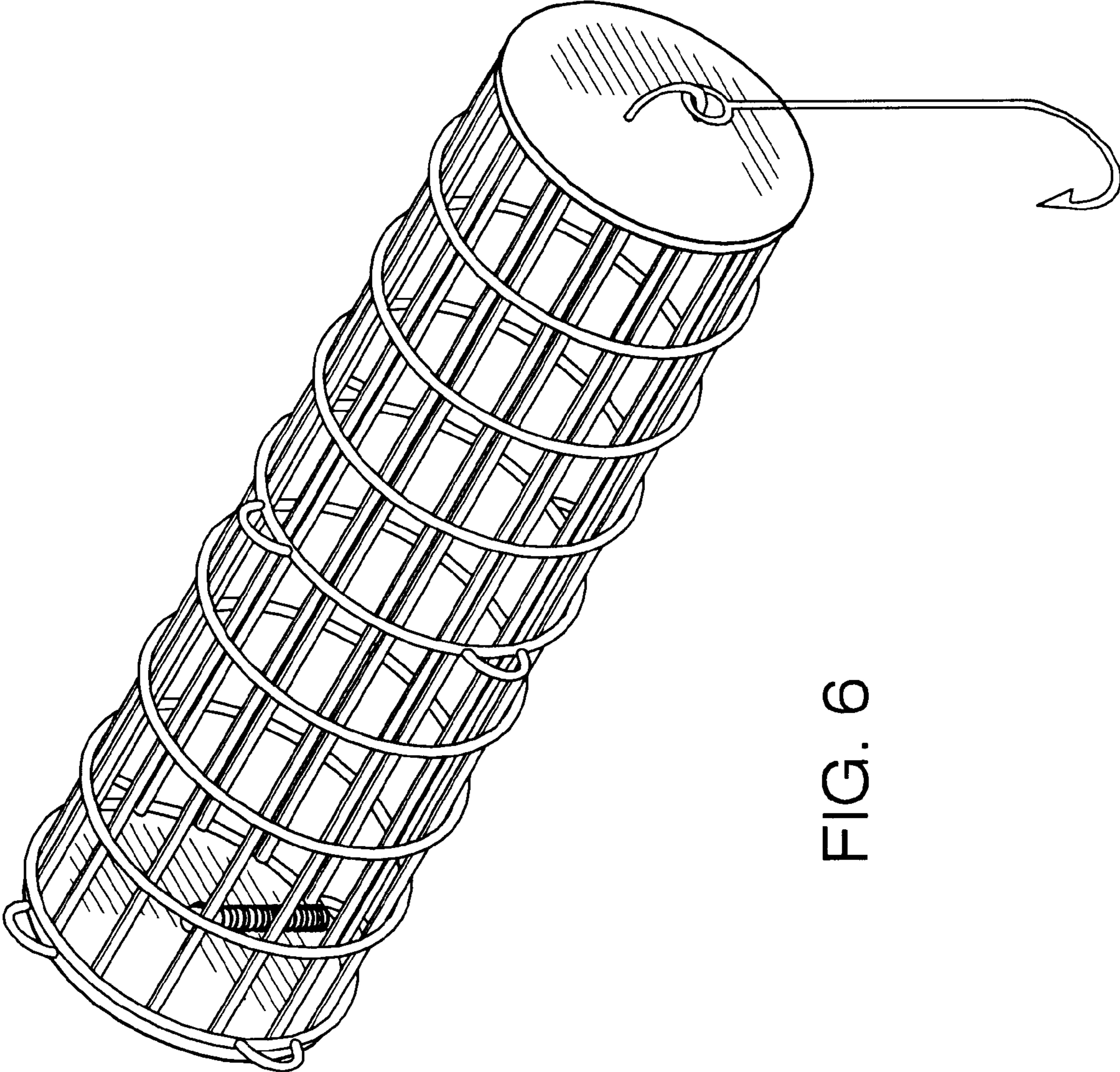


FIG. 6

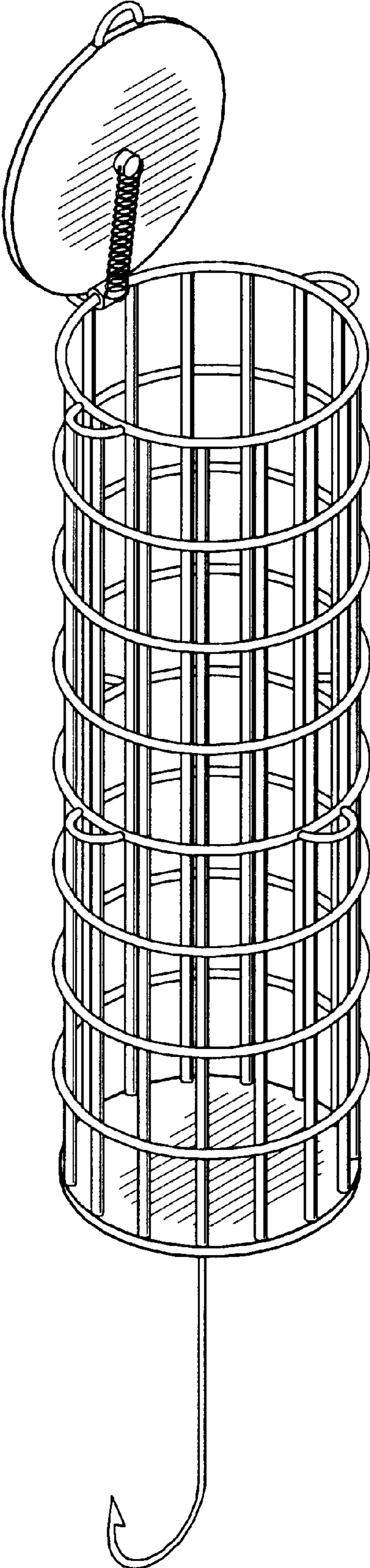


FIG. 7