



US00D514658S

(12) **United States Design Patent** (10) **Patent No.:** **US D514,658 S**
Carlton (45) **Date of Patent:** **** Feb. 7, 2006**

(54) **FLY SWATTER**

Primary Examiner—Catherine R. Oliver

(76) **Inventor:** **Douglas C. Carlton**, 1115
Heatherwoode Rd., Flint, MI (US)
48532

(57) **CLAIM**

The ornamental design for a fly swatter, as shown and described.

(**) **Term:** **14 Years**

DESCRIPTION

(21) **Appl. No.:** **29/213,924**

FIG. 1 is top plan view of a fly swatter showing a new design;

(22) **Filed:** **Sep. 23, 2004**

FIG. 2 is a first side elevational view thereof;

(51) **LOC (8) Cl.** **22-06**

(52) **U.S. Cl.** **D22/124**

(58) **Field of Classification Search** D22/119–124;
43/137; D3/1–4; D21/359

FIG. 3 is a second side elevational view as seen from the side opposite of that of FIG. 2;

See application file for complete search history.

FIG. 4 is a first end elevational view thereof as seen from the end proximate the simulated socket wrench;

(56) **References Cited**

U.S. PATENT DOCUMENTS

FIG. 5 is a second end view as seen from end opposite that of FIG. 5; and,

D271,414 S * 11/1983 Kroll D22/124

D430,260 S * 8/2000 Stroud D22/124

D479,299 S * 9/2003 Marciel D22/124

FIG. 6 is a bottom plan view thereof.

* cited by examiner

1 Claim, 2 Drawing Sheets

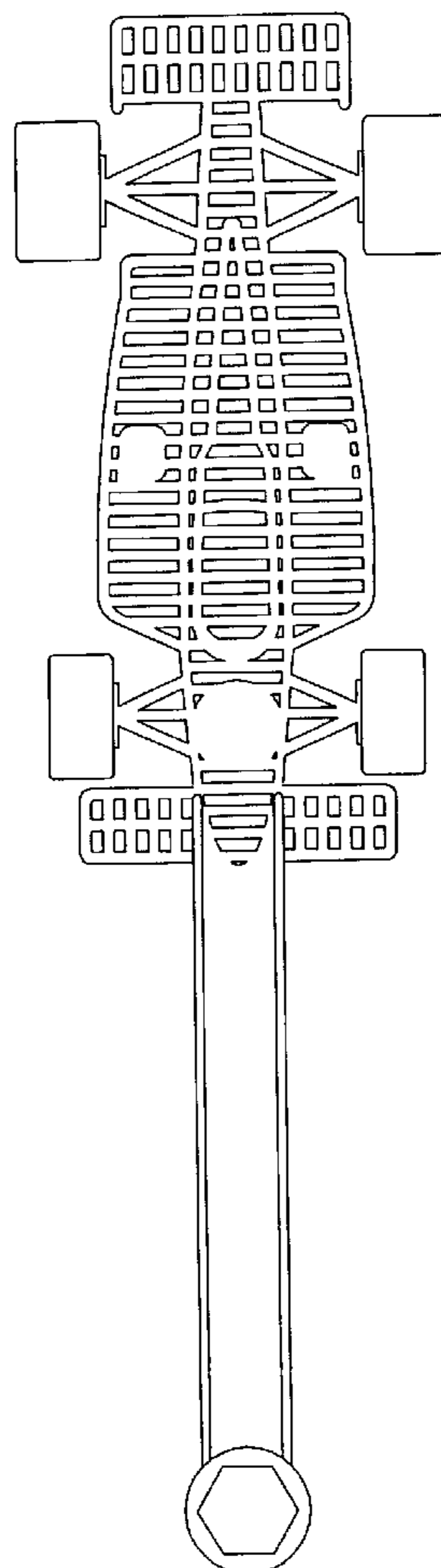


FIG. 2

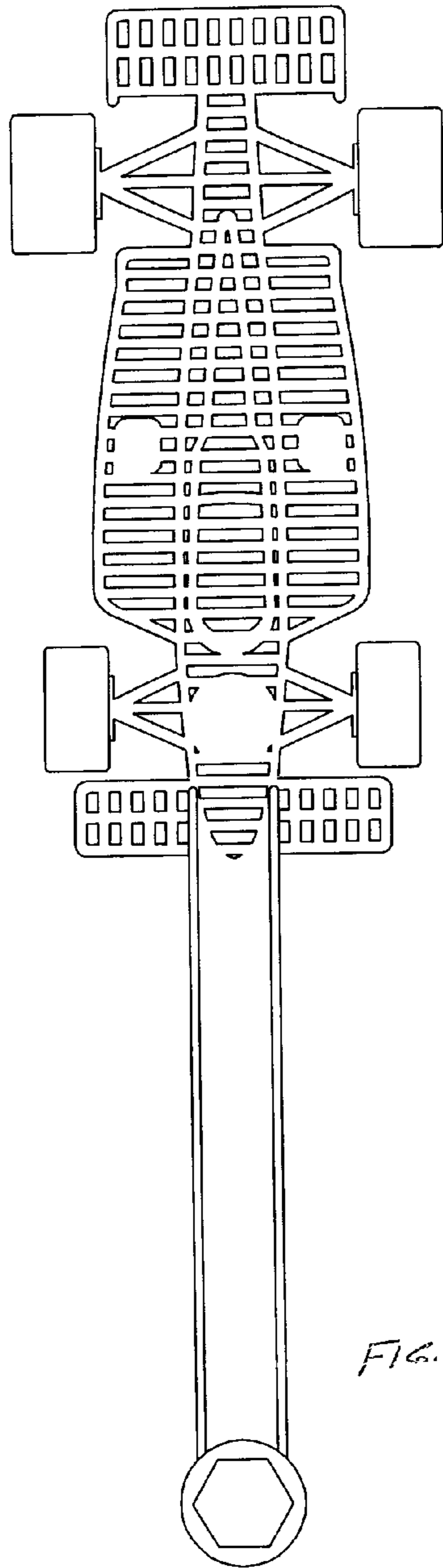
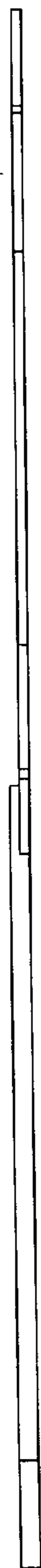


FIG. 1

FIG. 3



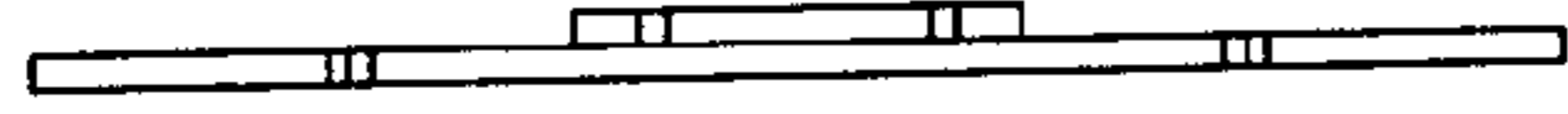


FIG. 5



FIG. 4

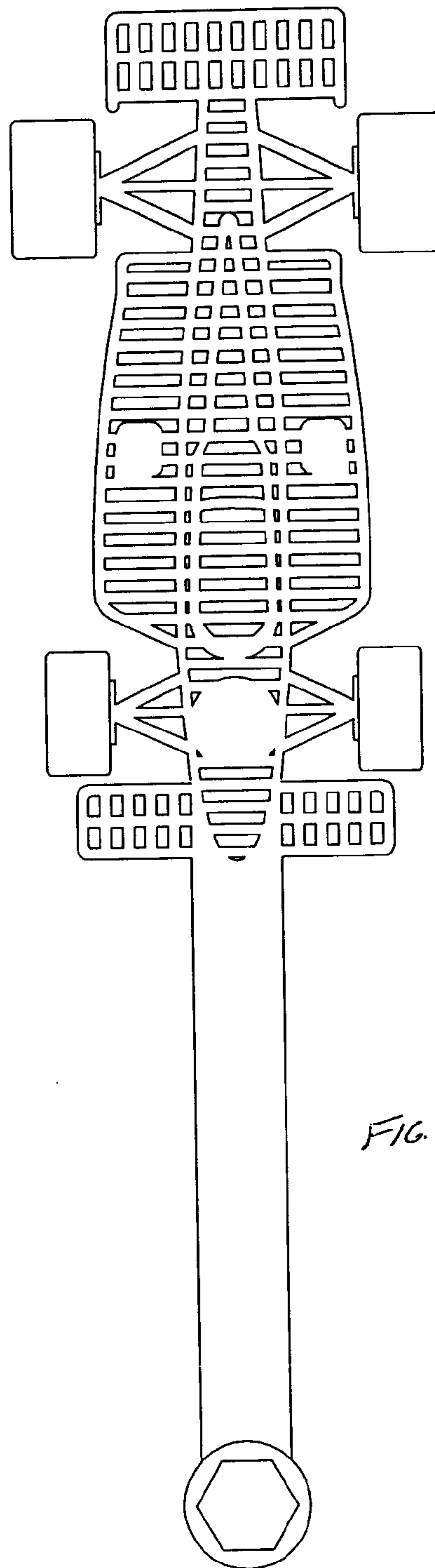


FIG. 6