



US00D514655S

(12) **United States Design Patent**
Rodgers et al.

(10) **Patent No.:** **US D514,655 S**
(45) **Date of Patent:** **** Feb. 7, 2006**

(54) **MOUSETRAP DEVICE**
(75) Inventors: **Brendyn Rodgers**, Mount Waverley (AU); **Graham Duell**, Mount Waverley (AU)

D335,325 S * 5/1993 Morford D22/119
D385,611 S * 10/1997 Prince et al. D22/119
D386,554 S * 11/1997 Brewer D22/119
D459,428 S * 6/2002 Johnson et al. D22/119
D495,773 S * 9/2004 Duston et al. D22/122

(73) Assignee: **Reckitt Benckiser (UK) Limited**, Slough Berkshire (GB)

* cited by examiner

(**) Term: **14 Years**

Primary Examiner—Catherine R. Oliver
(74) *Attorney, Agent, or Firm*—Norris, McLaughlin & Marcus P.A.

(21) Appl. No.: **29/212,332**

(57) **CLAIM**

(22) Filed: **Aug. 31, 2004**

The ornamental design for a mousetrap device, as shown and described.

(30) **Foreign Application Priority Data**

DESCRIPTION

Mar. 8, 2004 (EM) 144134

(51) **LOC (8) Cl.** **22-06**

(52) **U.S. Cl.** **D22/119**

(58) **Field of Classification Search** D22/119, D22/122; 43/107, 114, 121, 131, 124, 132.1
See application file for complete search history.

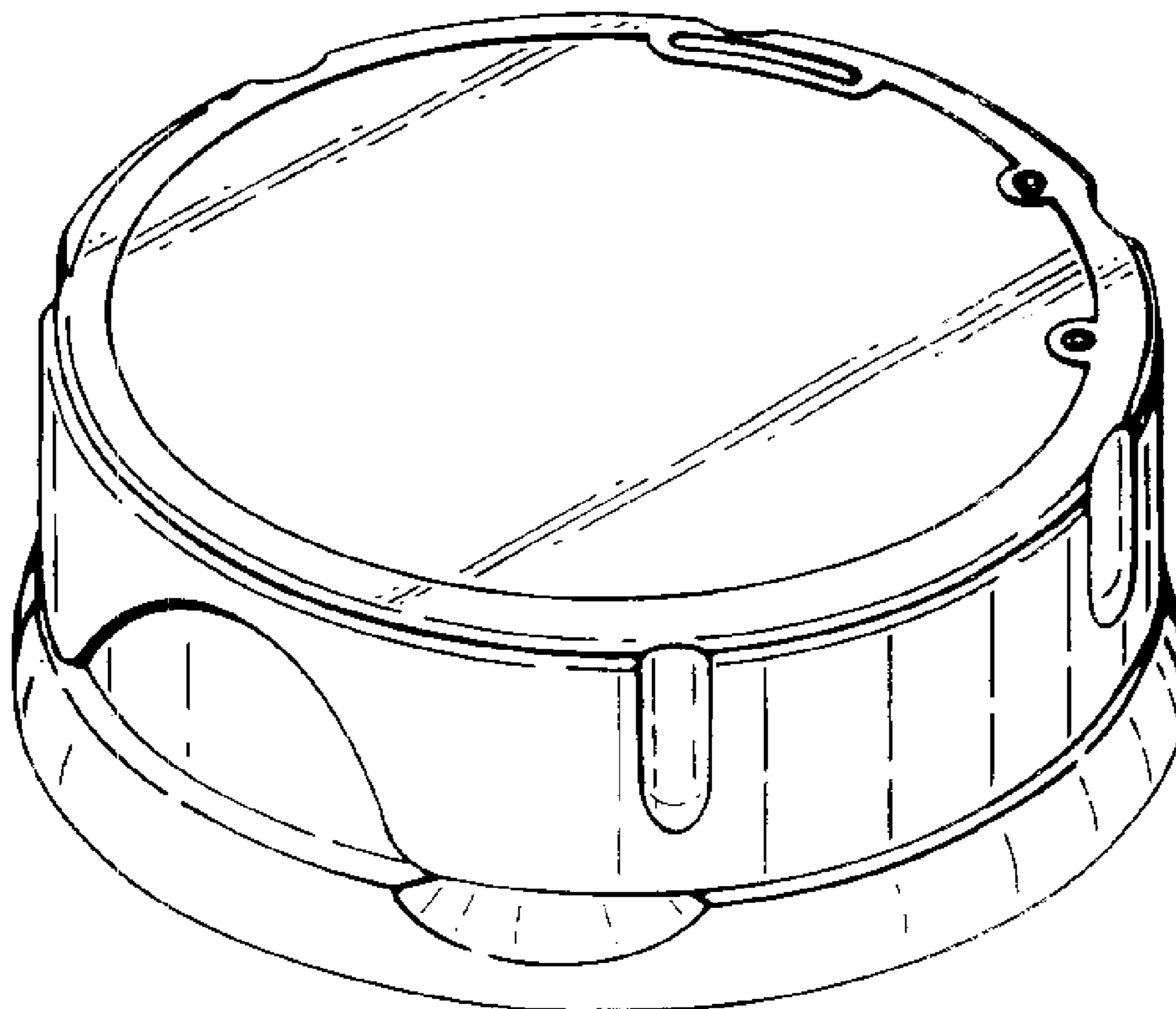
FIG. 1 is a top perspective view of the mousetrap device showing our new design;
FIG. 2 is a front elevation view thereof;
FIG. 3 is a rear elevation view thereof;
FIG. 4 is a side elevation view thereof;
FIG. 5 is a top plan view thereof; and,
FIG. 6 is a bottom plan view thereof.

(56) **References Cited**

U.S. PATENT DOCUMENTS

D335,324 S * 5/1993 Burriss et al. D22/119

1 Claim, 2 Drawing Sheets



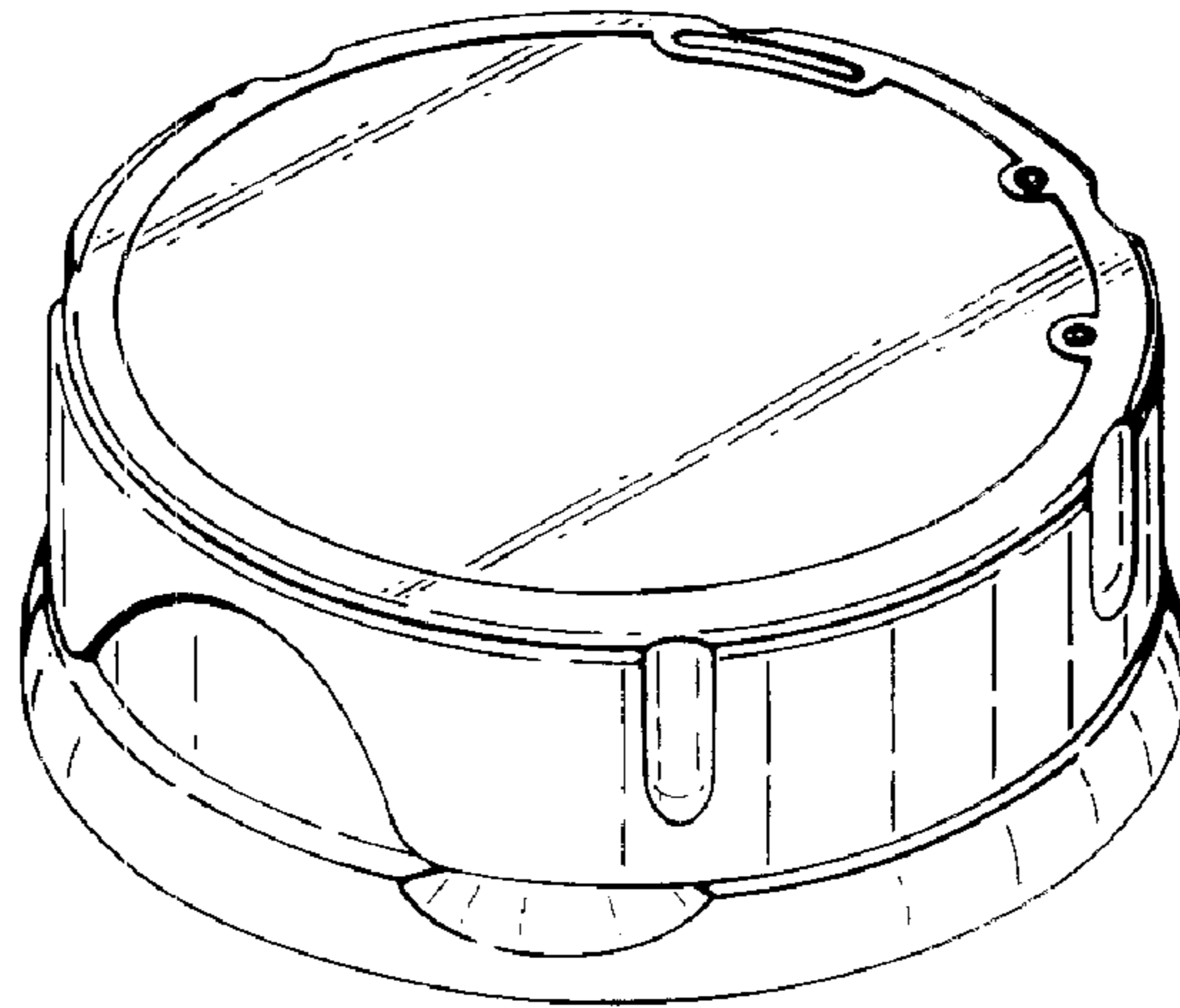


Fig.1.

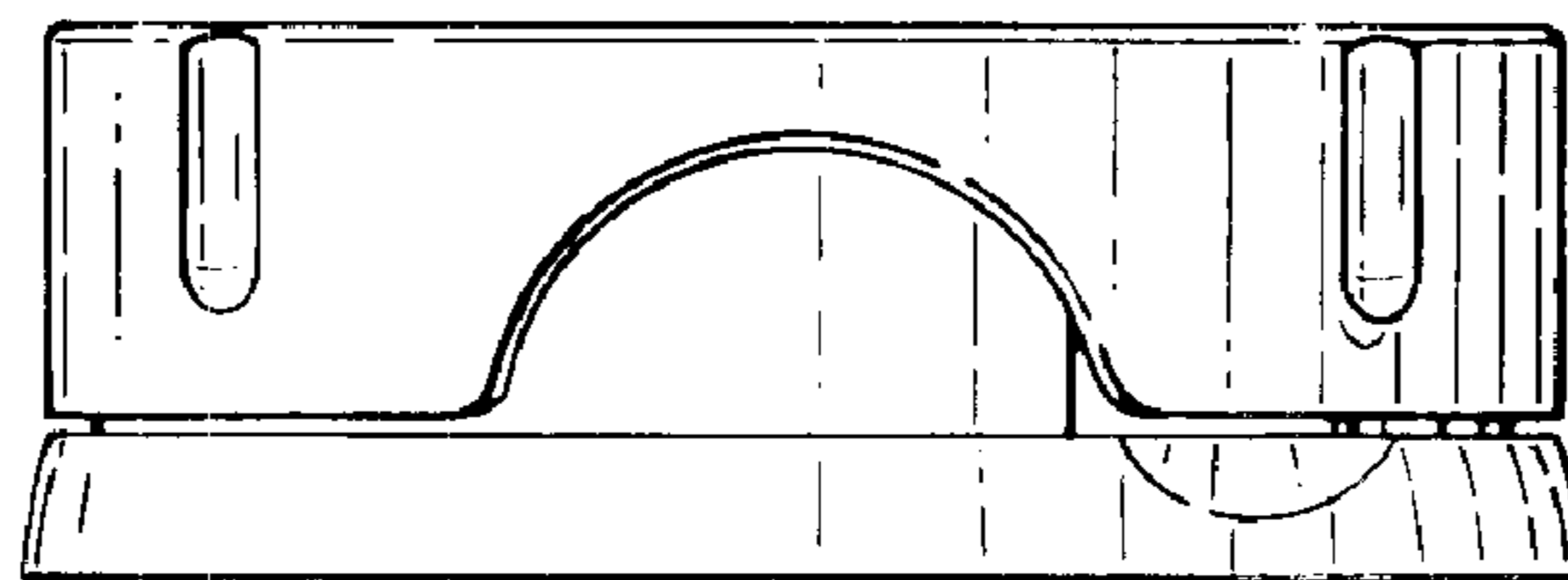


Fig.2.

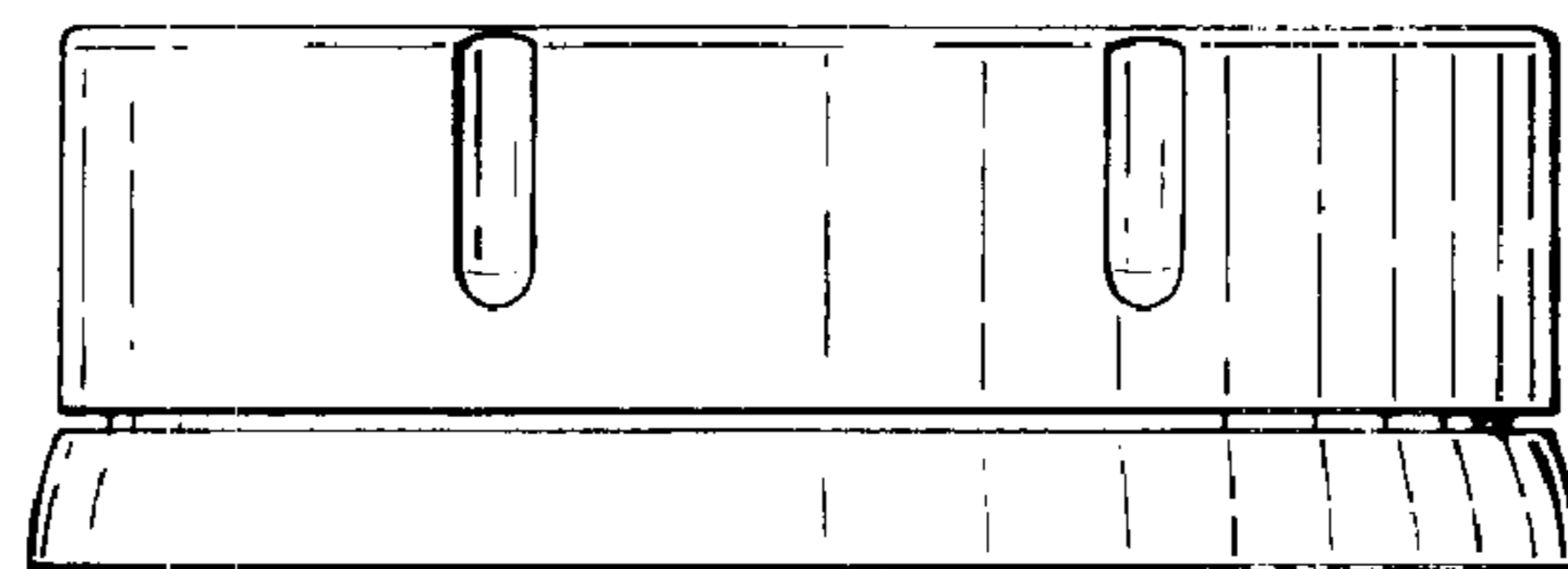


Fig.3.

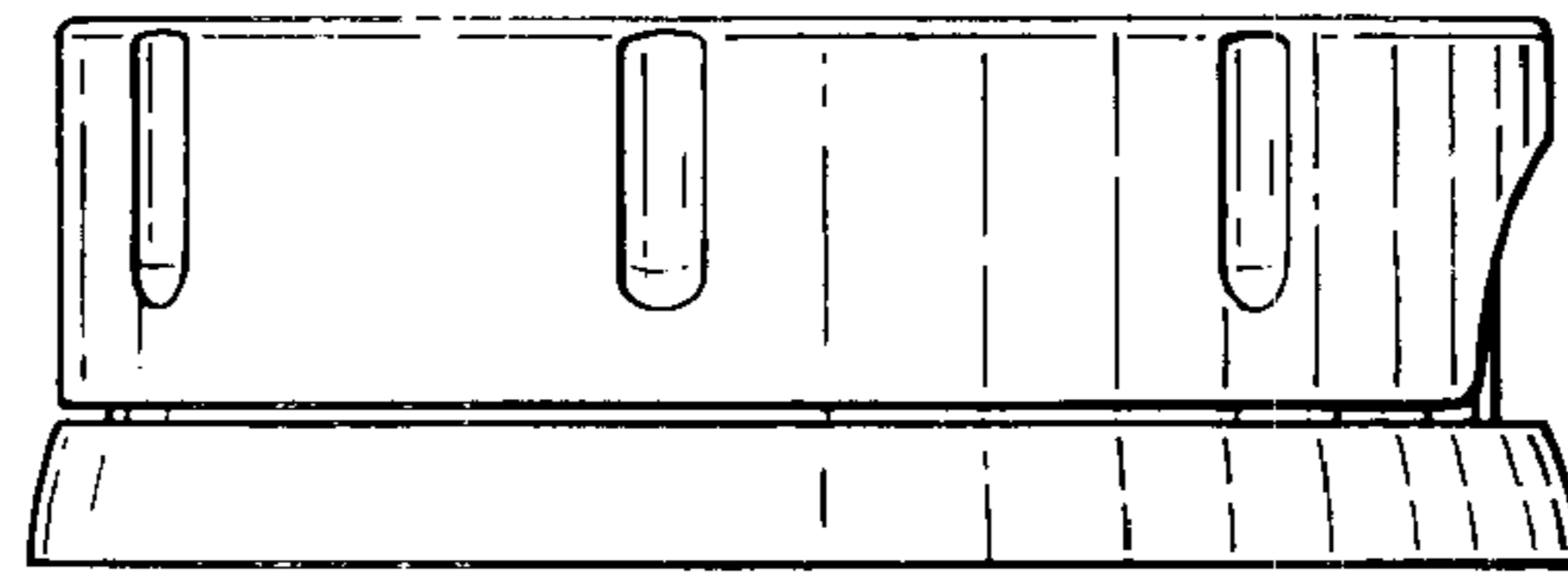


Fig.4.

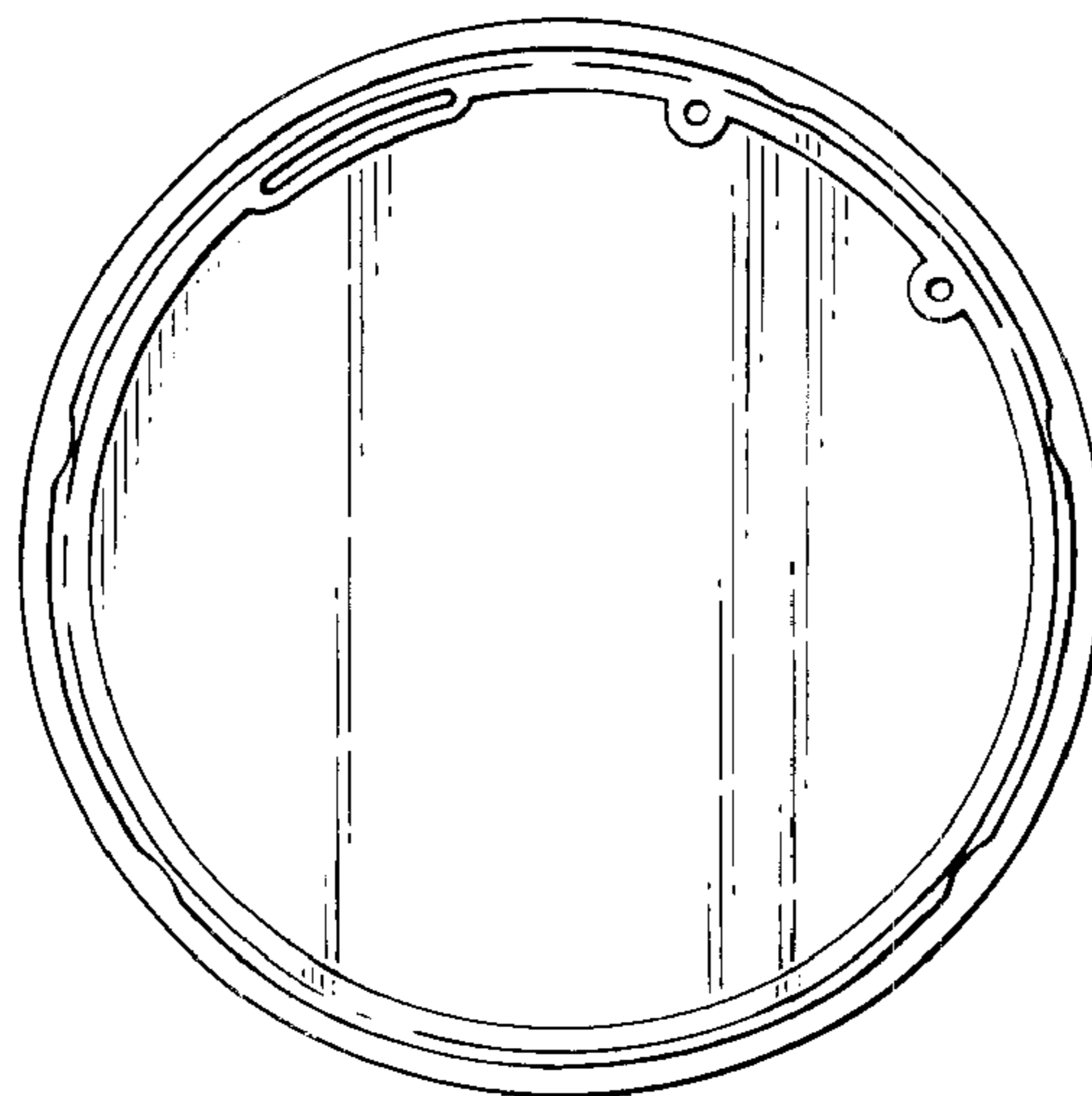


Fig.5.

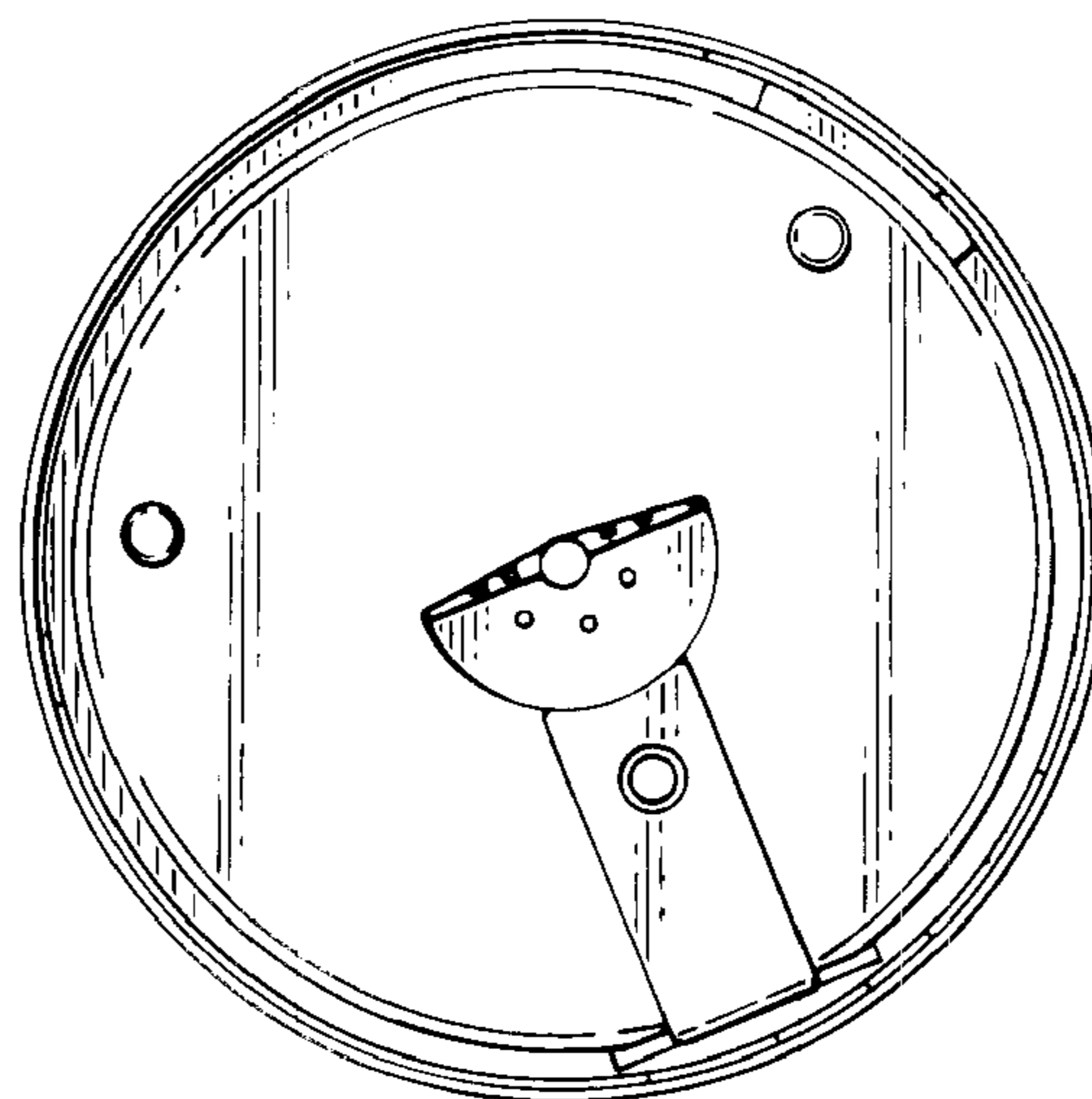


Fig.6.