



US00D514653S

(12) **United States Design Patent**
Auberger

(10) **Patent No.:** **US D514,653 S**

(45) **Date of Patent:** **** Feb. 7, 2006**

(54) **STAIRS**

(75) **Inventor:** **M. Benoît Auberger**, La Fôret sur Sèvre (FR)

(73) **Assignee:** **Wesco Company S.A.**, Cerizay (FR)

(**) **Term:** **14 Years**

(21) **Appl. No.:** **29/208,429**

(22) **Filed:** **Jun. 29, 2004**

(30) **Foreign Application Priority Data**

Dec. 29, 2003 (EM) 000184825-0015

(51) **LOC (8) Cl.** **21-03**

(52) **U.S. Cl.** **D21/826**

(58) **Field of Classification Search** D21/811,
D21/814, 818-827, 499, 501; 482/35, 36;
182/33.2, 35; 297/2, 271.5

See application file for complete search history.

(56) **References Cited**

U.S. PATENT DOCUMENTS

2,622,658 A * 12/1952 Morgan 182/33.2

D355,693 S * 2/1995 Aker et al. D21/818
D358,442 S * 5/1995 Houry et al. D21/826
D361,614 S * 8/1995 Aker et al. D21/821
D418,188 S * 12/1999 McLane et al. D21/814
D495,769 S * 9/2004 Auberger D21/814

* cited by examiner

Primary Examiner—Mitchell Siegel

(74) *Attorney, Agent, or Firm*—Horst M. Kasper

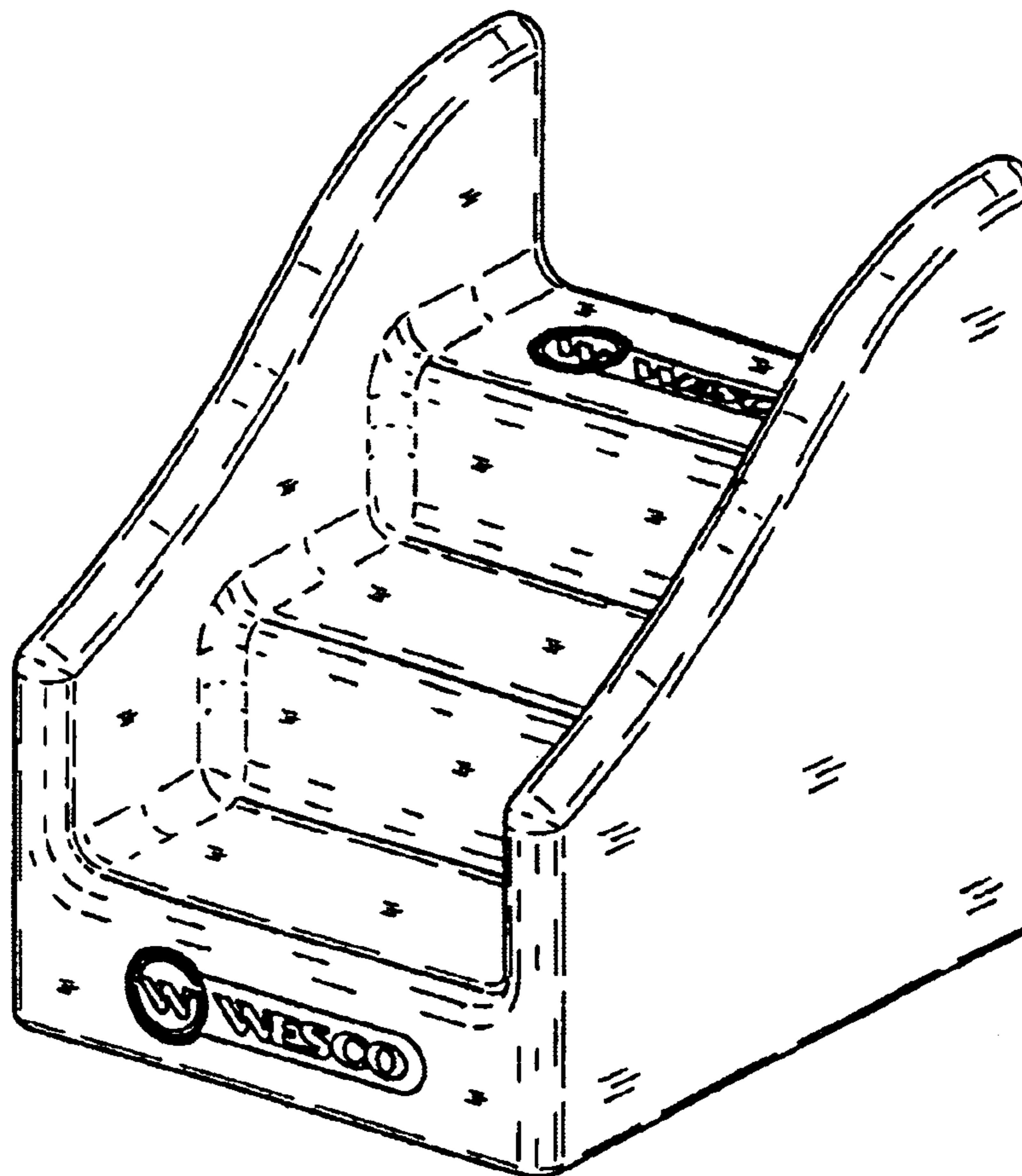
(57) **CLAIM**

The ornamental design for stairs, as shown and described.

DESCRIPTION

FIG. 1 is a front elevational view of stairs
FIG. 2 is a top plan view thereof;
FIG. 3 is a rear side elevational view thereof;
FIG. 4 is a bottom plan view thereof;
FIG. 5 is a left side elevational view thereof;
FIG. 6 is a right side elevational view thereof;
FIG. 7 is a side view thereof;
FIG. 8 is a front and side perspective view thereof; and,
FIG. 9 is a rear and side perspective view of stairs.

1 Claim, 4 Drawing Sheets



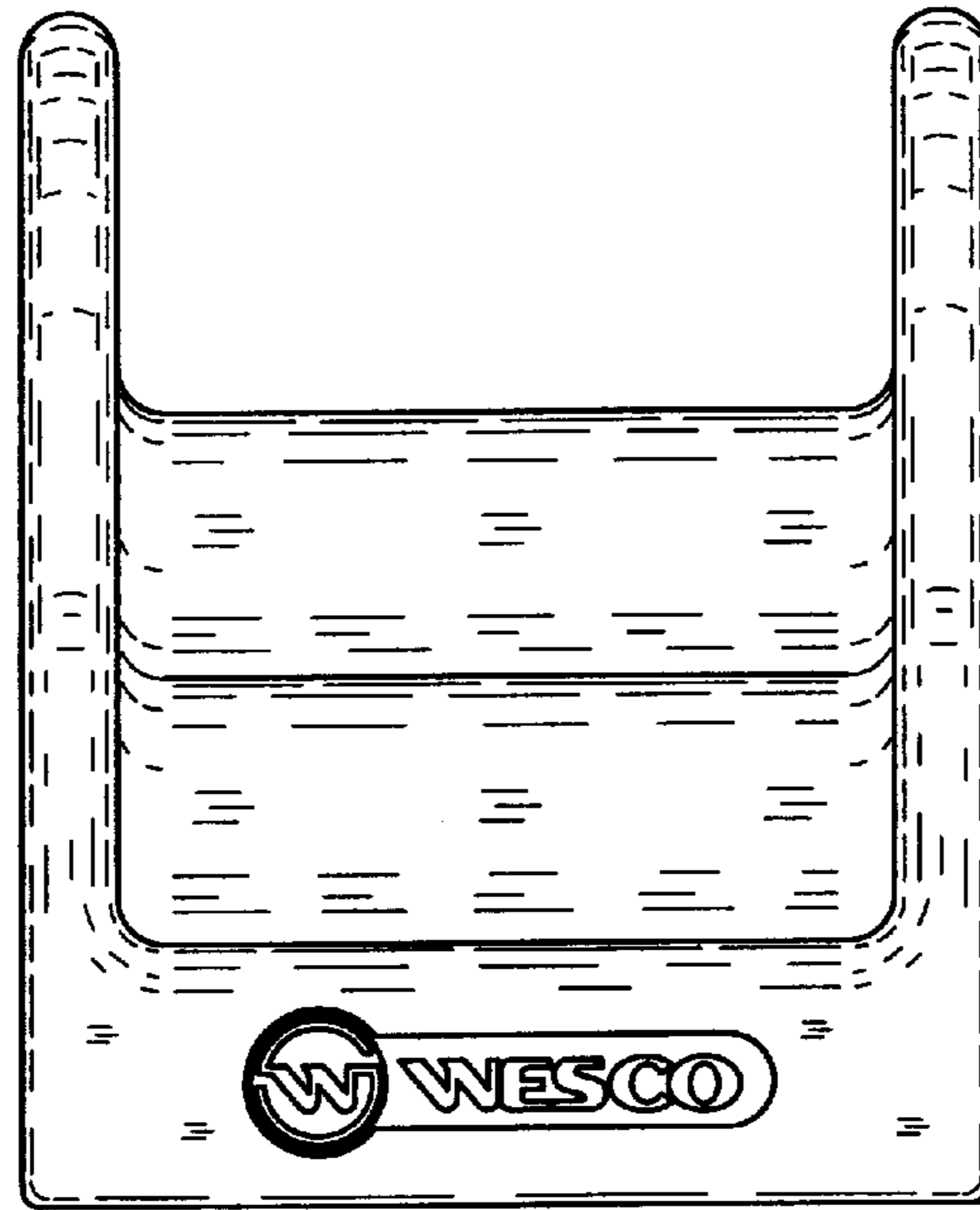


Fig. 1

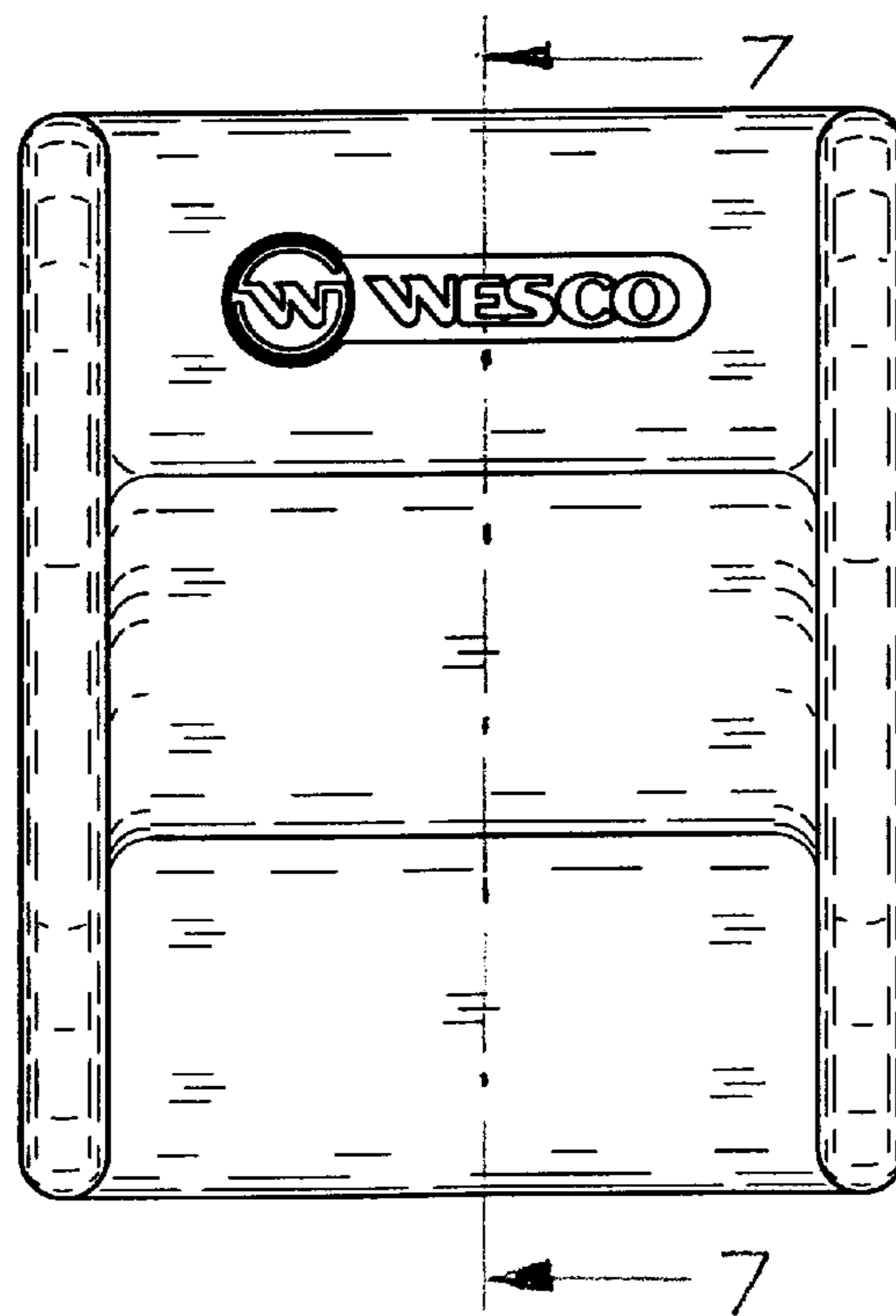


Fig. 2

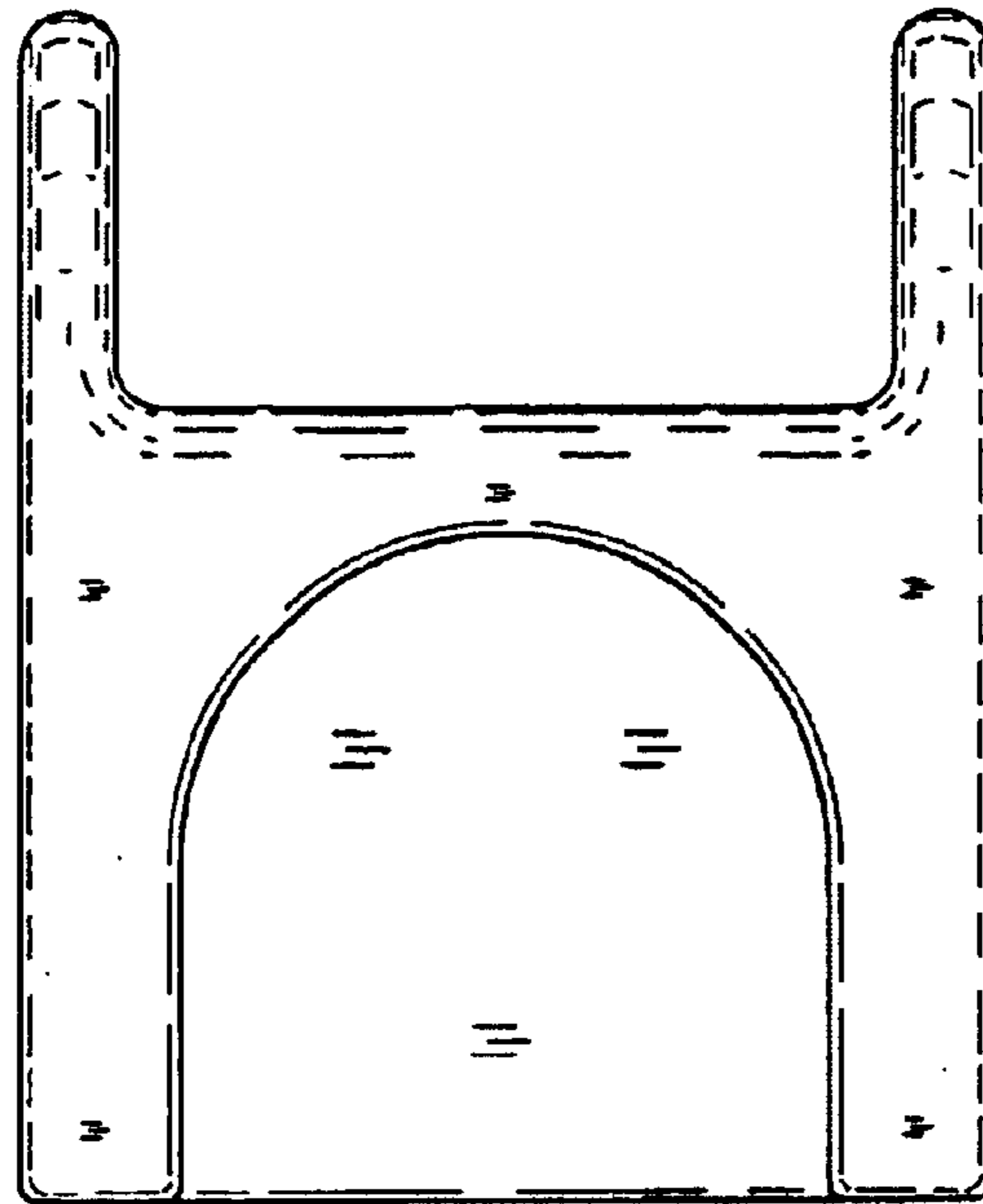


Fig. 3

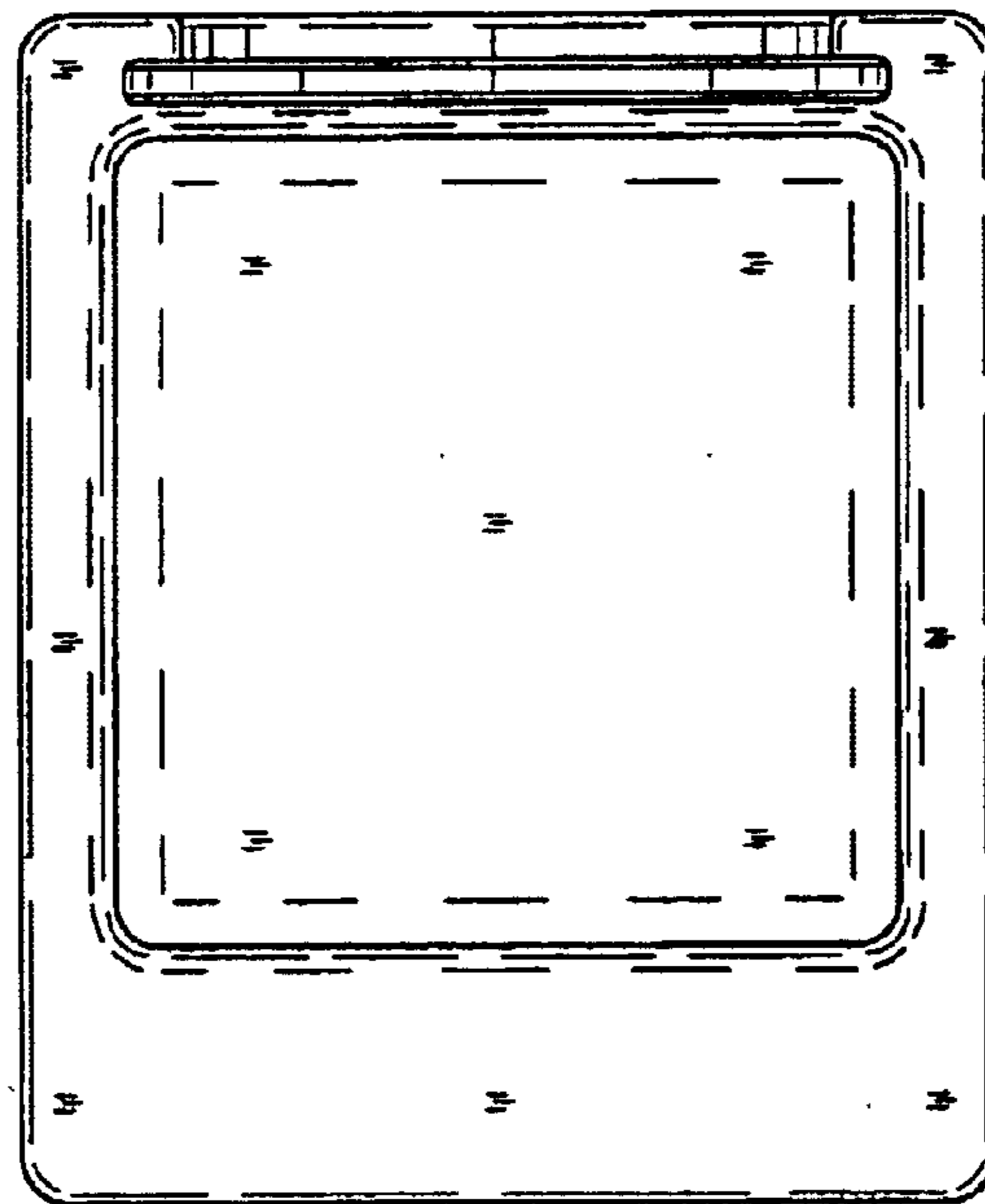


Fig. 4

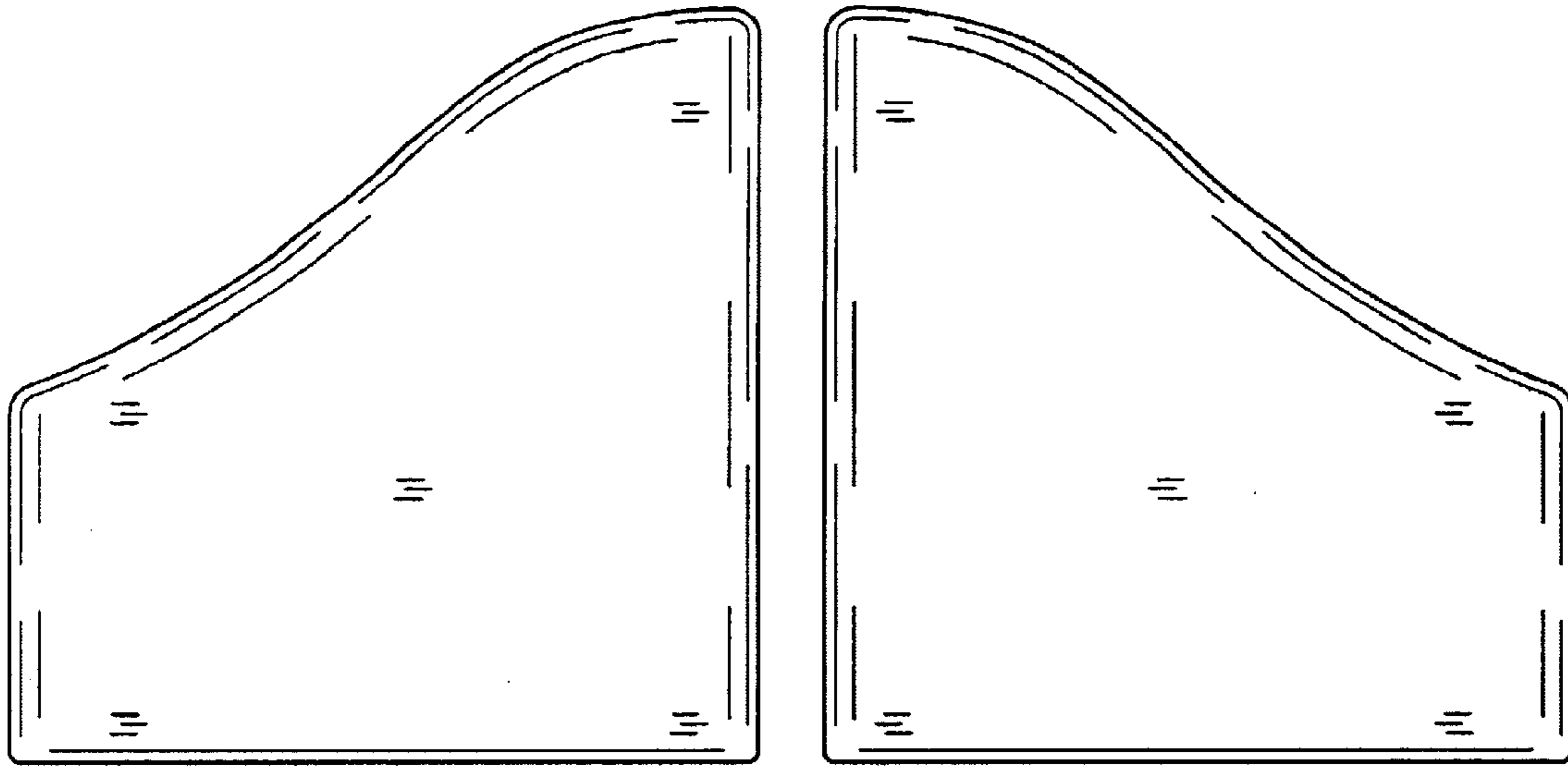


Fig. 5

Fig. 6

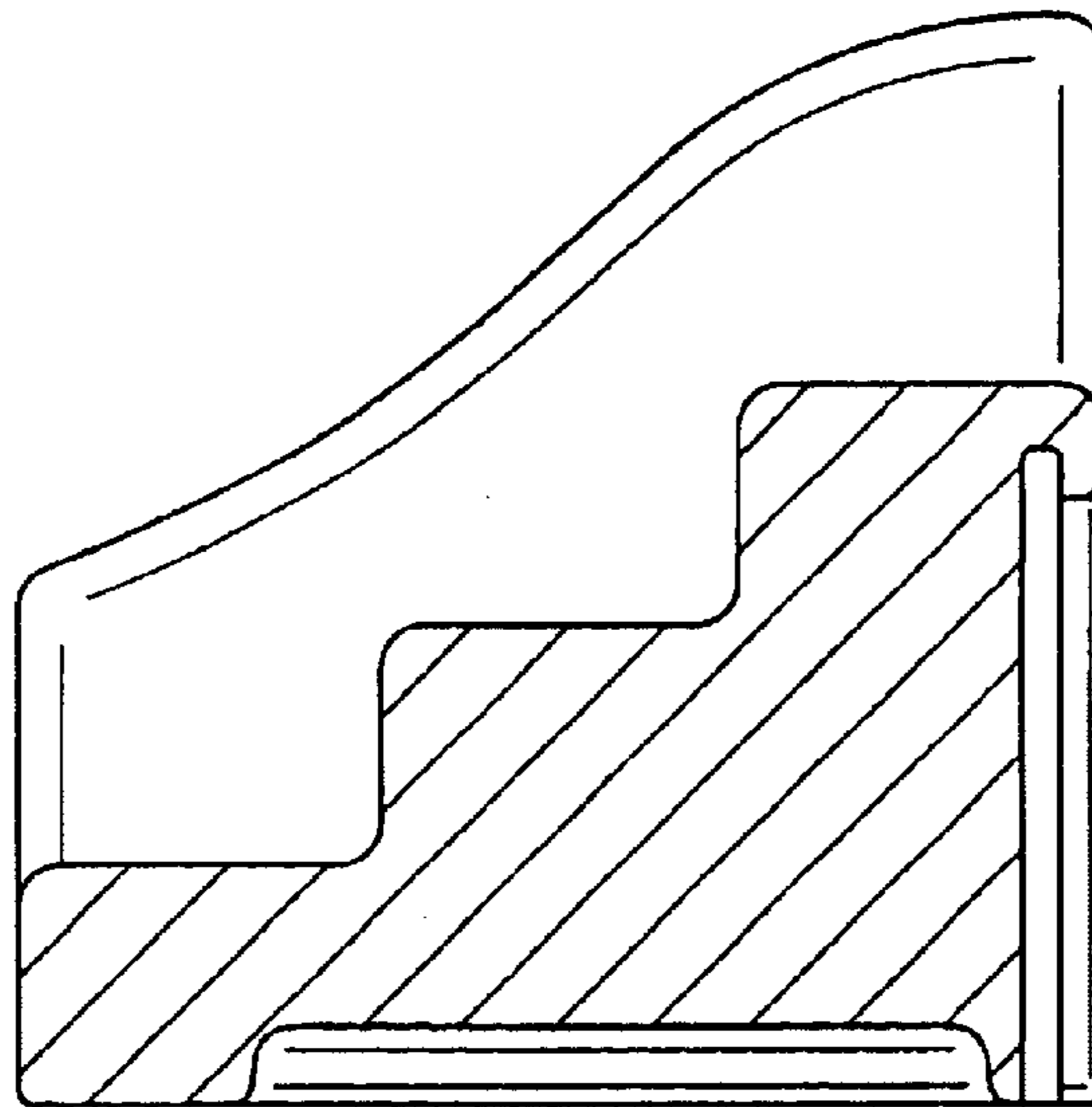


Fig. 7

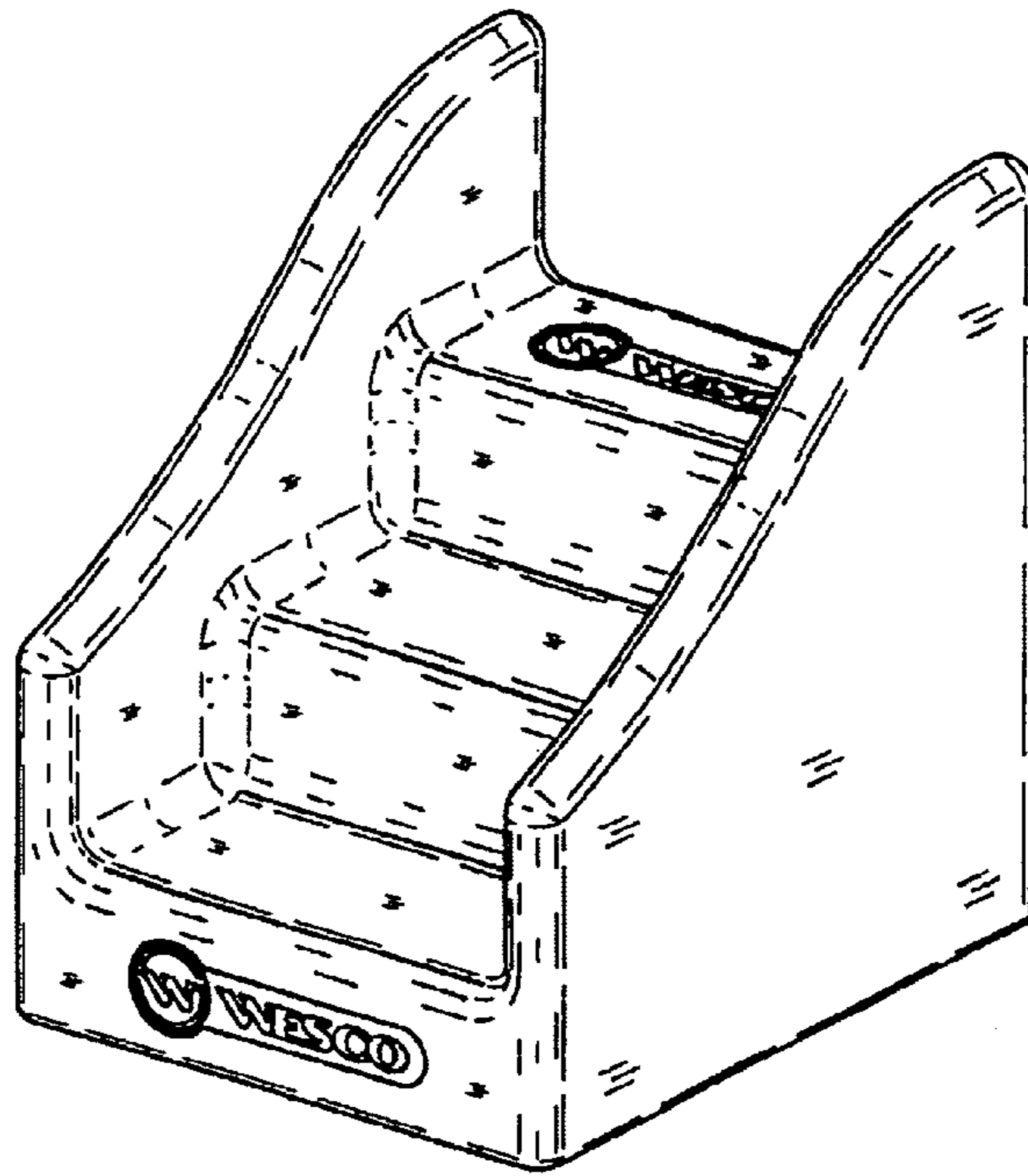


Fig. 8

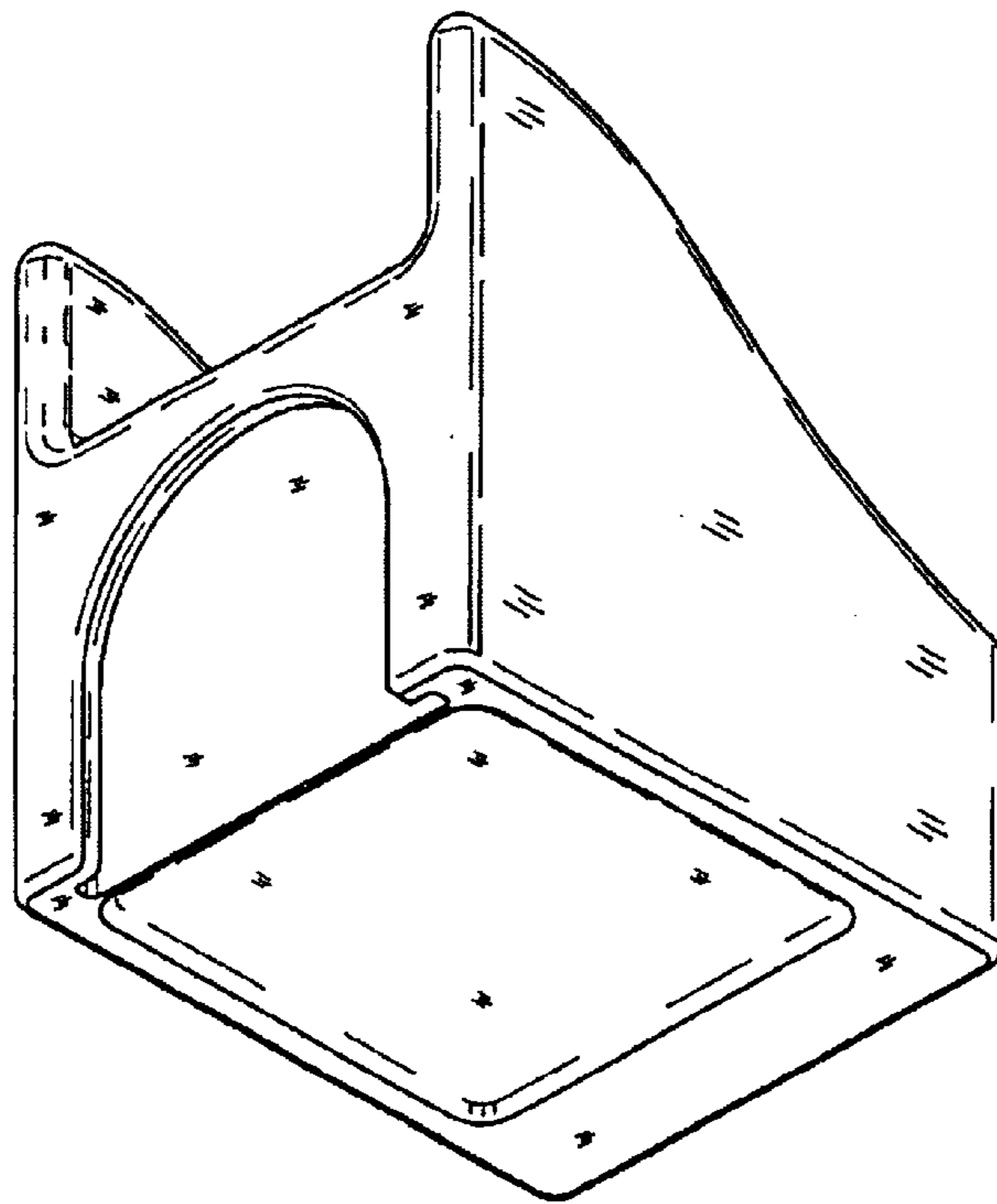


Fig. 9