



US00D514652S

(12) **United States Design Patent**
Auberger

(10) **Patent No.:** **US D514,652 S**

(45) **Date of Patent:** **** Feb. 7, 2006**

(54) **SLIDE**

D340,965 S * 11/1993 Lee D21/818
D440,621 S * 4/2001 Coleman D21/811

(75) **Inventor:** **M. Benoît Auberger**, La Fôret sur
Sèvre (FR)

* cited by examiner

(73) **Assignee:** **Wesco Company S.A.**, Cerizay (FR)

Primary Examiner—Mitchell Siegel

(**) **Term:** **14 Years**

(74) *Attorney, Agent, or Firm*—Horst M. Kasper

(21) **Appl. No.:** **29/208,440**

(57) **CLAIM**

(22) **Filed:** **Jun. 29, 2004**

The ornamental design for slide, as shown and described.

(30) **Foreign Application Priority Data**

DESCRIPTION

Dec. 29, 2003 (EM) 000184825-0016

(51) **LOC (8) Cl.** **21-03**

(52) **U.S. Cl.** **D21/818**

(58) **Field of Classification Search** D21/811,
D21/814, 818-827, 499, 501; 482/35, 36;
472/116-117

FIG. 1 is a front elevational view of slide
FIG. 2 is a top plan view thereof;
FIG. 3 is a rear side elevational view thereof;
FIG. 4 is a bottom plan view thereof;
FIG. 5 is a left side elevational view thereof;
FIG. 6 is a right side elevational view thereof;
FIG. 7 is a side view thereof;
FIG. 8 is a front and side perspective view thereof; and,
FIG. 9 is a rear and side perspective view of slide.

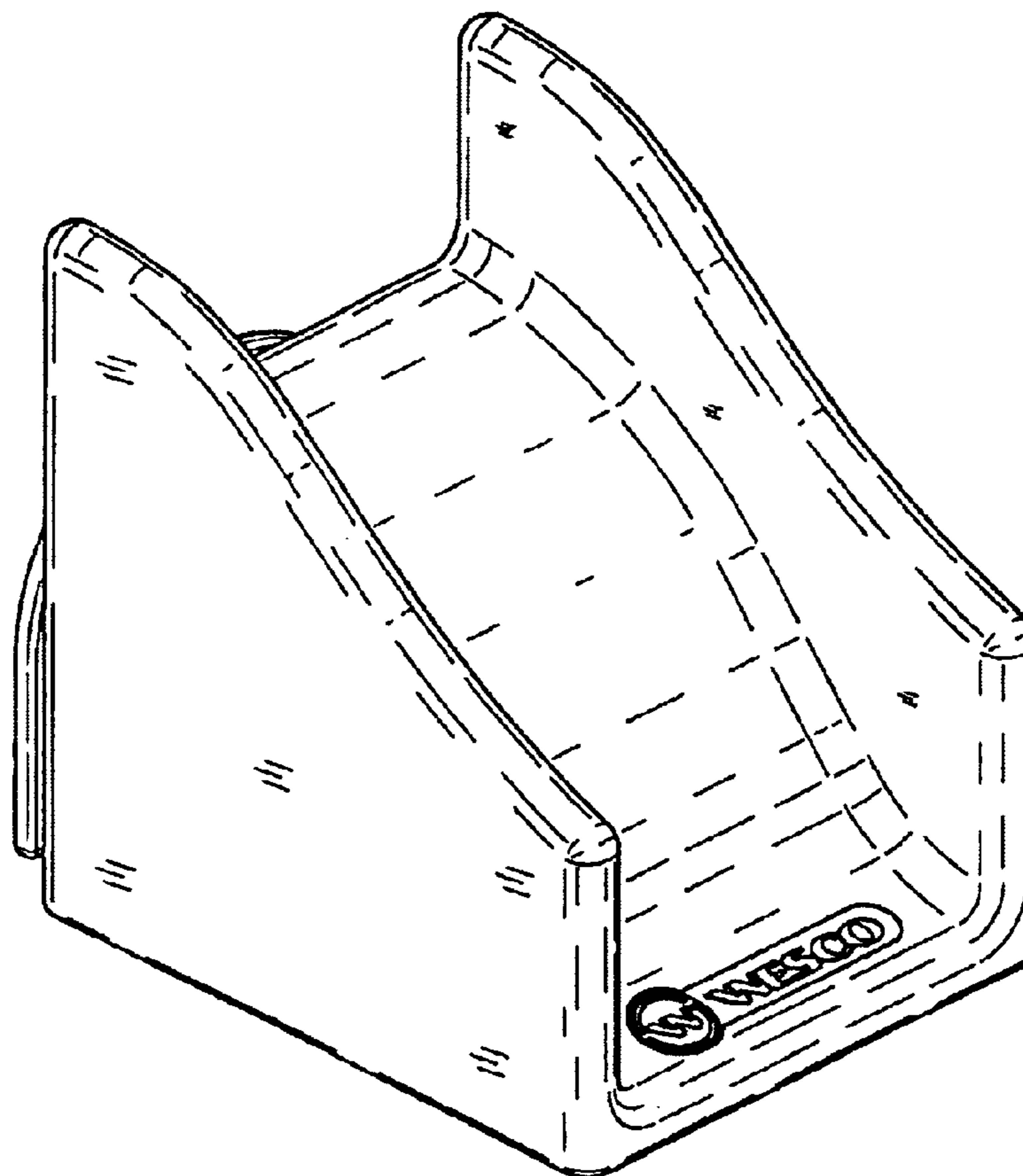
See application file for complete search history.

(56) **References Cited**

U.S. PATENT DOCUMENTS

D340,099 S * 10/1993 Warren et al. D21/818

1 Claim, 5 Drawing Sheets



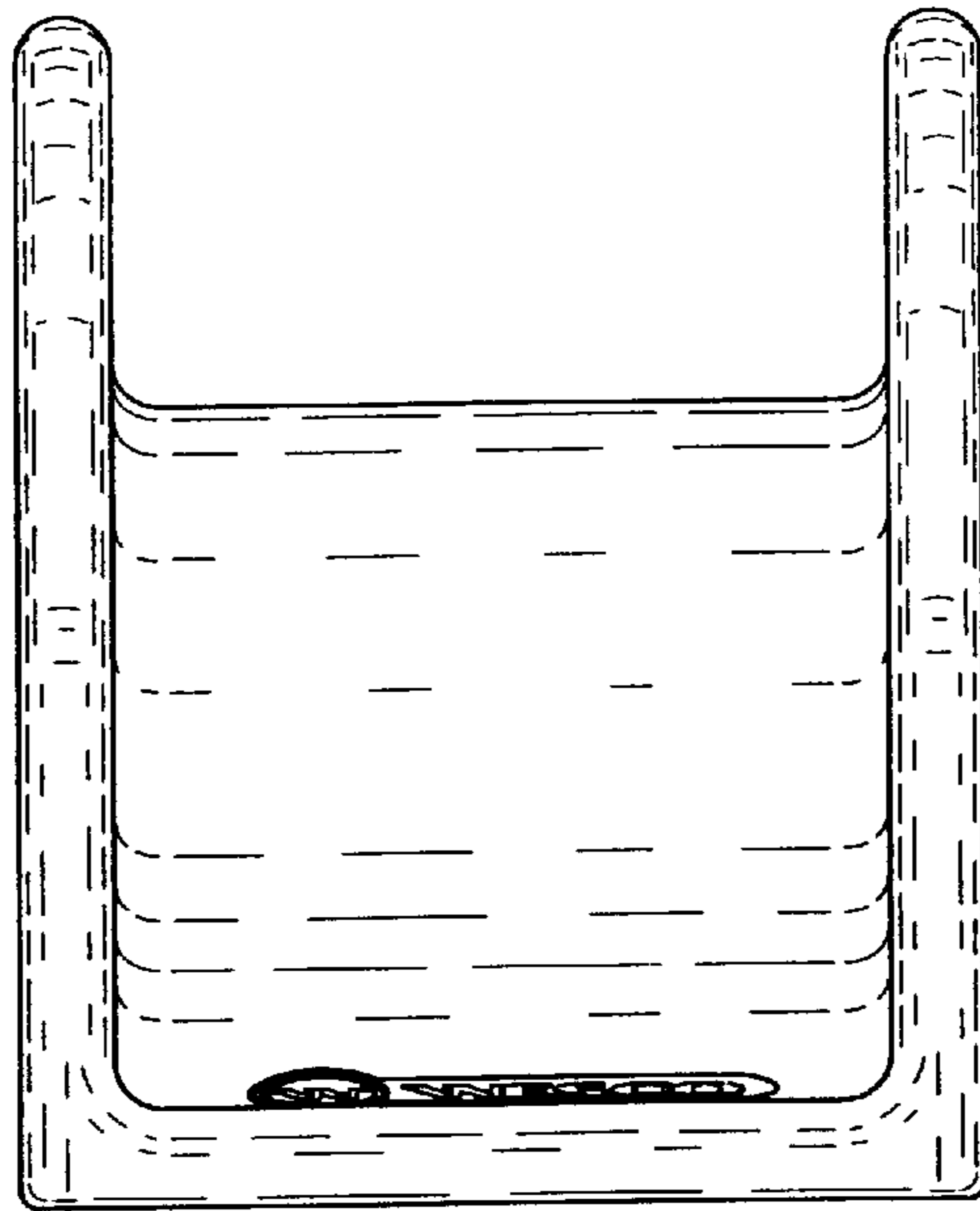


Fig. 1

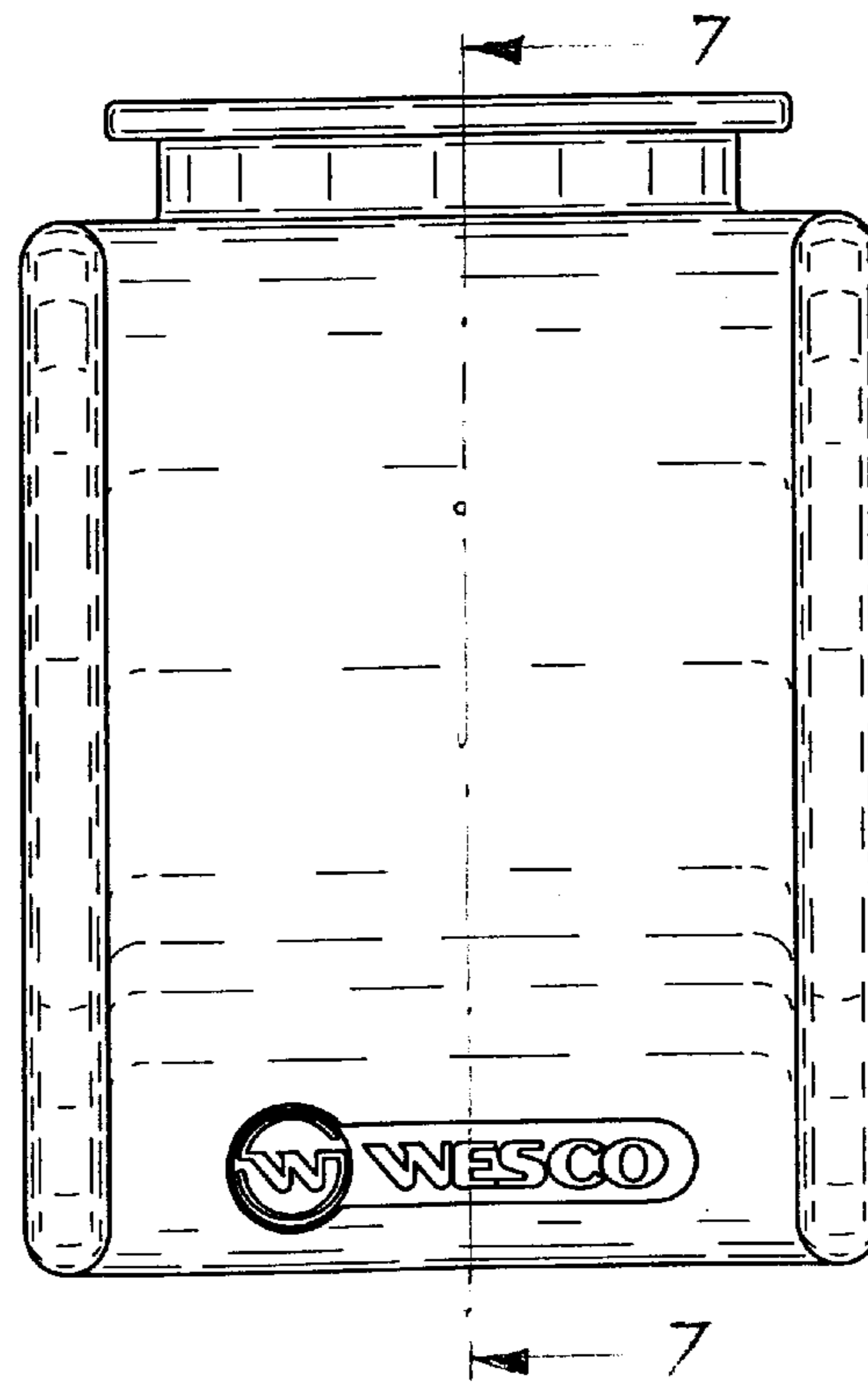


Fig. 2

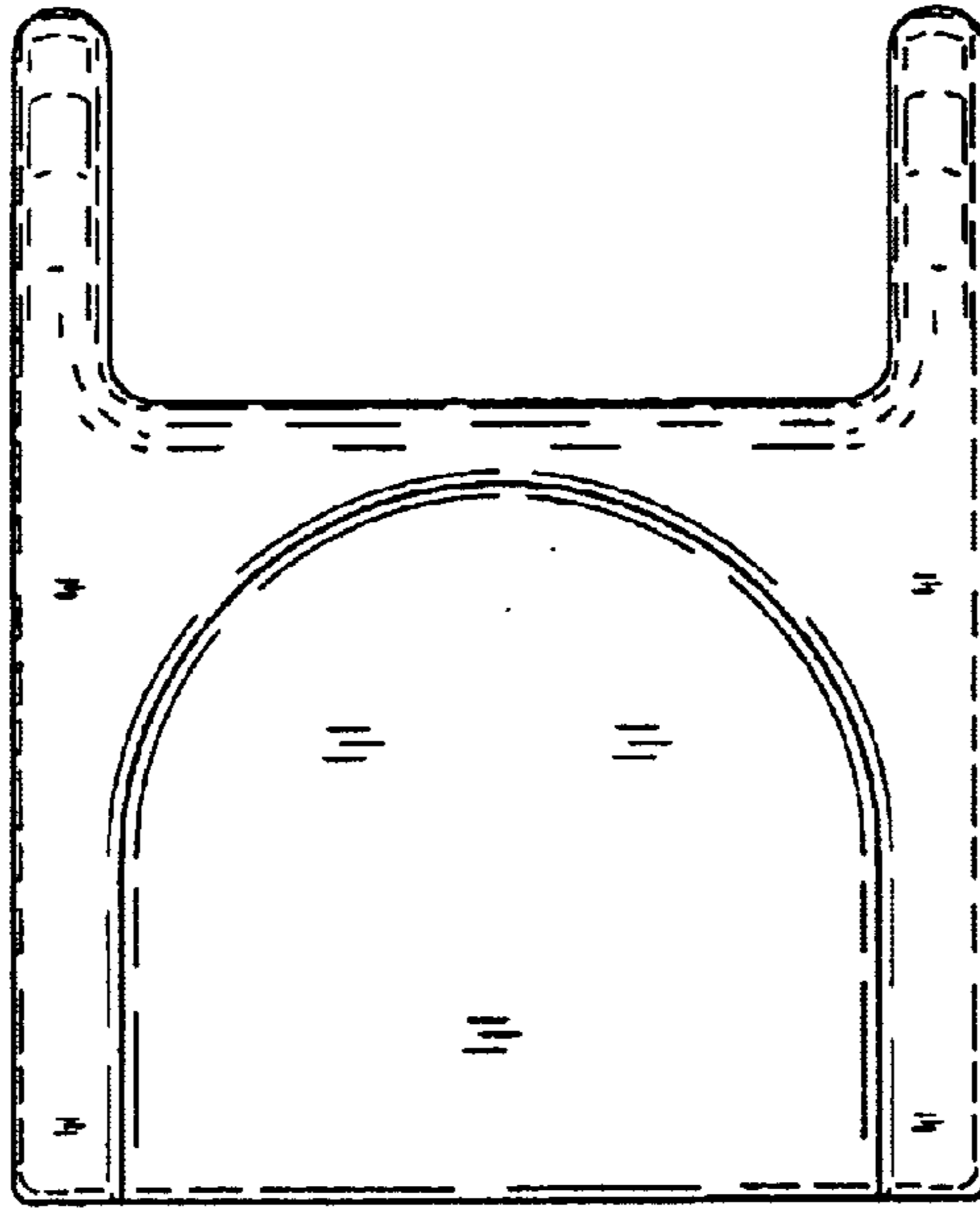


Fig. 3

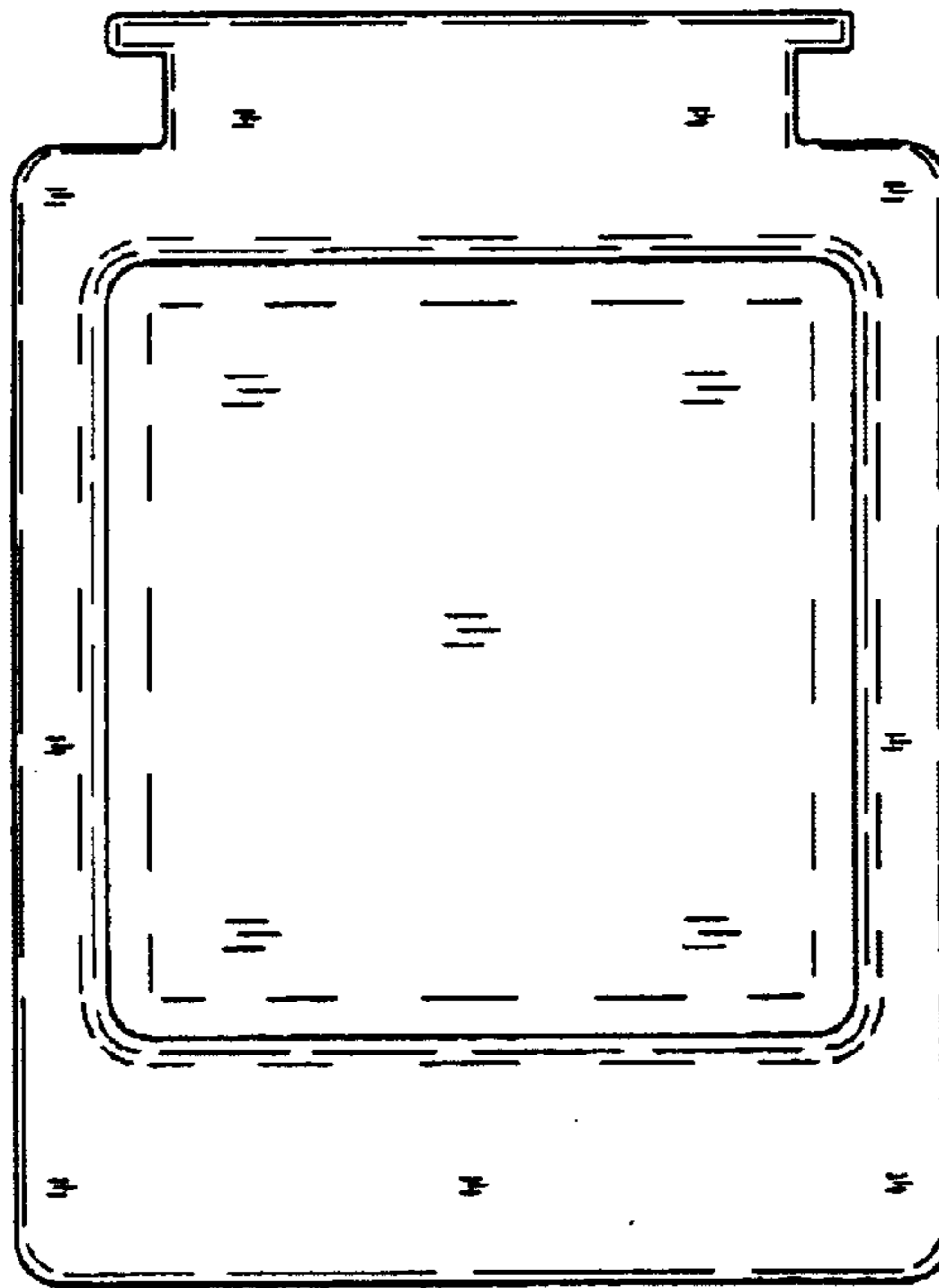


Fig. 4

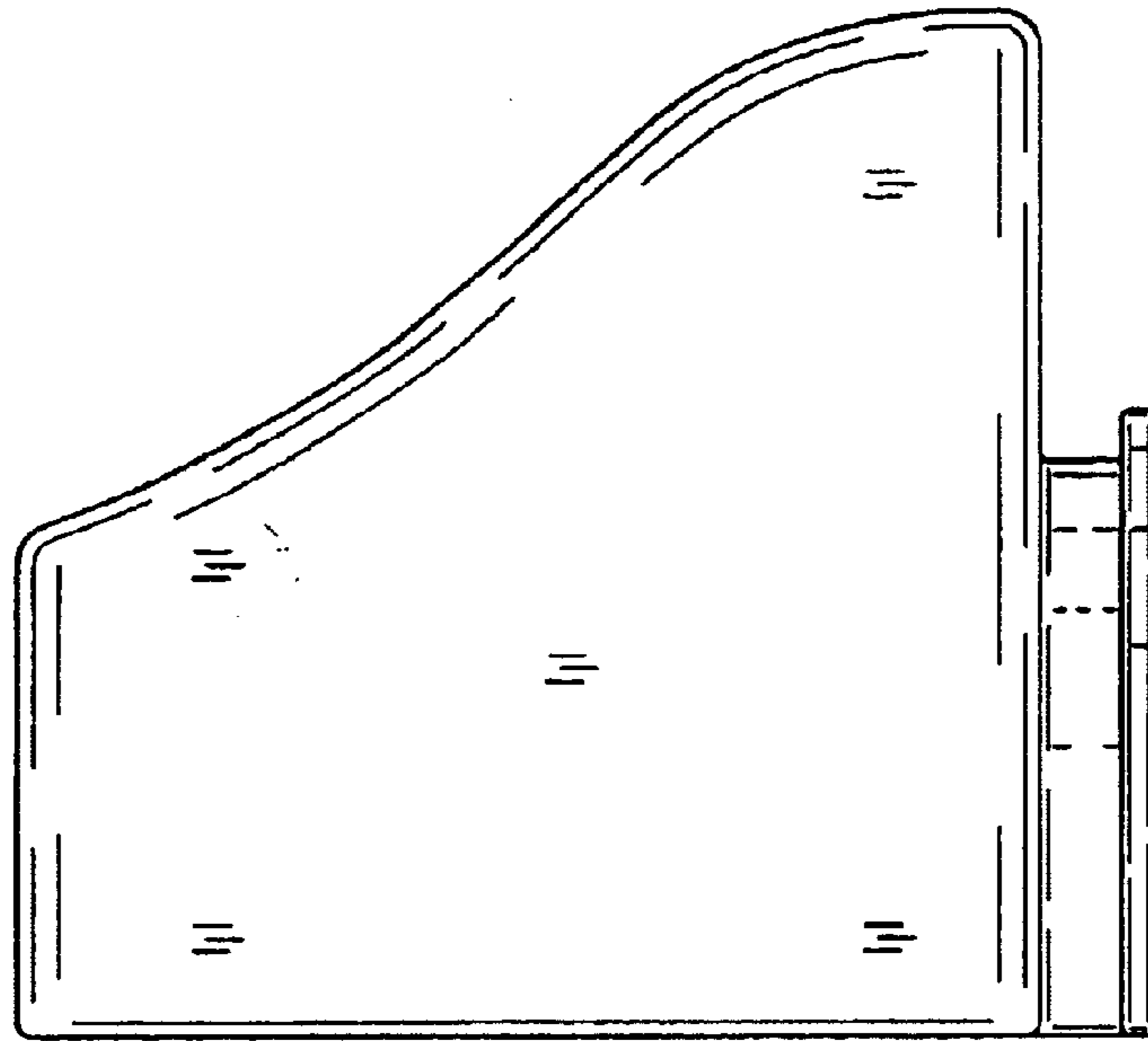


Fig. 5

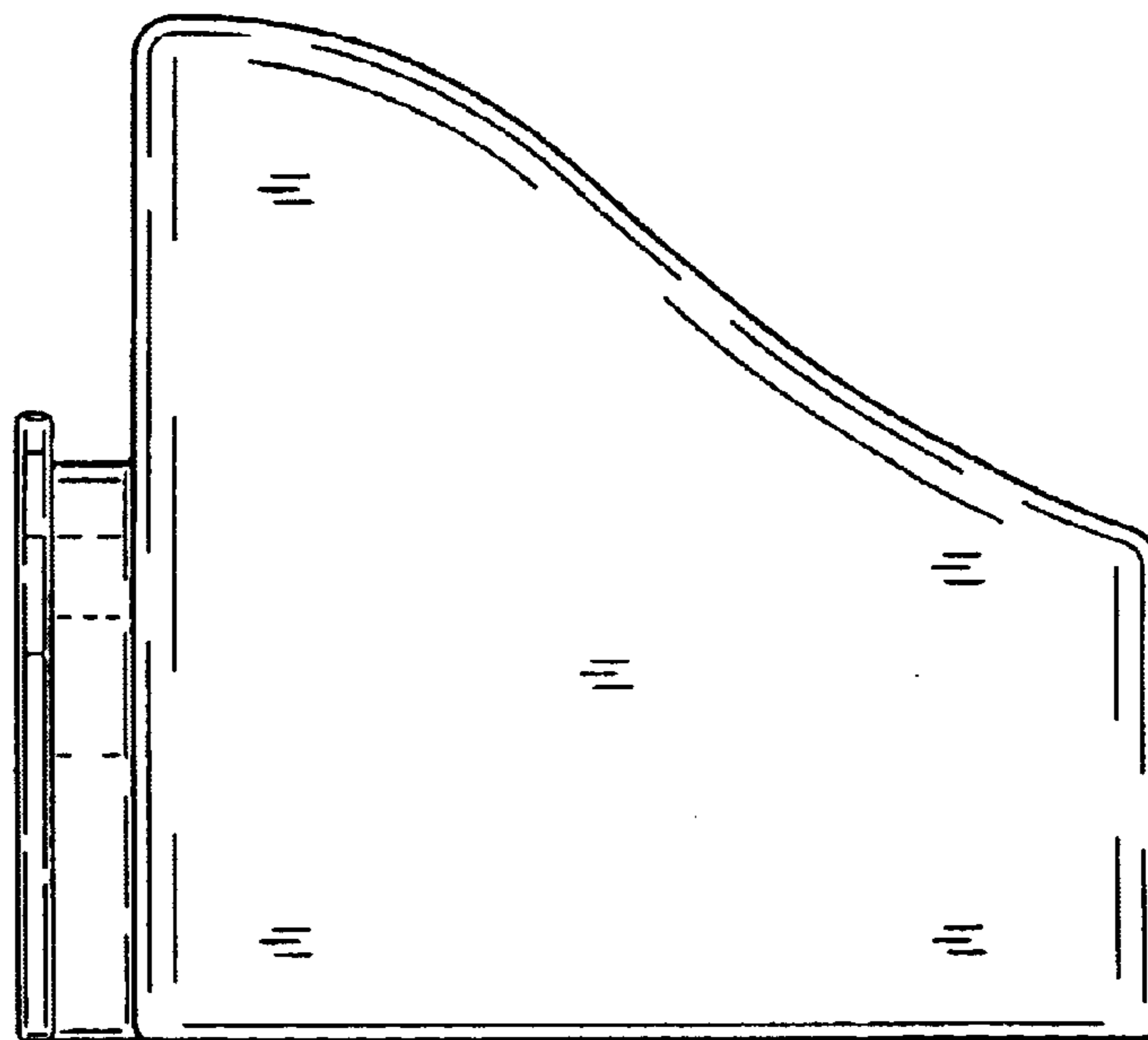


Fig. 6

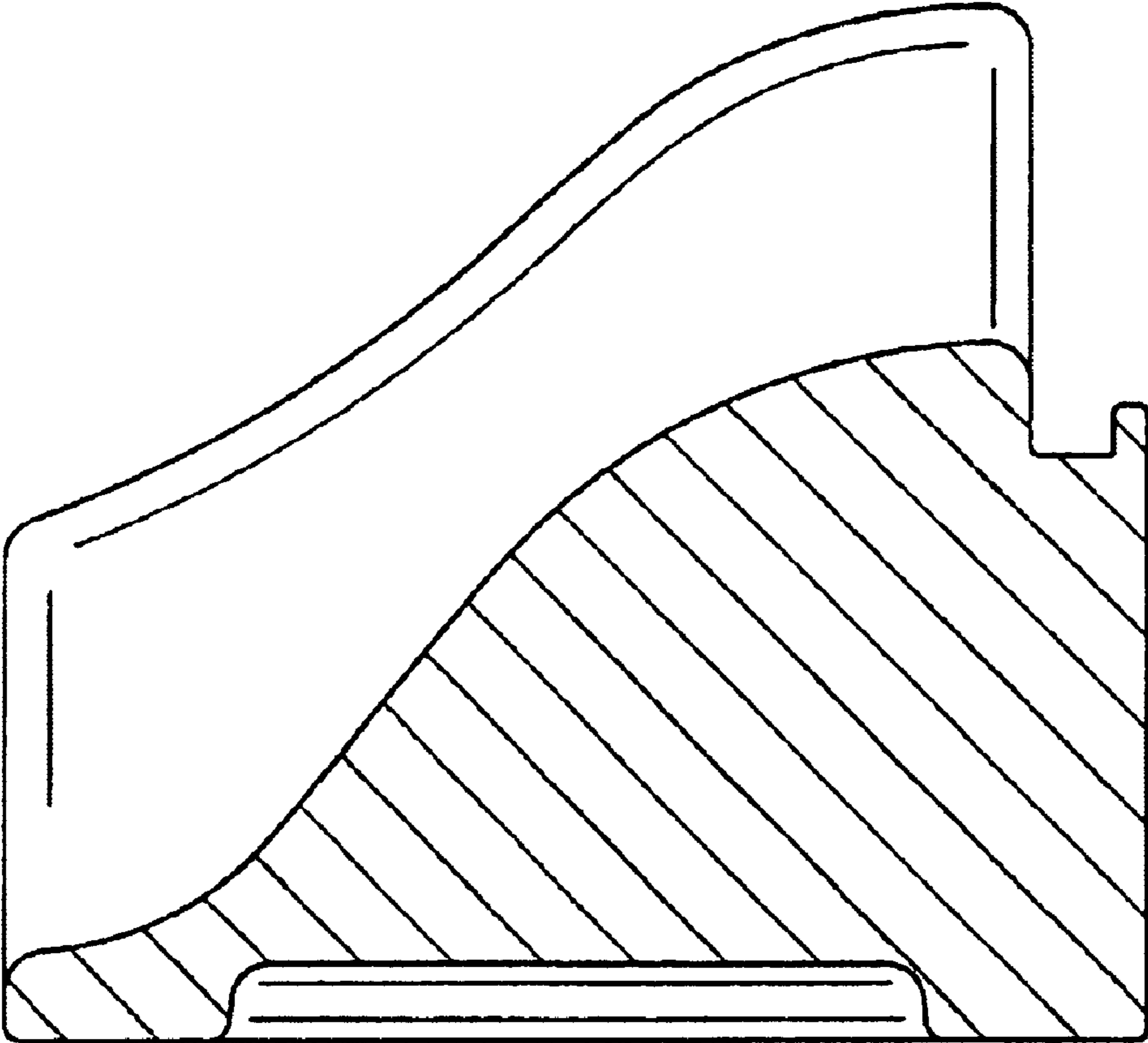


Fig. 7

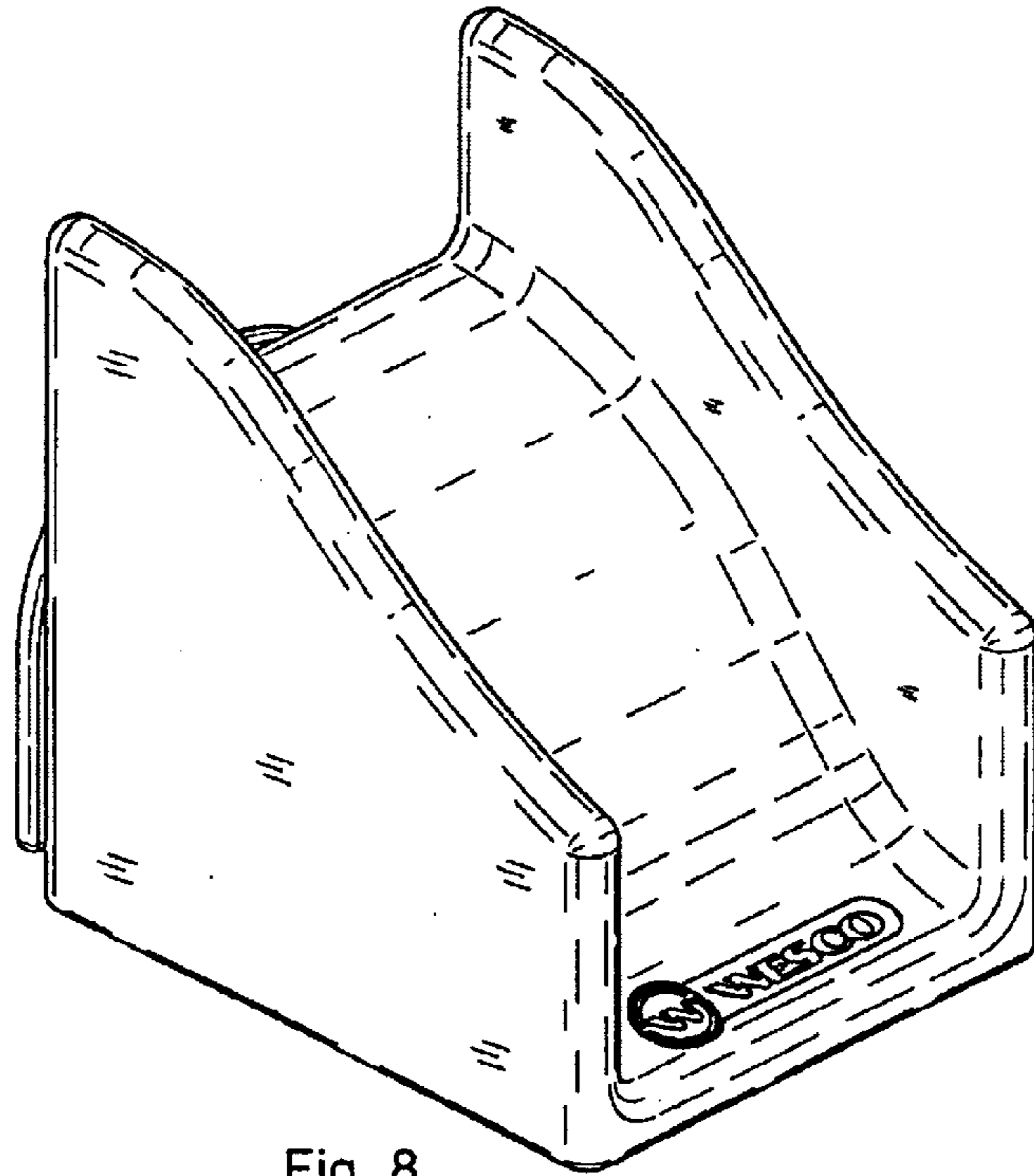


Fig. 8

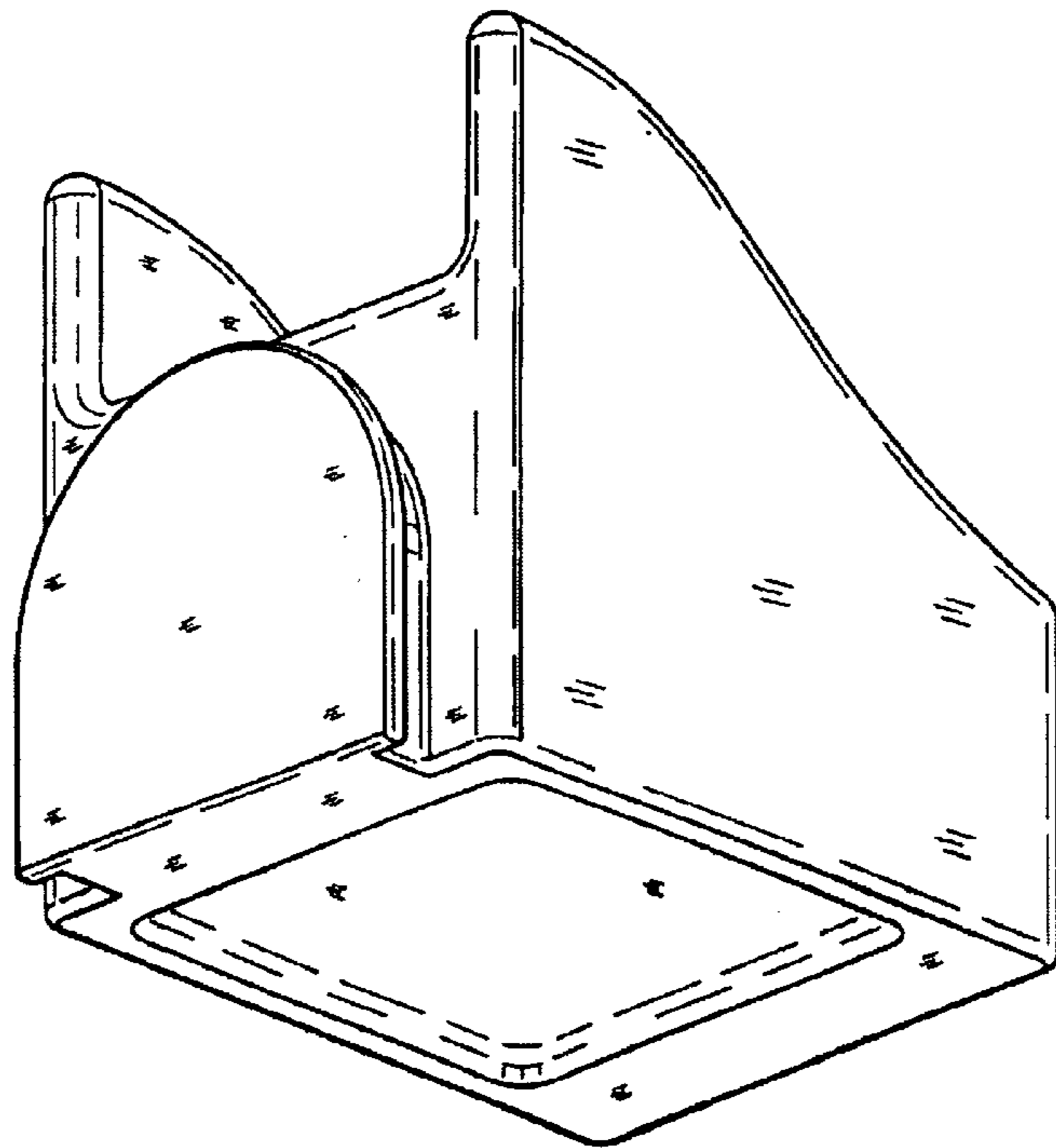


Fig. 9