



US00D514650S

(12) **United States Design Patent**
Auberger

(10) **Patent No.:** **US D514,650 S**
(45) **Date of Patent:** **** Feb. 7, 2006**

(54) **STRAIGHT TUNNEL**

(75) **Inventor:** **M. Benoît Auberger**, La Fôret sur Sèvre (FR)

(73) **Assignee:** **Wesco Company S.A.**, Cerizay (FR)

(**) **Term:** **14 Years**

(21) **Appl. No.:** **29/208,437**

(22) **Filed:** **Jun. 29, 2004**

(30) **Foreign Application Priority Data**

Dec. 29, 2003 (EM) 000184825-0020

(51) **LOC (8) Cl.** **21-03**

(52) **U.S. Cl.** **D21/814**

(58) **Field of Classification Search** D21/811,
D21/814, 818-827, 499, 501; 482/35, 36;
446/99; 135/125

See application file for complete search history.

(56) **References Cited**

U.S. PATENT DOCUMENTS

- D308,562 S * 6/1990 Pentes D21/826
- 5,387,165 A * 2/1995 Warren 482/35
- D357,299 S * 4/1995 Laing et al. D21/826

- 5,618,246 A * 4/1997 Zheng 482/35
- D381,386 S * 7/1997 Strawcutter et al. D21/826
- D384,387 S * 9/1997 Dunn et al. D21/814
- 5,669,855 A * 9/1997 Dunn et al. 482/35
- 5,692,993 A * 12/1997 Dunn et al. 482/35
- D389,550 S * 1/1998 Williams D21/826
- 5,722,446 A * 3/1998 Zheng 135/125
- 6,210,247 B1 * 4/2001 Rodriguez Ferre 446/99

* cited by examiner

Primary Examiner—Mitchell Siegel

(74) *Attorney, Agent, or Firm*—Horst M. Kasper

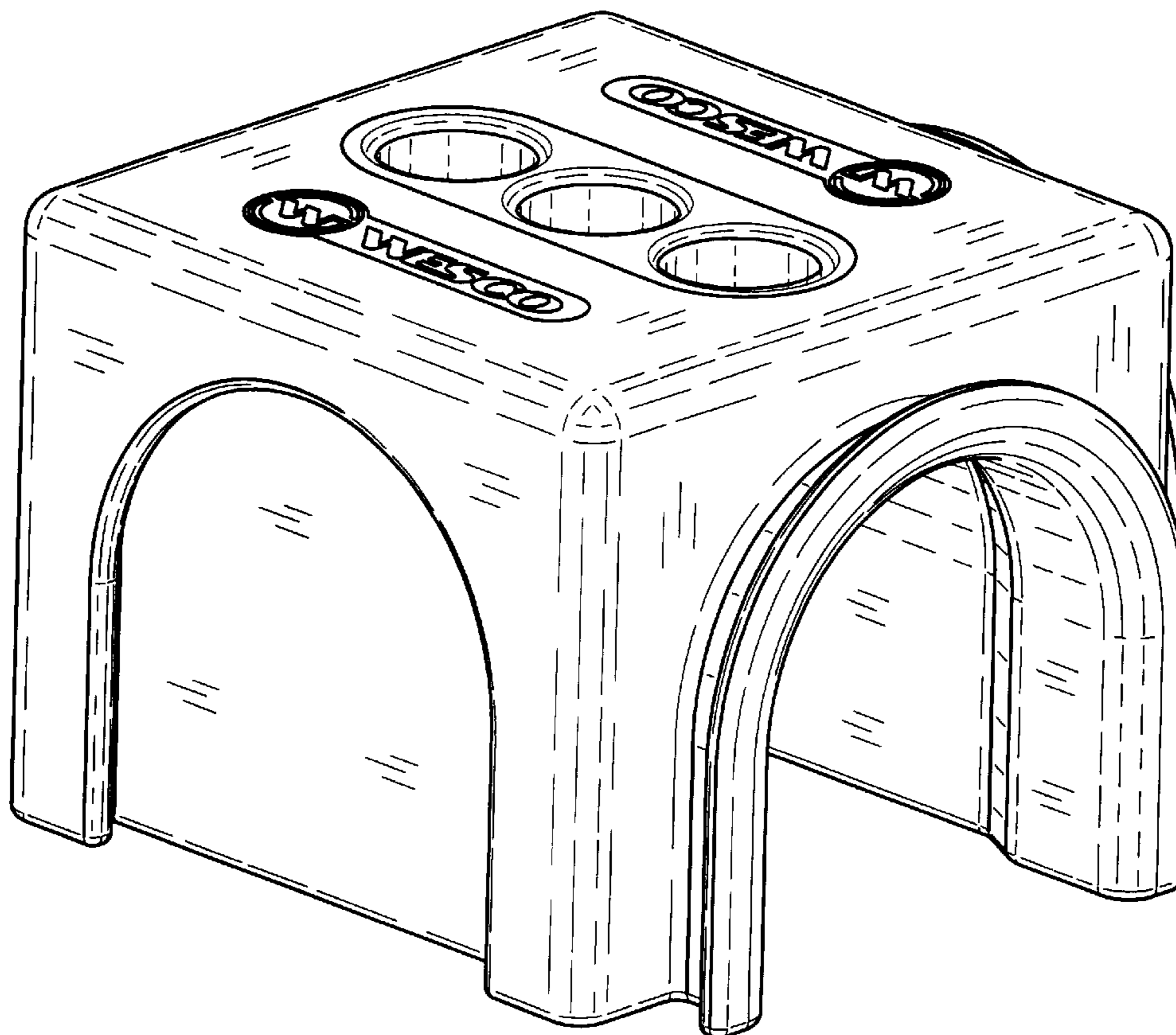
(57) **CLAIM**

The ornamental design for straight tunnel, as shown and described.

DESCRIPTION

FIG. 1 is a front elevational view of straight tunnel
 FIG. 2 is a top plan view thereof;
 FIG. 3 is a rear side elevational view thereof;
 FIG. 4 is a bottom plan view thereof;
 FIG. 5 is a left side elevational view thereof;
 FIG. 6 is a right side elevational view thereof;
 FIG. 7 is a front and side perspective view thereof; and,
 FIG. 8 is a rear and side perspective view of straight tunnel.

1 Claim, 5 Drawing Sheets



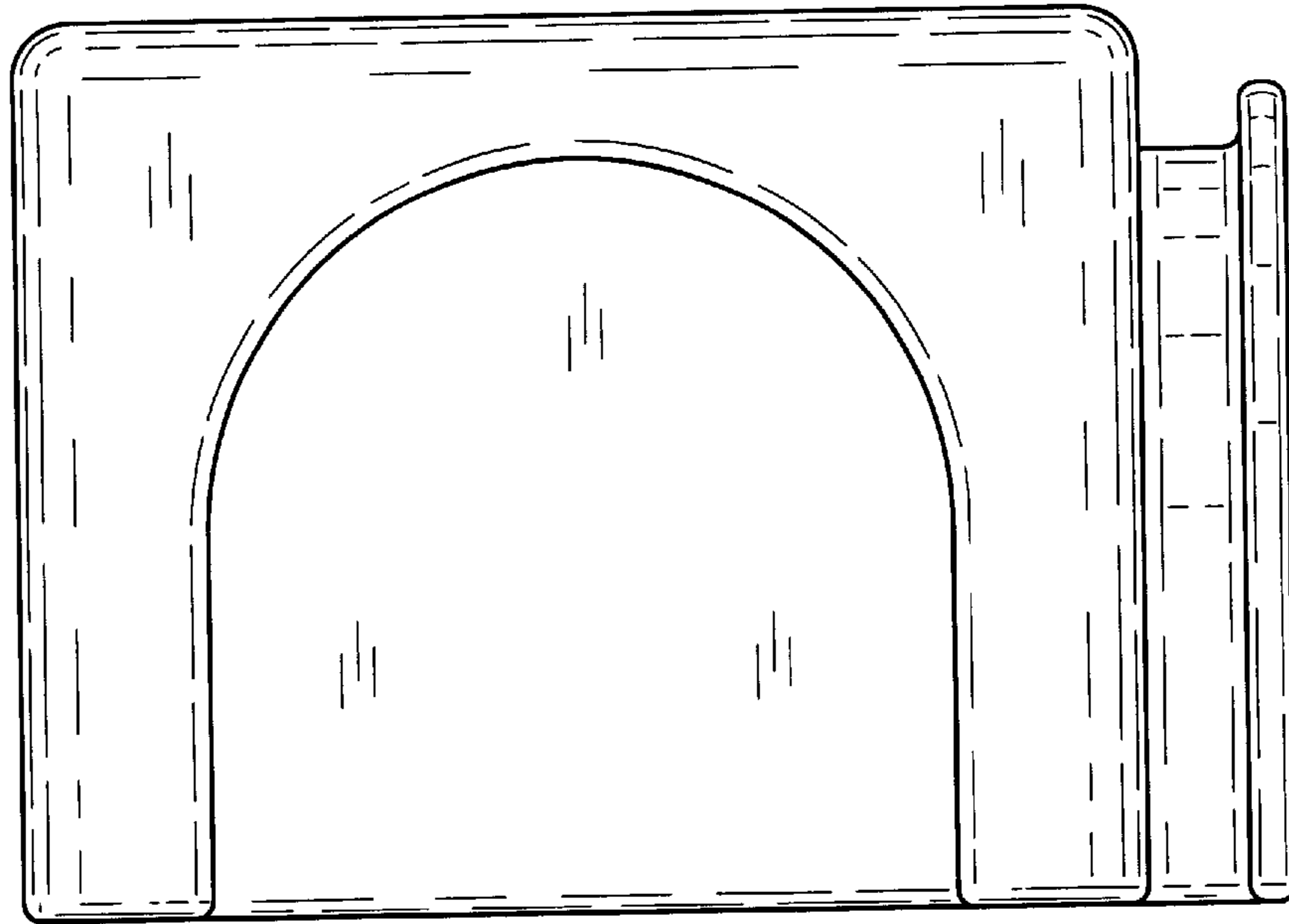


Fig.1

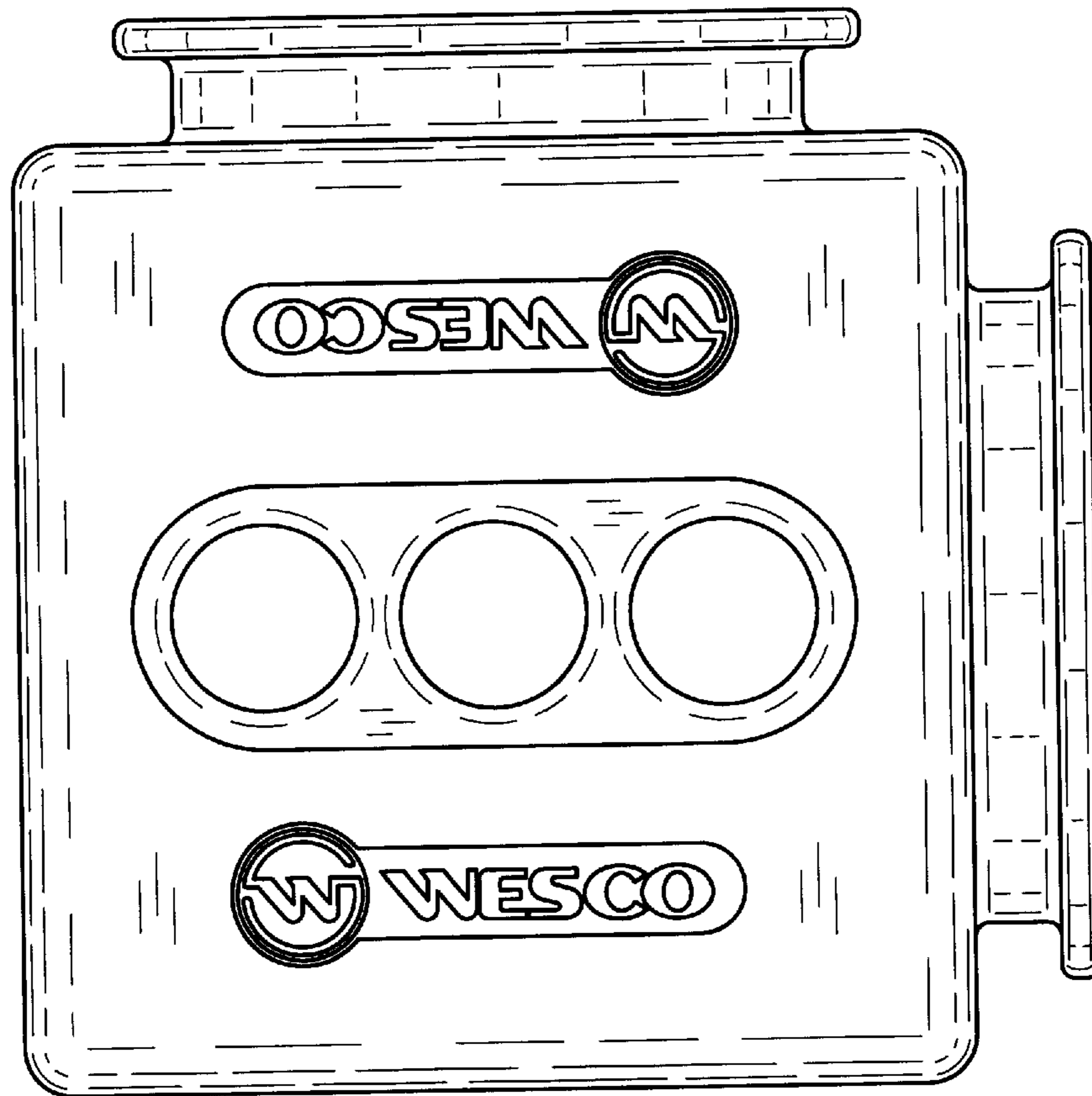


Fig.2

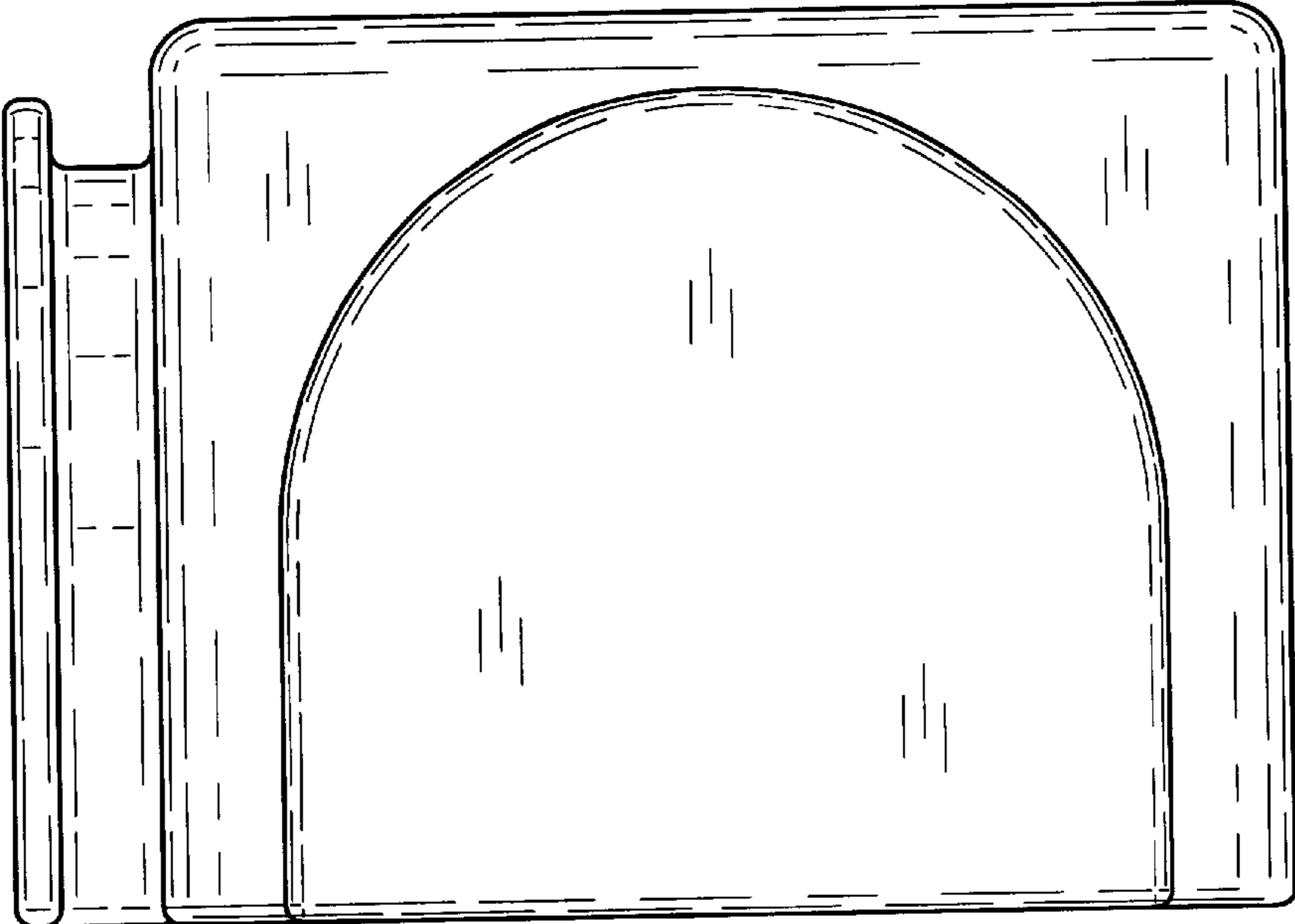


Fig.3

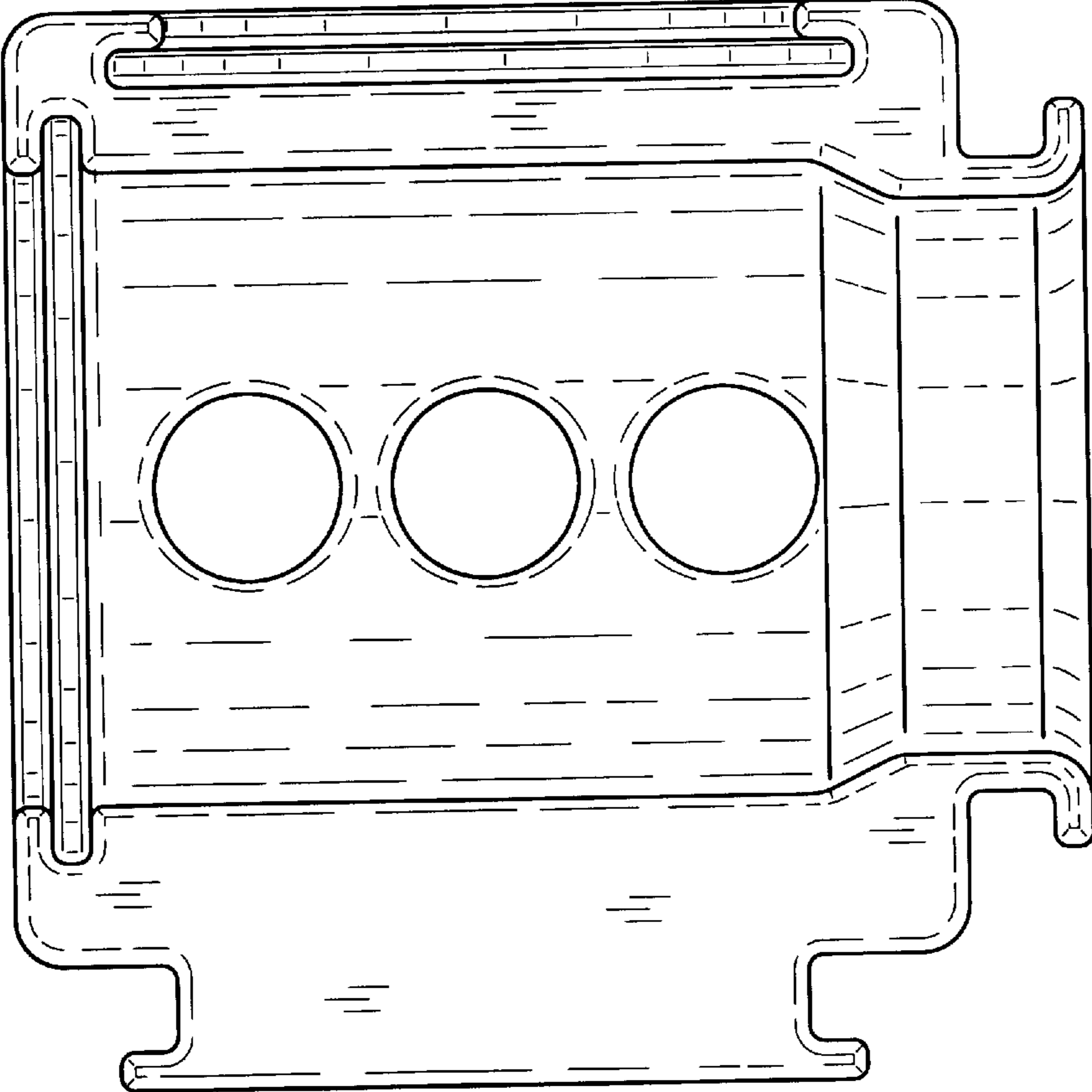


Fig.4

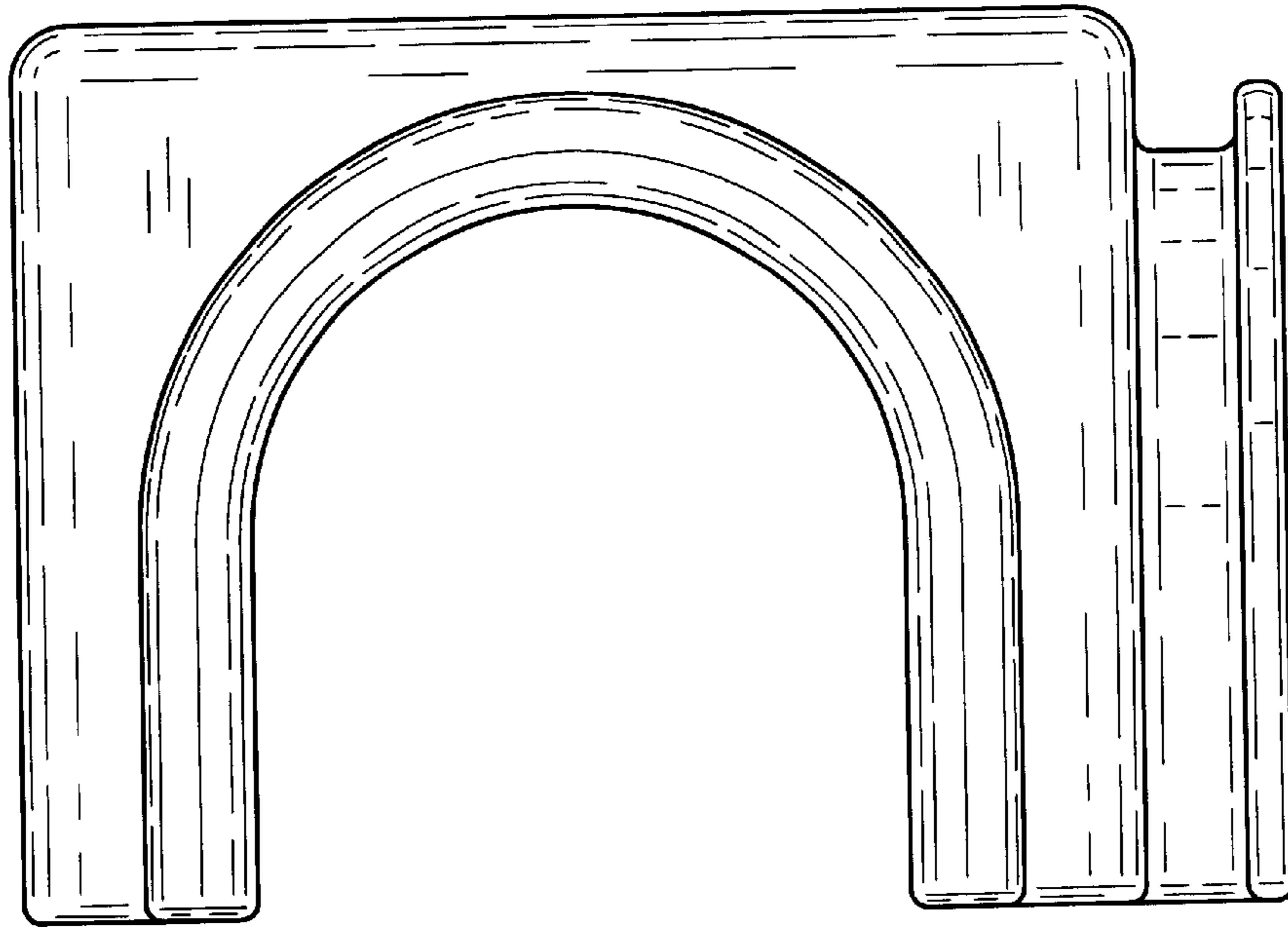


Fig.5

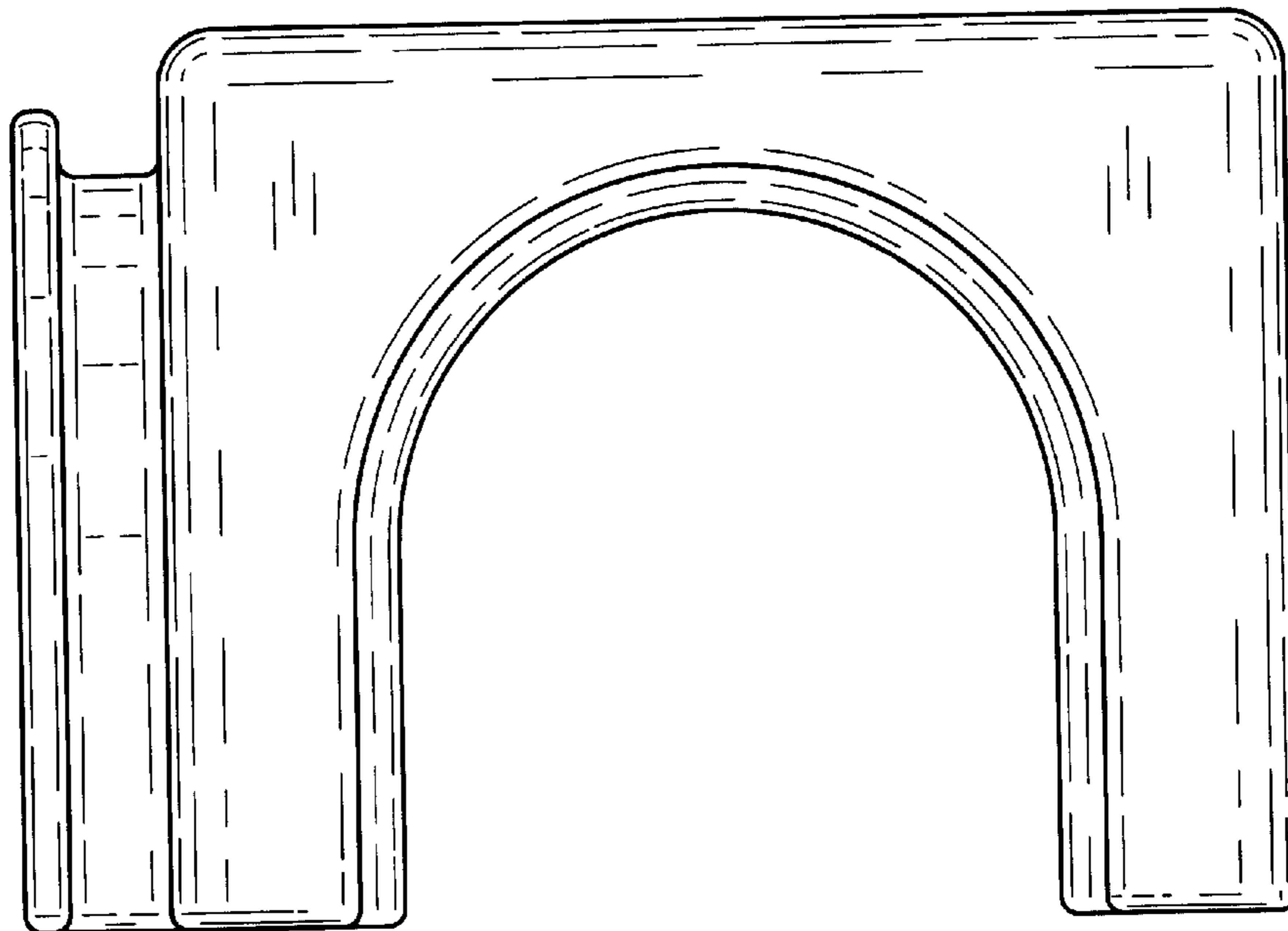


Fig.6

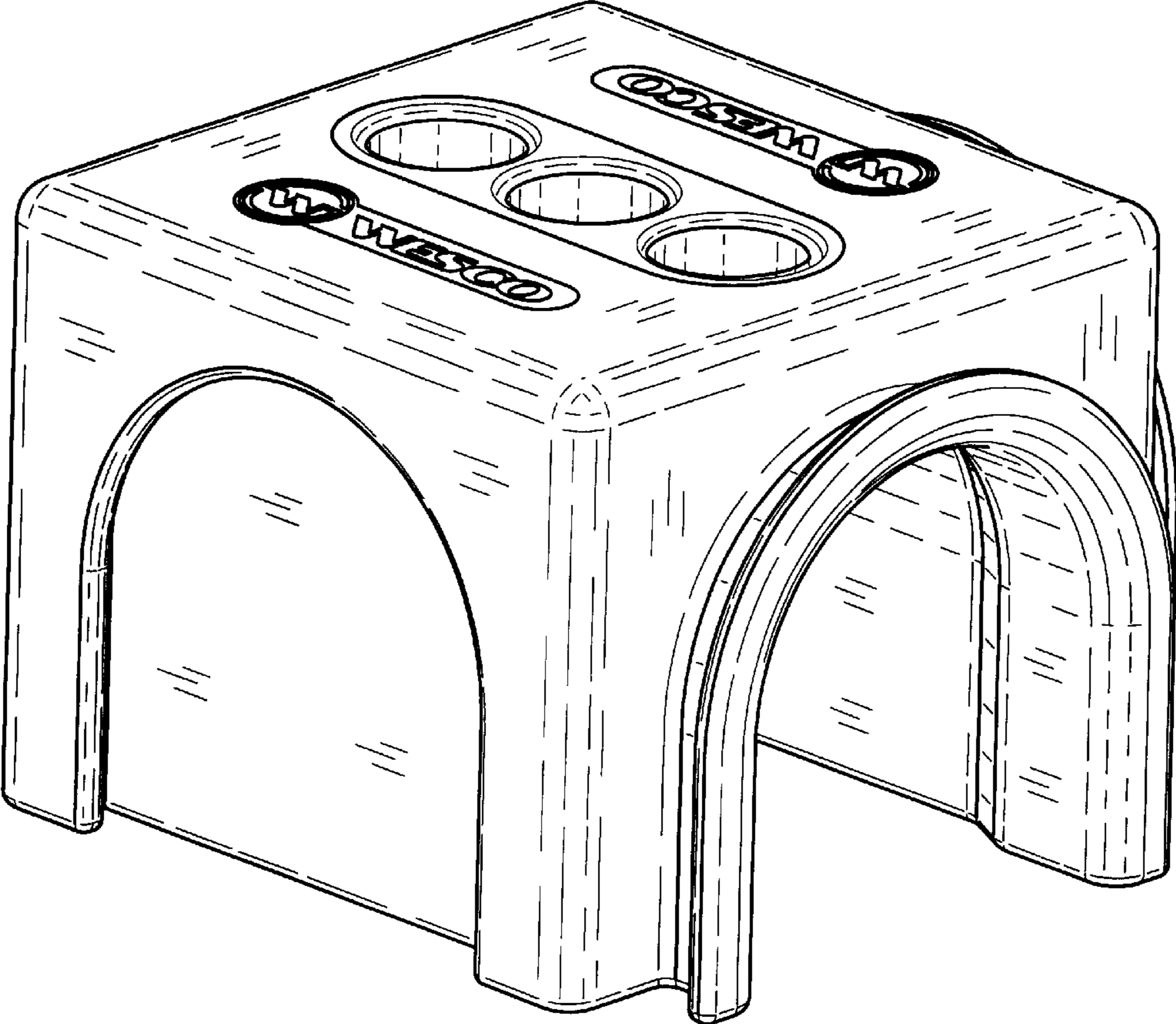


Fig.7

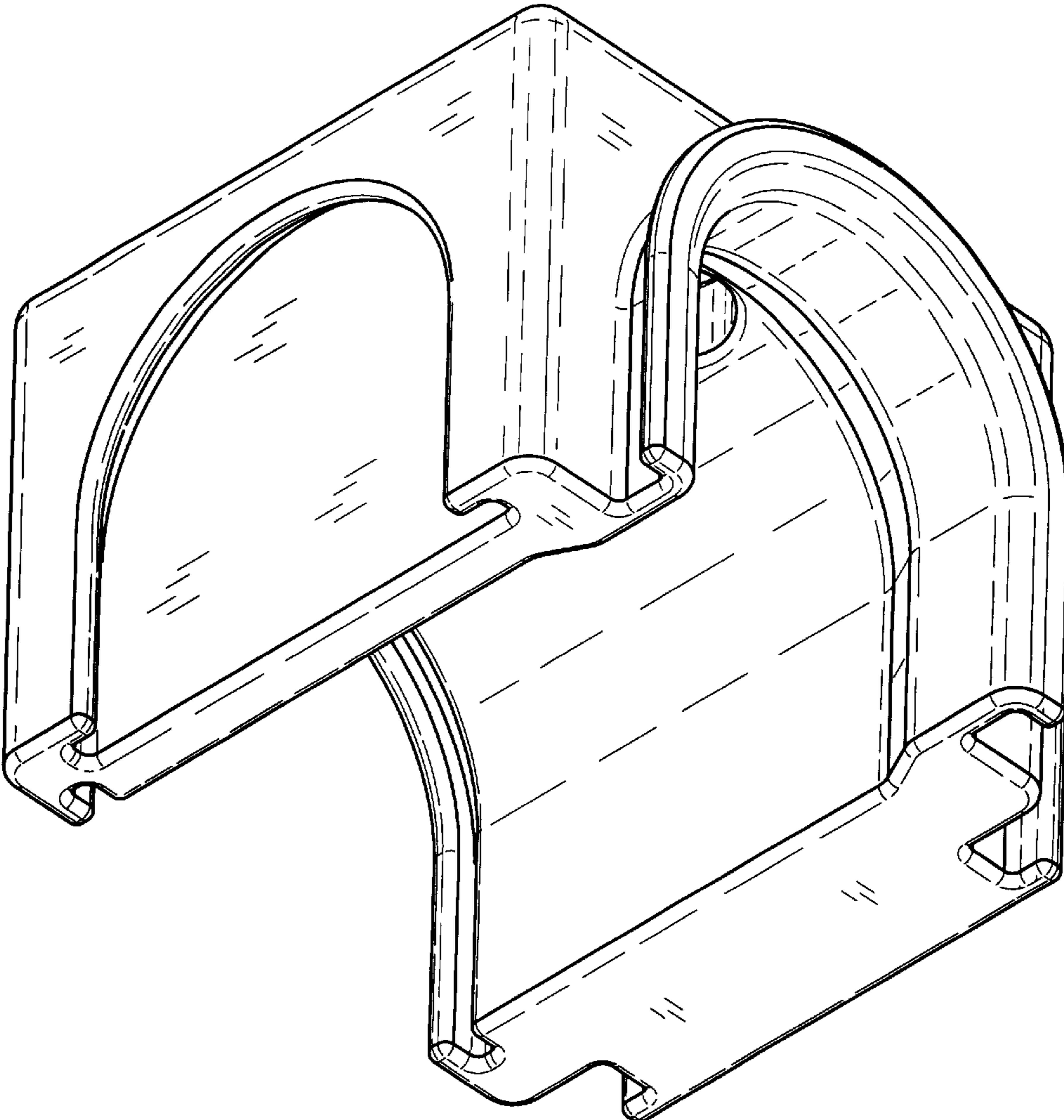


Fig.8