

US00D514649S

(12) **United States Design Patent**
Auberger

(10) **Patent No.:** **US D514,649 S**

(45) **Date of Patent:** **** Feb. 7, 2006**

(54) **HIGH BARRIER**

(75) **Inventor:** **M. Benoît Auberger**, La Fôret sur
Sèvre (FR)

(73) **Assignee:** **WESCO Company S.A.**, Cerizay (FR)

(**) **Term:** **14 Years**

(21) **Appl. No.:** **29/208,434**

(22) **Filed:** **Jun. 29, 2004**

(30) **Foreign Application Priority Data**

Dec. 29, 2003 (EM) 000119441-0026

(51) **LOC (8) Cl.** **21-03**

(52) **U.S. Cl.** **D21/814**

(58) **Field of Classification Search** D21/811,
D21/814, 818-827, 493; 482/35, 36; D25/50,
D25/39, 38; 446/35, 314, 124, 125
See application file for complete search history.

(56) **References Cited**

U.S. PATENT DOCUMENTS

D353,867 S * 12/1994 Houry et al. D21/814

D354,108 S * 1/1995 Houry et al. D21/814
D367,308 S * 2/1996 Kelley et al. D21/814
D401,640 S * 11/1998 Van Wagenen D21/811
D430,255 S * 8/2000 Yates et al. D21/814
D502,550 S * 3/2005 Walker D25/38

* cited by examiner

Primary Examiner—Mitchell Siegel

(74) *Attorney, Agent, or Firm*—Horst M. Kasper

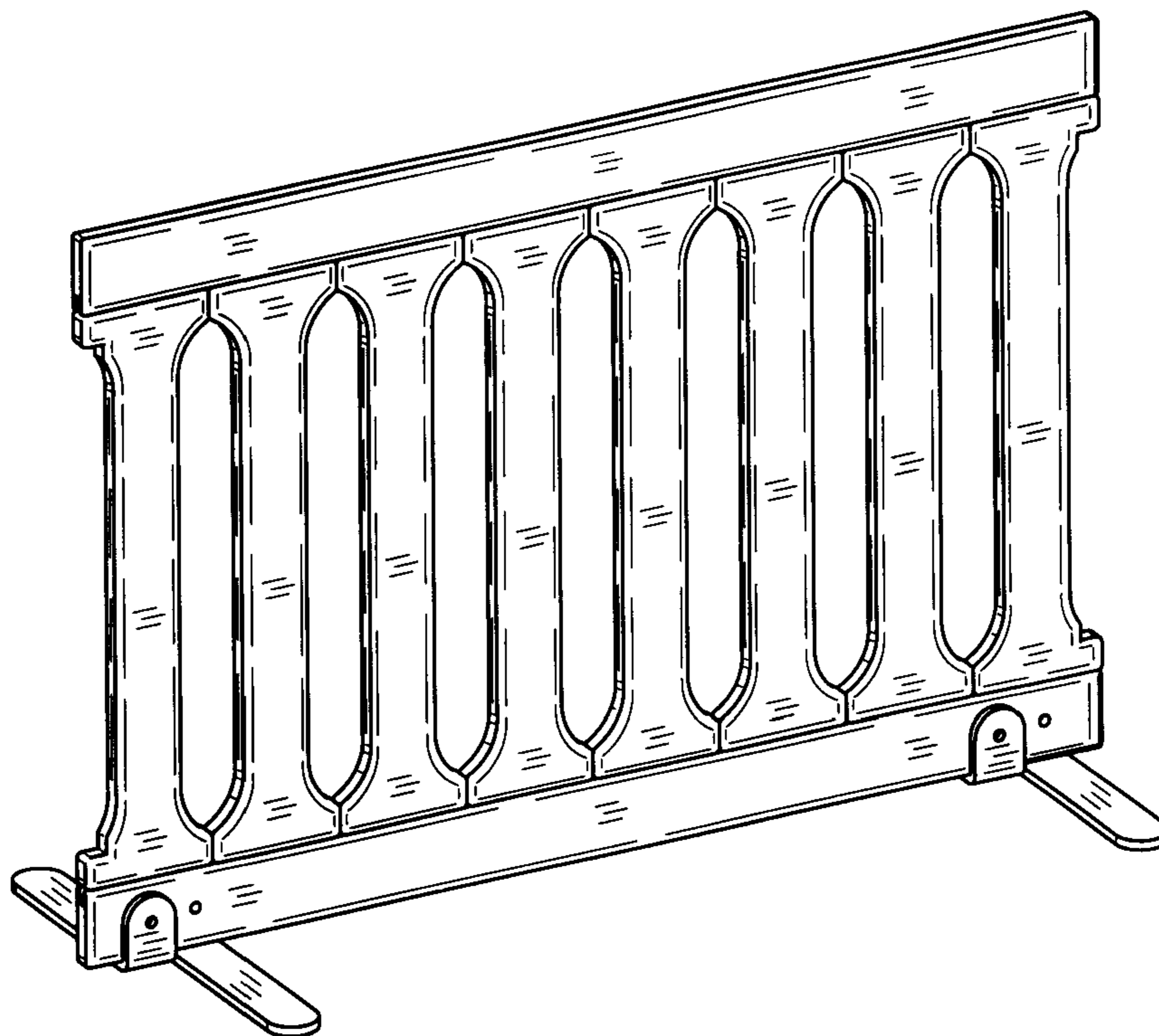
(57) **CLAIM**

The ornamental design for high barrier, as shown and described.

DESCRIPTION

FIG. 1 is a front elevational view of high barrier
FIG. 2 is a top plan view thereof;
FIG. 3 is a side elevational view thereof;
FIG. 4 is a bottom side elevational view thereof; and,
FIG. 5 is a front and side perspective view of high barrier.

1 Claim, 3 Drawing Sheets



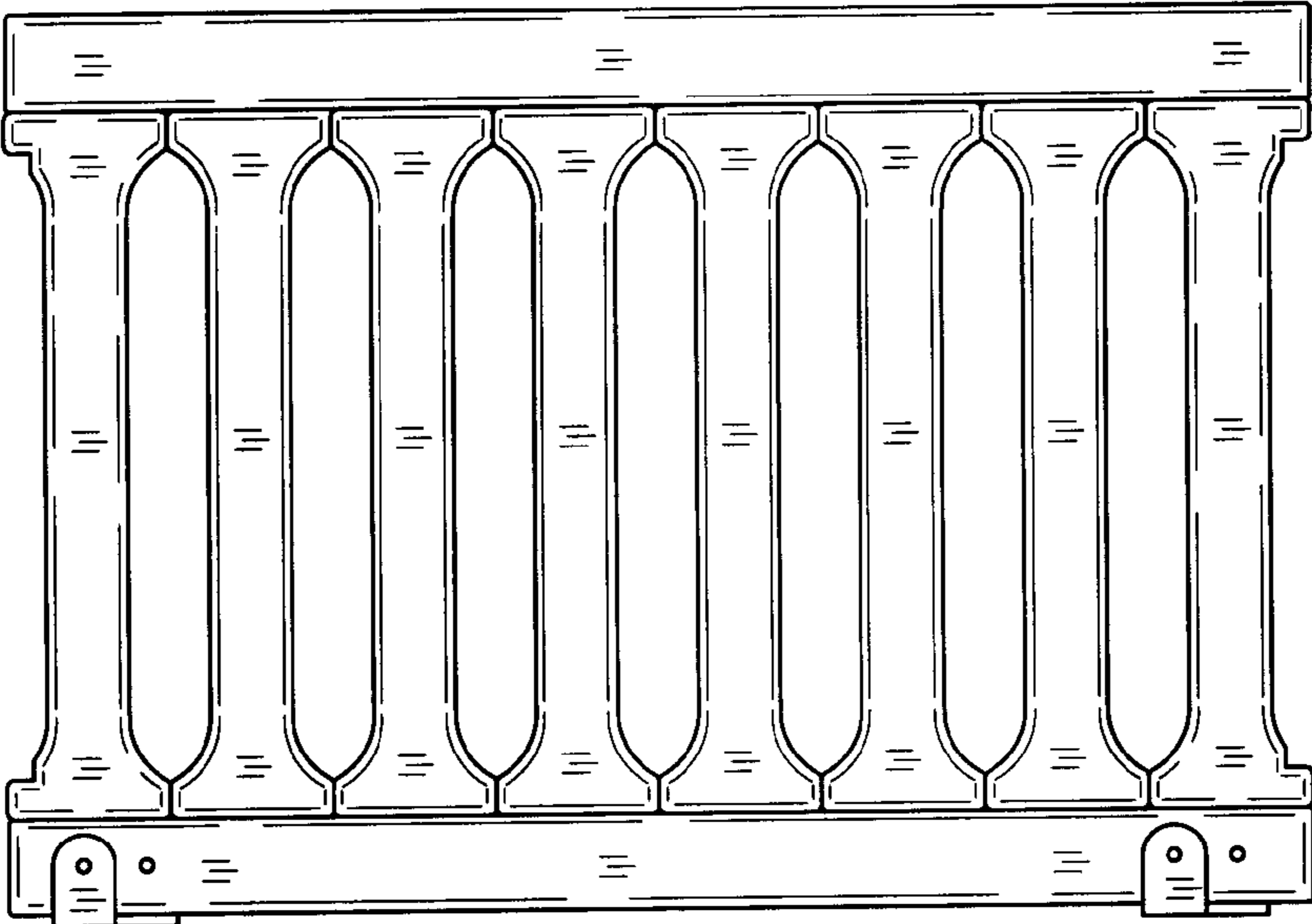


Fig. 1

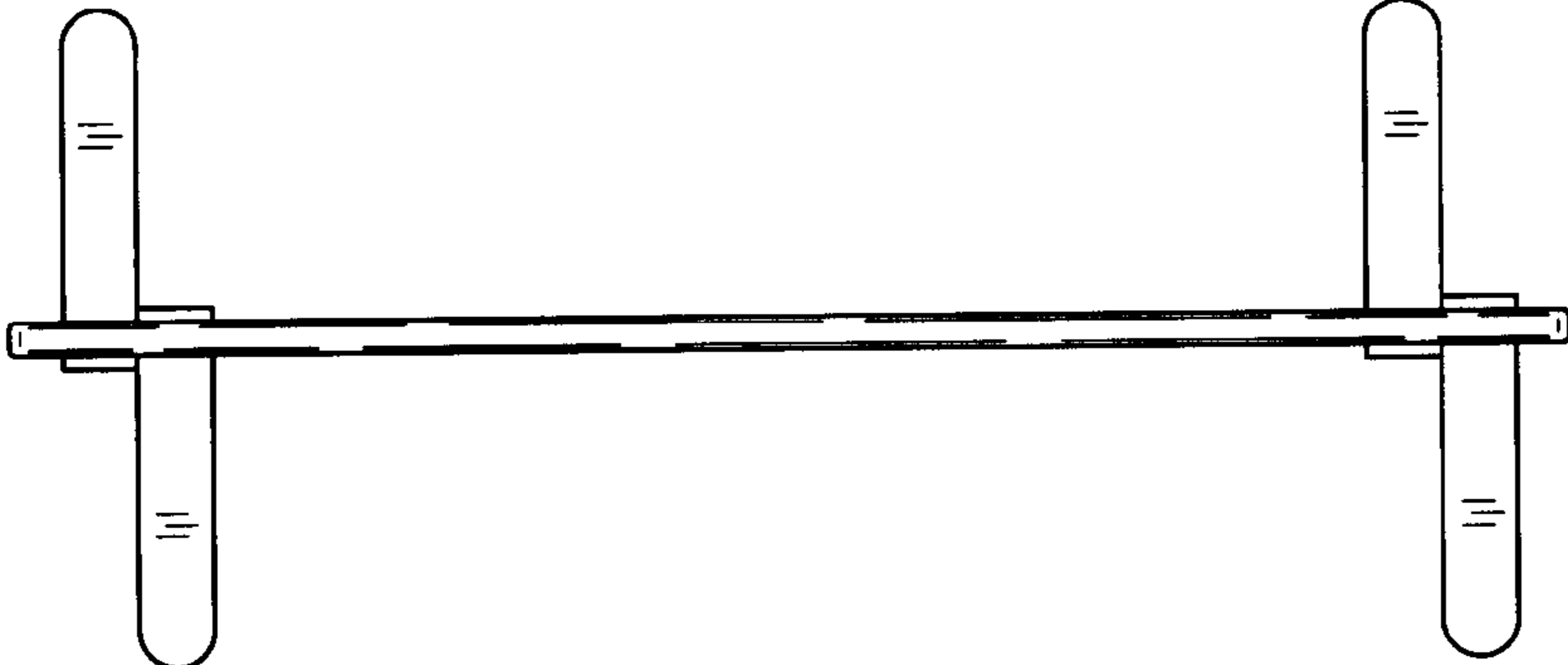


Fig. 2

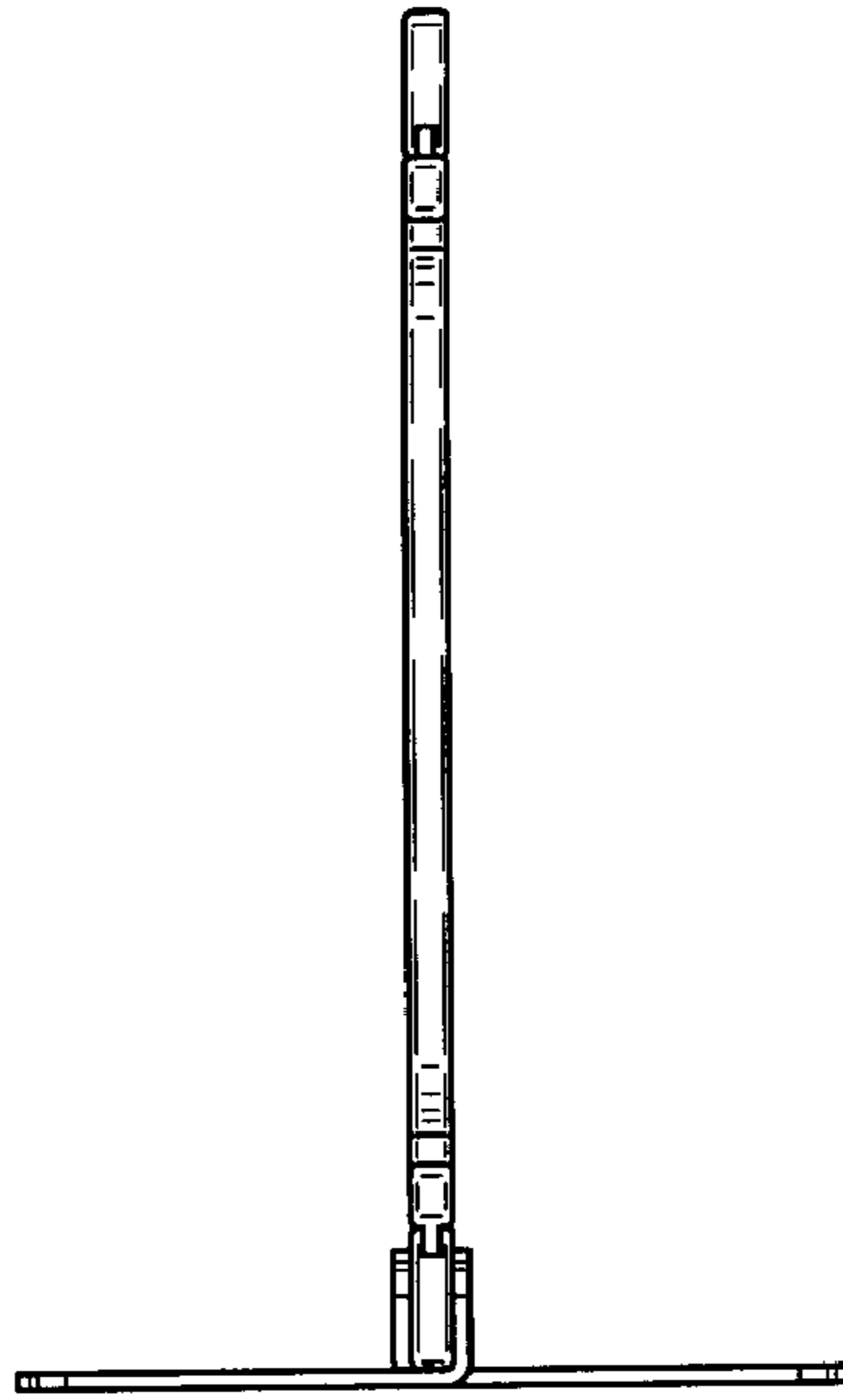


Fig. 3

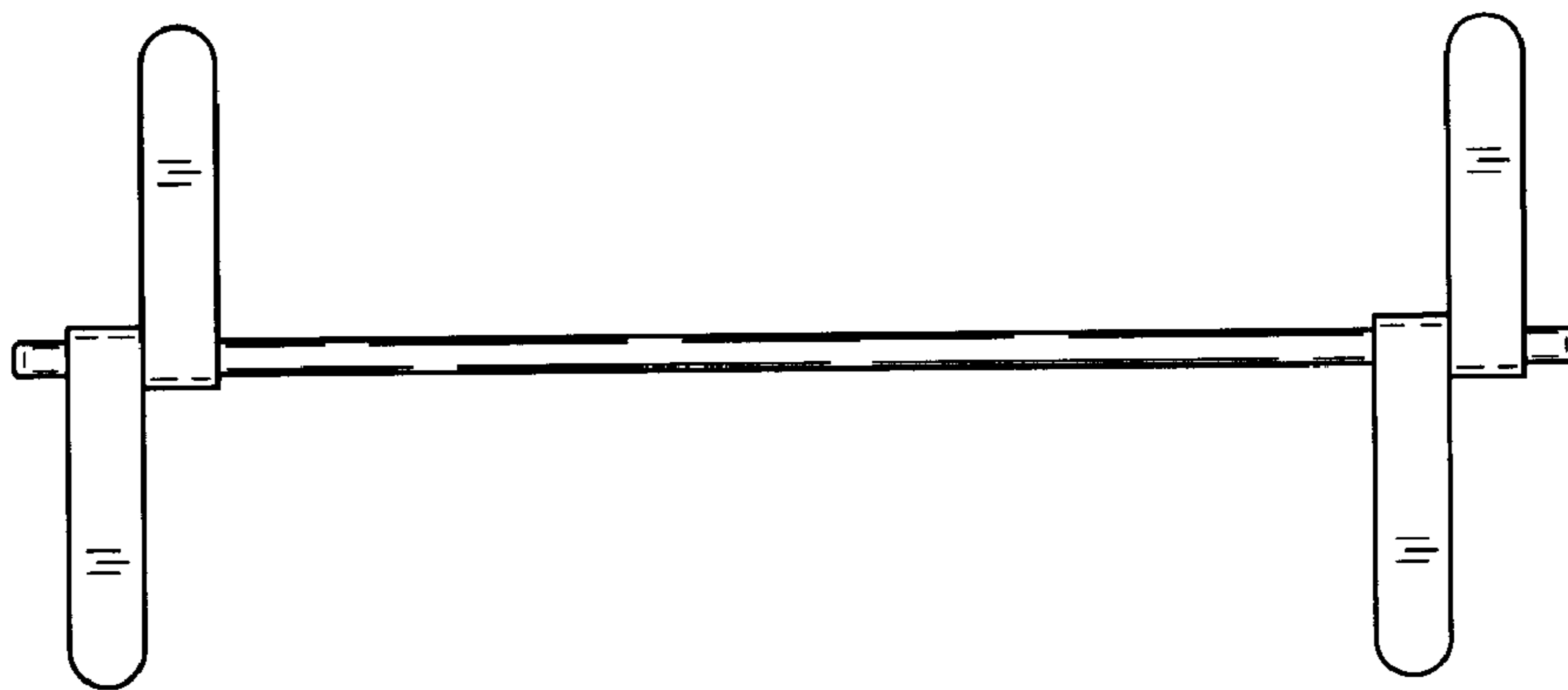


Fig. 4

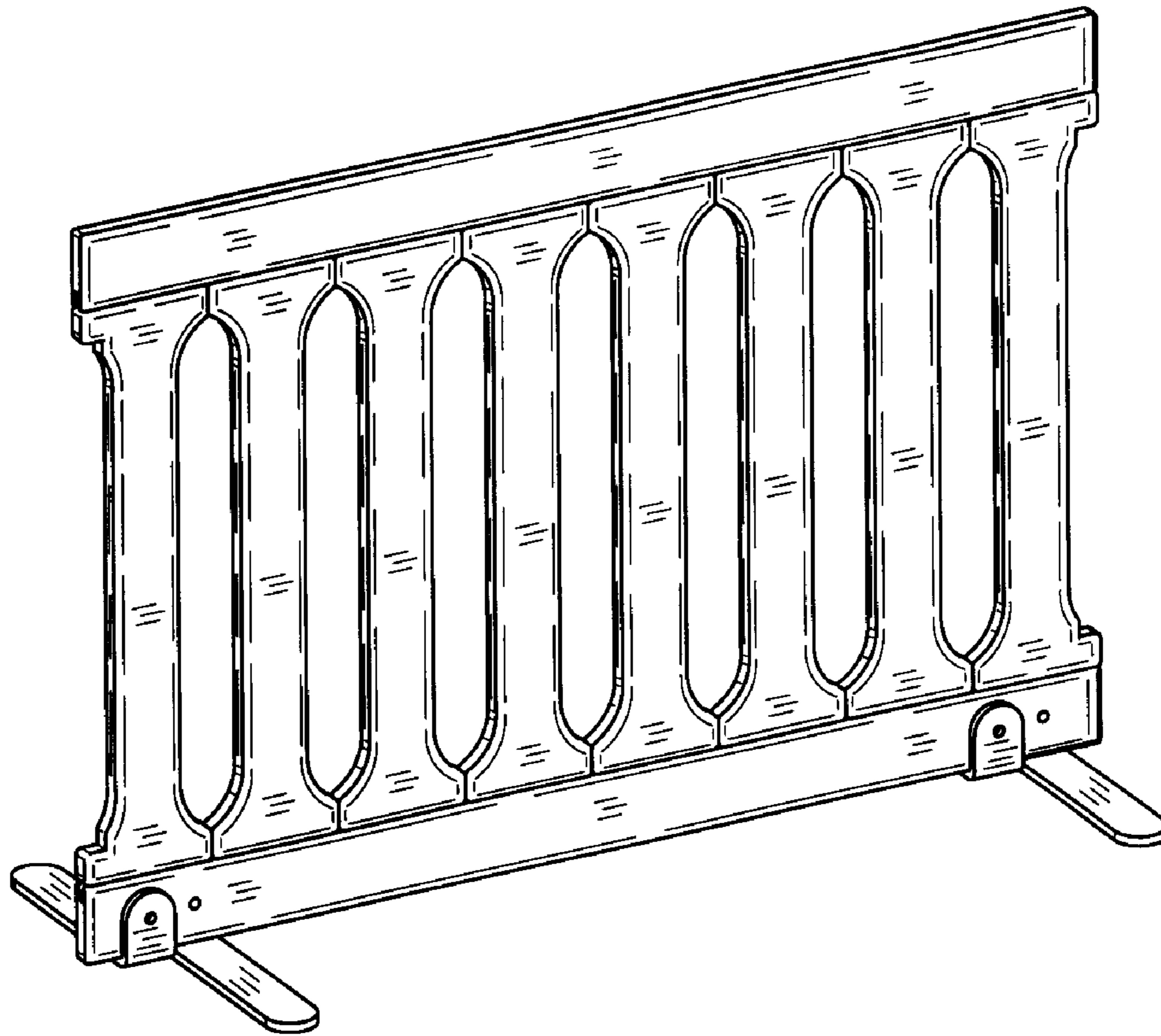


Fig. 5