



US00D514646S

(12) **United States Design Patent**  
**Lipic**

(10) **Patent No.:** **US D514,646 S**  
(45) **Date of Patent:** **\*\* Feb. 7, 2006**

(54) **GOLF TOOL FOR REPAIRING DIVOTS AND TIGHTENING CLEATS**

D383,825 S \* 9/1997 Rhodes ..... D21/793  
D463,522 S \* 9/2002 Goessling, Jr. .... D21/793  
6,796,913 B2 \* 9/2004 Tumillo ..... 473/408

(76) Inventor: **Robert J. Lipic**, 18273 Teepee Trail,  
Hudson, IL (US) 61748

\* cited by examiner

(\*\*) Term: **14 Years**

*Primary Examiner*—Mitchell Siegel

(74) *Attorney, Agent, or Firm*—Emrich & Dithmar LLC

(21) Appl. No.: **29/210,218**

(57) **CLAIM**

(22) Filed: **Jul. 27, 2004**

The ornamental design for a golf tool for repairing divots and tightening cleats, as shown and described.

(51) **LOC (8) Cl.** ..... **21-02**

(52) **U.S. Cl.** ..... **D21/793**

(58) **Field of Classification Search** ..... D21/789,  
D21/793, 794; 473/286, 408; D2/642  
See application file for complete search history.

**DESCRIPTION**

FIG. 1 is a lower, frontal perspective view showing the new design;

FIG. 2 is a top view thereof;

FIG. 3 is a left side view thereof;

FIG. 4 is a front view thereof; and,

FIG. 5 is a right side view thereof.

The rear of the article is unadorned and appears in outline as a mirror image of FIG. 4.

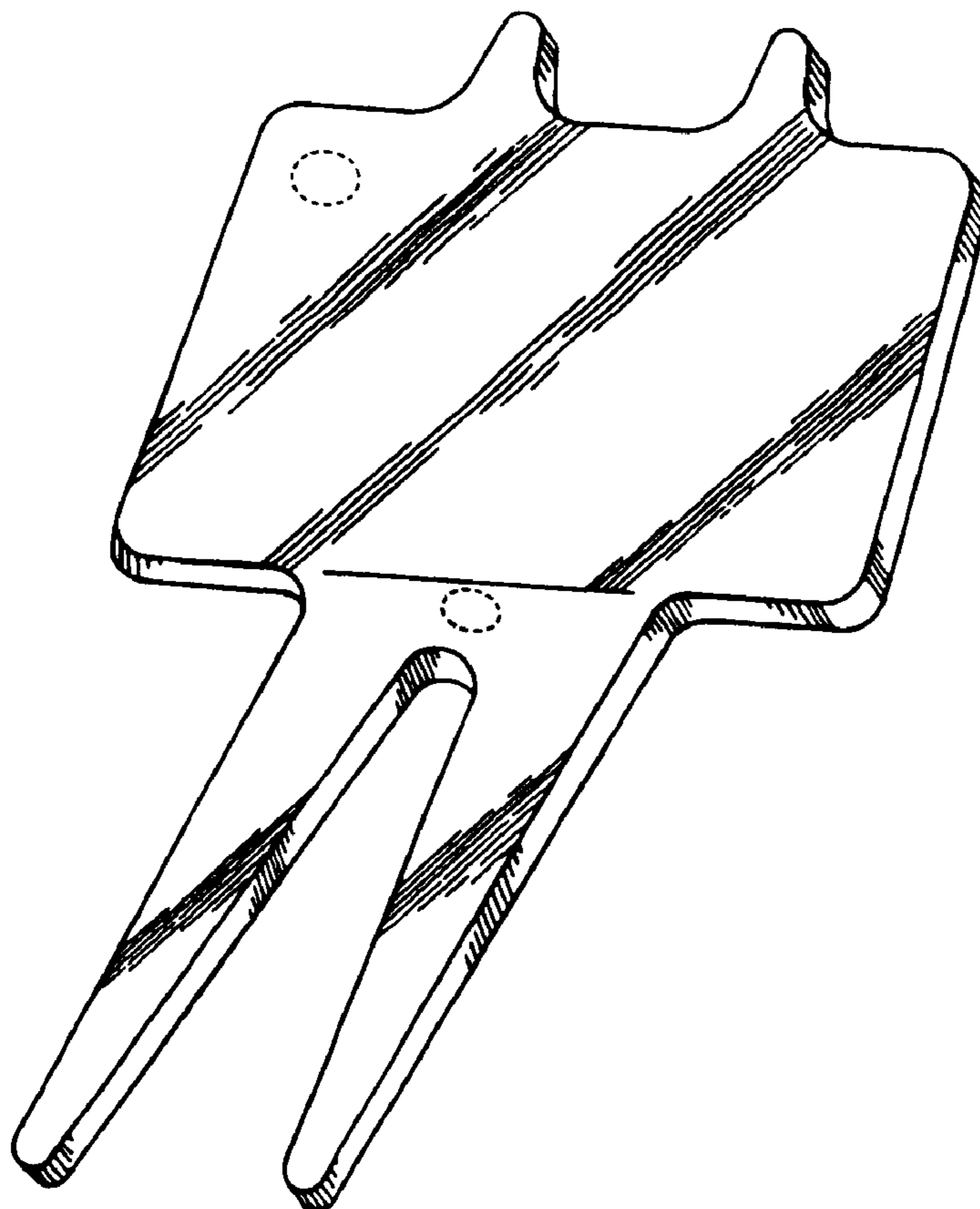
The broken lines showing environment in the drawing are for illustrative purposes only and form no part of the claimed design.

(56) **References Cited**

**U.S. PATENT DOCUMENTS**

D209,973 S	*	1/1968	Klitzner	.....	D21/793
D215,668 S	*	10/1969	Hedu	.....	D21/793
D225,756 S	*	1/1973	Stephens	.....	D21/793
D234,150 S	*	1/1975	Yauder	.....	D21/793
D243,868 S	*	3/1977	Williams, Jr.	.....	D21/793
D247,686 S	*	4/1978	Desjardins	.....	D21/793
D300,160 S	*	3/1989	Johnson	.....	D21/793
D307,619 S	*	5/1990	Koutroukides	.....	D21/793

**1 Claim, 1 Drawing Sheet**



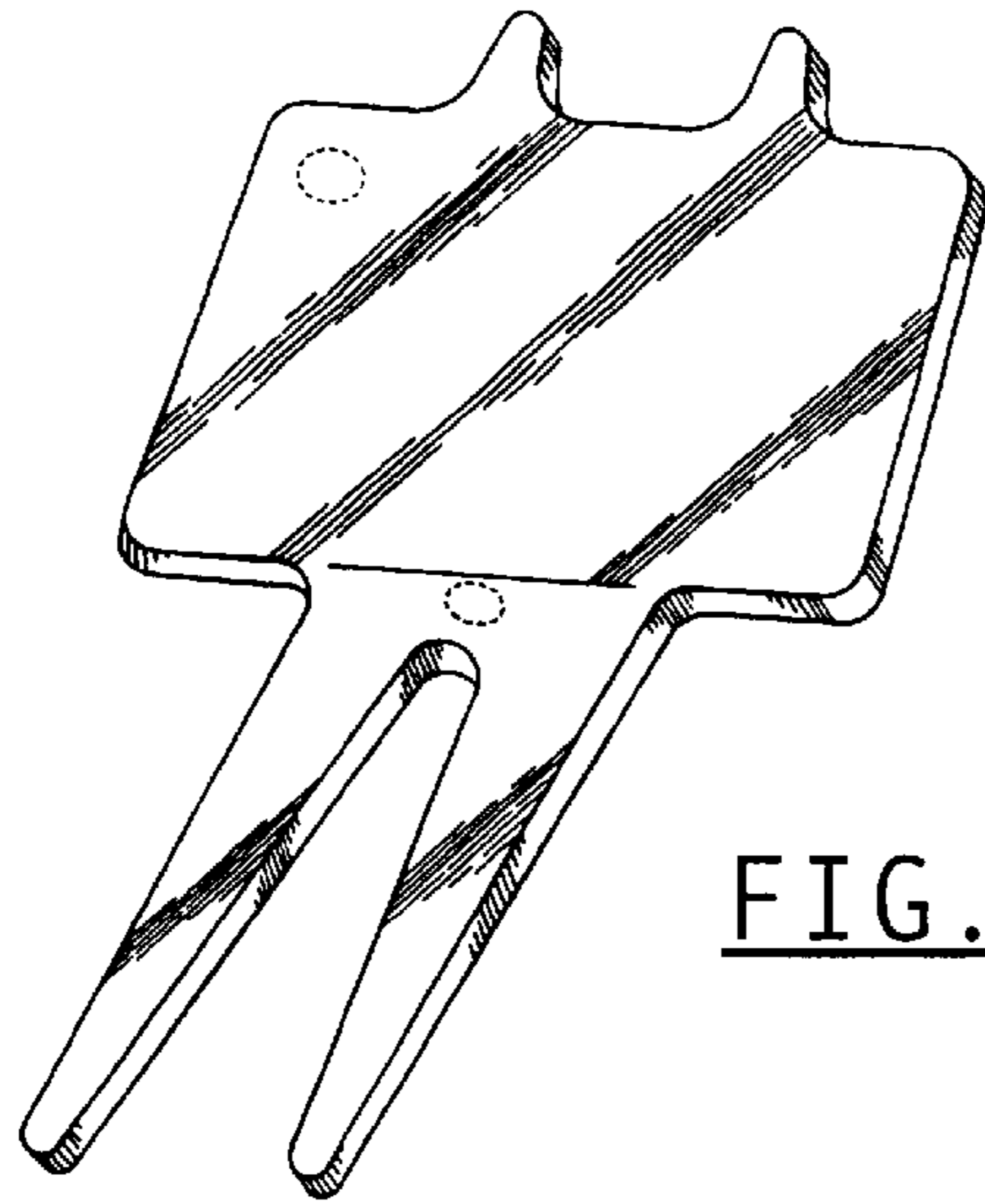


FIG. 1

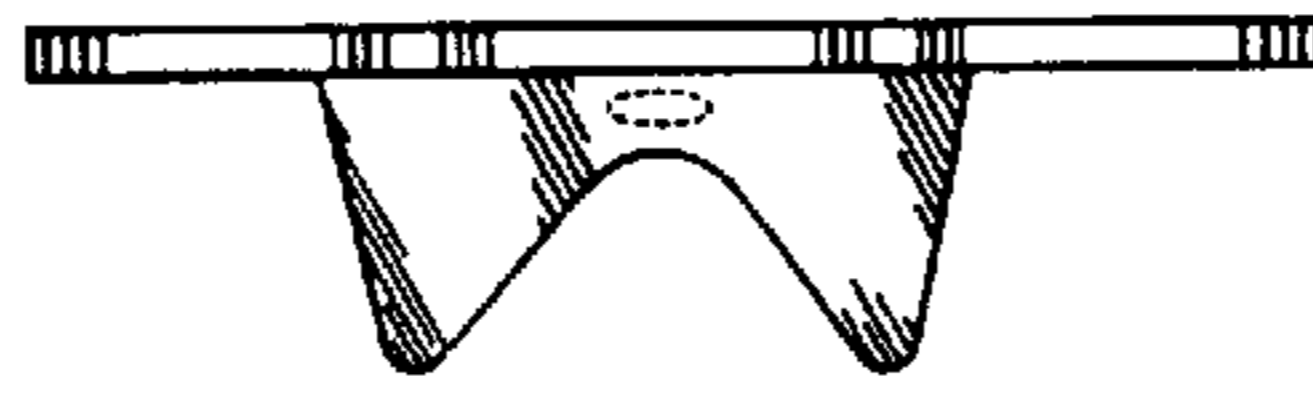


FIG. 2

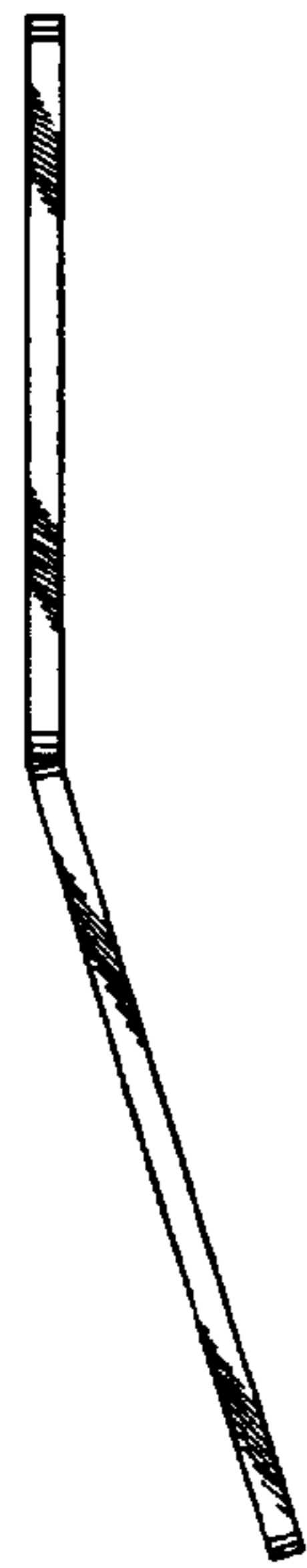


FIG. 3

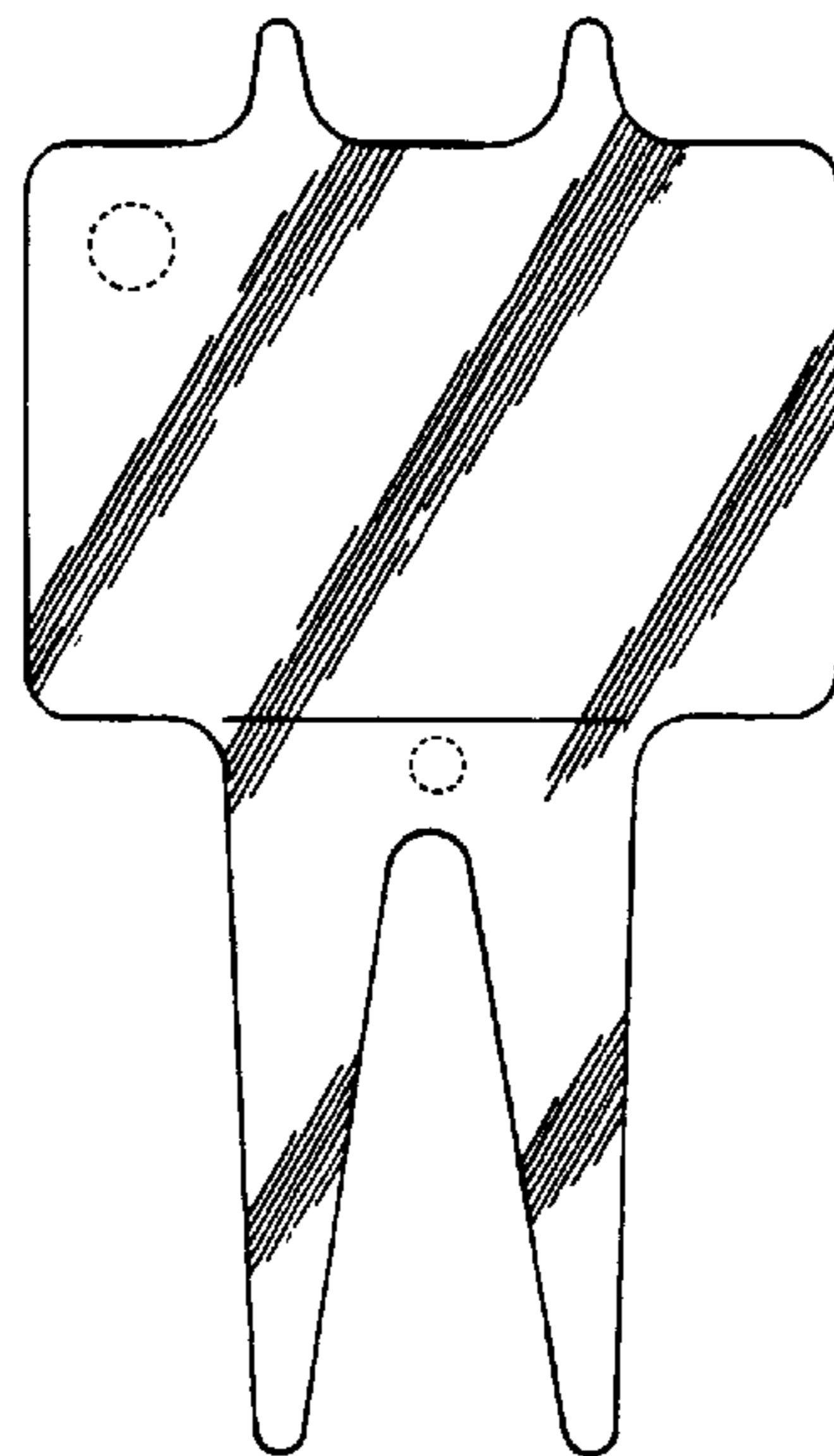


FIG. 4



FIG. 5