

US00D514645S

(12) **United States Design Patent**  
**Edwards et al.**

(10) **Patent No.: US D514,645 S**  
(45) **Date of Patent: \*\* Feb. 7, 2006**

(54) **GOLF PUTTING PRACTICE AID**  
(76) Inventors: **Stephen J. Edwards**, 4829 Frost  
Hollow Dr., Plano, TX (US) 75093;  
**Carlos G. Moreno, Jr.**, 1933 Cheyenne  
Dr., Carrollton, TX (US) 75010

5,586,945 A 12/1996 Vonderhaar  
5,707,300 A 1/1998 May et al.  
5,769,732 A 6/1998 O'Neal  
5,823,591 A \* 10/1998 Rubinstein ..... 294/19.2  
5,997,410 A 12/1999 Nothdurft  
6,572,486 B2 6/2003 Sweinhart  
6,729,968 B2 5/2004 Port et al.

(\*\*) Term: **14 Years**

\* cited by examiner

(21) Appl. No.: **29/209,485**

*Primary Examiner*—Mitchell Siegel

(22) Filed: **Jul. 16, 2004**

(74) *Attorney, Agent, or Firm*—Dennis T. Griggs

(51) **LOC (8) Cl.** ..... **21-02**

(52) **U.S. Cl.** ..... **D21/791**

(58) **Field of Classification Search** ..... D21/789,  
D21/791; 473/258, 273, 261, 296, 257, 267;  
294/19.2

(57) **CLAIM**

The ornamental design for a golf putting practice aid, as shown and described.

See application file for complete search history.

**DESCRIPTION**

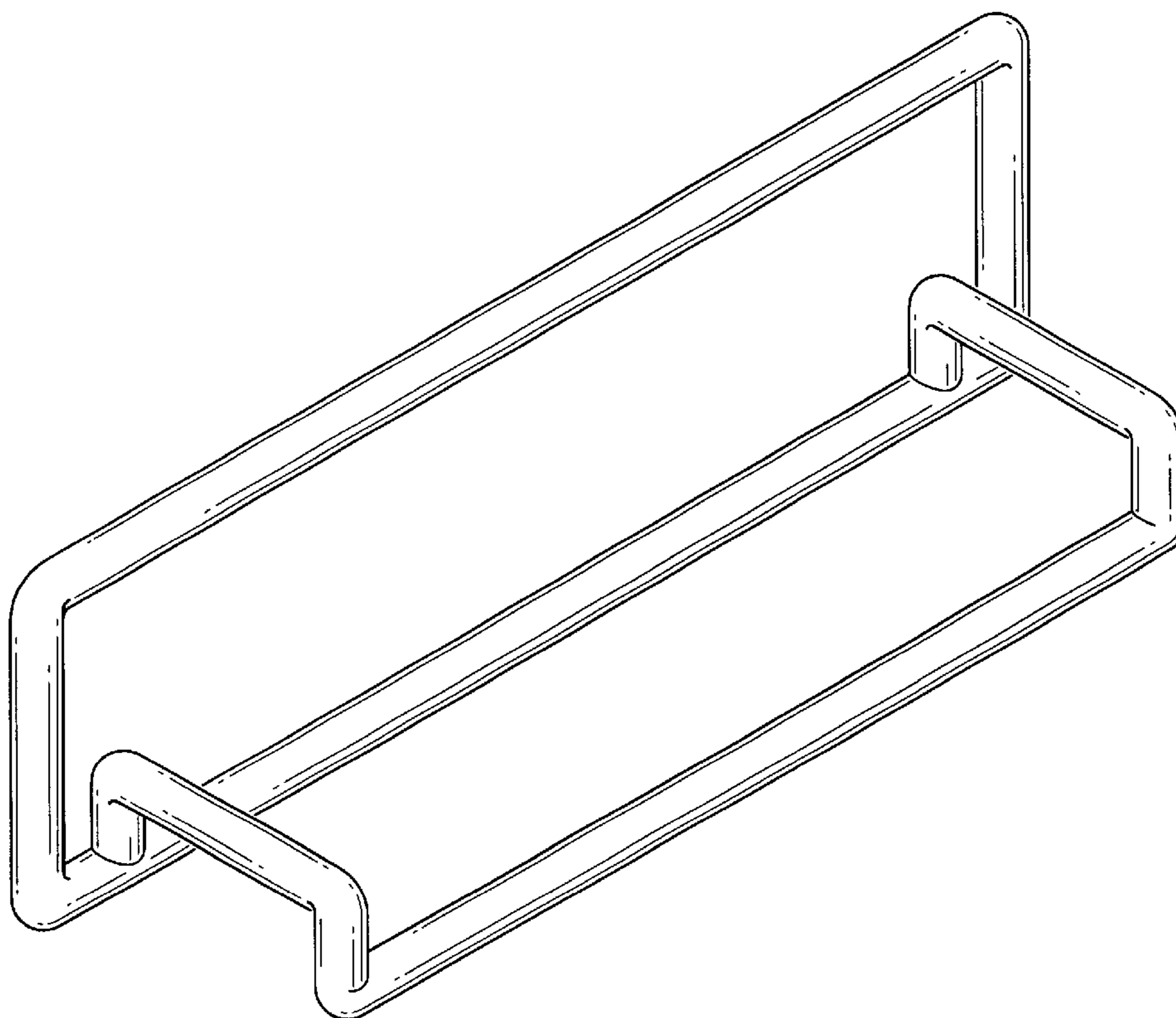
FIG. 1 is a front elevational view of a golf putting practice aid showing our new design;  
FIG. 2 is a rear elevational view thereof;  
FIG. 3 is a left side elevational view thereof;  
FIG. 4 is a right side elevational view thereof;  
FIG. 5 is a top plan view thereof;  
FIG. 6 is a bottom plan view thereof; and,  
FIG. 7 is a perspective view thereof.

(56) **References Cited**

**U.S. PATENT DOCUMENTS**

3,806,133 A 4/1974 Cork  
4,437,669 A 3/1984 Pelz  
4,900,030 A 2/1990 Houtz  
4,928,975 A 5/1990 Skelley et al.  
5,209,484 A 5/1993 Randall

**1 Claim, 2 Drawing Sheets**



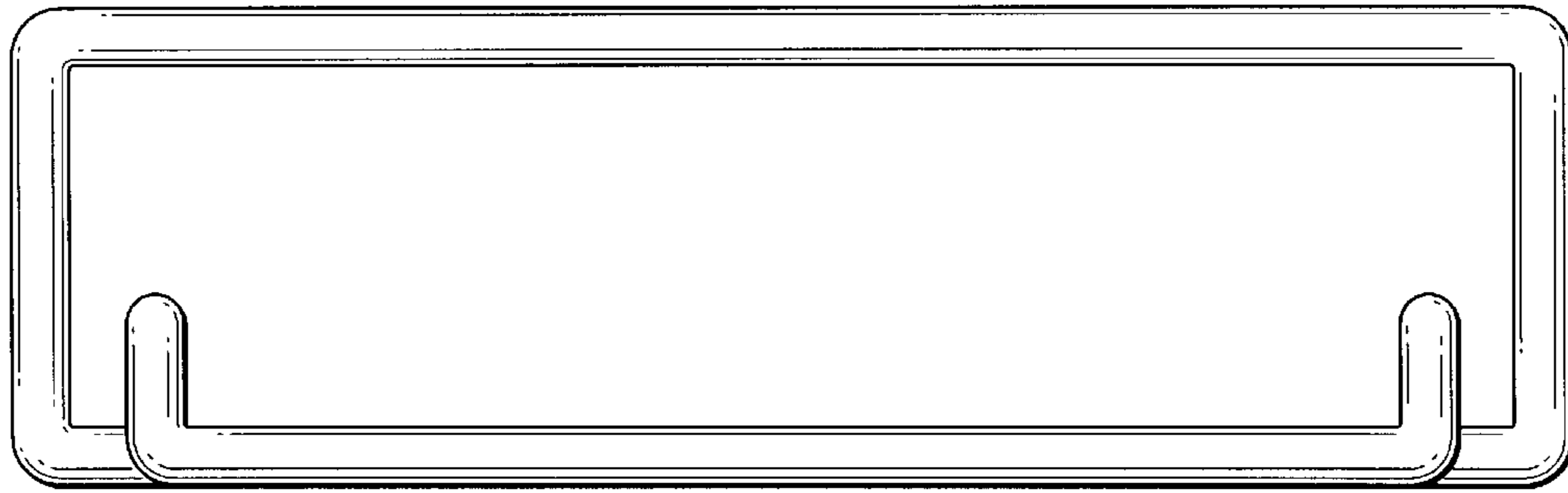


FIG. 1

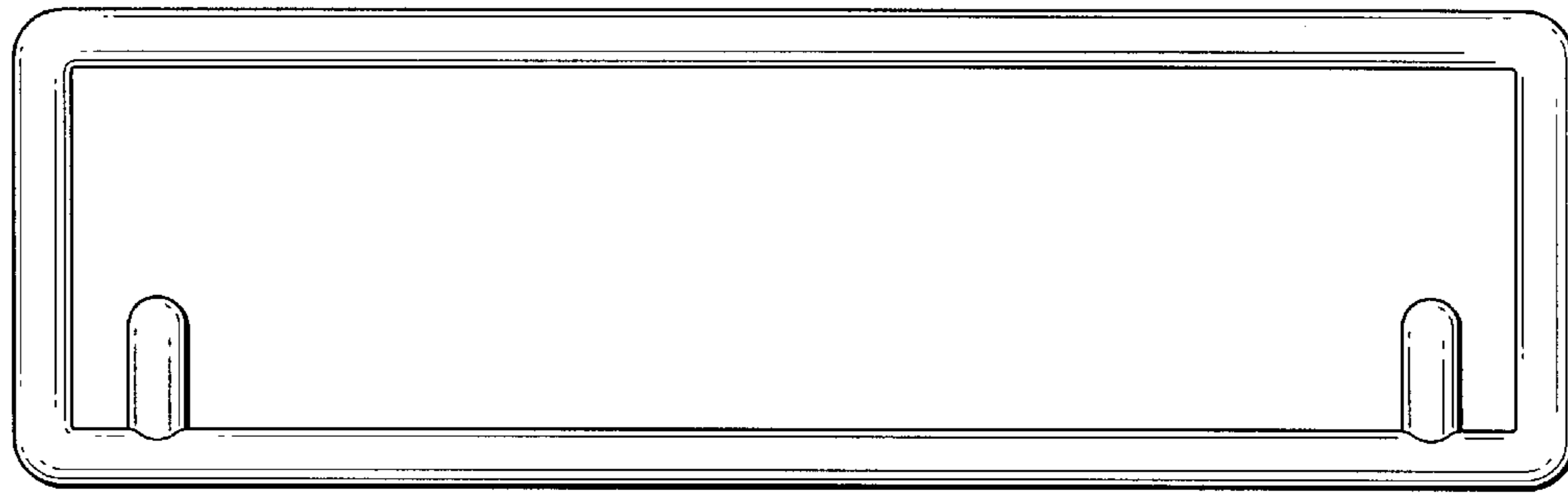


FIG. 2

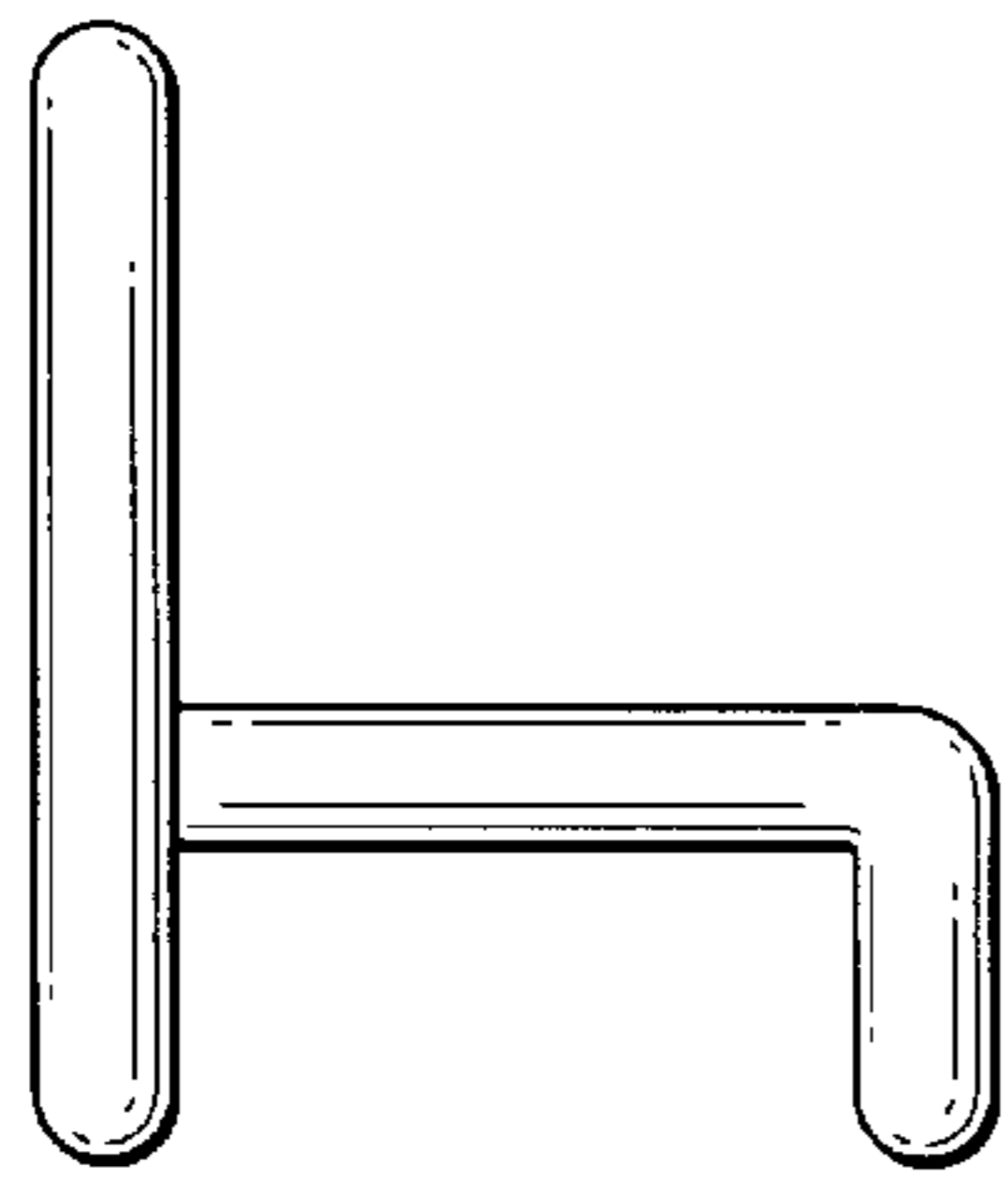


FIG. 3

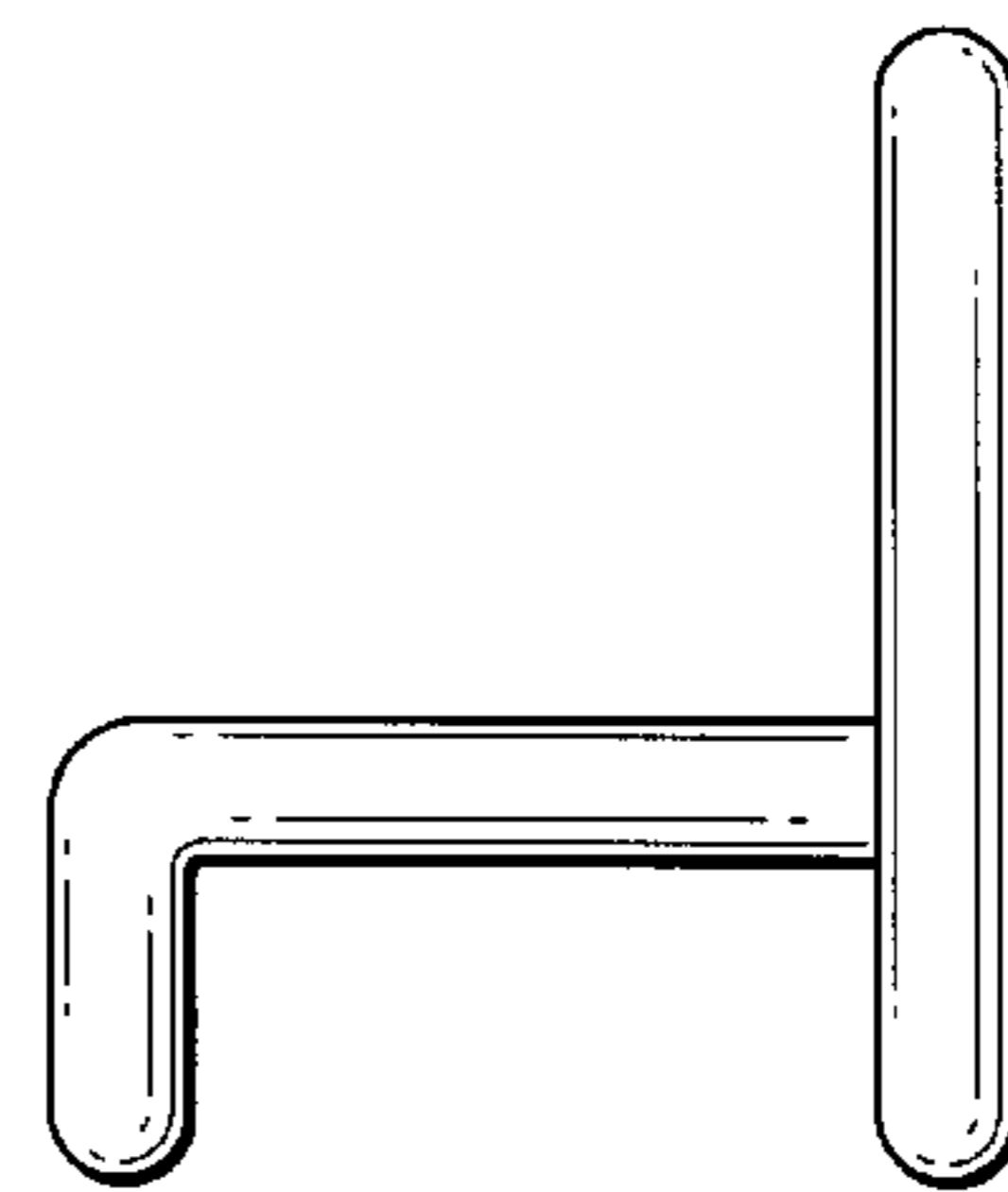


FIG. 4

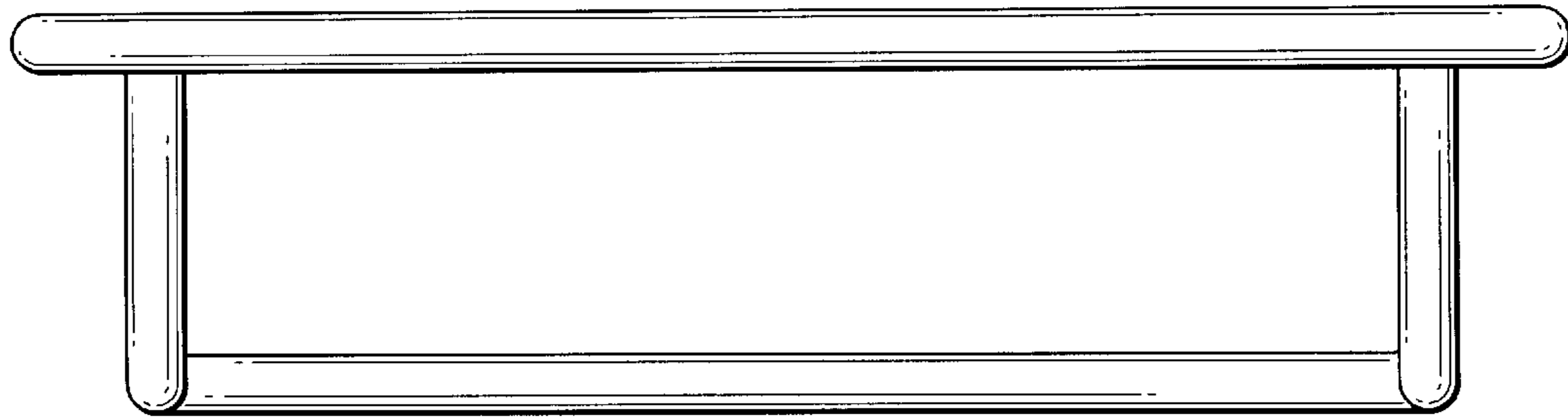


FIG. 5

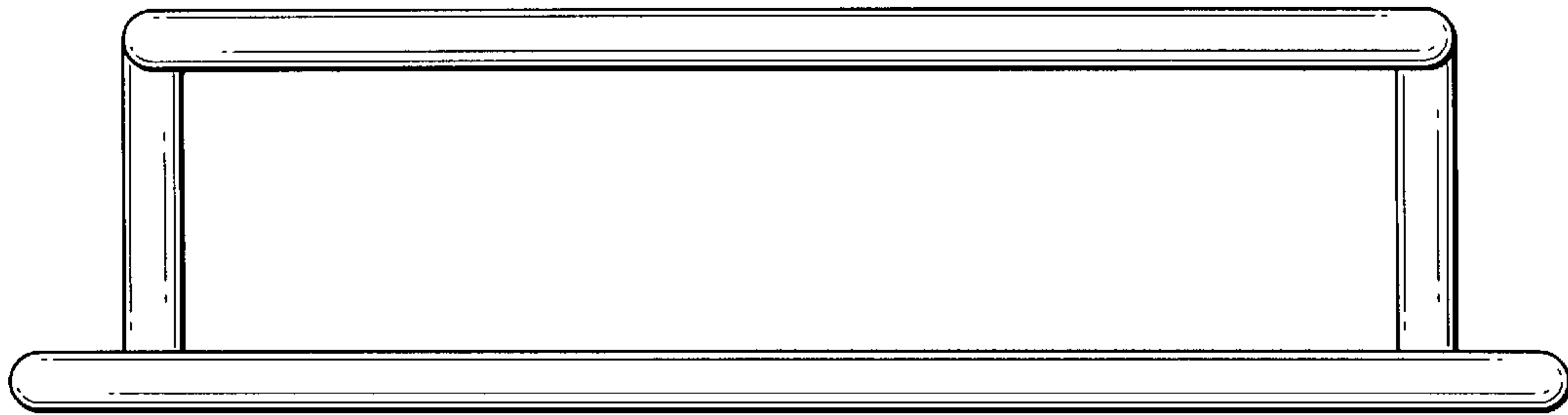


FIG. 6

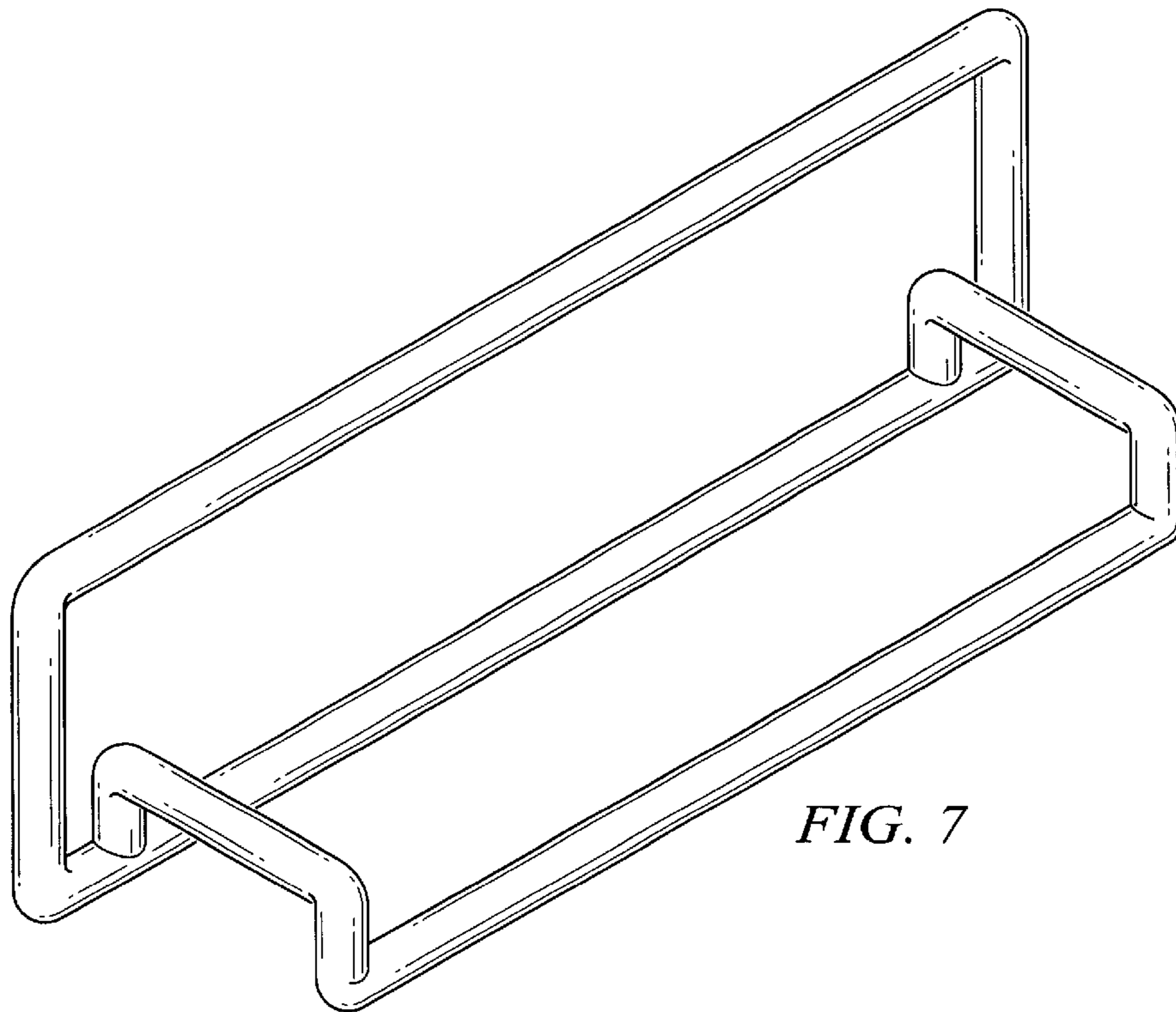


FIG. 7