

US00D514638S

(12) **United States Design Patent**  
**deGrasse**

(10) **Patent No.:** **US D514,638 S**

(45) **Date of Patent:** **\*\* Feb. 7, 2006**

(54) **AUTO-RETURN BATTING TEE**

(75) **Inventor:** **Scott deGrasse, Marshfield, MA (US)**

(73) **Assignee:** **Franklin Sports, Inc., Stoughton, MA (US)**

(\*\*) **Term:** **14 Years**

(21) **Appl. No.:** **29/228,083**

(22) **Filed:** **Apr. 19, 2005**

(51) **LOC (8) Cl. .... 21-02**

(52) **U.S. Cl. .... D21/717**

(58) **Field of Classification Search** ..... D21/698,  
D21/715, 717, 719, 780; 473/415-495  
See application file for complete search history.

(56) **References Cited**

**U.S. PATENT DOCUMENTS**

2,884,250 A	*	4/1959	Patterson	.....	473/423
3,039,770 A	*	6/1962	Ferretti	.....	473/454
3,183,000 A	*	5/1965	Dix	.....	473/417
3,883,138 A	*	5/1975	Chorey	.....	473/417
D321,545 S	*	11/1991	Myers	.....	D21/715

5,322,276 A	*	6/1994	Hardison, Jr.	.....	473/417
5,685,788 A	*	11/1997	Shy et al.	.....	473/423
6,461,255 B1	*	10/2002	Smith	.....	473/417

\* cited by examiner

*Primary Examiner*—Catherine Tuttle

(74) *Attorney, Agent, or Firm*—Joseph B Bowman

(57) **CLAIM**

The ornamental design for an auto-return batting tee, as shown and described.

**DESCRIPTION**

FIG. 1 is a perspective view of an auto-return batting tee showing my new design;  
FIG. 2 is a left side elevation view thereof;  
FIG. 3 is a right side elevation view thereof;  
FIG. 4 is a front elevation view thereof;  
FIG. 5 is a rear elevational view thereof;  
FIG. 6 is a top plan view thereof; and,  
FIG. 7 is a bottom plan view thereof.  
The broken line showing of the ball is for illustrative purposes only and forms no part of the claimed design.

**1 Claim, 7 Drawing Sheets**



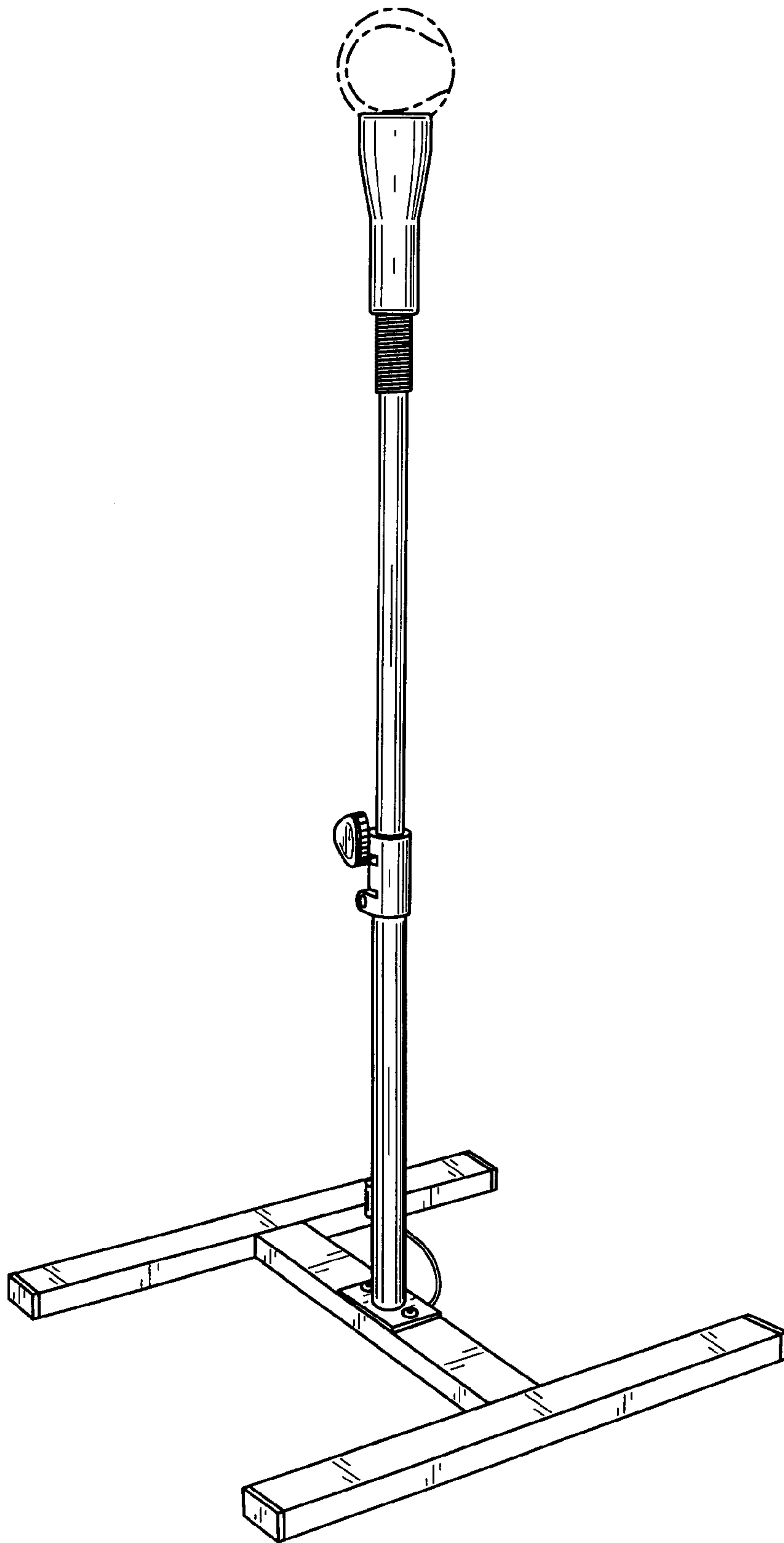


FIG. 1

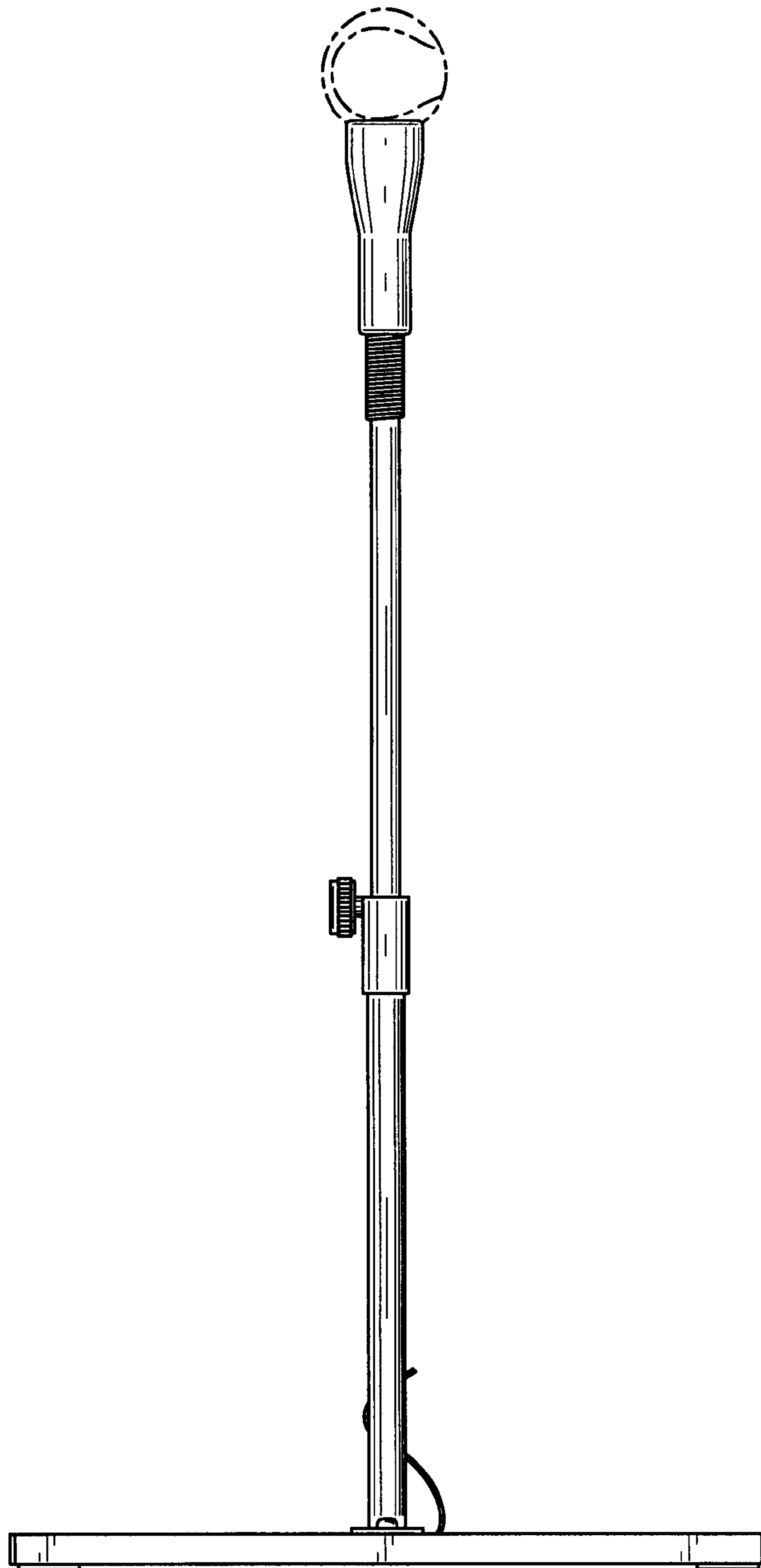


FIG. 2

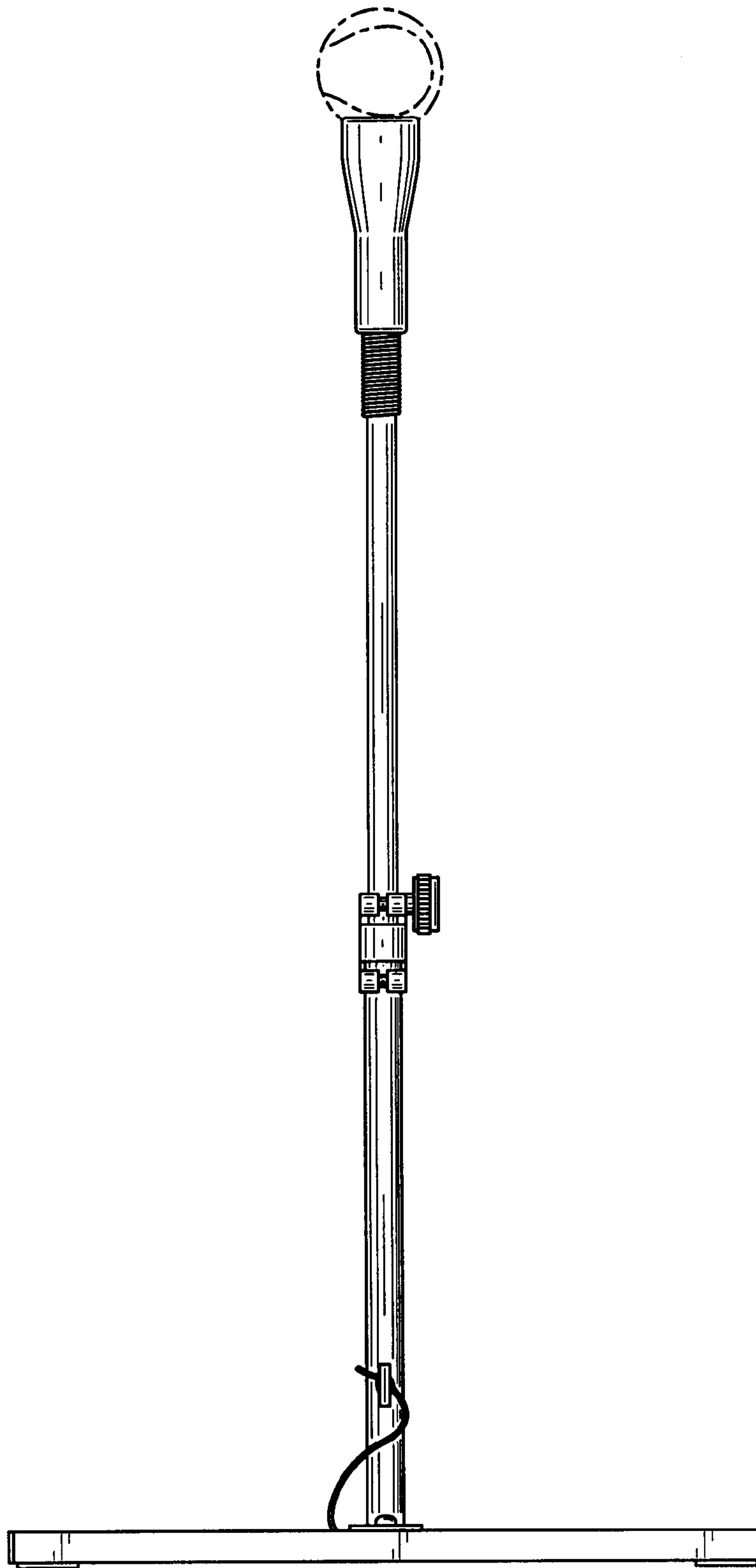


FIG. 3

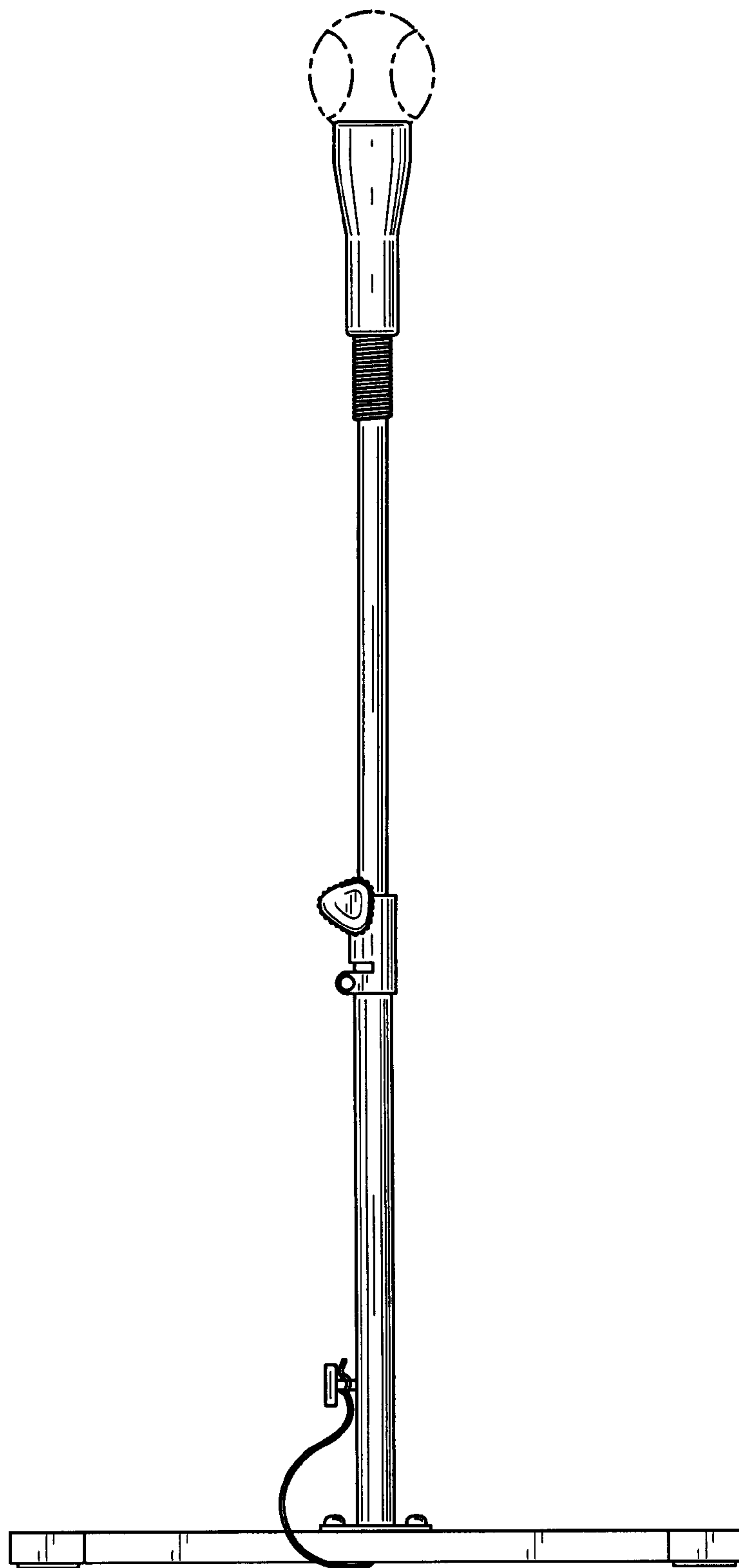


FIG. 4

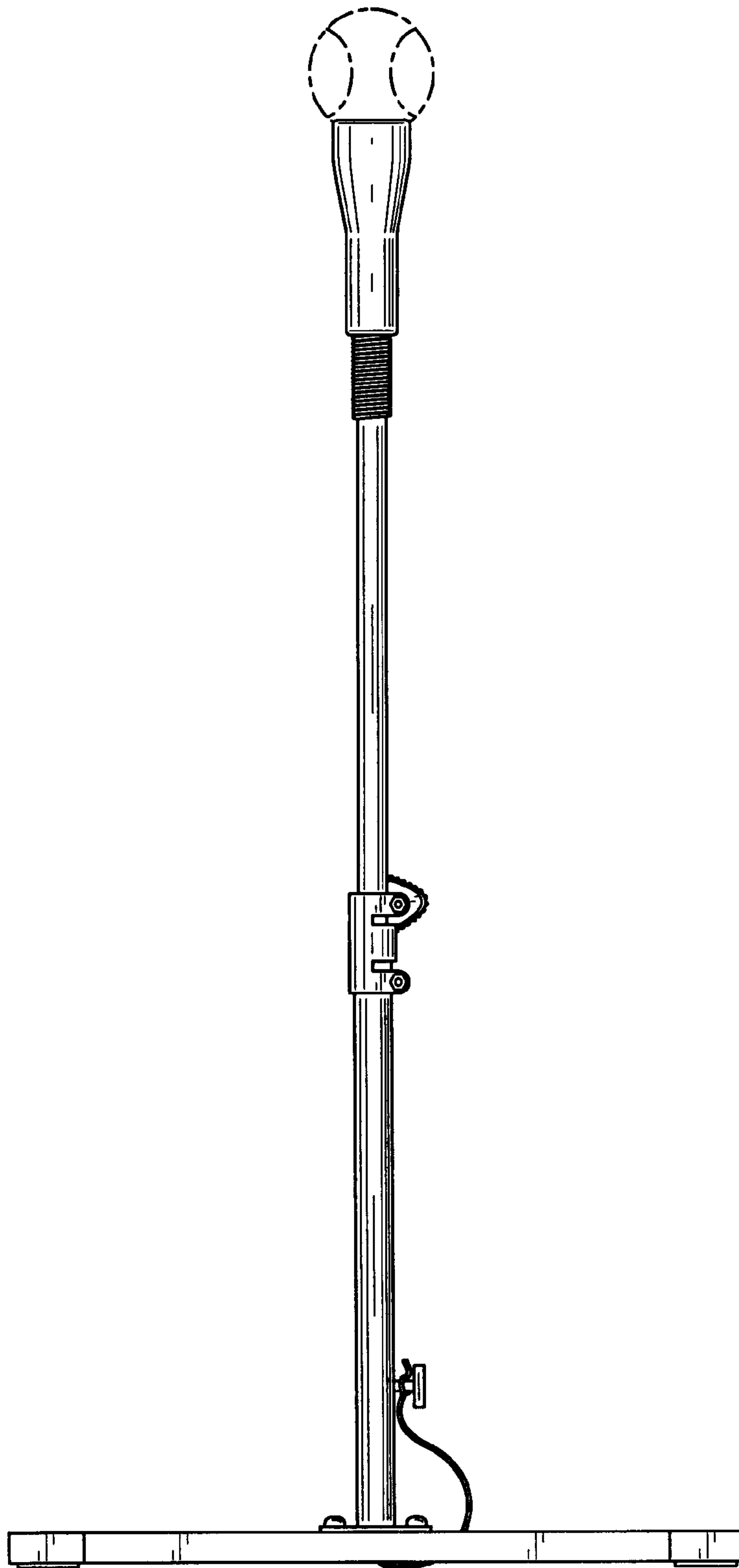


FIG. 5

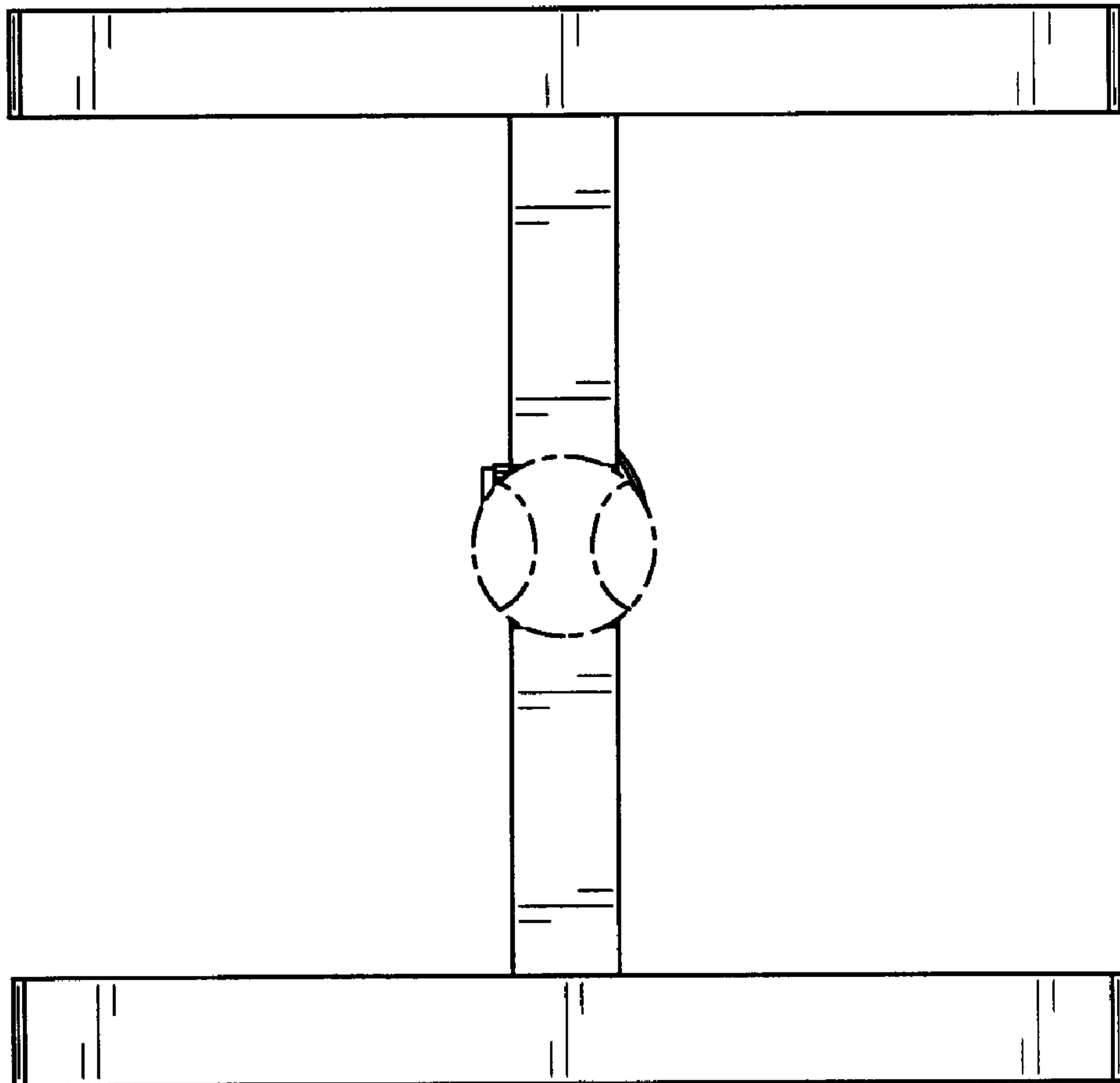


FIG. 6

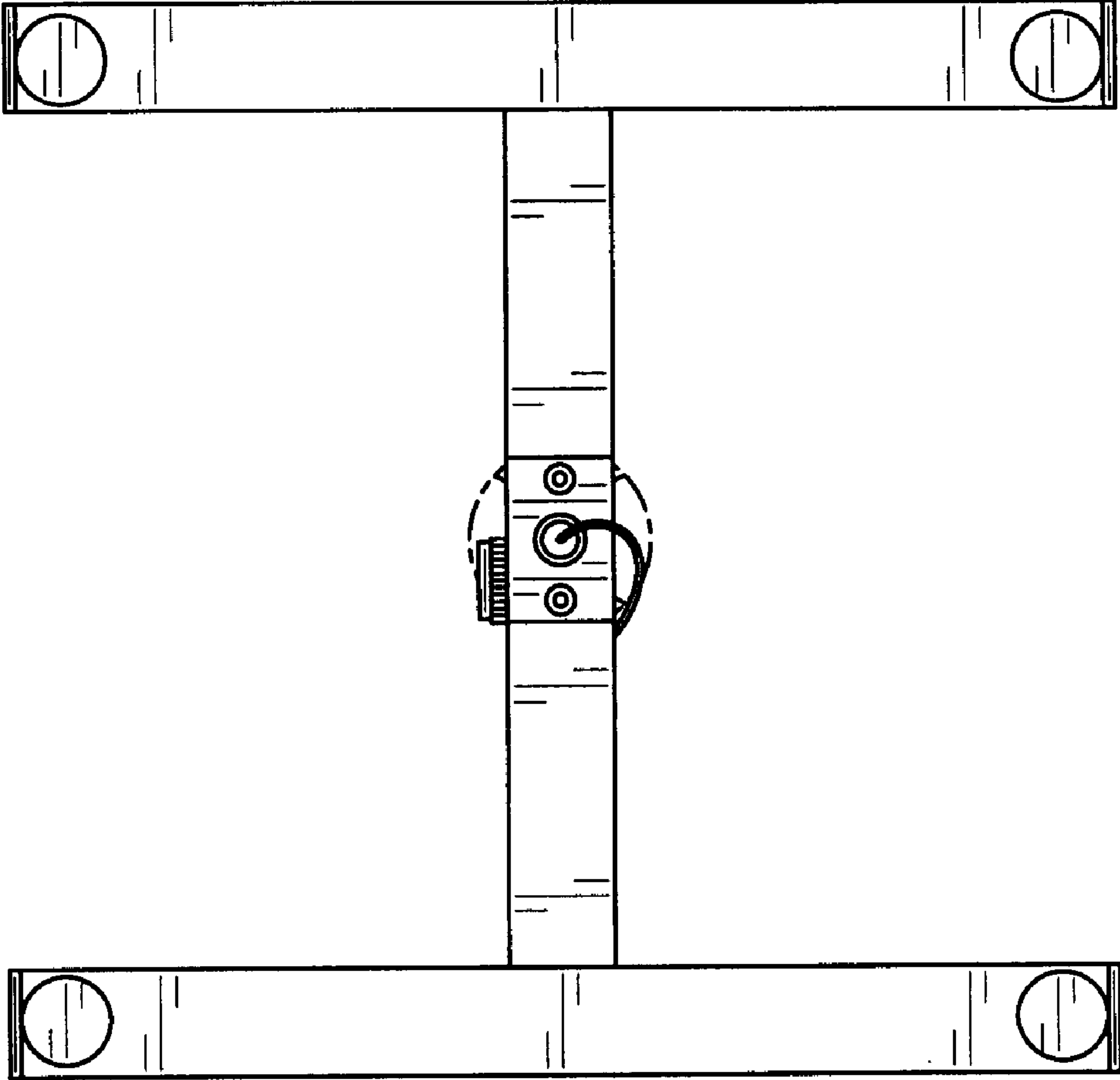


FIG. 7