



US00D514636S

(12) **United States Design Patent**
Giannelli et al.

(10) **Patent No.: US D514,636 S**
(45) **Date of Patent: ** Feb. 7, 2006**

(54) **EXERCISE DEVICE FOR CROSS TRAINING**

(75) Inventors: **Raymond Giannelli**, Franklin, MA (US); **Scott Lee**, Pomfret, CT (US)

(73) Assignee: **Cybox International, Inc.**, Medway, MA (US)

(**) Term: **14 Years**

(21) Appl. No.: **29/201,656**

(22) Filed: **Mar. 18, 2004**

Related U.S. Application Data

(63) Continuation-in-part of application No. 10/294,017, filed on Nov. 13, 2002, and a continuation-in-part of application No. 29/164,348, filed on Jul. 23, 2002, now Pat. No. Des. 489,101.

(51) **LOC (8) Cl. 21-02**

(52) **U.S. Cl. D21/694; D21/668**

(58) **Field of Classification Search D21/662, D21/663, 668, 669, 670, 694, 685; 482/51, 482/52, 54, 70, 72, 139, 146, 79**
See application file for complete search history.

(56) **References Cited**

U.S. PATENT DOCUMENTS

D390,628 S * 2/1998 Husted D21/668
D393,027 S * 3/1998 Chen D21/670

D393,296 S * 4/1998 Lee D21/668
5,792,027 A * 8/1998 Gvoich 482/51
D403,033 S * 12/1998 Husted et al. D21/668
5,971,892 A * 10/1999 Lee 482/52
6,004,244 A * 12/1999 Simonson 482/52
6,007,462 A * 12/1999 Chen 482/57
D478,365 S * 8/2003 Giannelli et al. D21/668
D489,101 S * 4/2004 Giannelli et al. D21/668
D493,201 S * 7/2004 Giannelli et al. D21/668
6,835,166 B1 * 12/2004 Stearns et al. 482/52
2003/0092532 A1 * 5/2003 Giannelli et al. 482/51

* cited by examiner

Primary Examiner—Philip S. Hyder

(74) *Attorney, Agent, or Firm*—M. Lawrence Oliverio; Kudirka & Jobse, LLP

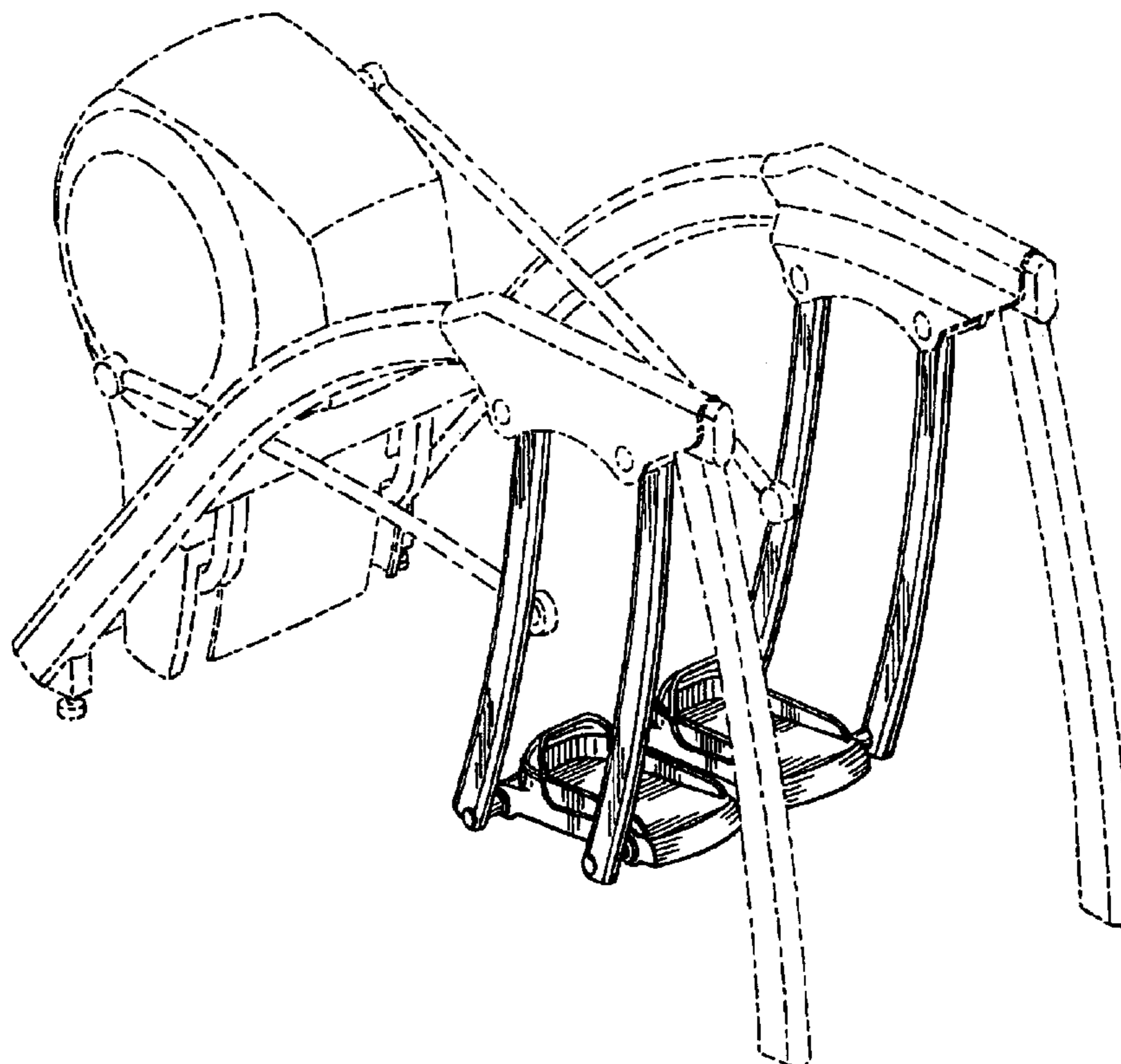
(57) **CLAIM**

We claim the ornamental design for the exercise device for cross training, as shown.

DESCRIPTION

FIG. 1 is a top, front left side perspective view.
FIG. 2 is a front elevational view.
FIG. 3 is a right side elevational view, the left side elevational view being a mirror image thereof.
FIG. 4 is a rear elevational view; and,
FIG. 5 is a top plan view.
The broken line portions of the disclosure are for illustrative purposes only and form no part of the claimed design.

1 Claim, 2 Drawing Sheets



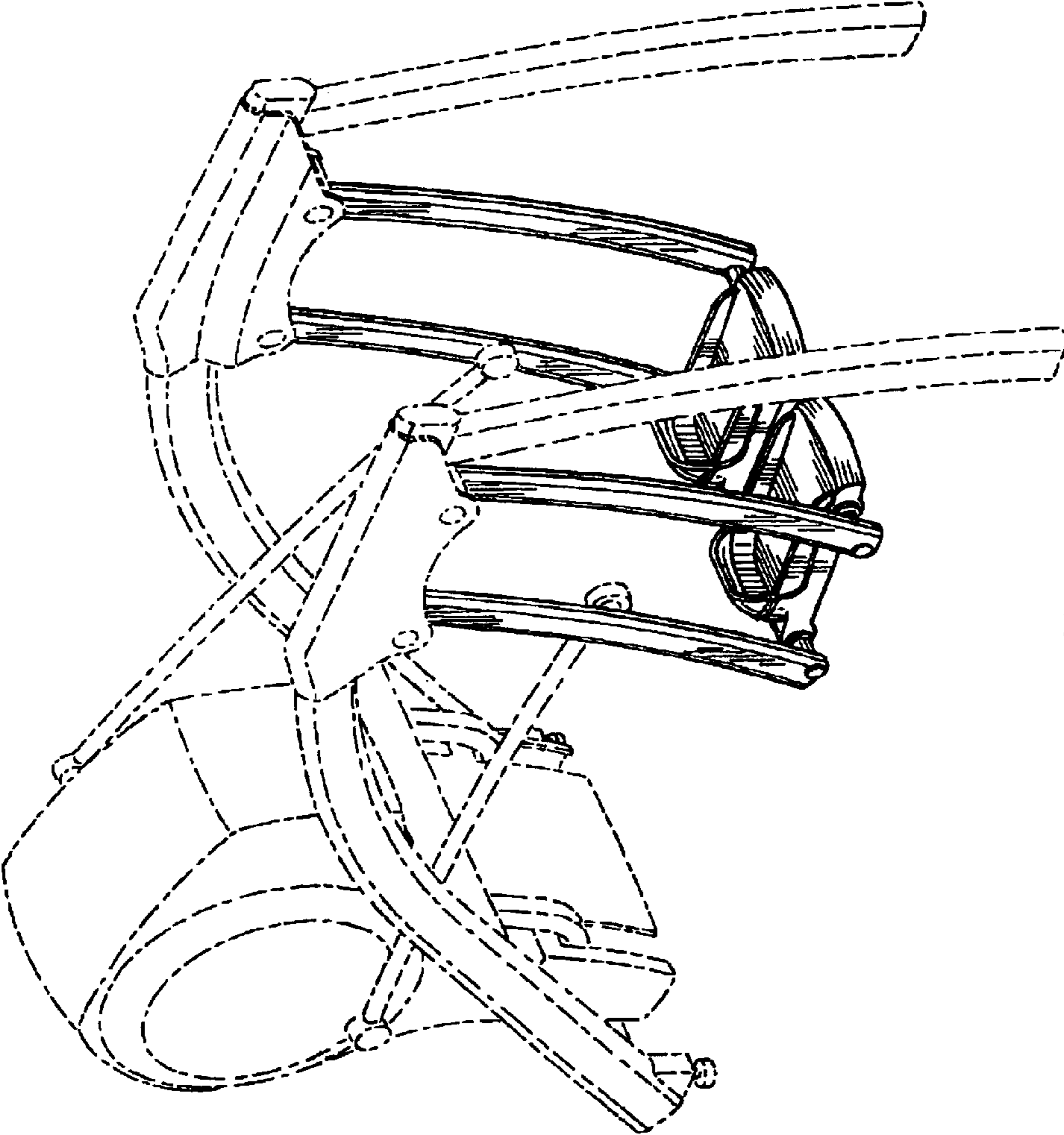


Fig. 1

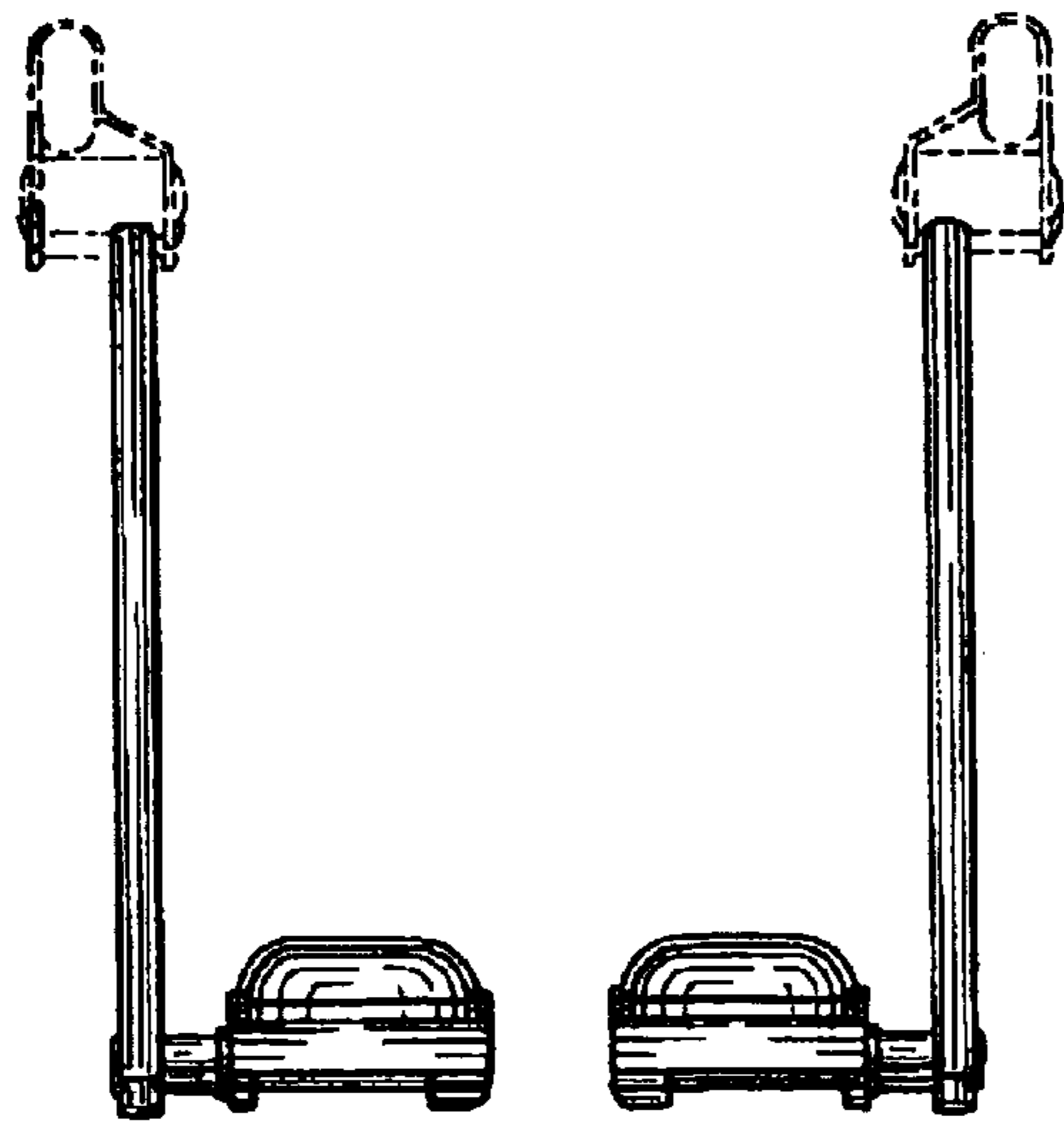


Fig. 2

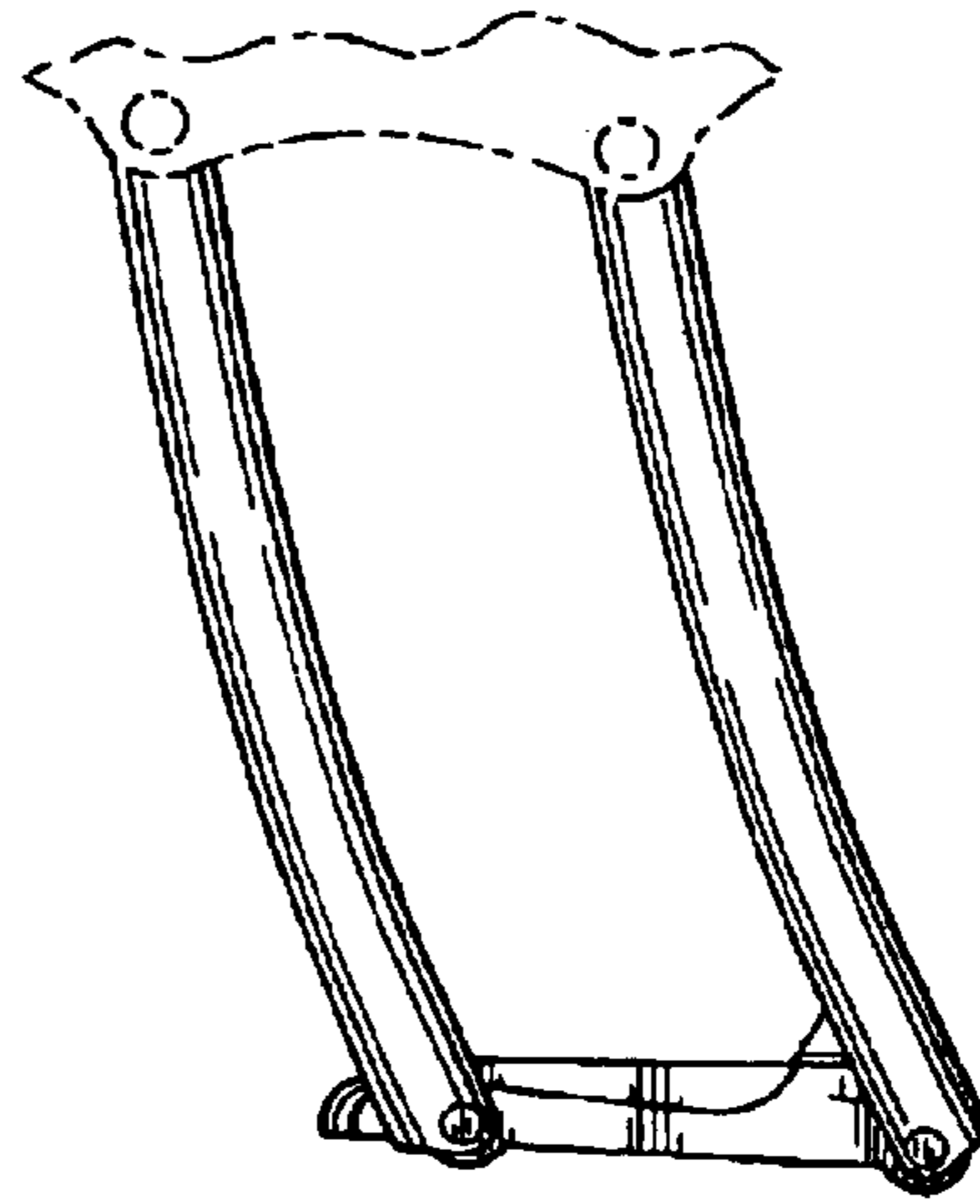


Fig. 3

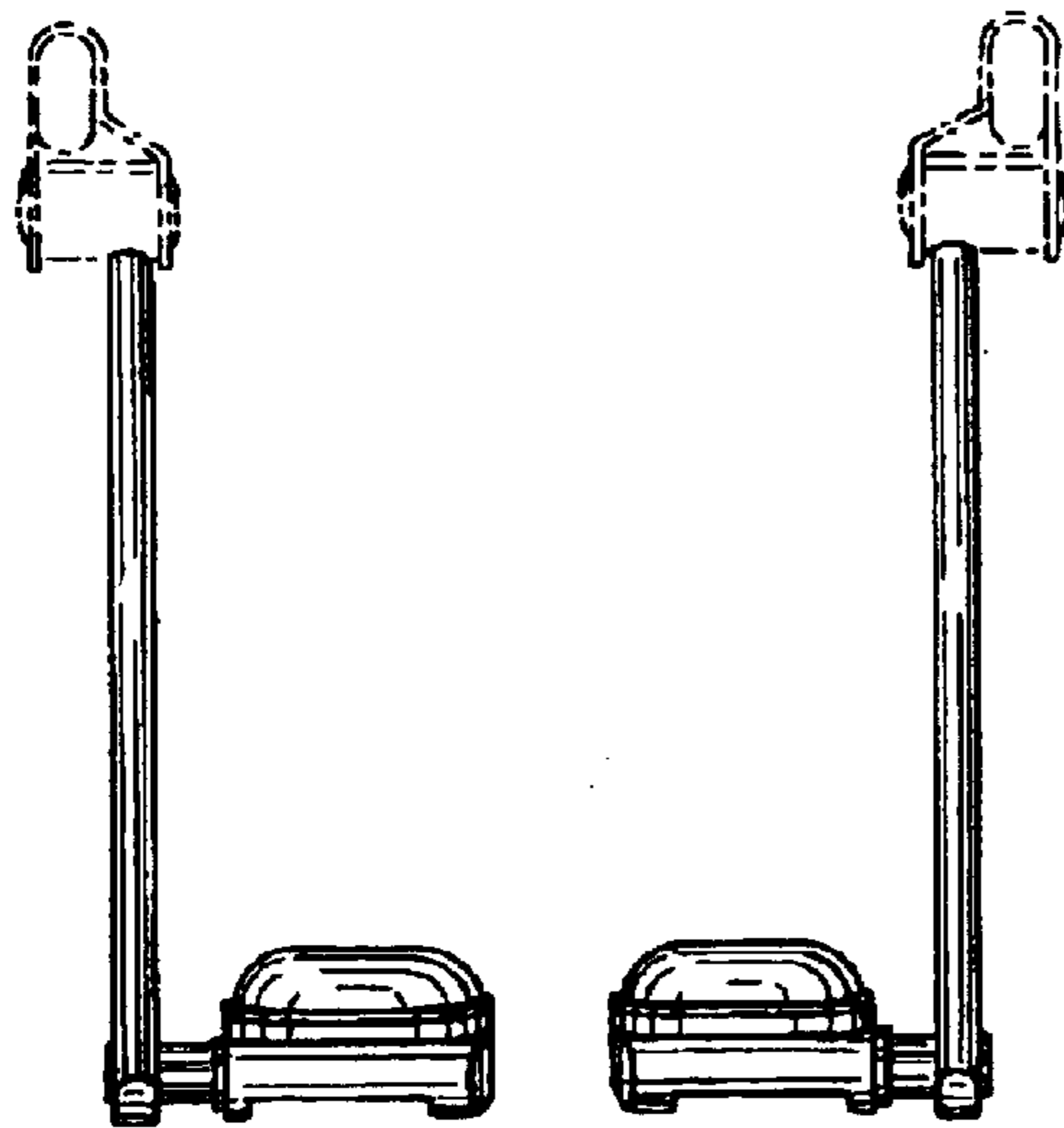


Fig. 4

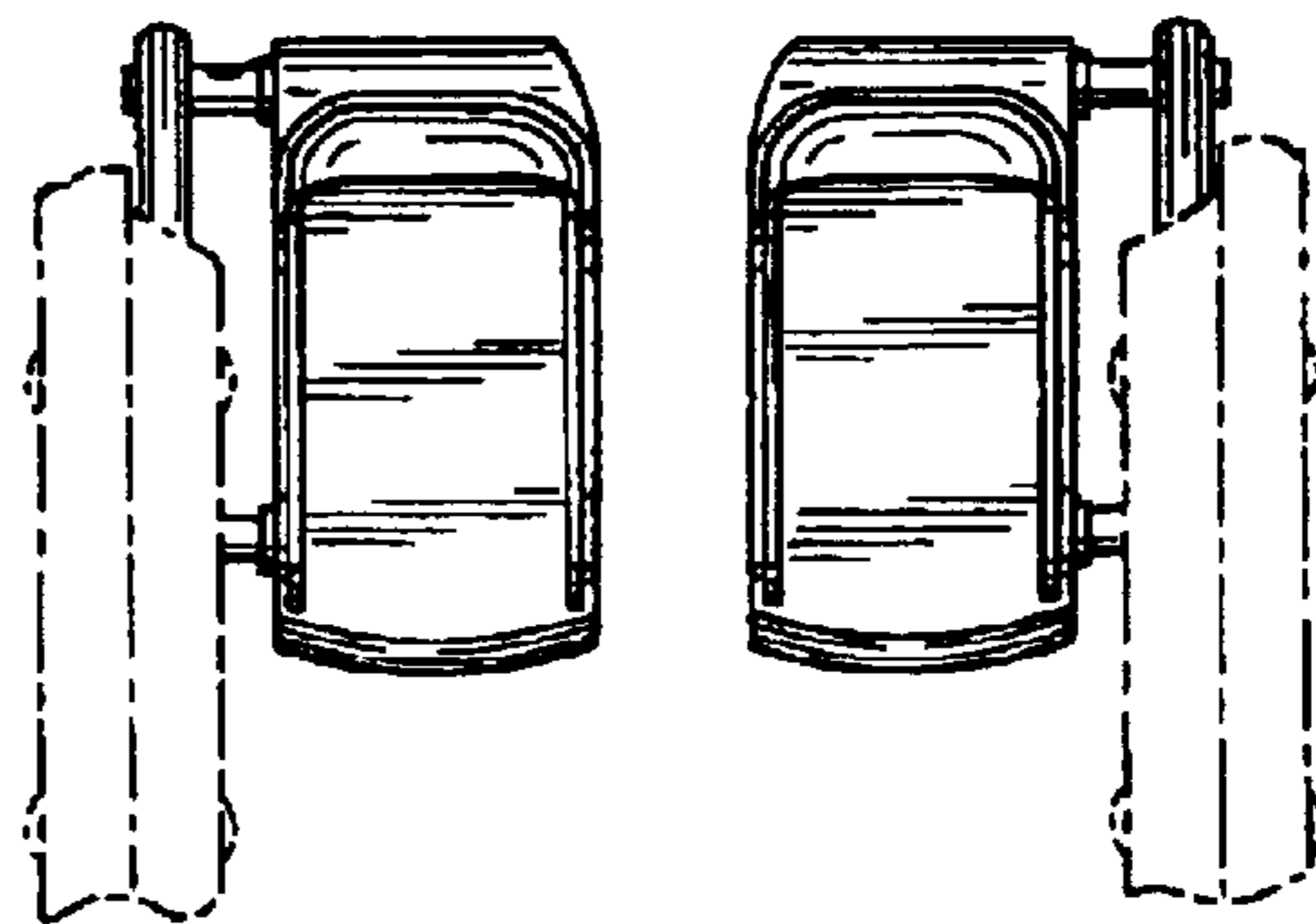


Fig. 5