



US00D514635S

(12) **United States Design Patent**  
**Hsiao**

(10) **Patent No.:** **US D514,635 S**

(45) **Date of Patent:** **\*\* Feb. 7, 2006**

- (54) **STEPPING EXERCISE MACHINE**
- (76) **Inventor:** **Ya-Chu Hsiao**, 7<sup>th</sup> Fl., 26, Yuan Chi Road, Sec. 2, She Tow Hsiang, Changhua Hsien (TW)
- (\*\*) **Term:** **14 Years**
- (21) **Appl. No.:** **29/203,334**
- (22) **Filed:** **Apr. 13, 2004**
- (51) **LOC (8) Cl.** ..... **21-02**
- (52) **U.S. Cl.** ..... **D21/670**
- (58) **Field of Classification Search** ..... D21/662, D21/663, 668, 669, 670; 482/51, 52, 53, 482/54, 57, 70, 79  
See application file for complete search history.

- D466,567 S \* 12/2002 Chen et al. .... D21/670
- D481,085 S \* 10/2003 Ben-Moshe .... D21/670
- D496,700 S \* 9/2004 Chen .... D21/670
- 2002/0147075 A1 \* 10/2002 Tu .... 482/52

\* cited by examiner

*Primary Examiner*—Philip S. Hyder  
(74) *Attorney, Agent, or Firm*—Alan D. Kamrath; Nikolai & Mersereau, P.A.

(57) **CLAIM**

The ornamental design for a stepping exercise machine, as shown and described.

**DESCRIPTION**

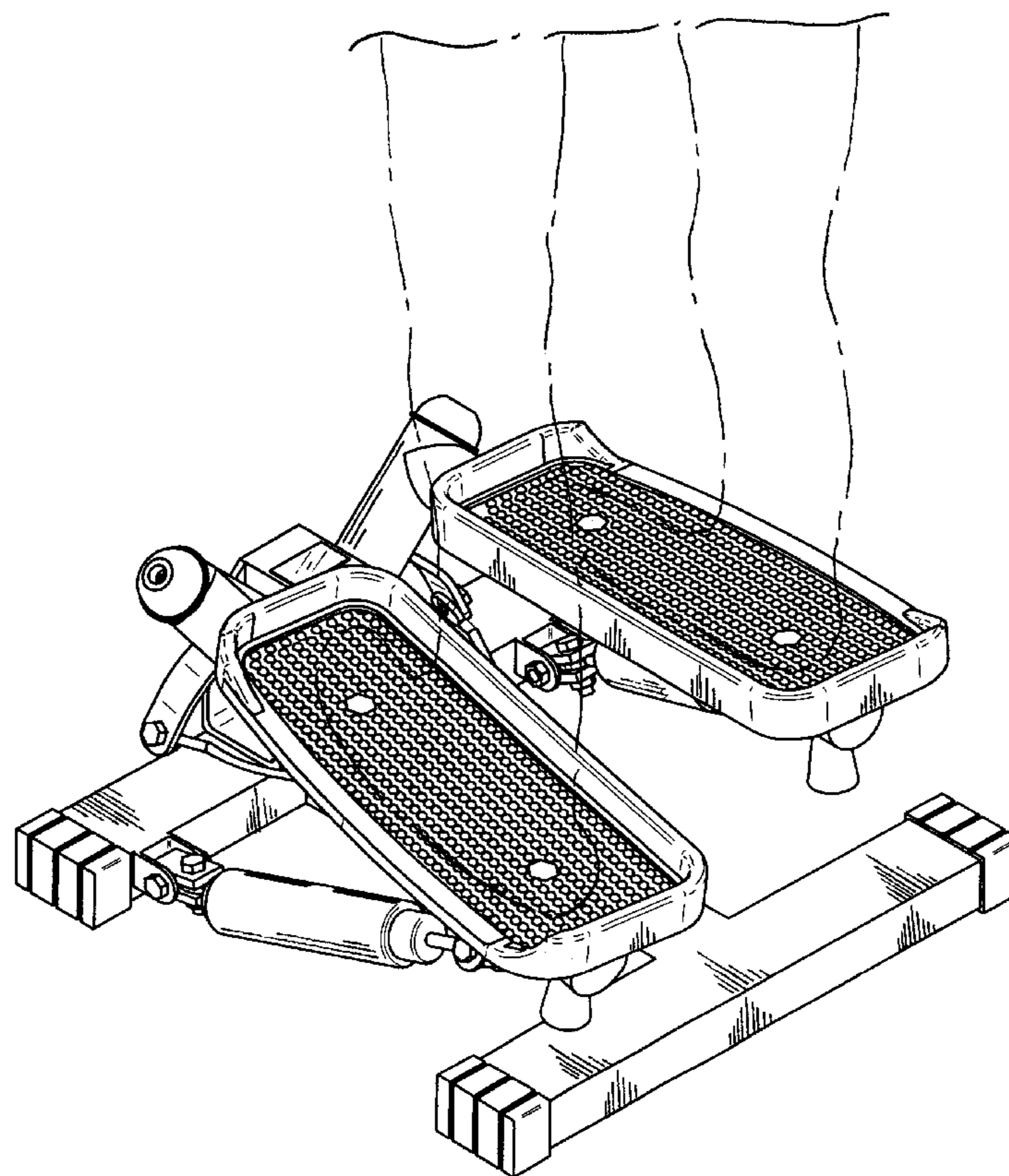
FIG. 1 is a perspective view of a stepping exercise showing our new design;  
FIG. 2 is a front elevational view thereof;  
FIG. 3 is a rear elevational view thereof;  
FIG. 4 is a left side elevational view thereof;  
FIG. 5 is a right side elevational view thereof;  
FIG. 6 is a top plan view thereof;  
FIG. 7 is a bottom plan view thereof; and,  
FIG. 8 is a perspective view thereof, wherein the broken line showing of a user's legs is for illustrative purposes only and forms no part of the claimed design.

(56) **References Cited**

**U.S. PATENT DOCUMENTS**

- 5,199,934 A \* 4/1993 Lin ..... 482/79
- 5,230,674 A \* 7/1993 Terauds ..... 482/52
- D348,708 S \* 7/1994 Chen ..... D21/670
- D349,542 S \* 8/1994 Russell ..... D21/670
- 5,348,520 A \* 9/1994 Chang ..... 482/52
- D456,052 S \* 4/2002 Steves ..... D21/670
- D461,211 S \* 8/2002 Kuo ..... D21/670
- D465,001 S \* 10/2002 Chiang-Chow ..... D21/670

**1 Claim, 8 Drawing Sheets**



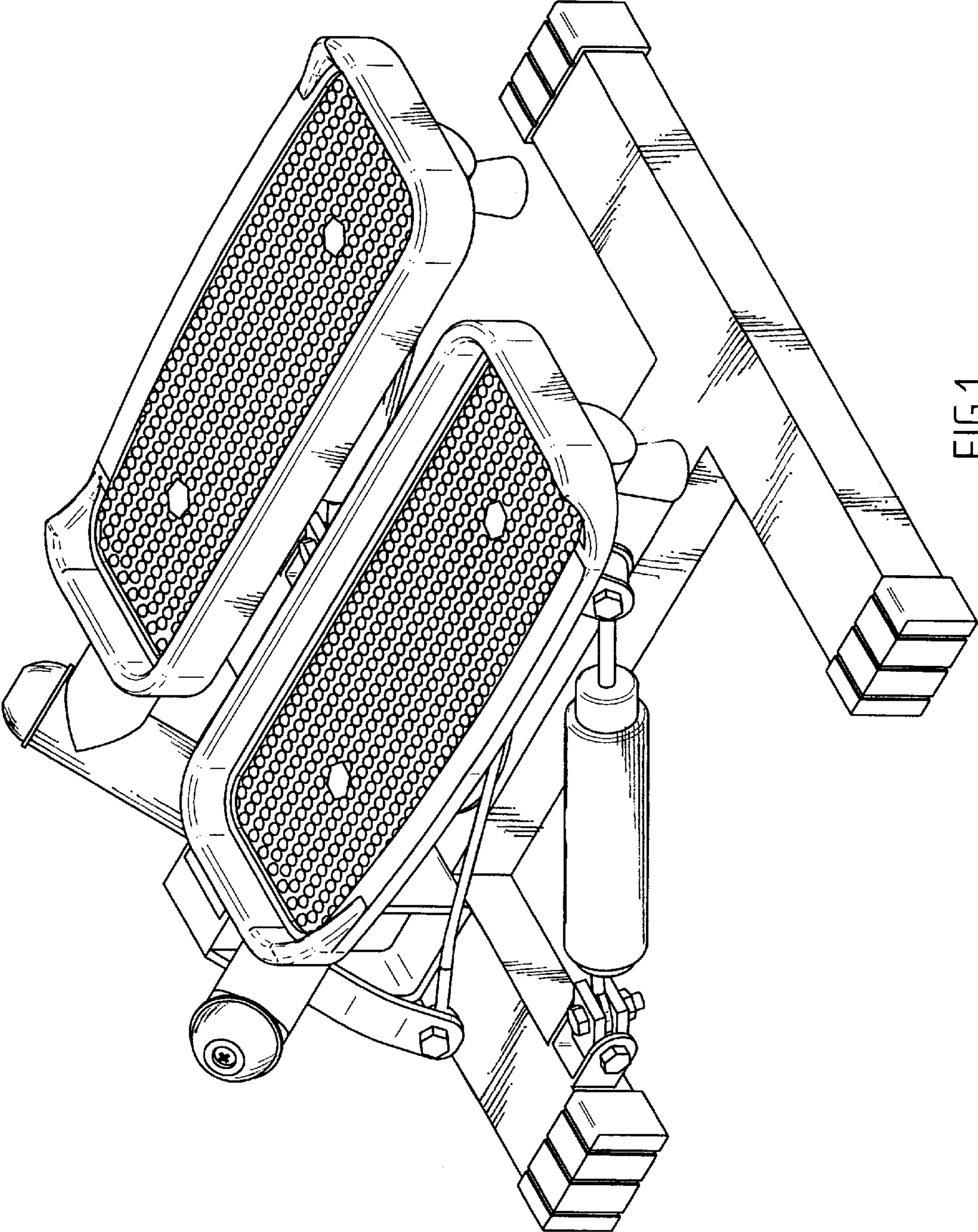


FIG.1

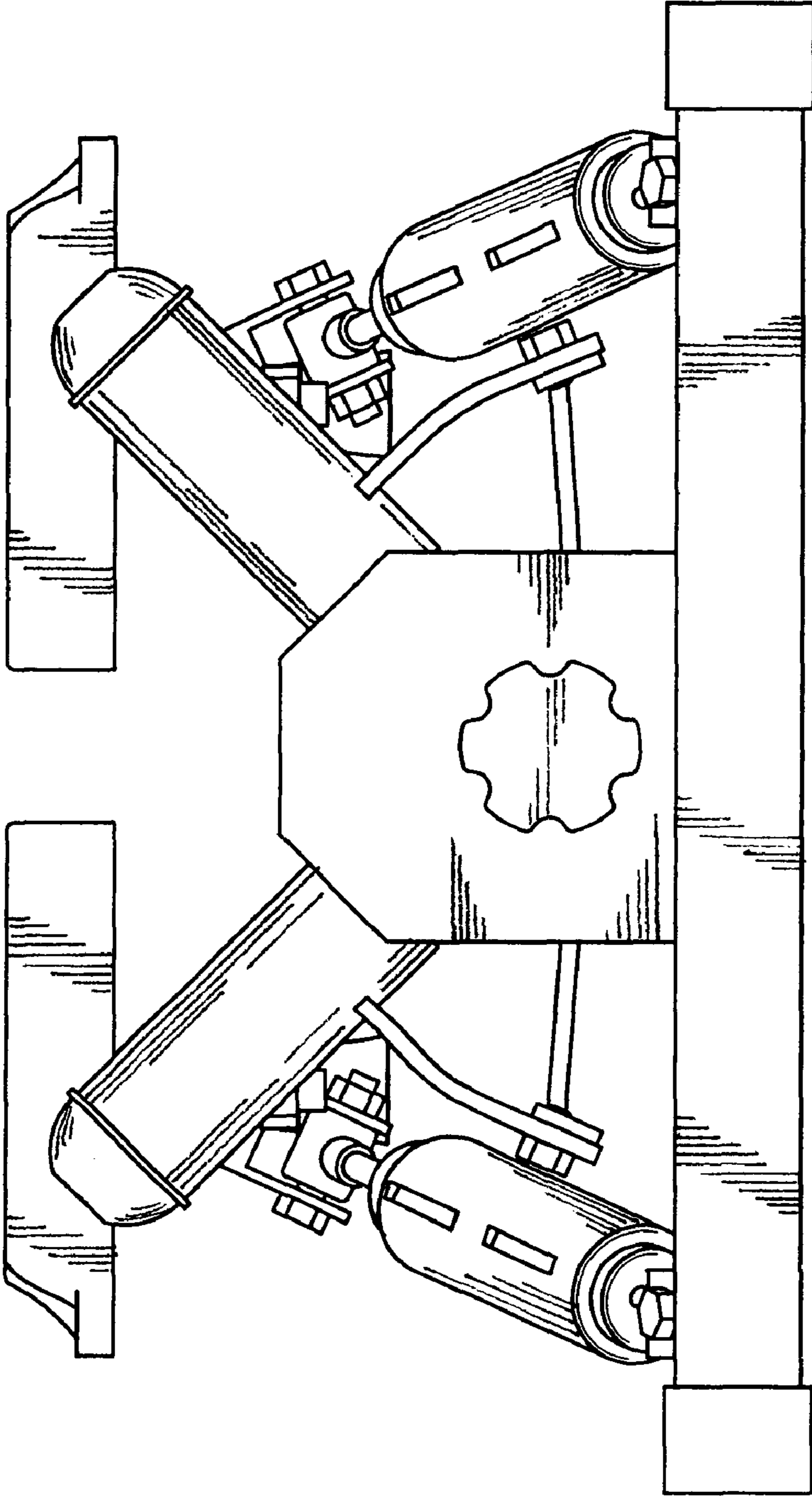


FIG.2

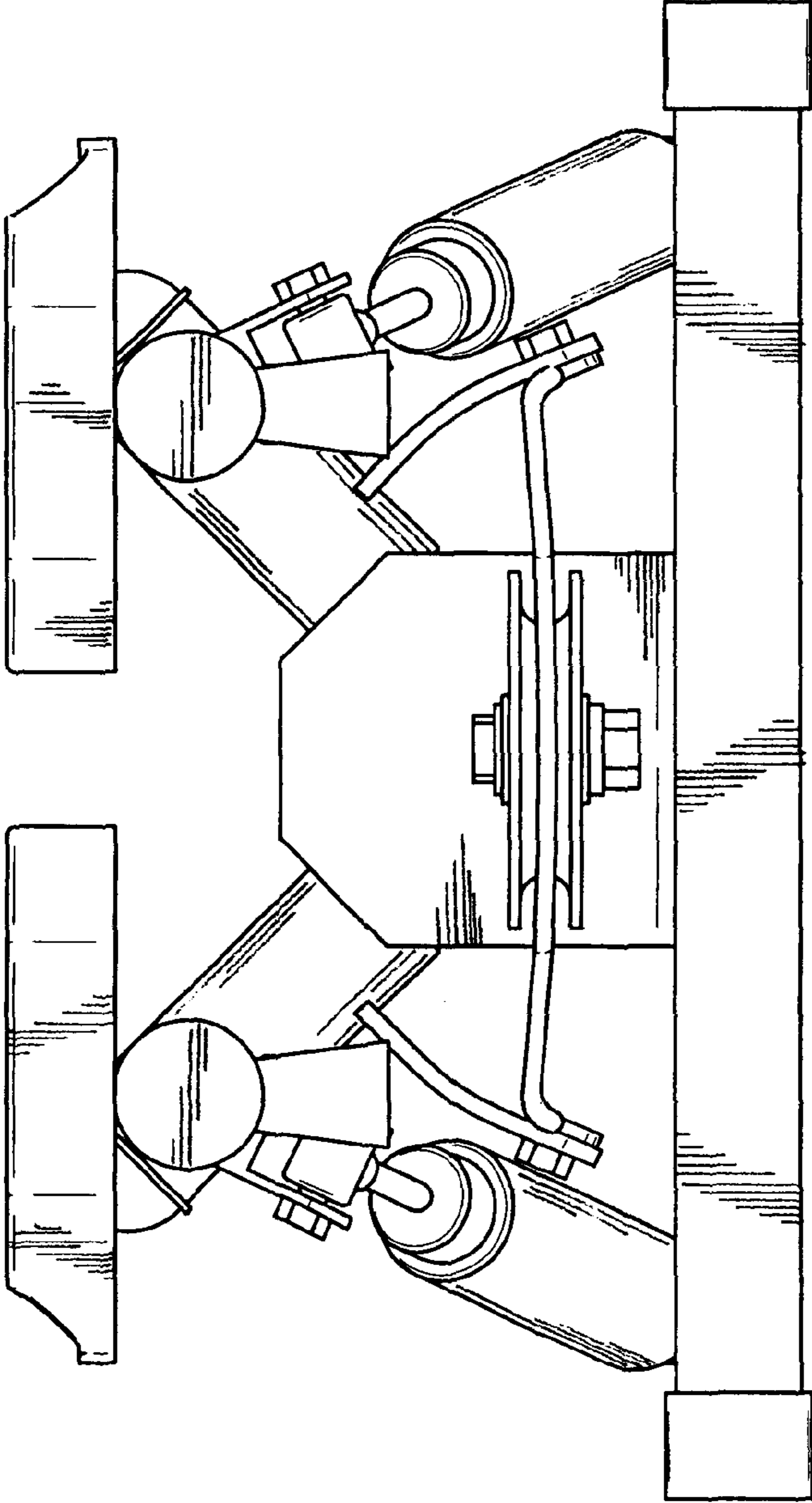


FIG.3

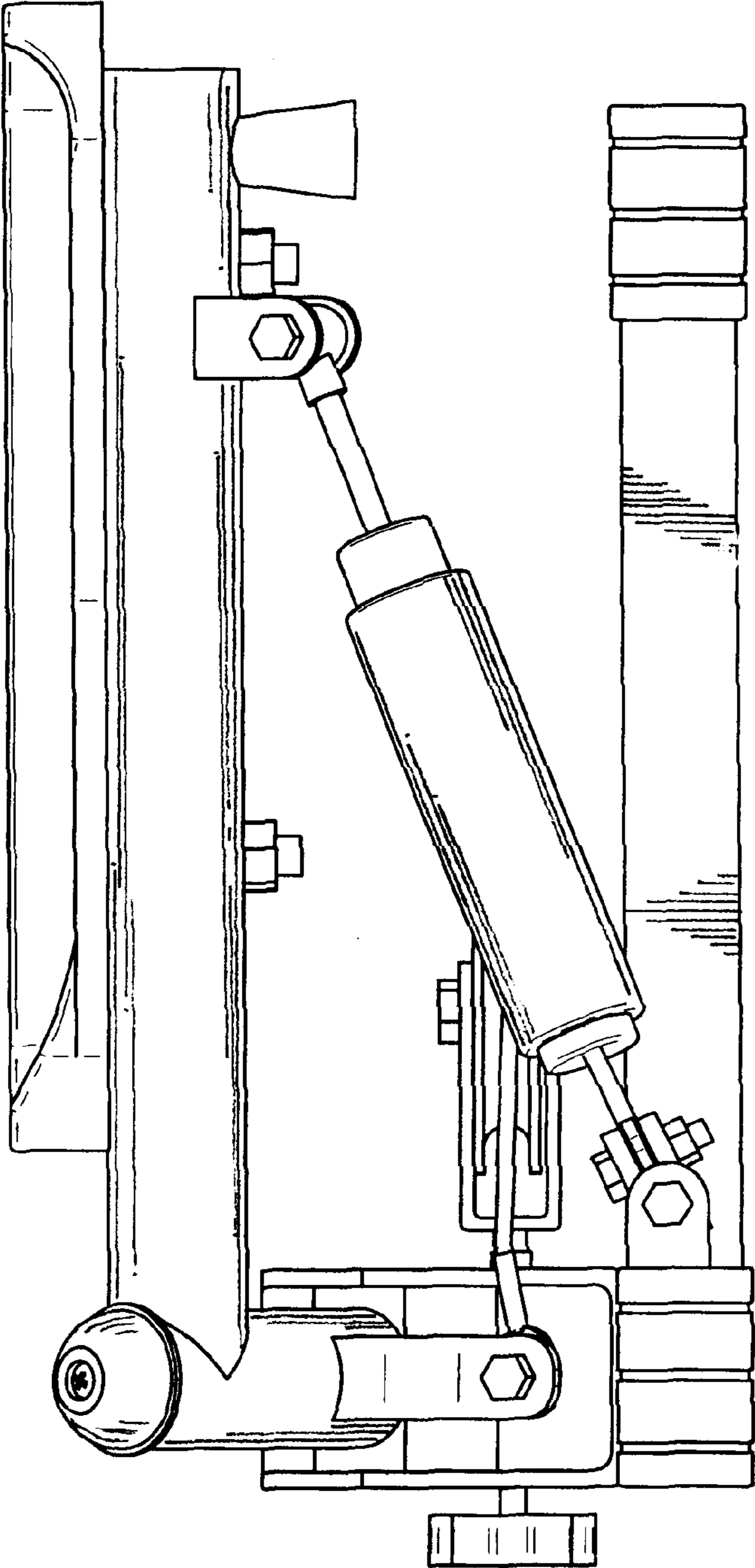


FIG.4

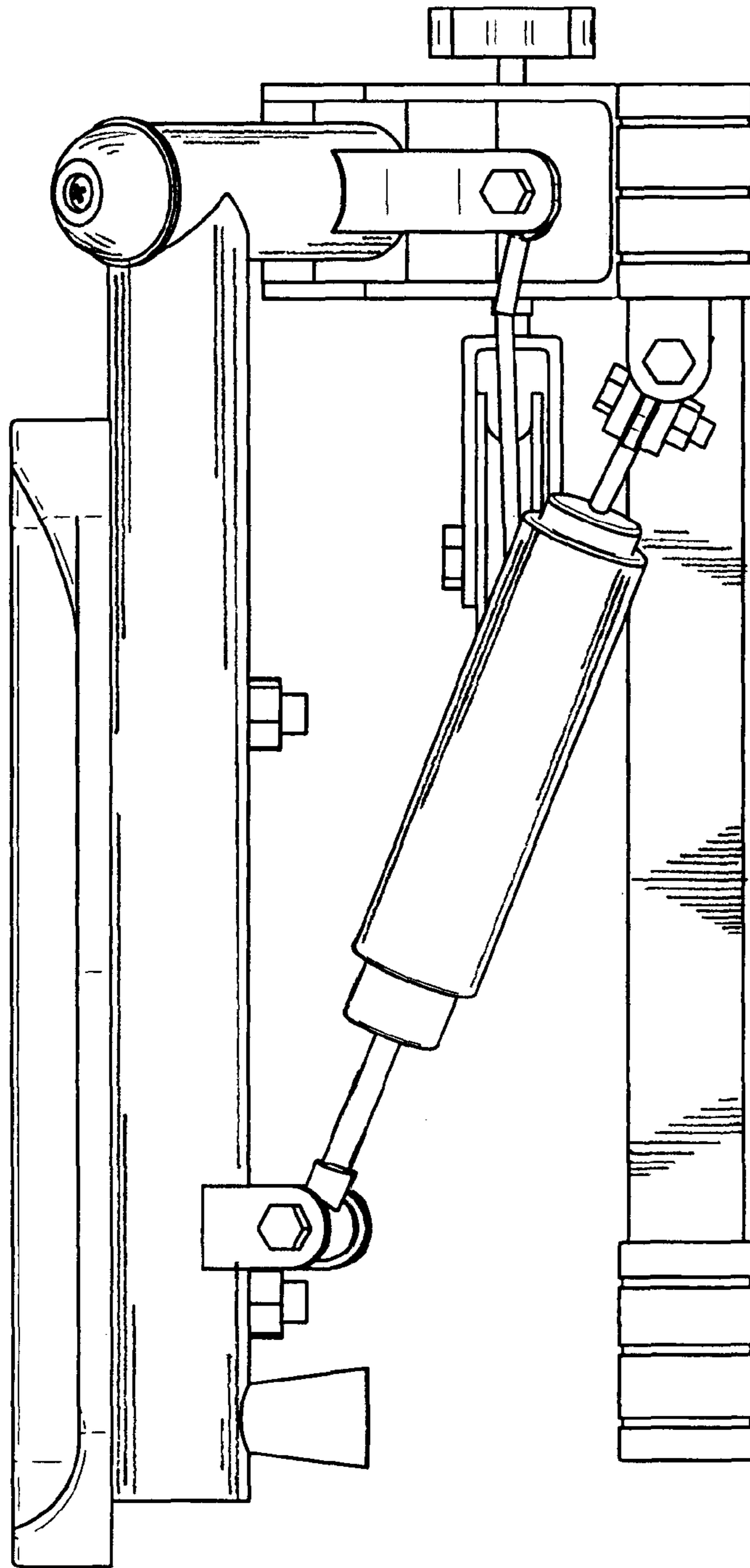


FIG.5

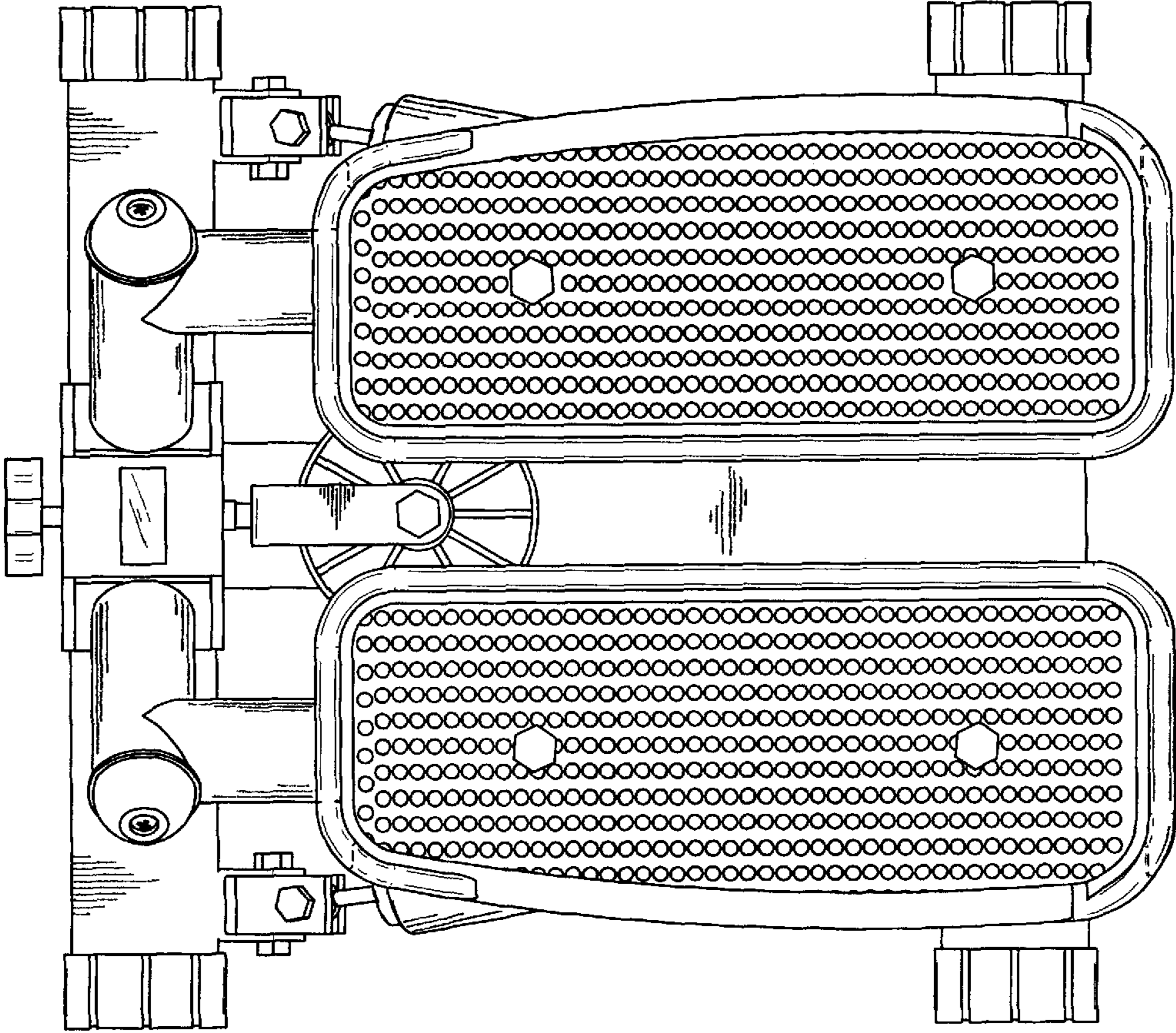


FIG.6

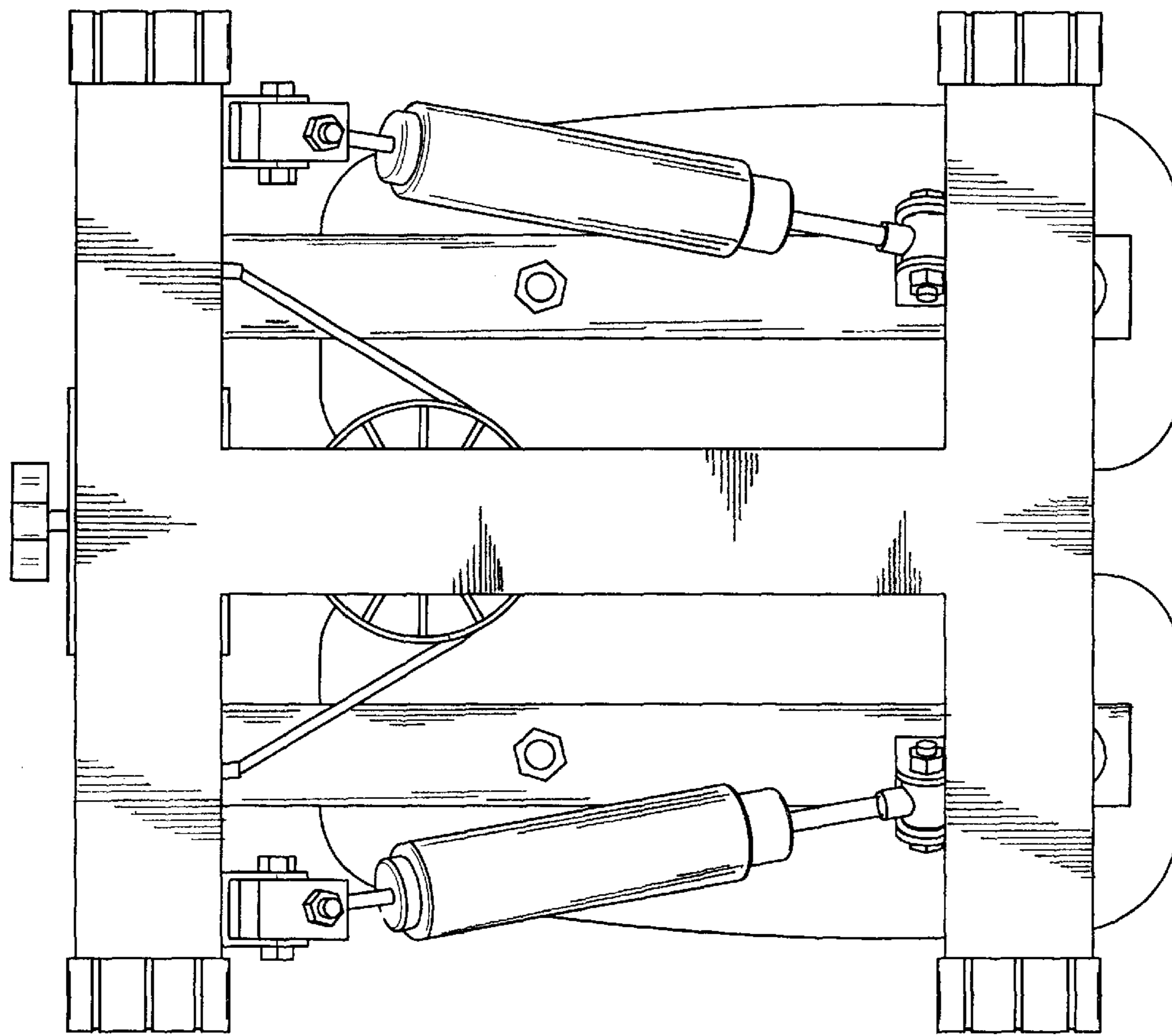


FIG. 7



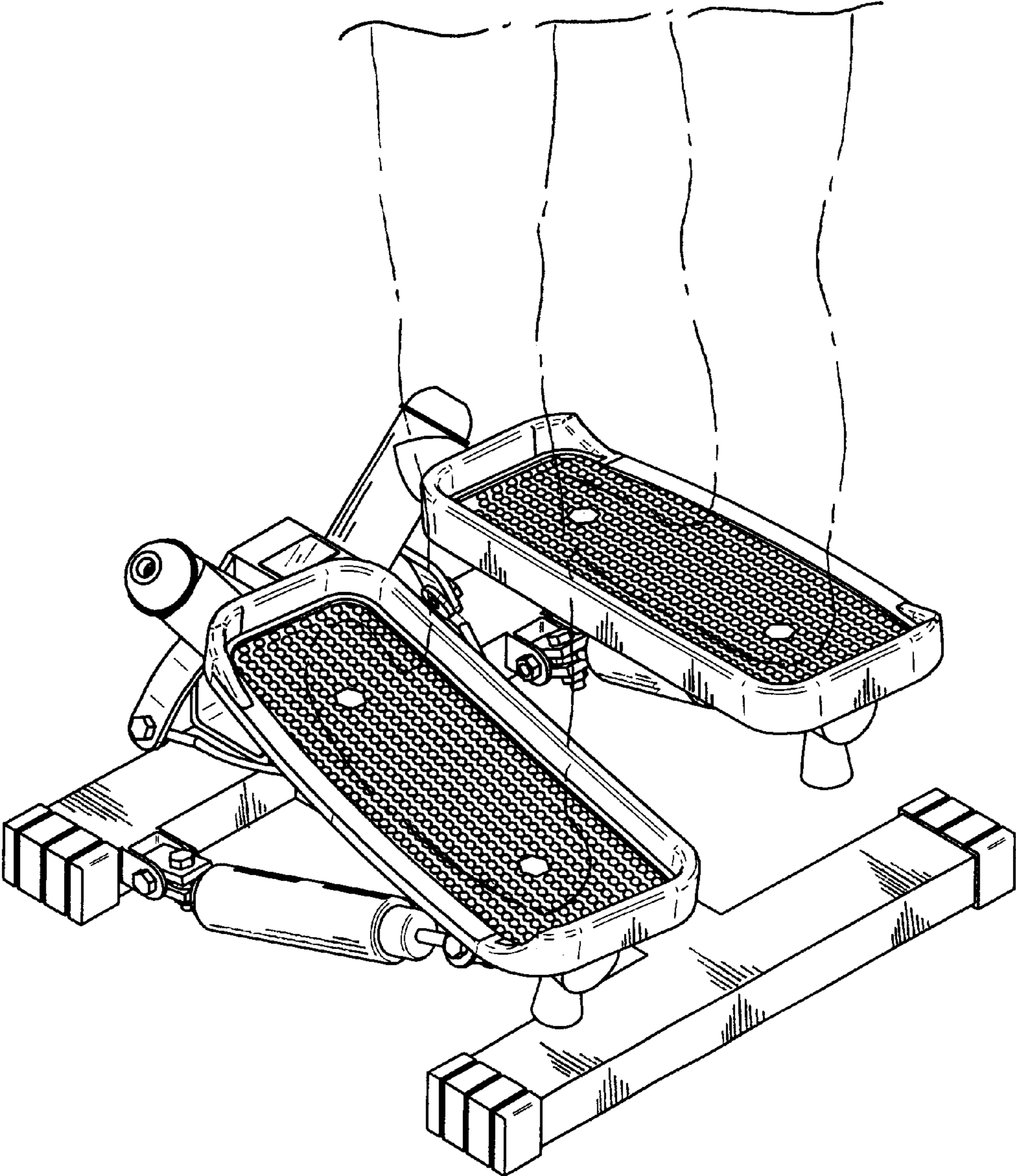


FIG.8