



US00D514624S

(12) **United States Design Patent** (10) **Patent No.:** **US D514,624 S**  
**Roatis et al.** (45) **Date of Patent:** **\*\* Feb. 7, 2006**

(54) **SECURITY COVER FOR VENDING MACHINE ELECTRONIC LOCKING MOTOR DRIVE**  
(75) Inventors: **Calin V. Roatis**, Long Grove, IL (US); **Richard Paeth**, St. Charles, IL (US); **Catalin Captarenco**, Wheeling, IL (US); **Gary Myers**, Monee, IL (US); **Bill Denison**, Lake Zurich, IL (US)  
(73) Assignee: **TriTeq Lock and Security, L.L.C.**, Elk Grove, IL (US)

D360,228 S \* 7/1995 Dabrowski ..... D20/8  
D363,874 S \* 11/1995 Crane ..... D8/346  
5,601,177 A 2/1997 Oden  
5,918,491 A \* 7/1999 Maxwell et al. .... 70/164  
5,975,595 A \* 11/1999 Lorenzo ..... 292/205  
6,082,519 A 7/2000 Martin et al.  
6,125,989 A 10/2000 Oden  
6,230,426 B1 5/2001 Fakhoury et al.  
6,371,581 B1 4/2002 Ring et al.  
6,571,931 B2 6/2003 Oden  
6,578,393 B2 \* 6/2003 Yarborough ..... 70/56  
D477,983 S \* 8/2003 Burdett et al. .... D8/330  
D487,777 S \* 3/2004 Roatis et al. .... D20/8

(\* ) Notice: This patent is subject to a terminal disclaimer.  
(\*\* ) Term: **14 Years**

\* cited by examiner  
*Primary Examiner*—Robert M. Spear  
(74) *Attorney, Agent, or Firm*—Leydig Voit & Mayer, Ltd.

(21) Appl. No.: **29/198,852**  
(22) Filed: **Feb. 5, 2004**

(51) **LOC (8) Cl.** ..... **20-01**  
(52) **U.S. Cl.** ..... **D20/8**  
(58) **Field of Classification Search** ..... D20/1-9, D20/99; D8/330, 334, 336, 343, 346; 70/51, 70/54, 55, 158, 160, 258, 413, DIG. 56; 194/350, 194/351, 352; 206/308.2; 312/249.1, 293.1, 312/293.3, 138.1  
See application file for complete search history.

(57) **CLAIM**  
The ornamental design for a security cover for vending machine electronic locking motor drive, substantially as shown and described.

(56) **References Cited**  
U.S. PATENT DOCUMENTS  
4,326,620 A 4/1982 Felix et al.  
4,462,317 A \* 7/1984 Franko et al. .... 109/45  
4,718,547 A 1/1988 MacTavish  
D302,237 S \* 7/1989 O'Day ..... D8/330  
5,081,568 A 1/1992 Dong et al.  
5,117,538 A 6/1992 Henry  
5,263,344 A \* 11/1993 Madison ..... 70/14  
5,390,515 A 2/1995 Essick

**DESCRIPTION**  
FIG. 1 is a right front perspective view of a security cover for vending machine electronic locking motor drive showing our new design;  
FIG. 2 is a front elevational view thereof;  
FIG. 3 is a bottom plan view thereof;  
FIG. 4 is a left side view thereof;  
FIG. 5 is a right side view thereof;  
FIG. 6 is a rear elevational view thereof;  
FIG. 7 is a bottom plan view thereof;  
FIG. 8 is a right front perspective of an alternate version thereof;  
FIG. 9 is a front elevational view thereof;  
FIG. 10 is a right front perspective view of another version thereof; and,  
FIG. 11 is a front elevational view thereof.

**1 Claim, 4 Drawing Sheets**

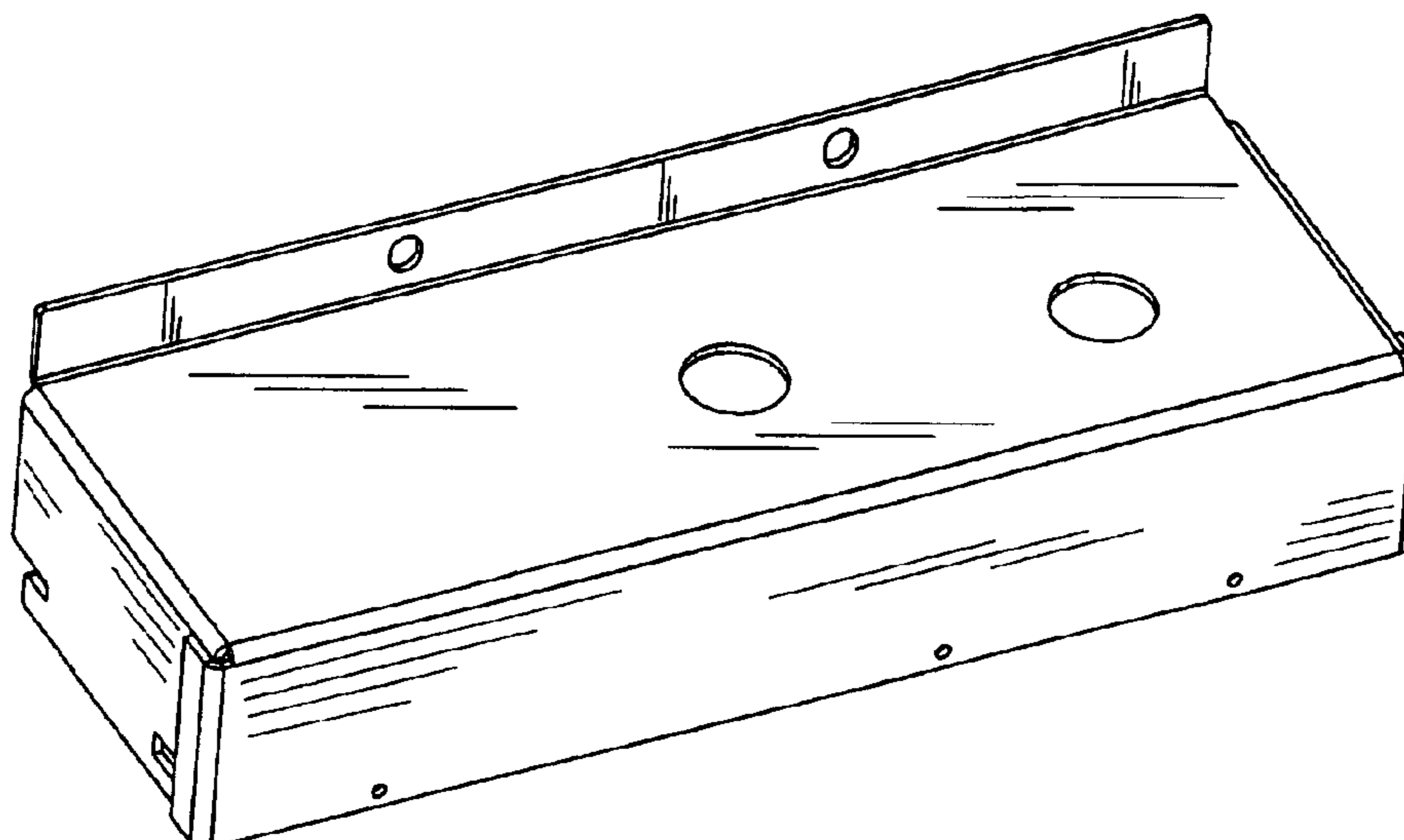


FIG. 1

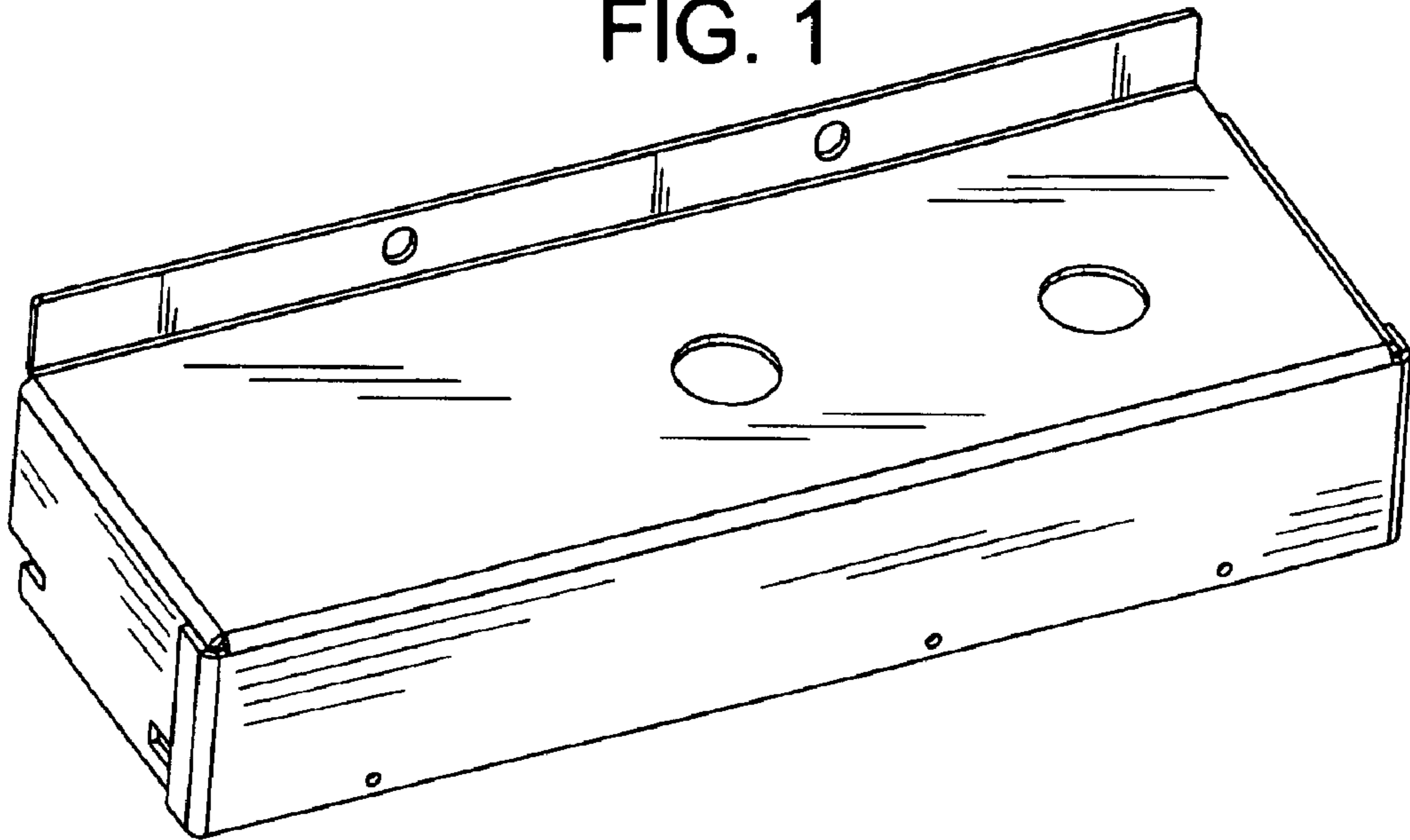


FIG. 2

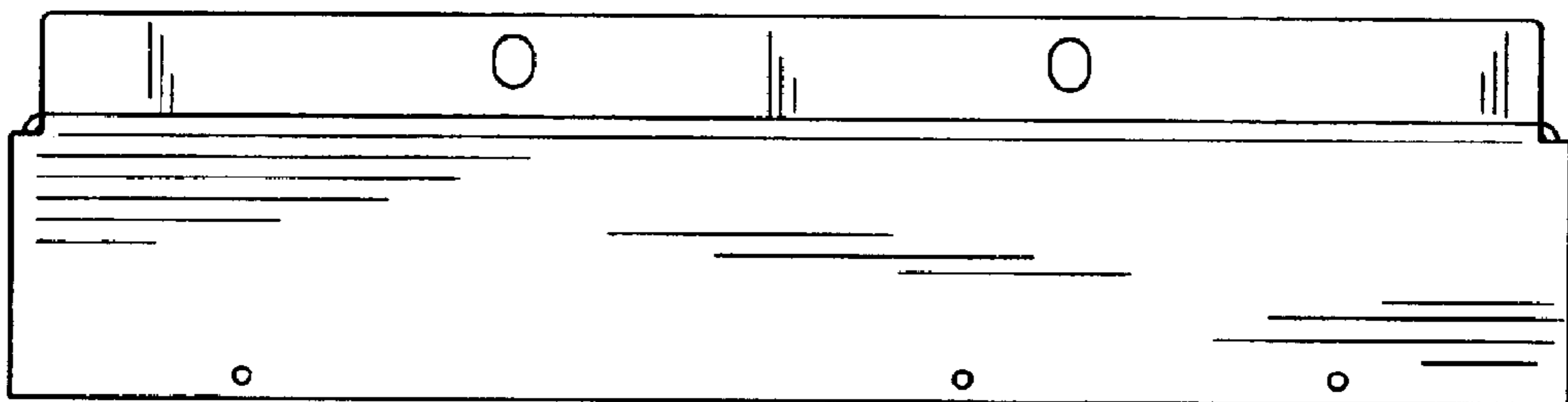


FIG. 3

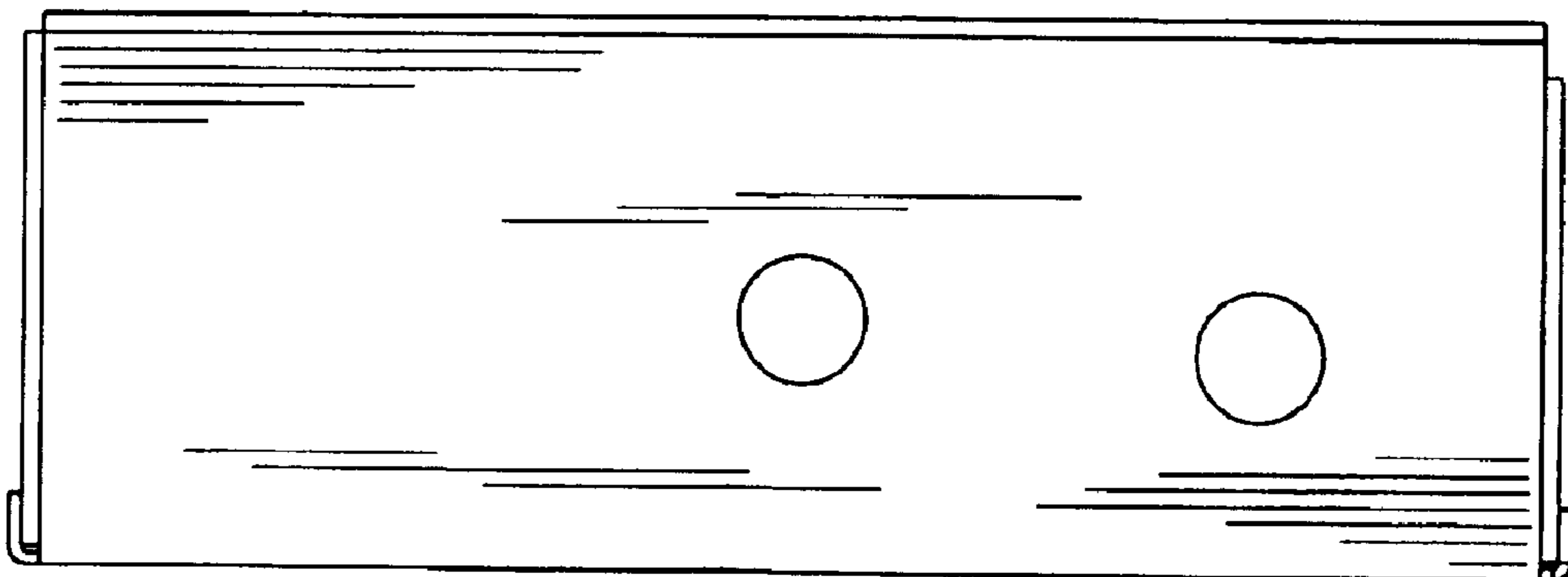


FIG. 4

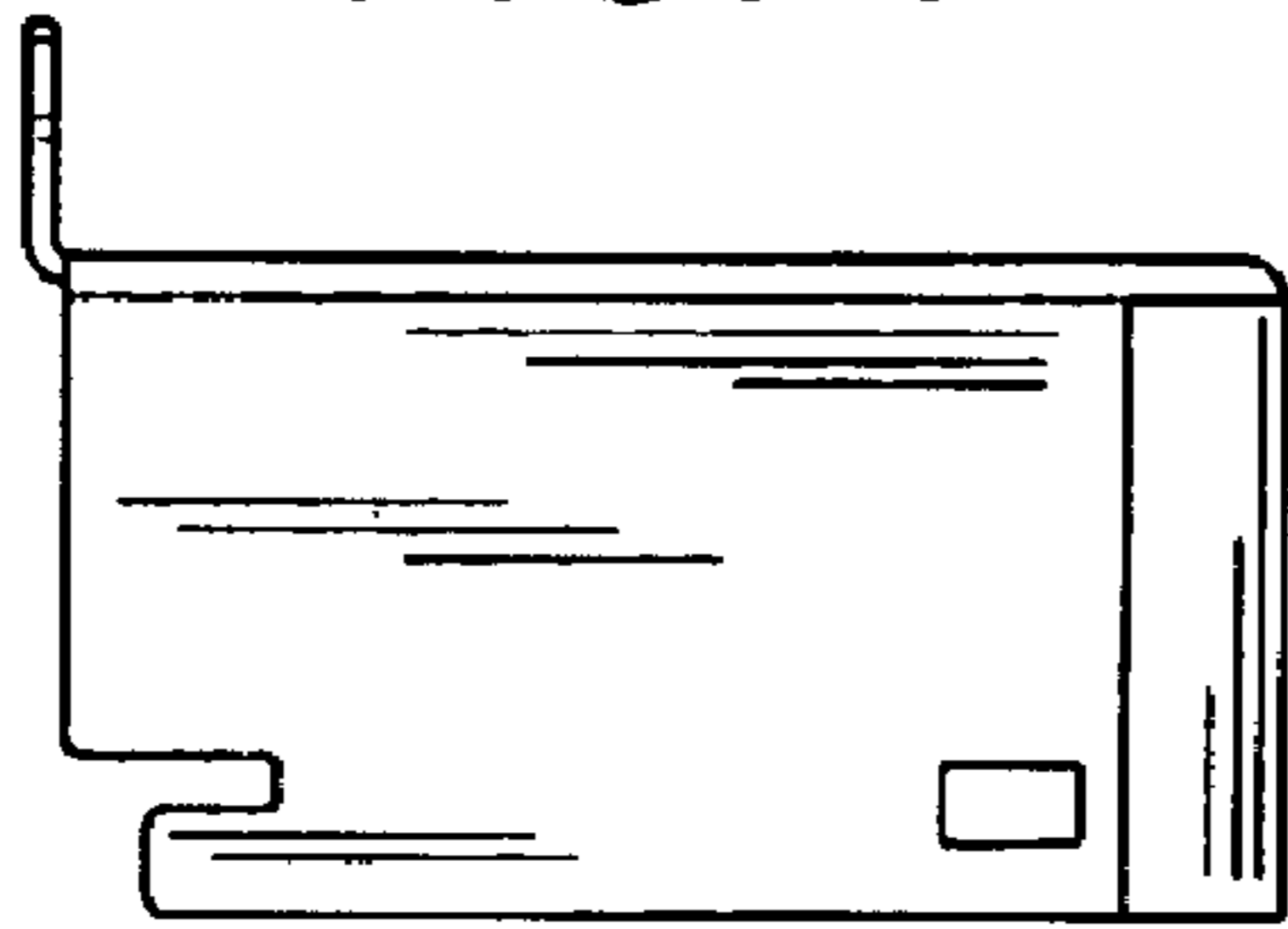


FIG. 5

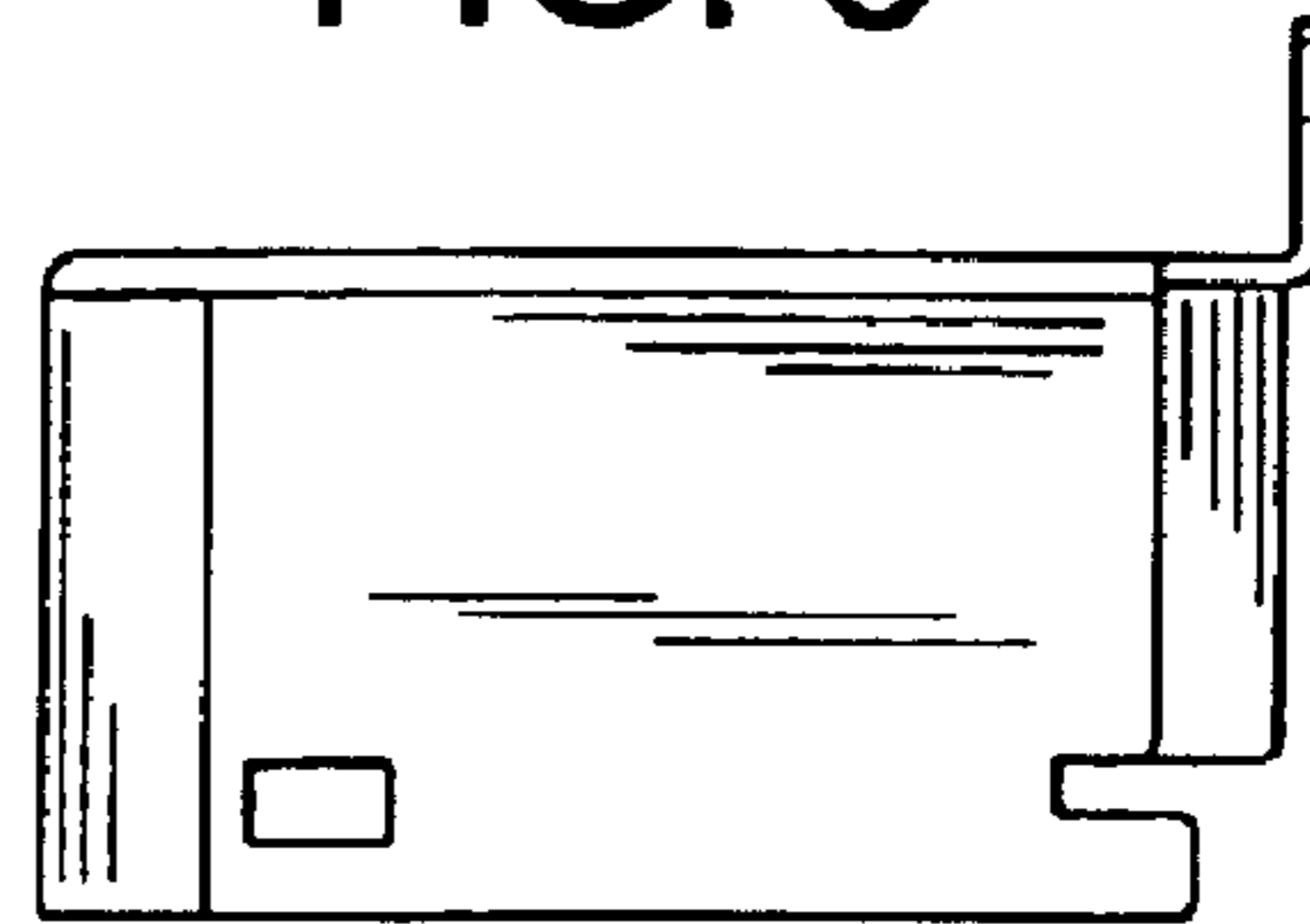


FIG. 6

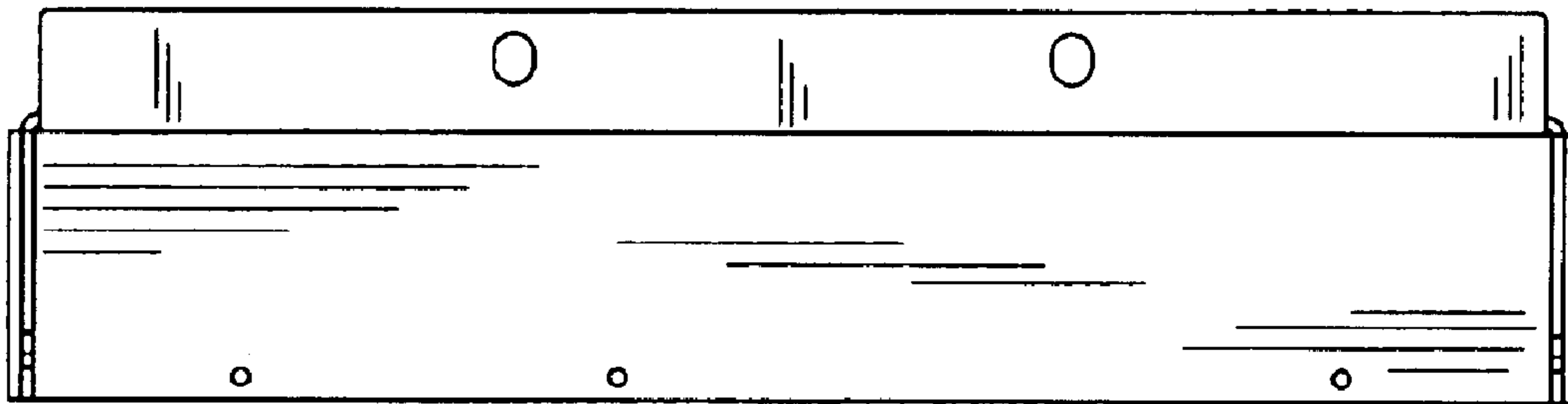


FIG. 7

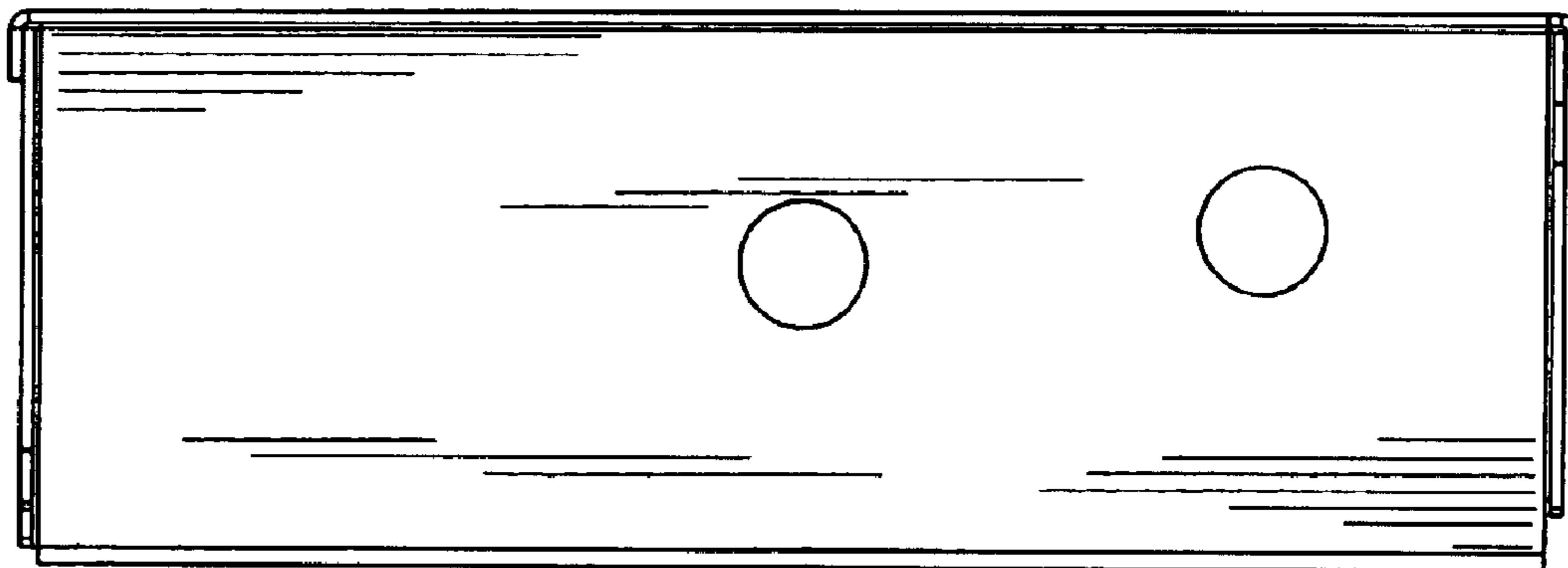


FIG. 8

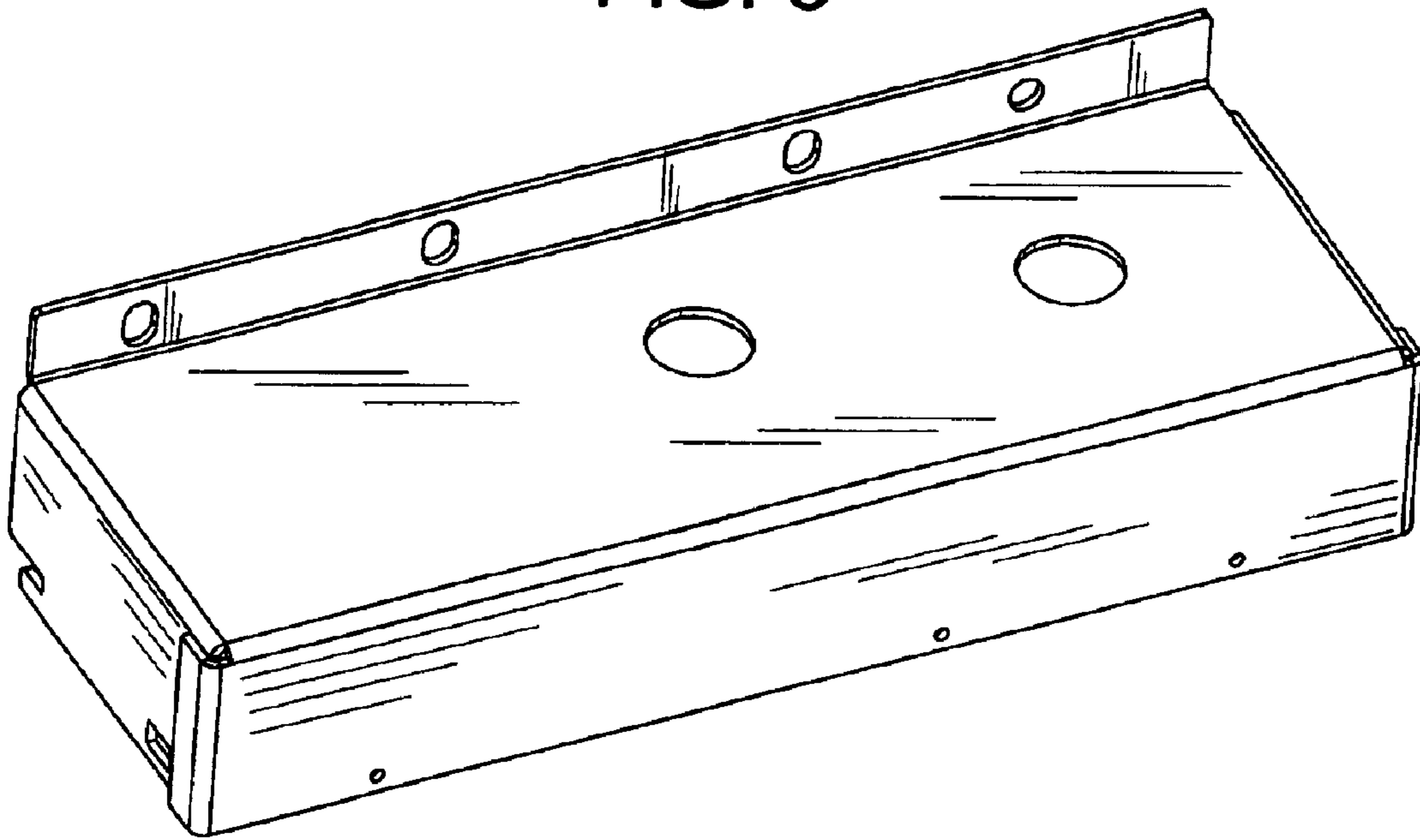


FIG. 9

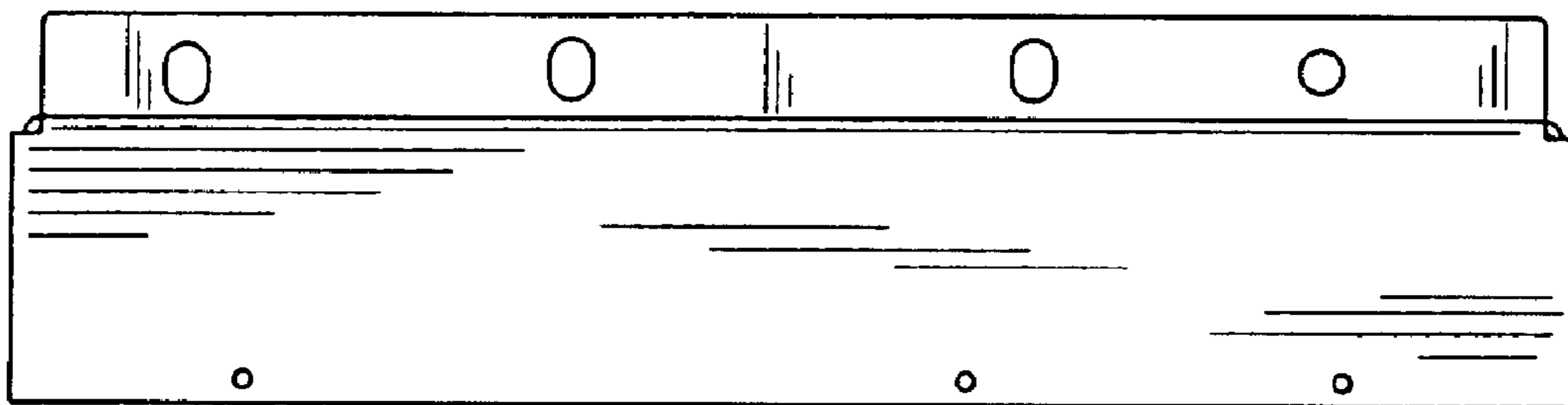


FIG. 10

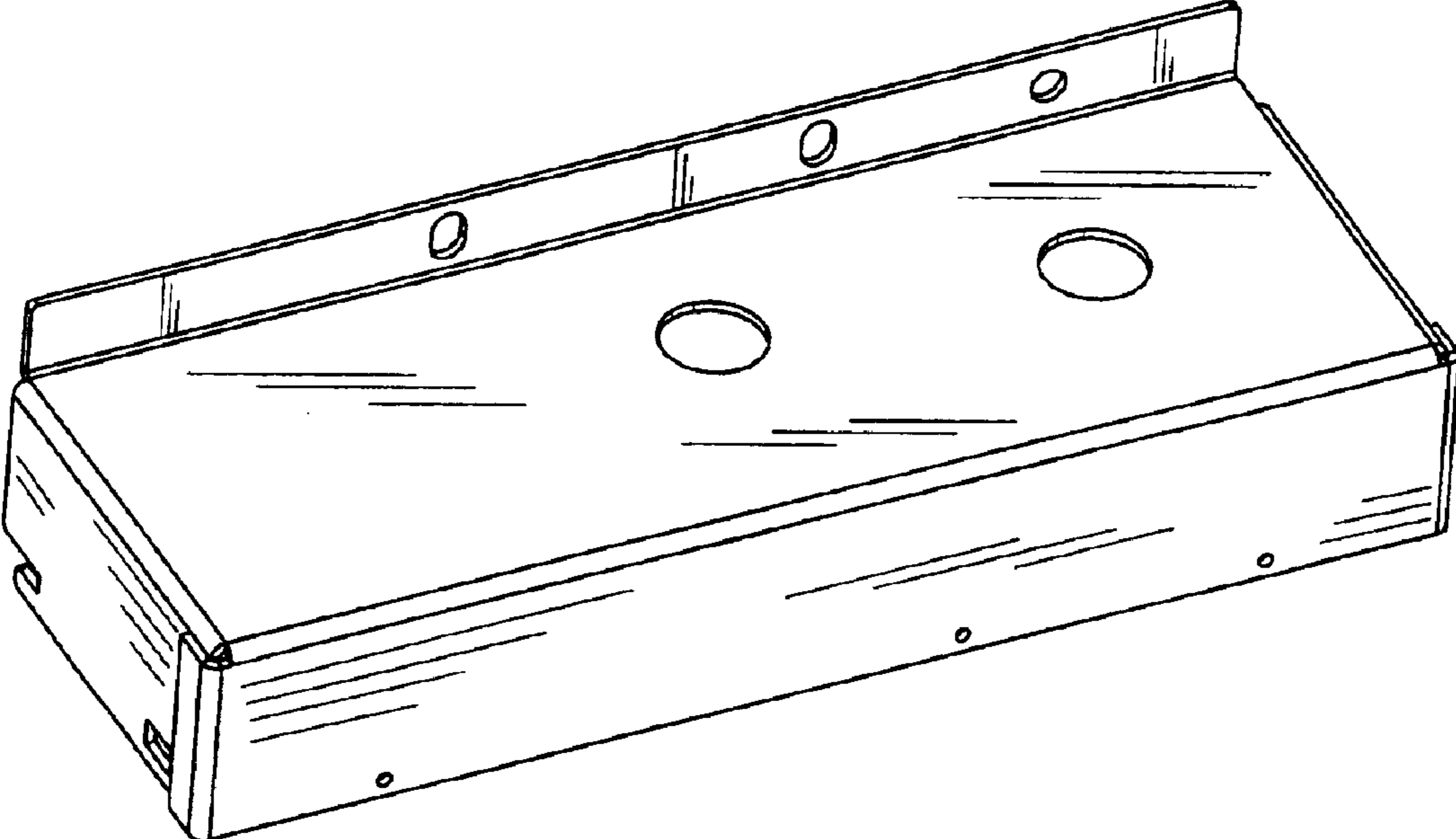


FIG. 11

