

US00D514623S

(12) **United States Design Patent** (10) **Patent No.:** **US D514,623 S**
Smith (45) **Date of Patent:** **** *Feb. 7, 2006**

- (54) **TRAY**
- (75) **Inventor:** **Aaron W. Smith**, Plainfield, IL (US)
- (73) **Assignee:** **Rubbermaid Incorporated**, Eailawn, OH (US)
- (*) **Notice:** This patent is subject to a terminal disclaimer.
- (**) **Term:** **14 Years**

D334,593 S	4/1993	Evenson	D19/92
D338,917 S	8/1993	Aaldenberg	D19/92
D341,377 S	* 11/1993	Ringle	D19/95
D348,904 S	7/1994	Linder	D19/92
D356,822 S	3/1995	Volk	D19/35
D382,402 S	8/1997	Pawuk et al.	D3/304
D390,876 S	2/1998	Cheris et al.	D19/92
5,911,320 A	* 6/1999	Forestelle	206/215
D434,804 S	12/2000	Chang	D19/92
D454,371 S	3/2002	Goodman et al.	D19/92
D479,273 S	9/2003	Chang	D19/92
D492,360 S	6/2004	Hardy	D19/92

- (21) **Appl. No.:** **29/216,768**
- (22) **Filed:** **Nov. 9, 2004**

Related U.S. Application Data

- (63) Continuation of application No. 29/206,580, filed on Jun. 1, 2004, now Pat. No. Des. 504,703.
 - (51) **LOC (8) Cl.** **19-02**
 - (52) **U.S. Cl.** **D19/92**
 - (58) **Field of Classification Search** D19/35, D19/36, 91, 92, 75, 77, 78, 86, 95, 99, 100; 206/214, 215, 224, 225, 555, 449, 557; 211/10, 211/11, 13.1, 50, 126.1, 126.5, 126.6, 126.8, 211/126.13, 126.16, 126.2
- See application file for complete search history.

(56) **References Cited**

U.S. PATENT DOCUMENTS

D46,773 S	* 12/1914	La Jeuness	D19/92
D50,788 S	* 5/1917	Johnson	D19/92
1,740,424 A	* 12/1929	Blaine	206/449
1,867,738 A	* 7/1932	Fraser	206/557
2,100,720 A	* 11/1937	Page	211/50
2,183,992 A	* 12/1939	Hearn et al.	211/126.1
D125,415 S	* 2/1941	Freligh	D19/92
D137,950 S	* 5/1944	Howard	D19/92
3,934,724 A	1/1976	Johnson	206/507
4,102,453 A	7/1978	Carroll et al.	206/507
4,238,032 A	12/1980	Thurman	206/507
4,320,837 A	3/1982	Carroll et al.	206/505
D331,257 S	11/1992	Breen et al.	D19/20

OTHER PUBLICATIONS

Undated drawing of letter tray which is the subject of co-pending U.S. Appl. No. 29/202,695, filed Apr. 2, 2004.

* cited by examiner

Primary Examiner—Jeffrey Asch

Assistant Examiner—Elizabeth Albert

(74) *Attorney, Agent, or Firm*—Marshall, Gerstein & Borun LLP

(57) **CLAIM**

The ornamental design for a “tray,” as shown and described.

DESCRIPTION

FIG. 1 is a top perspective view showing our new design; FIG. 2 is another top perspective of the tray of FIG. 1; FIG. 3 is a top plan view of the tray of FIG. 1; FIG. 4 is a front elevational view of the tray of FIG. 1; FIG. 5 is a right side elevational view of the tray of FIG. 1; FIG. 6 is a left side elevational view of the tray of FIG. 1; FIG. 7 is a rear elevational view of the tray of FIG. 1; FIG. 8 is a bottom plan view of the tray of FIG. 1; FIG. 9 is a bottom perspective view of the tray of FIG. 1; FIG. 10 is another perspective view of the tray of FIG. 1 in a stacked configuration with unclaimed similar trays; and, FIG. 11 is another perspective view of the tray of FIG. 1 in a nested configuration with unclaimed similar trays. The dashed lines are for illustrative purposes only and form no part of the claimed design.

1 Claim, 6 Drawing Sheets

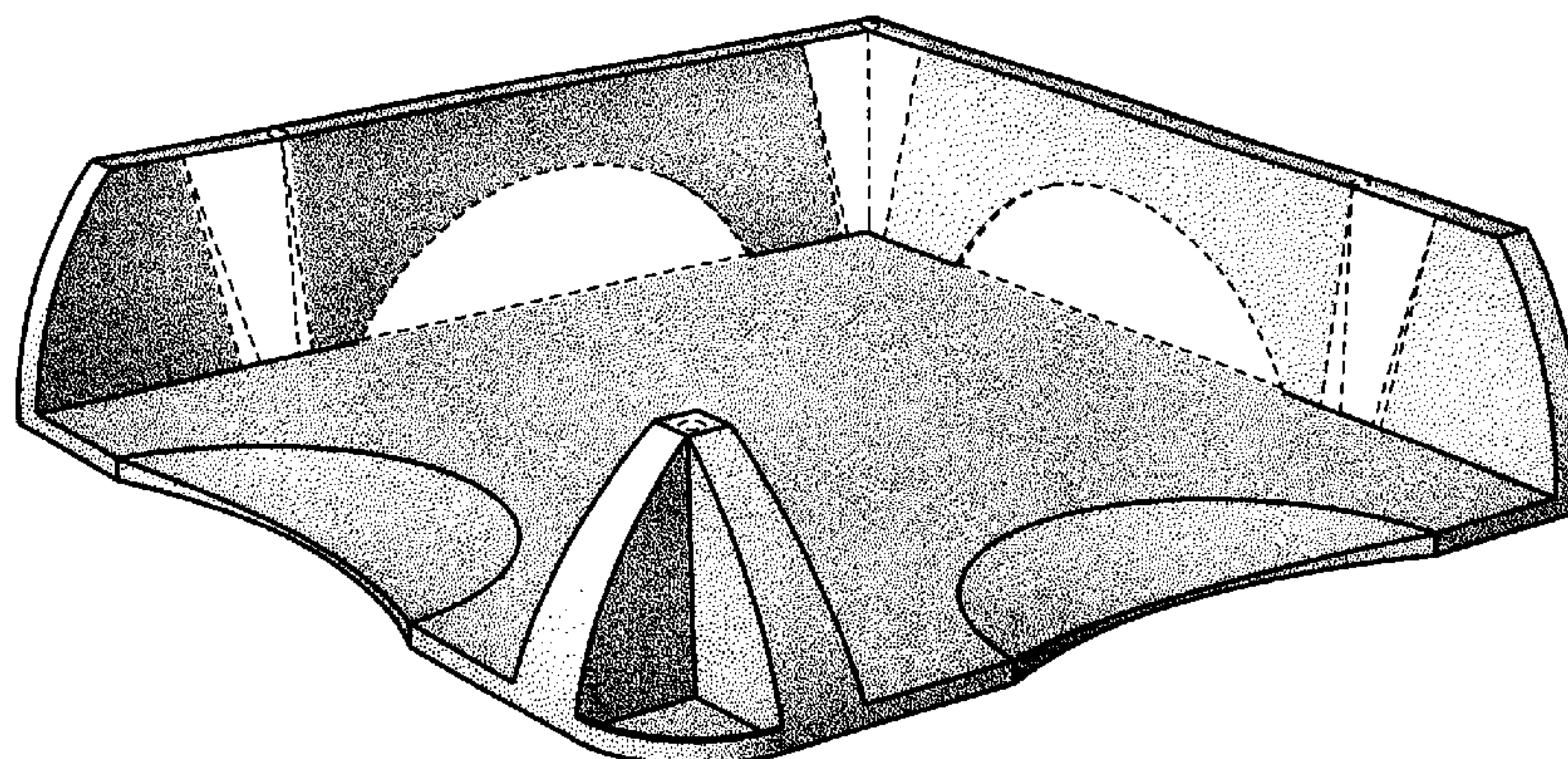


FIG. 1

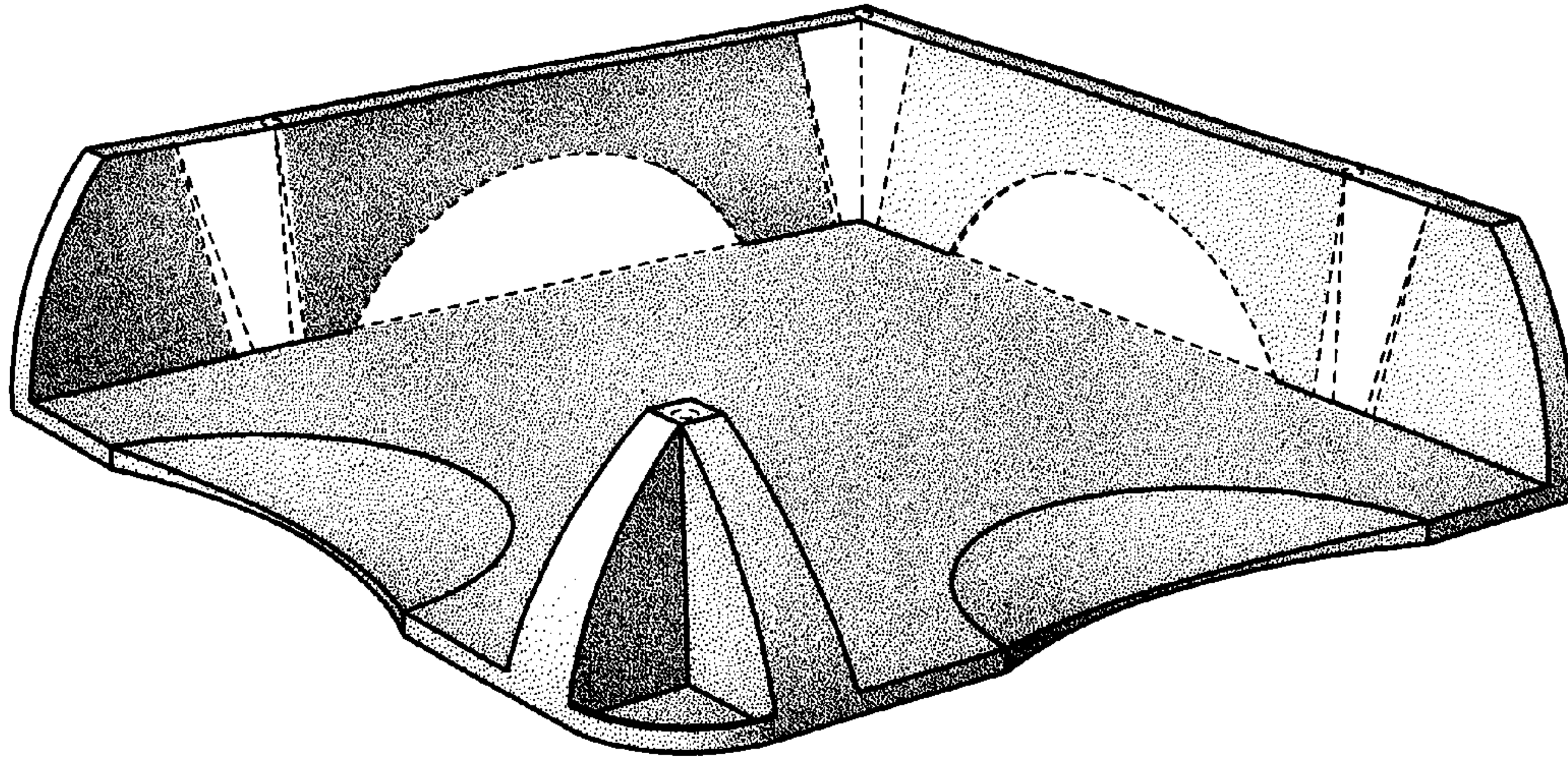


FIG. 2

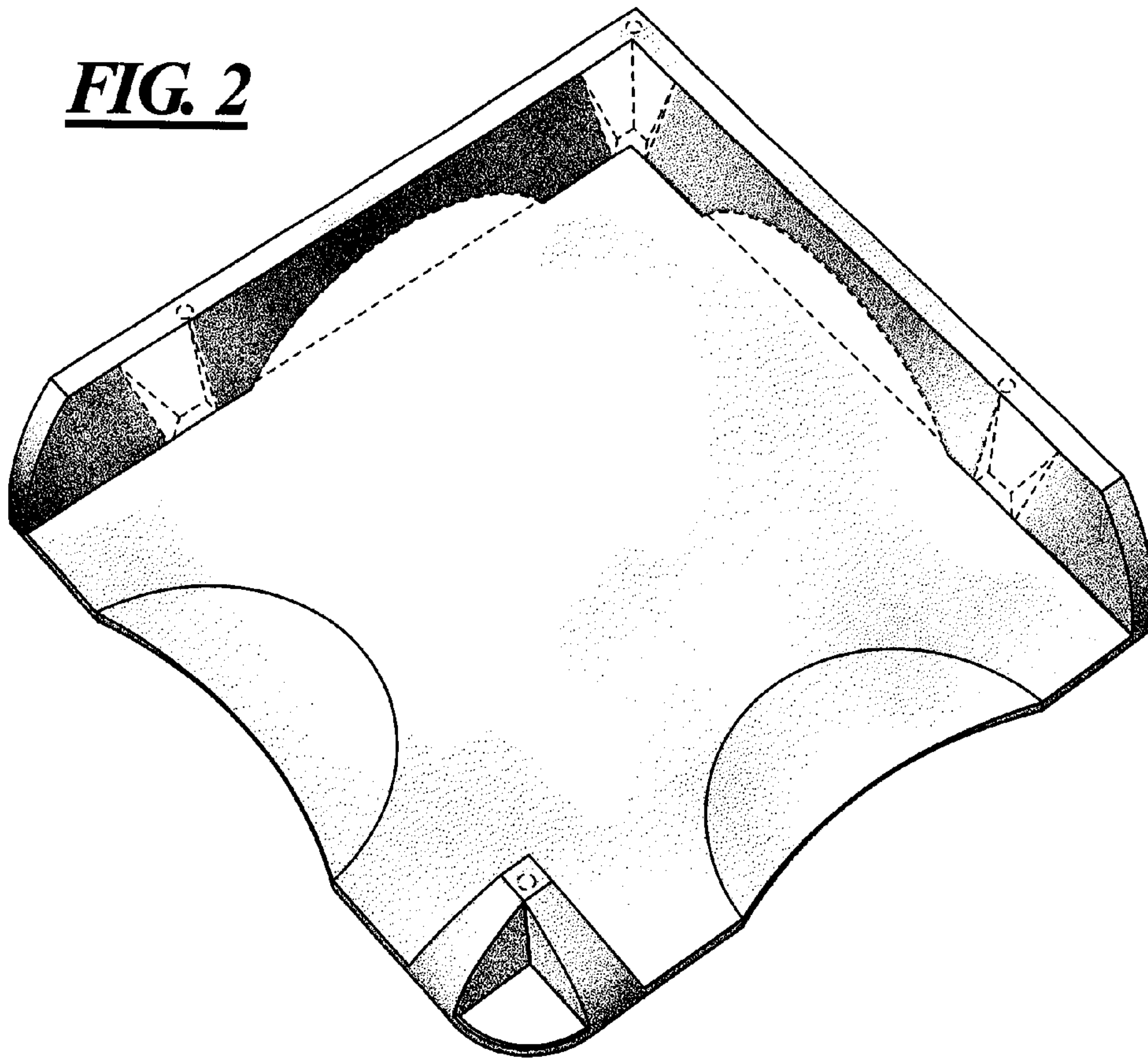


FIG. 3

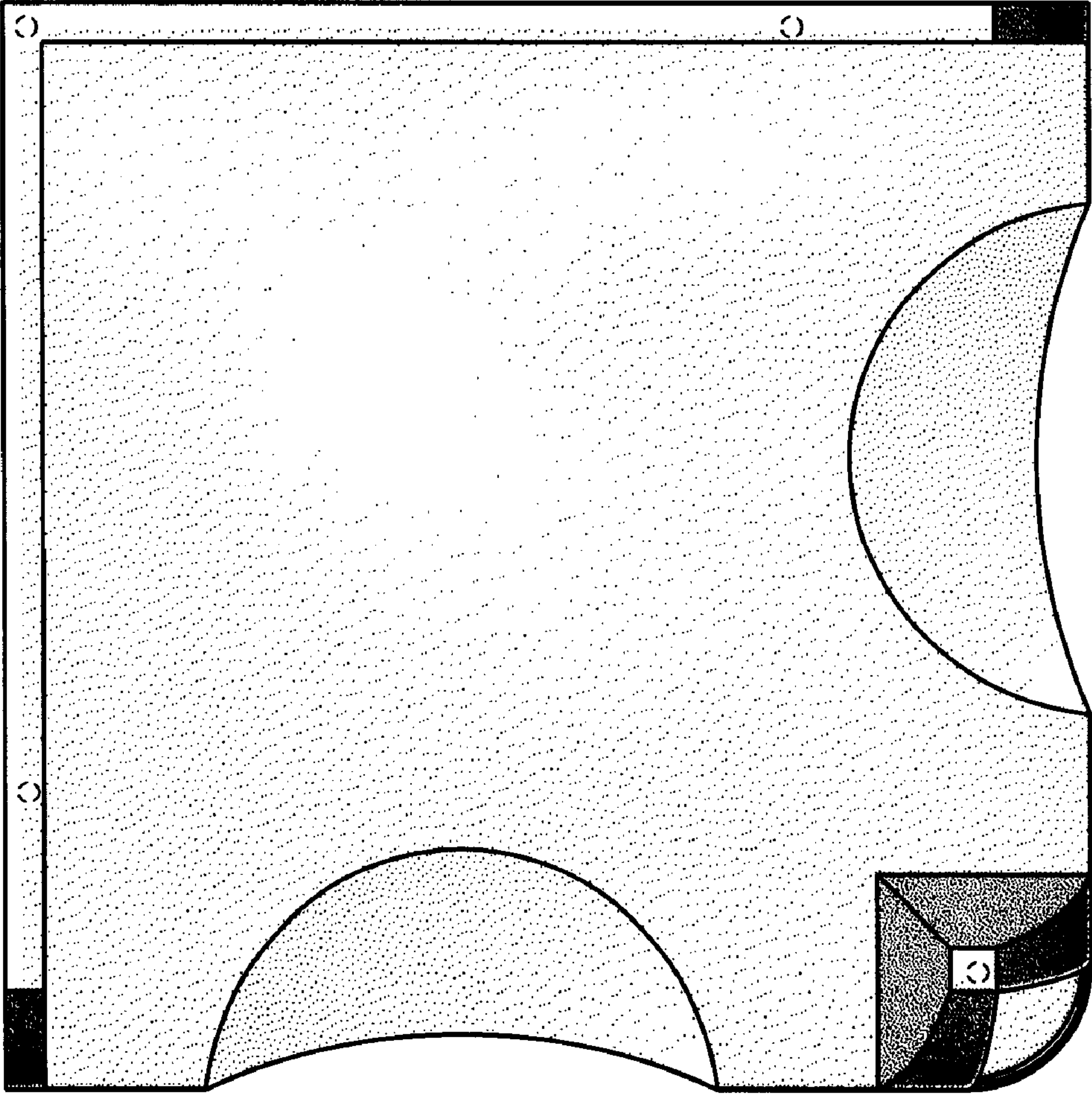


FIG. 4

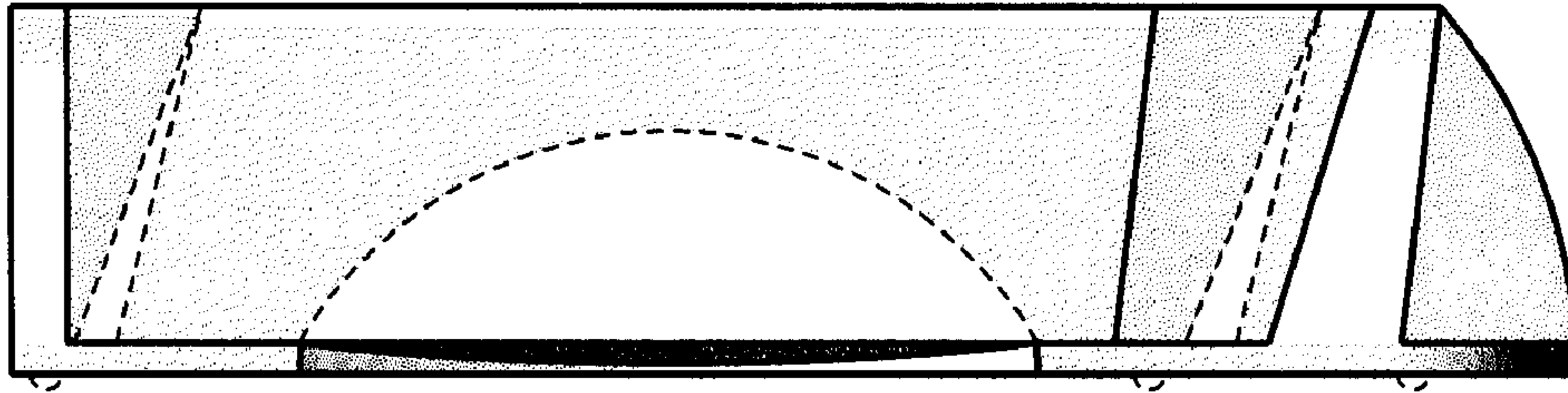


FIG. 5

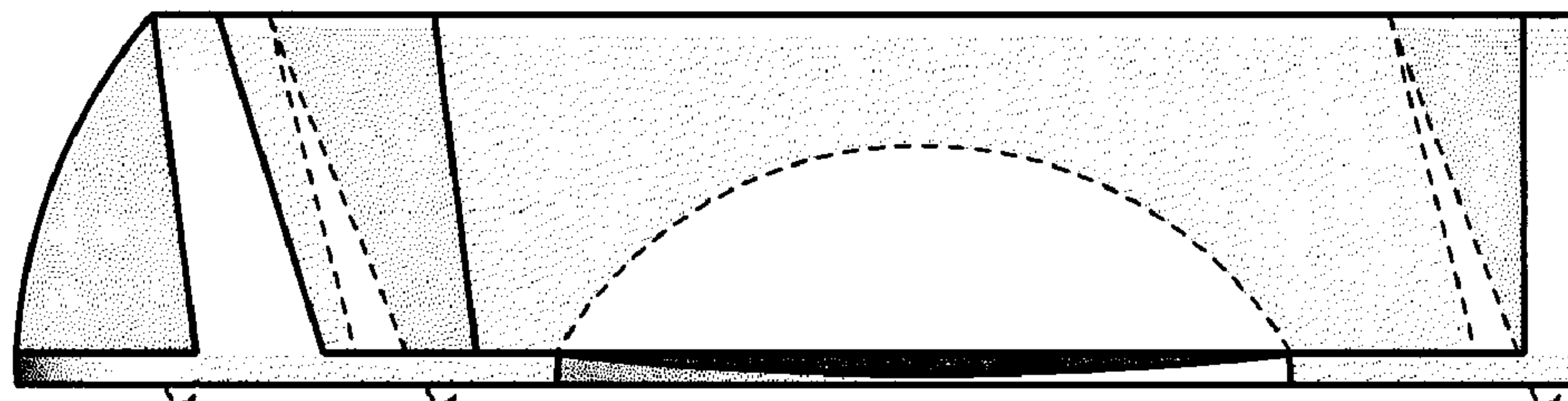


FIG. 6

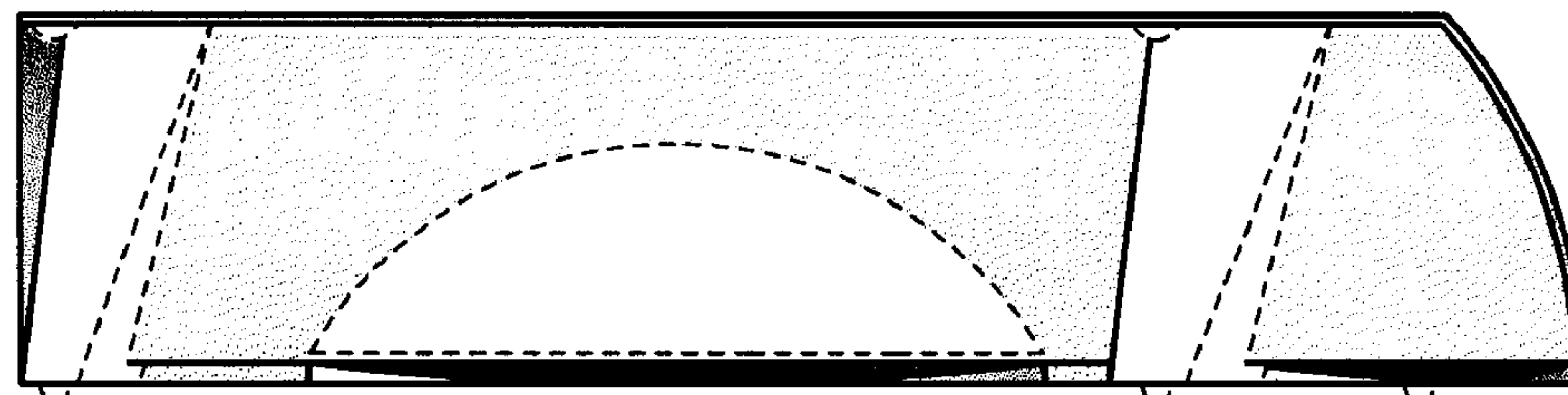


FIG. 7

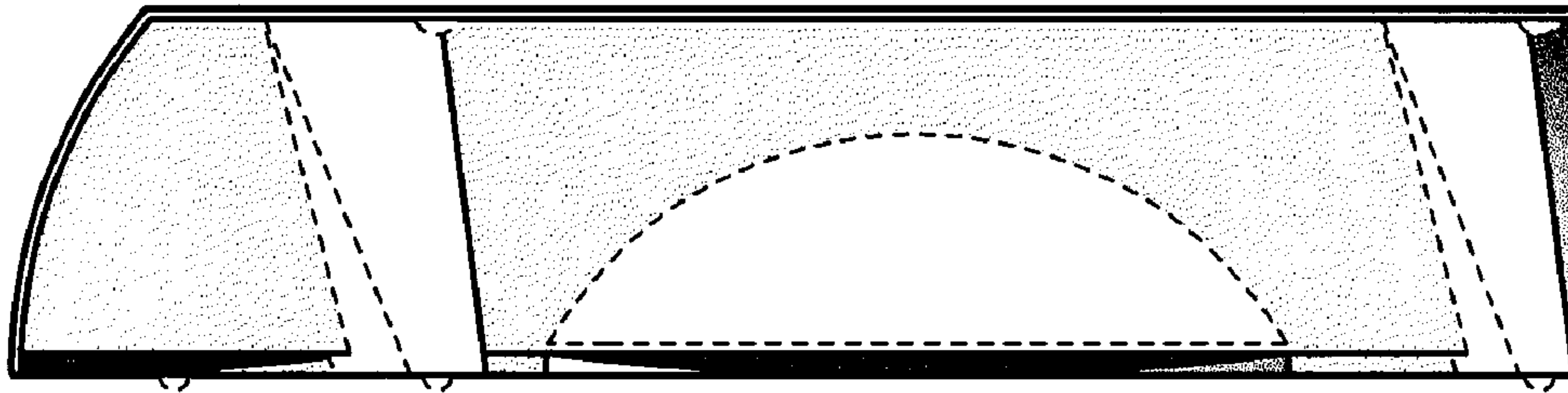


FIG. 8

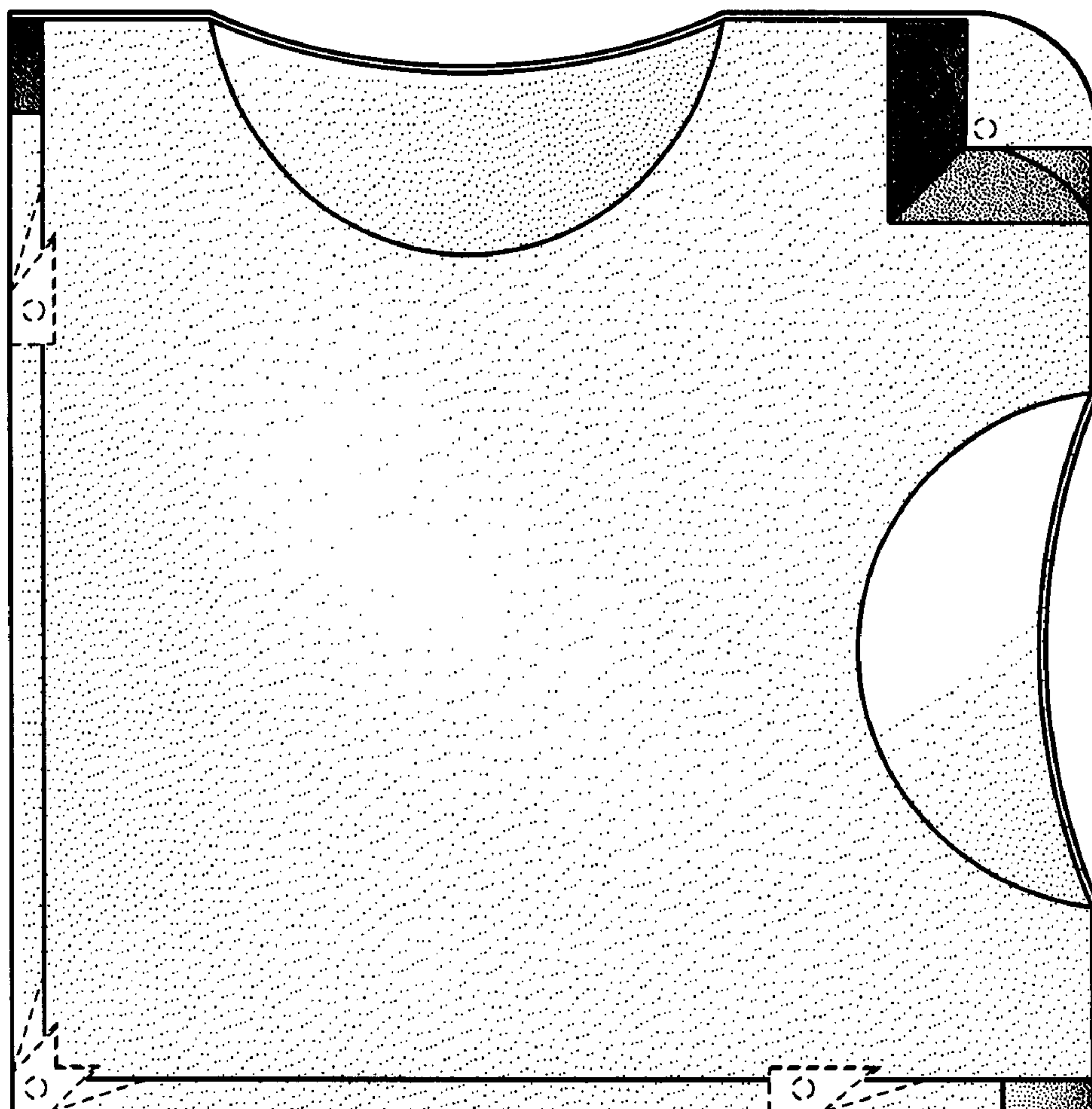


FIG. 9

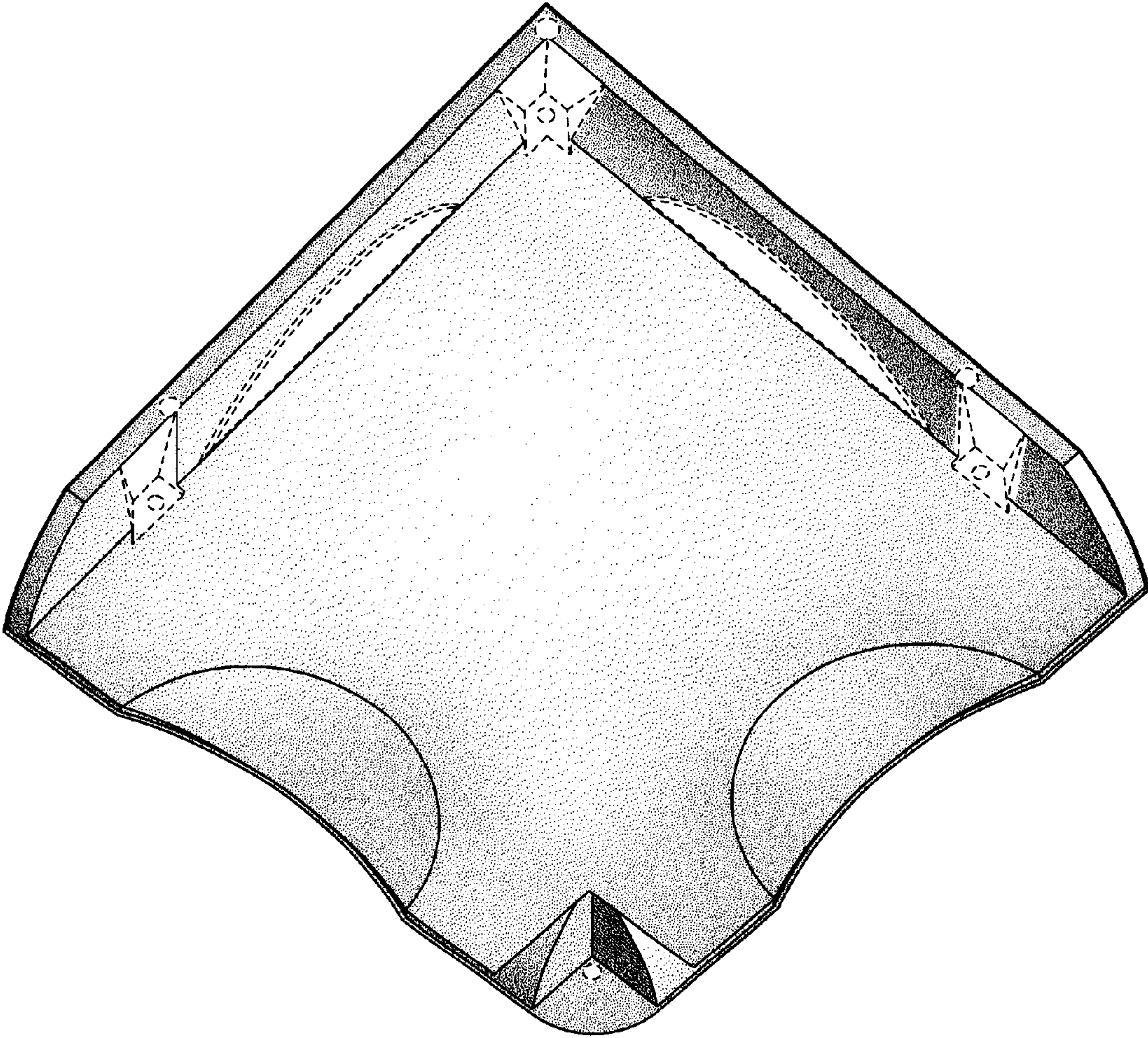


FIG. 10

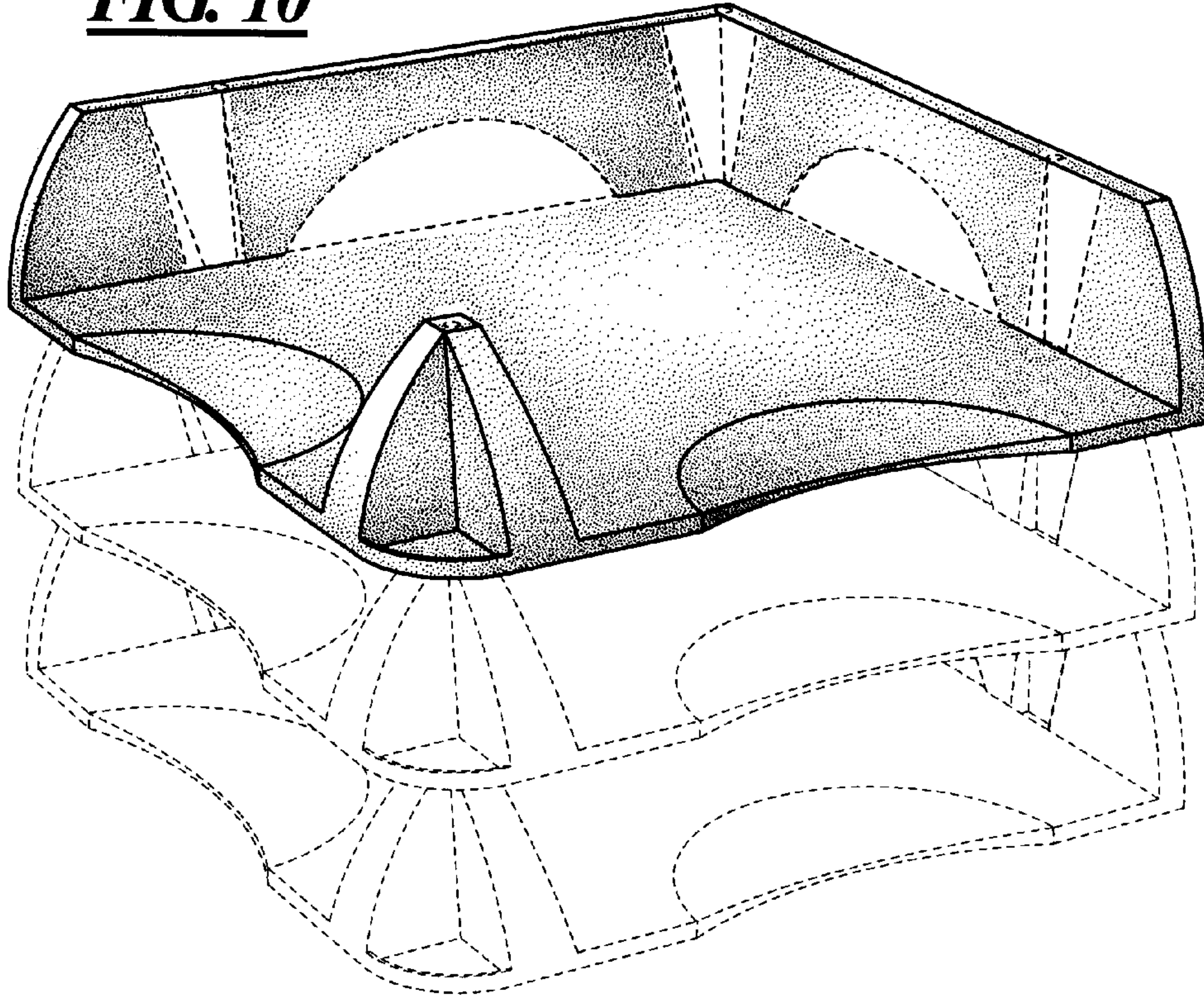


FIG. 11

