



US00D514622S

(12) **United States Design Patent**  
**Yoshida**

(10) **Patent No.:** **US D514,622 S**  
(45) **Date of Patent:** **\*\* Feb. 7, 2006**

(54) **DOCUMENT HOLDER**

(75) Inventor: **Tsukasa Yoshida**, Tokyo (JP)

(73) Assignee: **NS Planning Inc.**, Tokyo (JP)

(\*\*) Term: **14 Years**

(21) Appl. No.: **29/216,444**

(22) Filed: **Nov. 4, 2004**

(30) **Foreign Application Priority Data**

May 6, 2004 (JP) ..... 2004-013427

(51) **LOC (8) Cl.** ..... **19-02**

(52) **U.S. Cl.** ..... **D19/90**

(58) **Field of Classification Search** ..... D8/373,  
D8/394, 395; D19/75, 86, 87, 88, 90, 91,  
D19/99, 100, 65; 40/343, 345; 248/220.21,  
248/229.16, 229.26, 230.7, 231.81, 441.1,  
248/442.2, 445; 24/67 R, 67.3

See application file for complete search history.

(56) **References Cited**

**U.S. PATENT DOCUMENTS**

1,997,048 A \* 4/1935 Demmy ..... 248/300  
D266,858 S \* 11/1982 Cole ..... D19/90

D371,163 S \* 6/1996 Berger et al. .... D19/75  
5,528,796 A \* 6/1996 Perry et al. .... 16/355  
D387,922 S \* 12/1997 Dormon et al. .... D6/418  
D392,679 S \* 3/1998 Crist et al. .... D19/88

\* cited by examiner

*Primary Examiner*—Jeffrey Asch

*Assistant Examiner*—Elizabeth Albert

(74) *Attorney, Agent, or Firm*—Sughrue Mion, PLLC

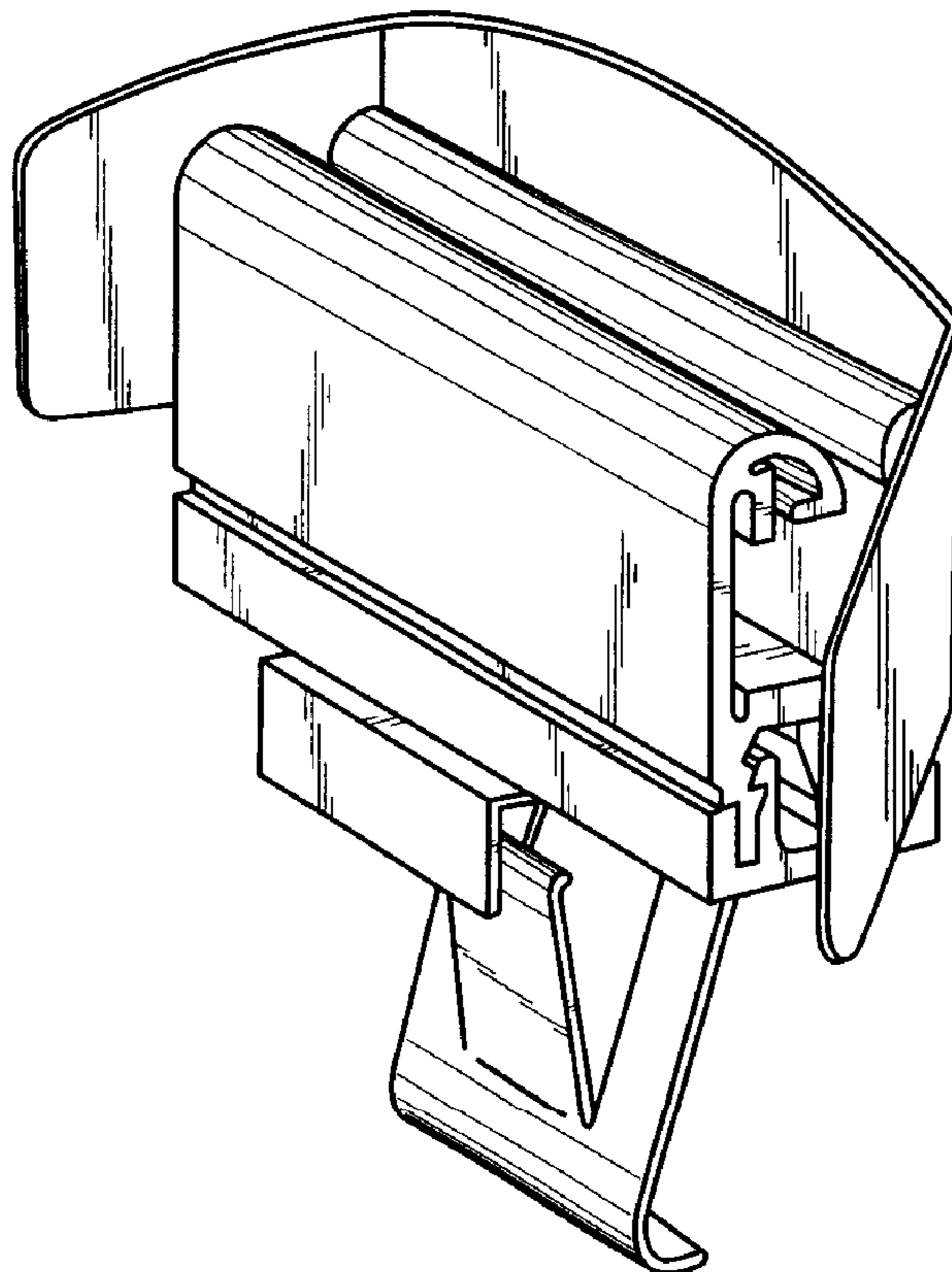
(57) **CLAIM**

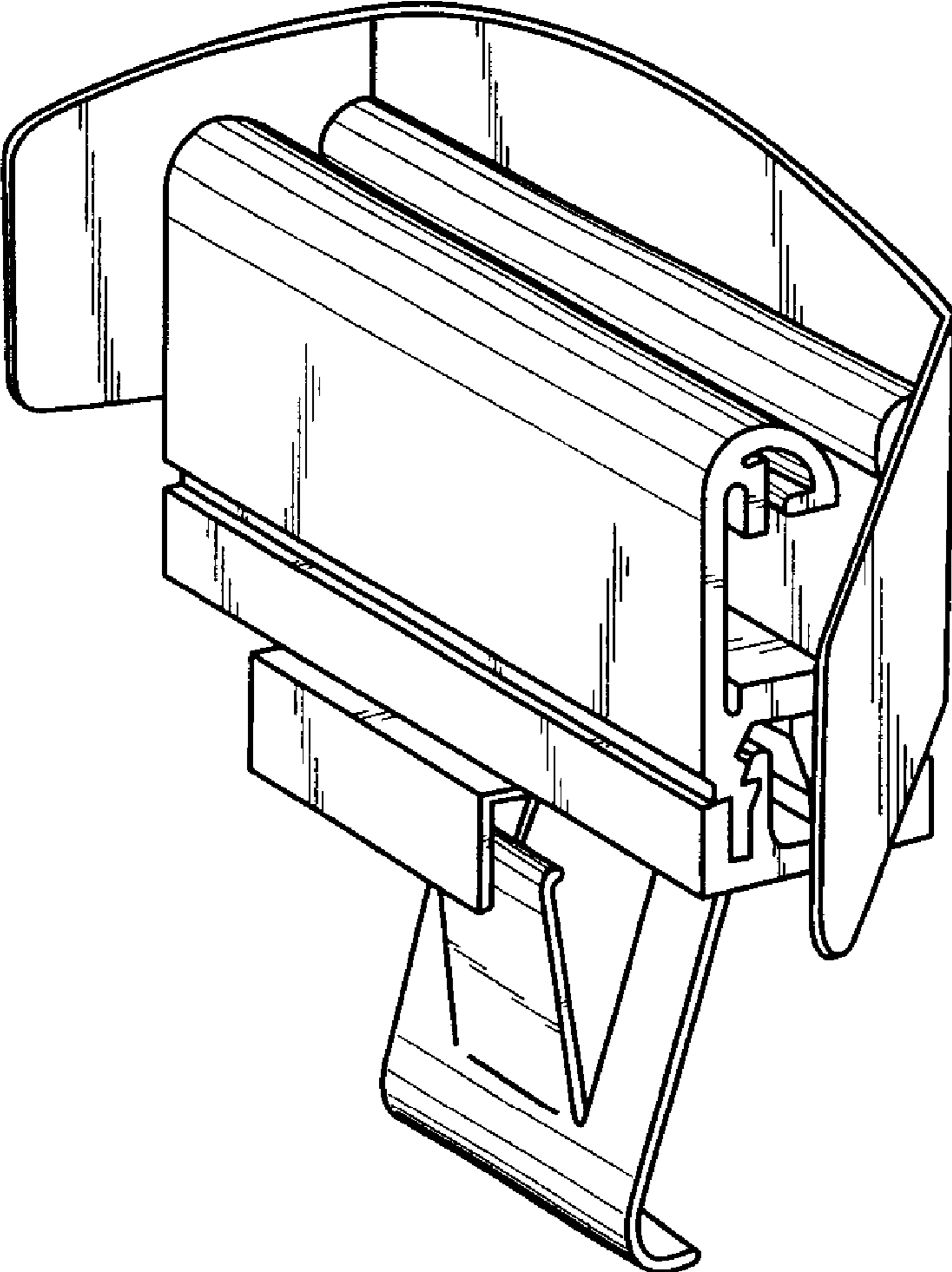
The ornamental design for a document holder, as shown and described.

**DESCRIPTION**

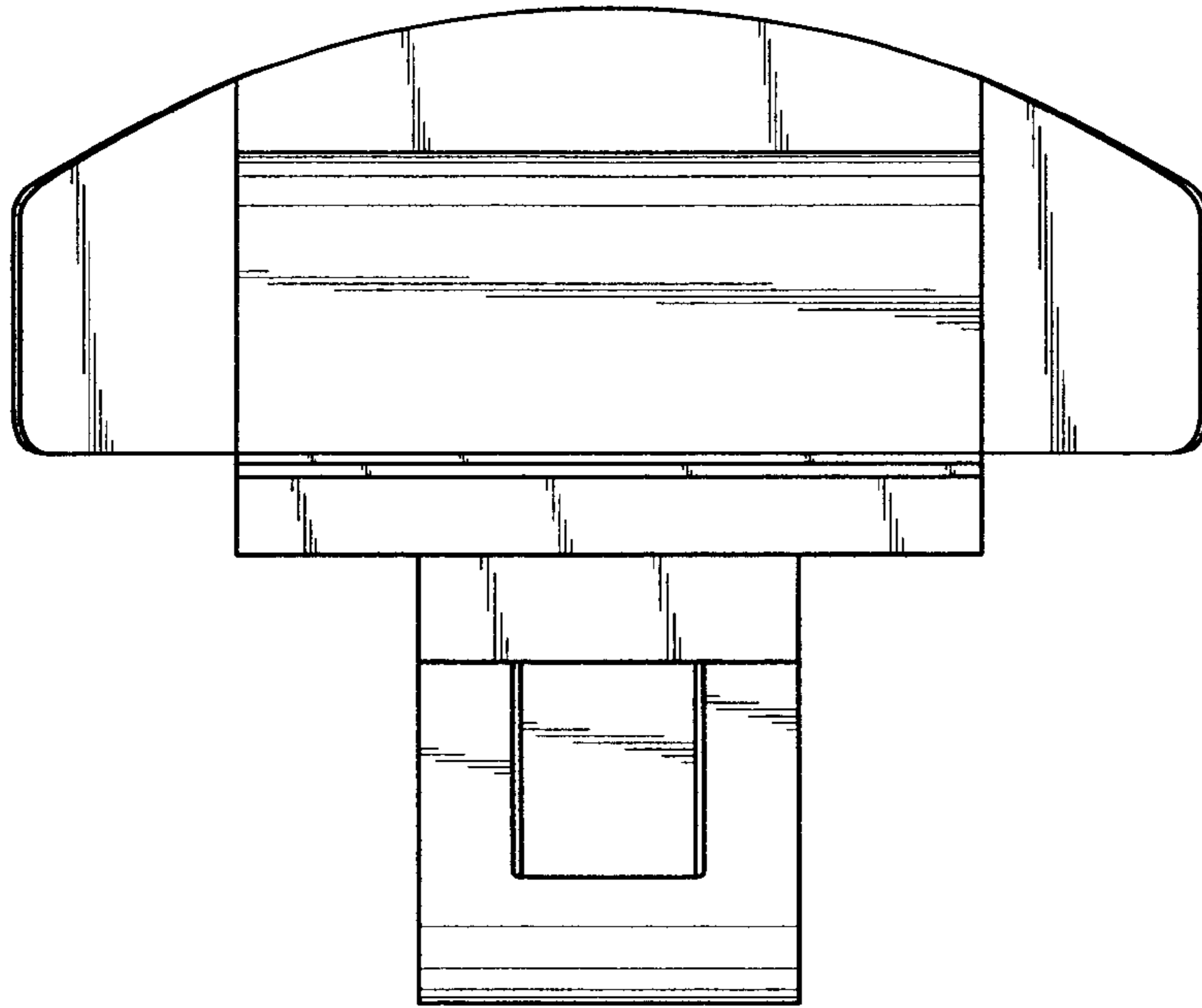
FIG. 1 is a perspective view of the top, front and right side of a document holder showing my new design; FIG. 2 is a front elevational view thereof; FIG. 3 is a rear elevational view thereof; FIG. 4 is a top plan view thereof; FIG. 5 is a bottom plan view thereof; FIG. 6 is a right side elevational view, the left side elevational view being a mirror image thereof; and, FIG. 7 is a perspective view showing the equipment in use. The elements shown in broken lines are for illustrative purposes only and form no part of the claimed design.

**1 Claim, 4 Drawing Sheets**

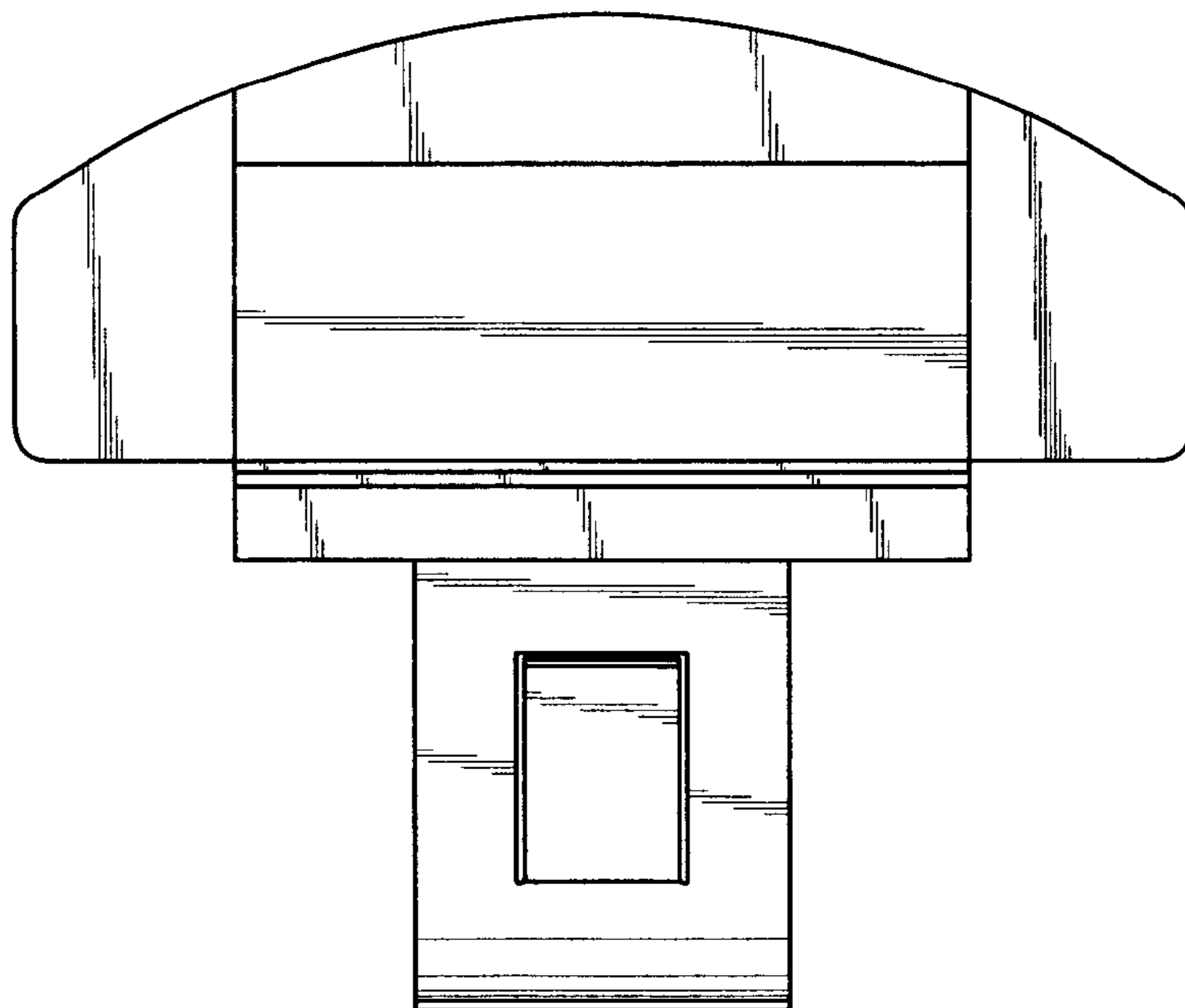




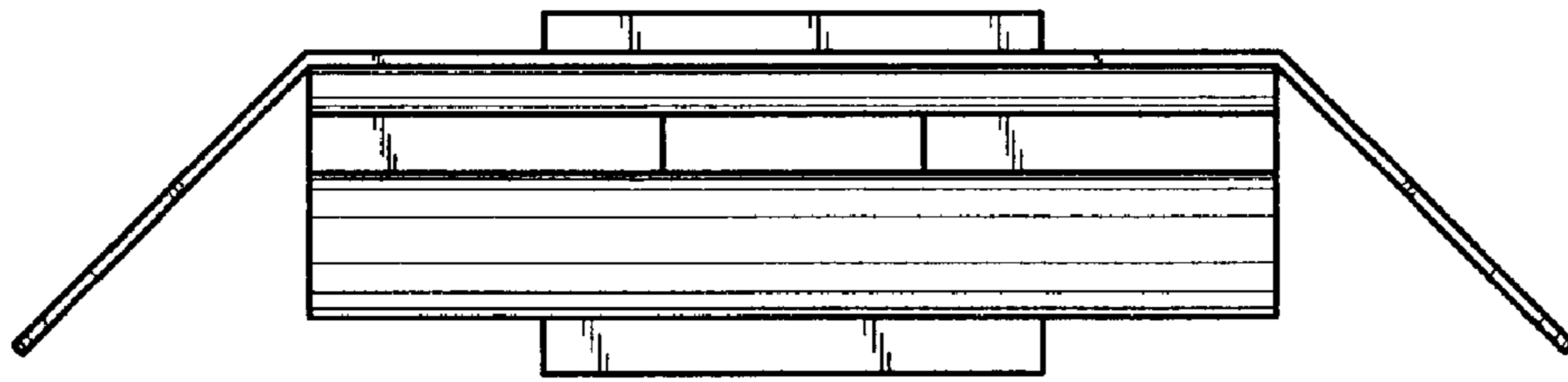
*Fig. 1*



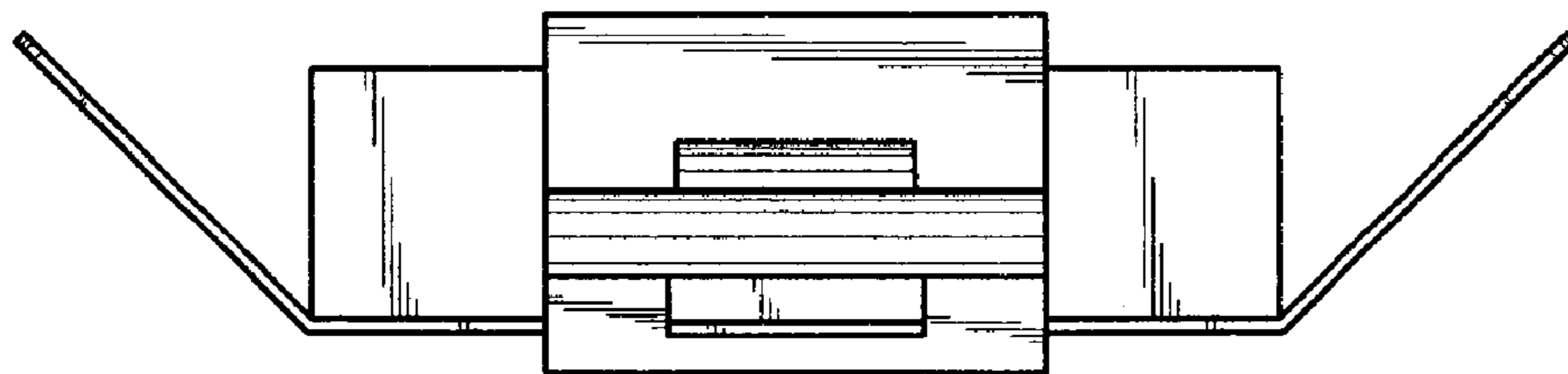
*Fig. 2*



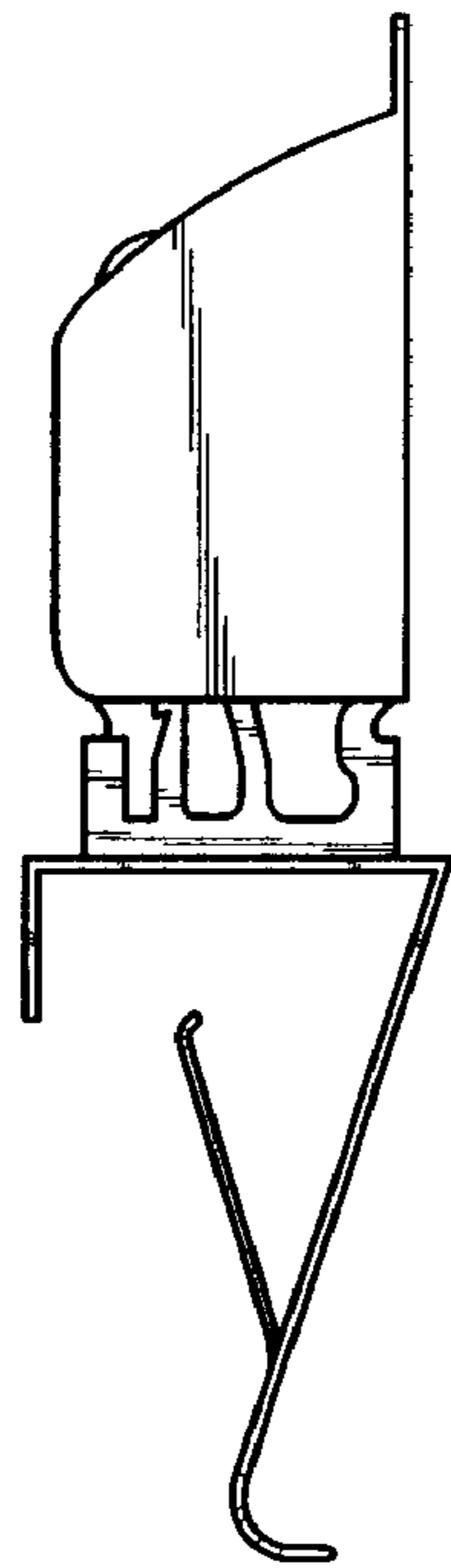
*Fig. 3*



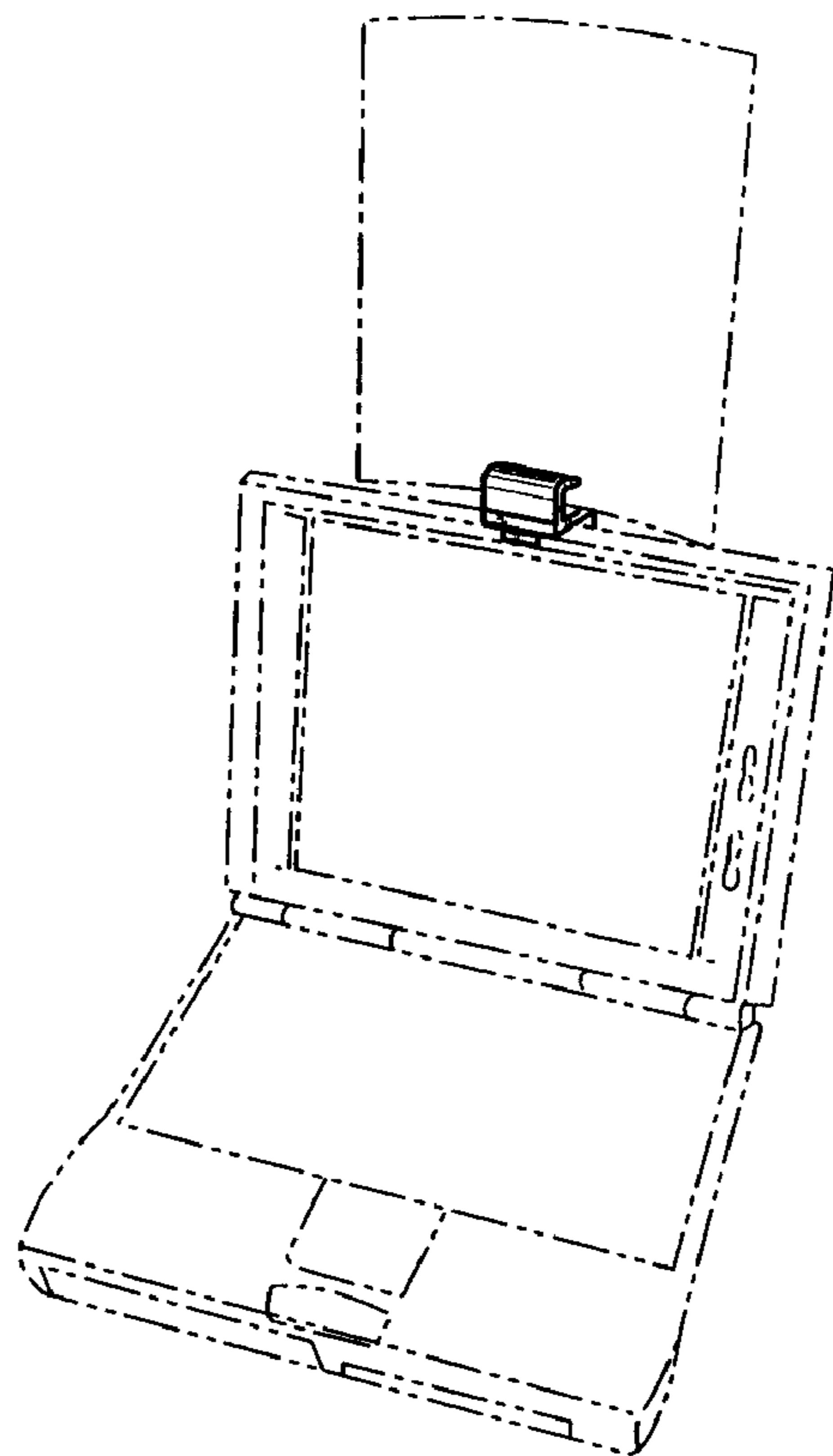
*Fig. 4*



*Fig. 5*



*Fig. 6*



*Fig. 7*