



US00D514621S

(12) **United States Design Patent**
Cheng

(10) **Patent No.:** **US D514,621 S**
(45) **Date of Patent:** **** Feb. 7, 2006**

- (54) **END TREATMENT FOR A RING MECHANISM**
- (75) Inventor: **Hung Yu Cheng, Hong Kong (HK)**
- (73) Assignee: **World Wide Stationery Manufacturing Company, Limited, Kwai Chung (HK)**
- (**) Term: **14 Years**
- (21) Appl. No.: **29/193,545**
- (22) Filed: **Nov. 10, 2003**
- (51) **LOC (8) Cl.** **19-04**
- (52) **U.S. Cl.** **D19/32**
- (58) **Field of Classification Search** D19/26, D19/27, 28, 29, 30, 31, 32, 33; 281/27.1, 281/27.2, 27.3; 402/1, 3, 4, 31, 32, 33, 34, 402/35, 36, 37, 38, 39, 40, 41, 43
See application file for complete search history.

6,146,042 A	11/2000	To et al.	
6,217,247 B1 *	4/2001	Ng	402/36
D457,559 S	5/2002	To	
D459,392 S *	6/2002	Xu	D19/32
D473,897 S *	4/2003	To	D19/32
6,758,621 B2 *	7/2004	To	402/19
2003/0026643 A1	2/2003	To	
2003/0053849 A1	3/2003	To et al.	

FOREIGN PATENT DOCUMENTS

CA 98524 2/2003

* cited by examiner

Primary Examiner—Jeffrey Asch
Assistant Examiner—Elizabeth Albert
(74) *Attorney, Agent, or Firm*—Senniger Powers

(57) **CLAIM**

The ornamental design for an end treatment for a ring mechanism, as shown and described.

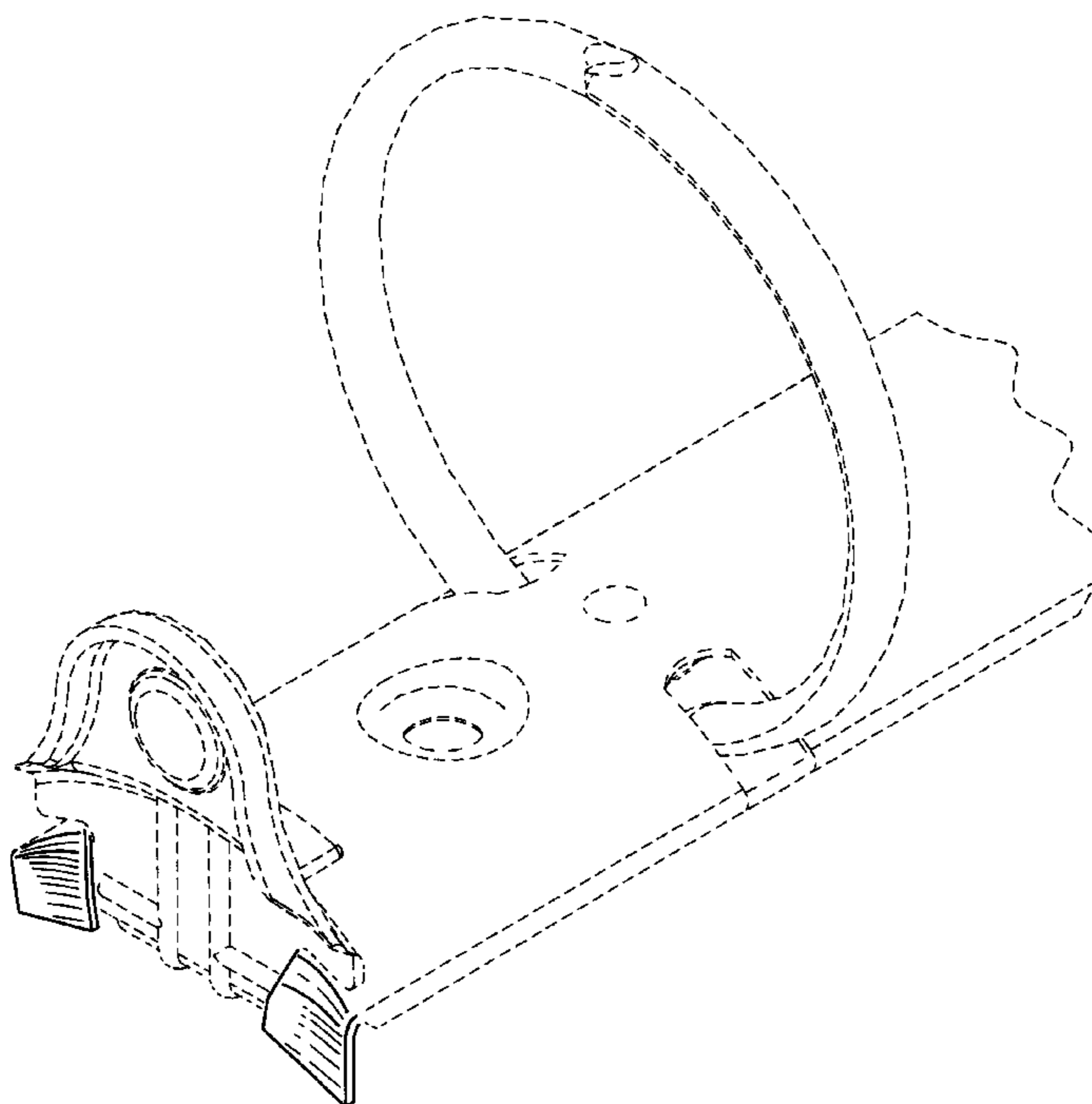
DESCRIPTION

FIG. 1 is a perspective view of an end treatment for a ring mechanism showing my new design;
FIG. 2 is an enlarged fragmentary perspective view of FIG. 1;
FIG. 3 is a front elevation view thereof;
FIG. 4 is a right side elevation view thereof, the left side elevation view being a mirror image; and,
FIG. 5 is a bottom plan view thereof.
The broken lines shown in the drawings indicate structure and features which form no part of the claimed design.

(56) **References Cited**
U.S. PATENT DOCUMENTS

3,884,586 A	5/1975	Michaelis et al.	
4,522,526 A	6/1985	Lozfau et al.	
4,813,803 A	3/1989	Gross	
D397,146 S *	8/1998	Chan	D19/32
5,842,807 A	12/1998	To	
D408,851 S	4/1999	To	
5,971,649 A *	10/1999	To	402/36
6,045,286 A	4/2000	Tung	
D426,571 S	6/2000	To	
D433,445 S	11/2000	To	
D434,071 S	11/2000	To	

1 Claim, 5 Drawing Sheets



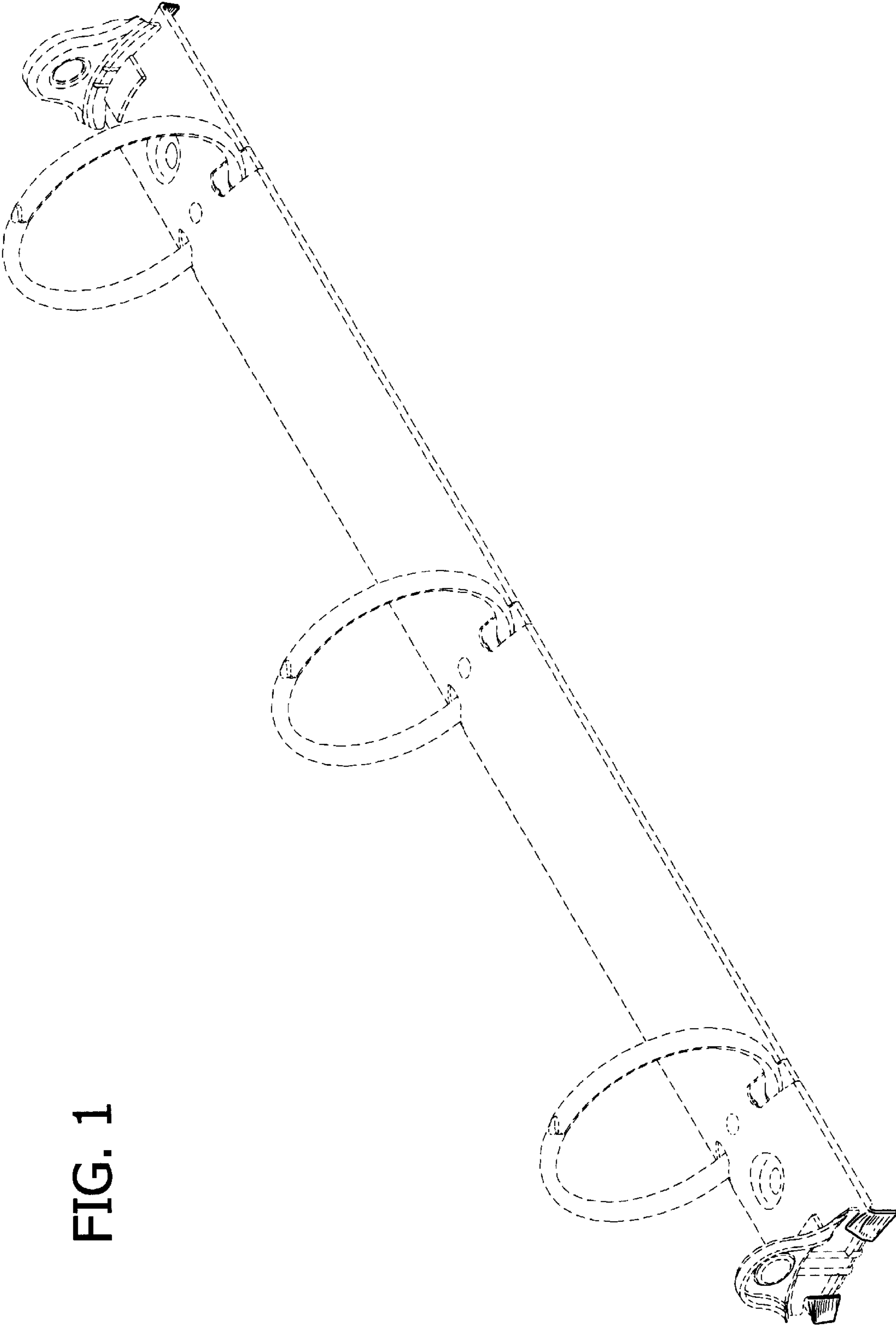


FIG. 1

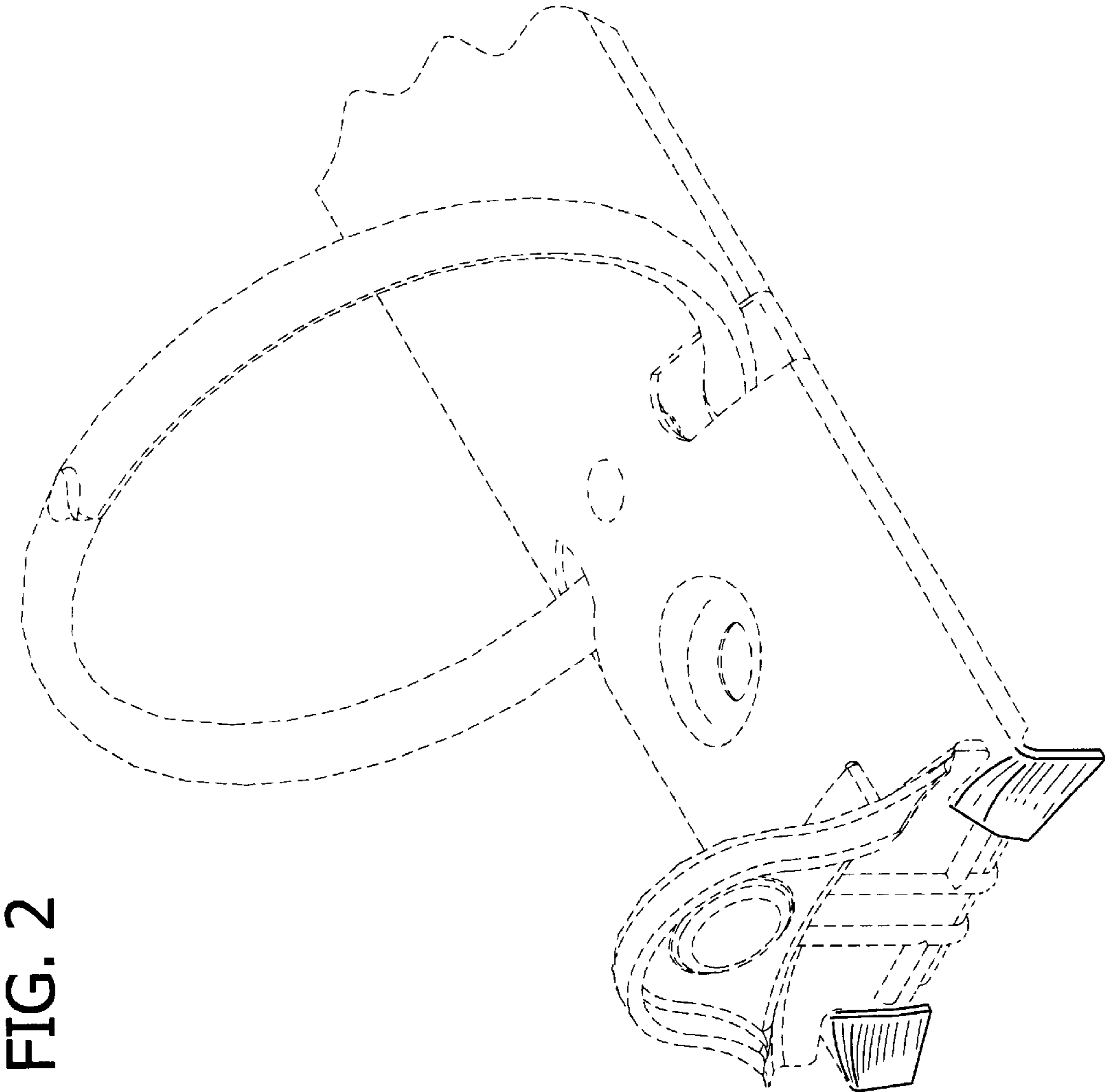


FIG. 2

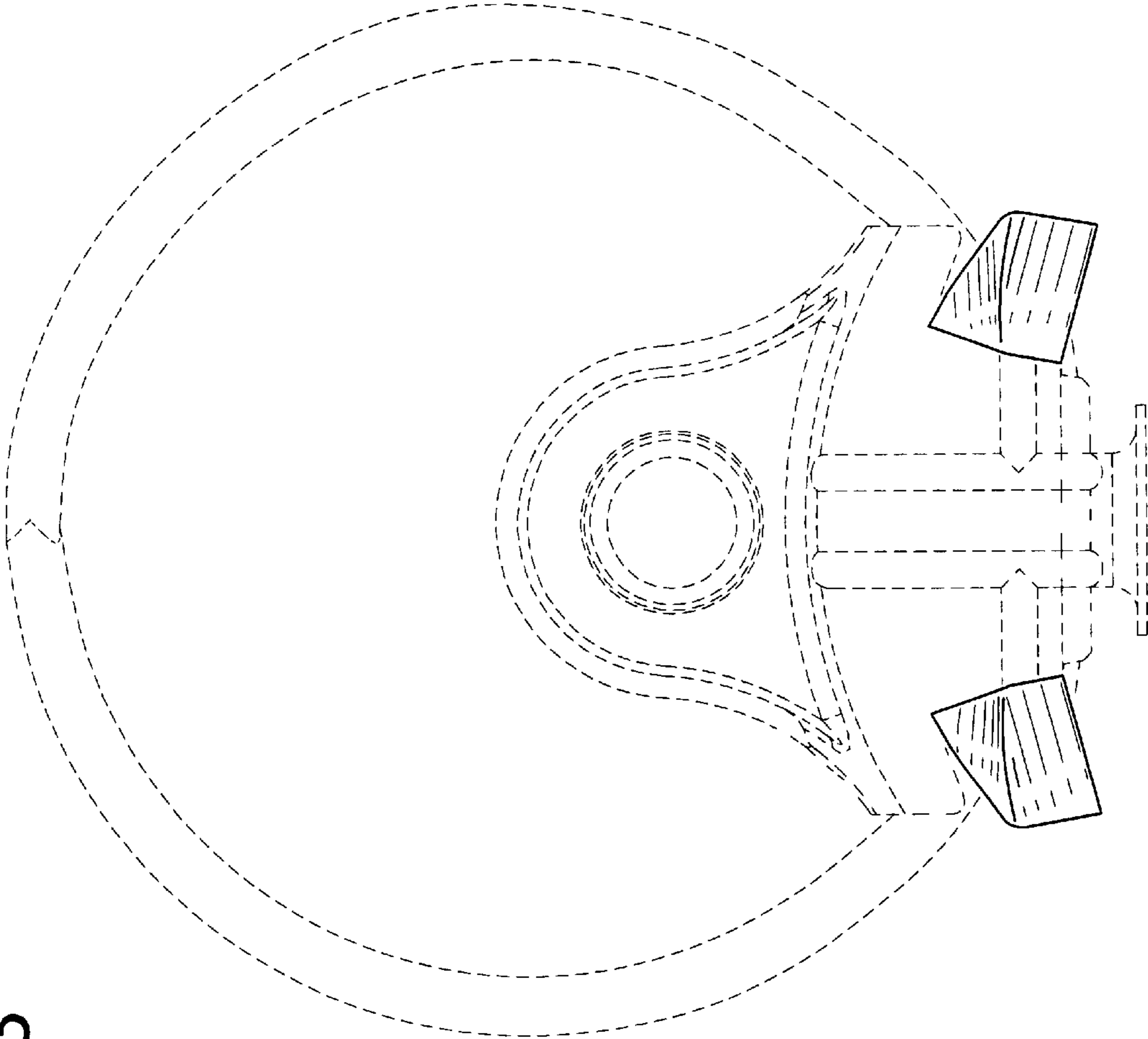


FIG. 3

FIG. 4

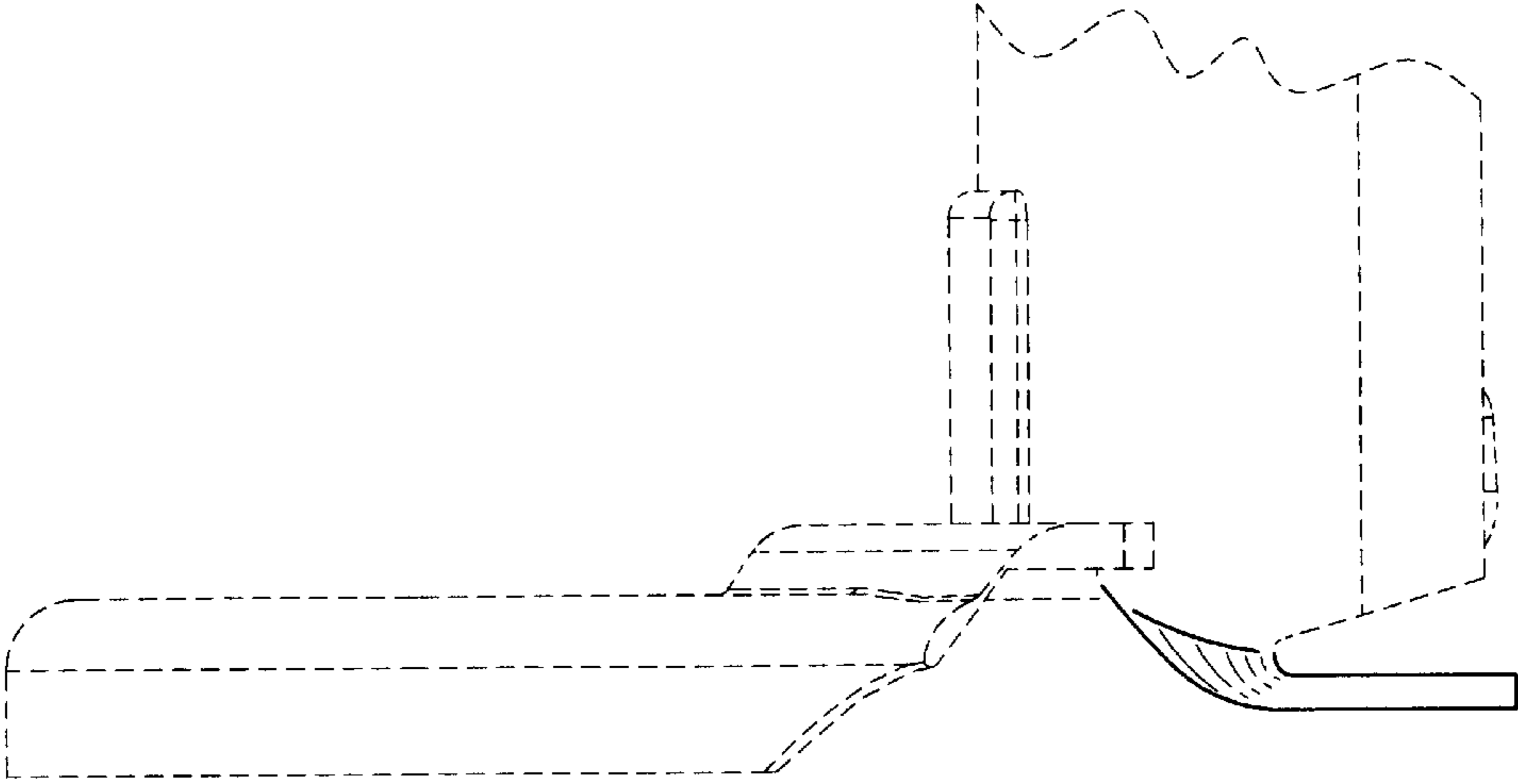


FIG. 5

