



US00D514620S

(12) **United States Design Patent** (10) **Patent No.:** **US D514,620 S**
Brann (45) **Date of Patent:** **** Feb. 7, 2006**

(54) **BINDER WITH INNER STORAGE POCKET**

(75) Inventor: **Michael K. Brann**, Hyde Park, OH (US)

(73) Assignee: **MeadWestvaco Corporation**, Stamford, CT (US)

(**) Term: **14 Years**

(21) Appl. No.: **29/182,882**

(22) Filed: **Jun. 3, 2003**

(51) **LOC (8) Cl.** **19-04**

(52) **U.S. Cl.** **D19/27**

(58) **Field of Classification Search** D2/839,
D2/857; D3/247, 303, 900, 902; D19/26,
D19/27, 28, 29, 30, 31, 32, 33; 190/100,
190/102, 104, 109, 110, 111, 900, 902, 903,
190/112, 901; 206/472; 281/15.1, 19.1, 21.1,
281/27.1, 27.2, 27.3, 29, 31, 34, 38, 40, 51;
383/39; 402/70, 73, 74

See application file for complete search history.

(56) **References Cited**

U.S. PATENT DOCUMENTS

2,020,797 A * 11/1935 Pabst, Jr. 206/39.4
2,477,840 A * 8/1949 Vasilas 150/136
D202,756 S * 11/1965 Schelessinger D3/249
3,933,229 A * 1/1976 Pelavin 206/287.1
4,513,866 A * 4/1985 Thomas 206/570
4,609,084 A * 9/1986 Thomas 190/110
D351,944 S * 11/1994 Faichney et al. D3/228
D375,404 S * 11/1996 Moffitt D3/228
D382,900 S 8/1997 Wyant
5,676,223 A * 10/1997 Cunningham 190/109
D391,605 S 3/1998 Wyant
D393,504 S * 4/1998 Eisman D30/162
5,779,033 A * 7/1998 Roegner 206/6.1
5,881,850 A * 3/1999 Murdoch 190/110
D412,059 S * 7/1999 White et al. D3/215
5,924,558 A * 7/1999 De Mayo 206/5
5,924,565 A * 7/1999 Colee 206/317
D415,196 S 10/1999 Moor

6,109,402 A * 8/2000 Godshaw et al. 190/108
D433,565 S * 11/2000 Kojoori D3/249
D434,803 S * 12/2000 Eskandry D19/78
6,161,979 A * 12/2000 Yamamoto et al. 402/73
6,318,552 B1 * 11/2001 Godshaw 206/320
D480,867 S * 10/2003 Snider et al. D3/228
6,739,784 B1 * 5/2004 Tims et al. 402/73
D496,879 S * 10/2004 Puett, III D11/172
2002/0153074 A1 * 10/2002 Chen et al. 150/113
2003/0218038 A1 * 11/2003 Chang 224/647
2004/0099496 A1 * 5/2004 Hollingsworth 190/111

* cited by examiner

Primary Examiner—Jeffrey Asch

Assistant Examiner—Elizabeth Albert

(74) *Attorney, Agent, or Firm*—Thompson Hine LLP

(57) **CLAIM**

The ornamental design for a binder with inner storage pocket, as shown and described.

DESCRIPTION

FIG. 1 is a front perspective view of the binder with inner storage pocket of the present invention, the binder being shown in its closed position.

FIG. 2 is a front perspective view of the binder of FIG. 1, with the binder in its open position and showing the inner storage pocket;

FIG. 3 is a front view of the binder and storage pocket of FIG. 2;

FIG. 4 is a rear view of the binder of FIG. 2;

FIG. 5 is a top end view of the binder and storage pocket of FIG. 2;

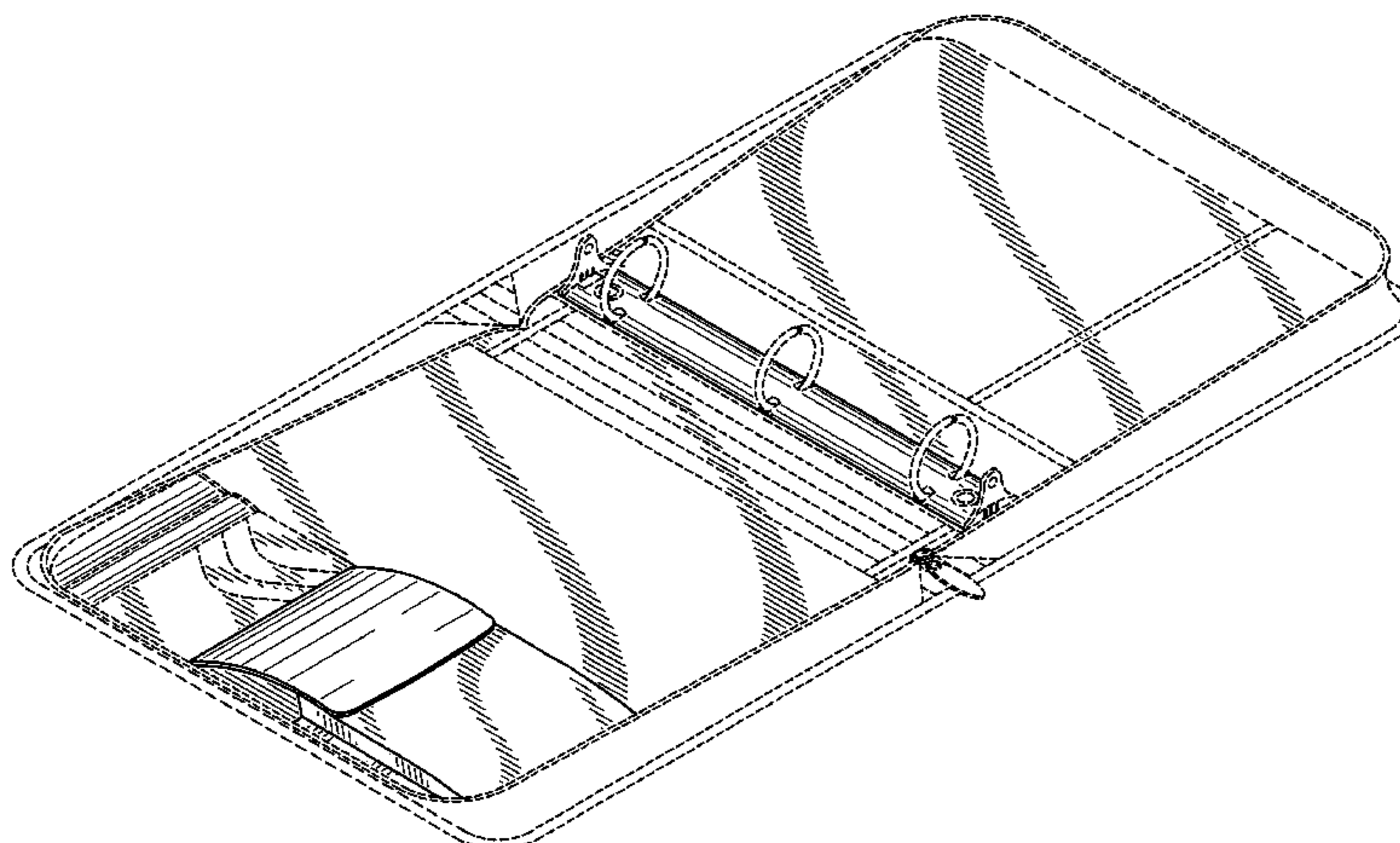
FIG. 6 is a bottom end view of the binder and storage pocket of FIG. 2;

FIG. 7 is a left end view of the binder and storage pocket of FIG. 2; and,

FIG. 8 is a right end view of the binder and storage pocket of FIG. 2.

The broken lines are for illustrative purposes only and do not constitute any part of the claimed design.

1 Claim, 6 Drawing Sheets



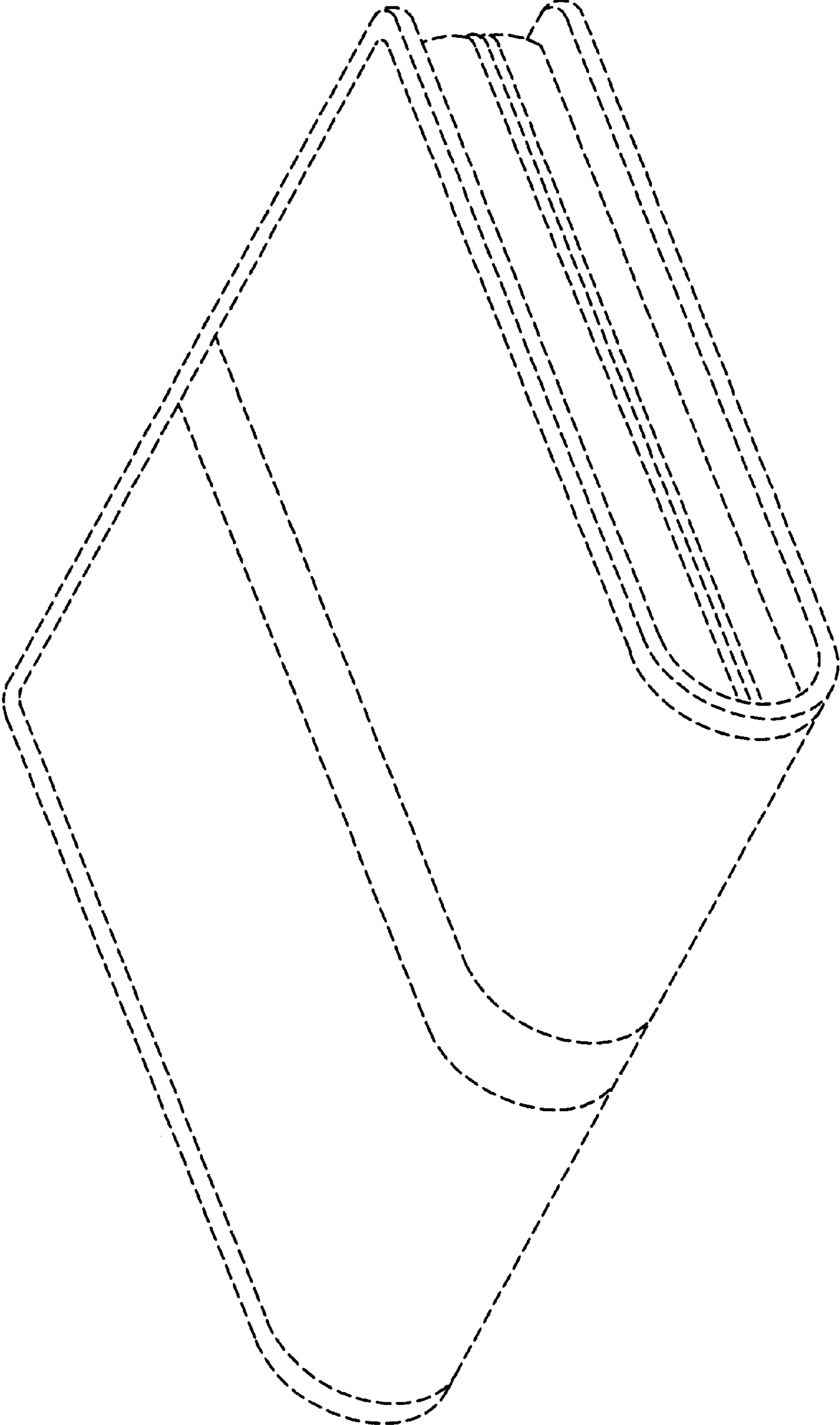


FIG. 1

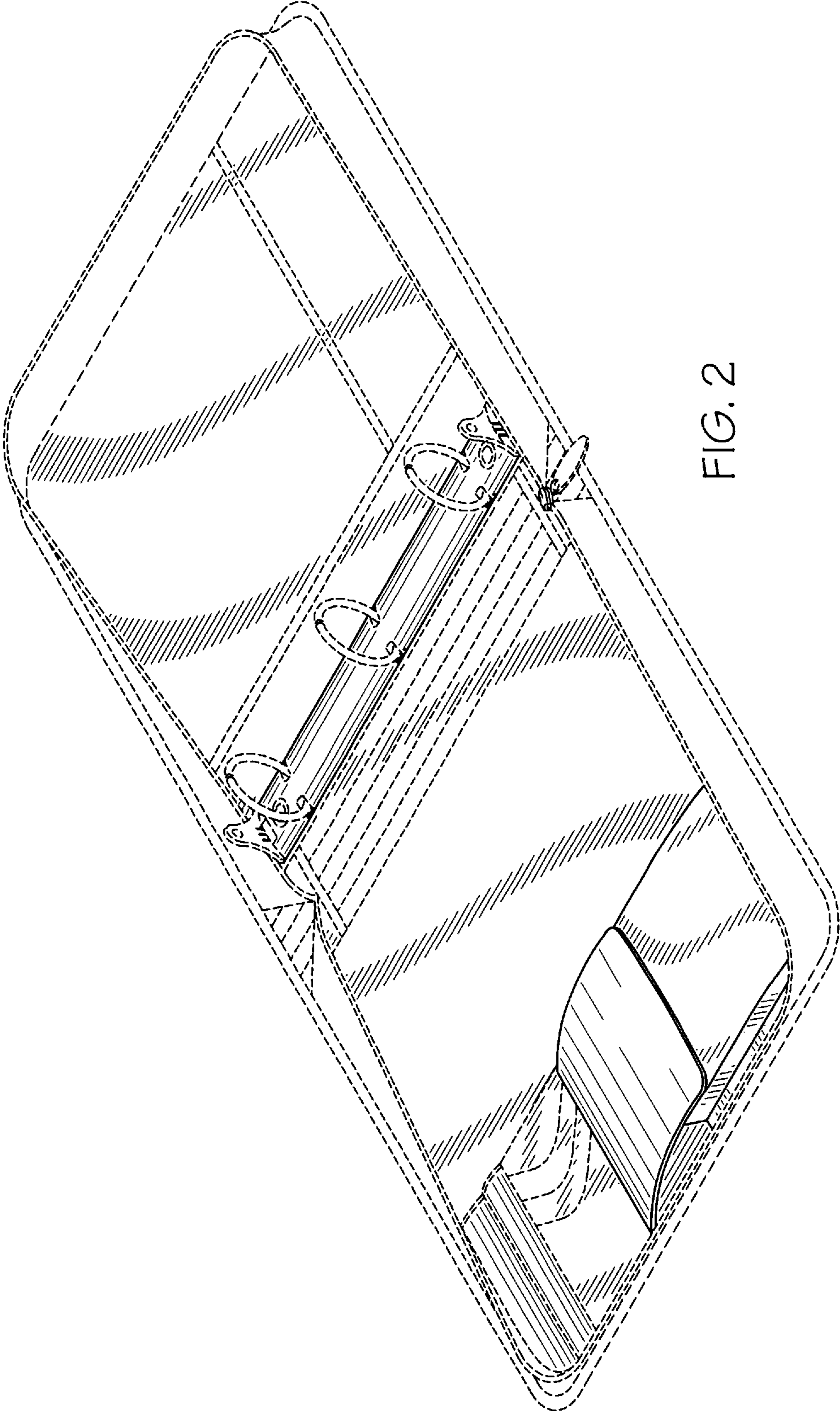


FIG. 2

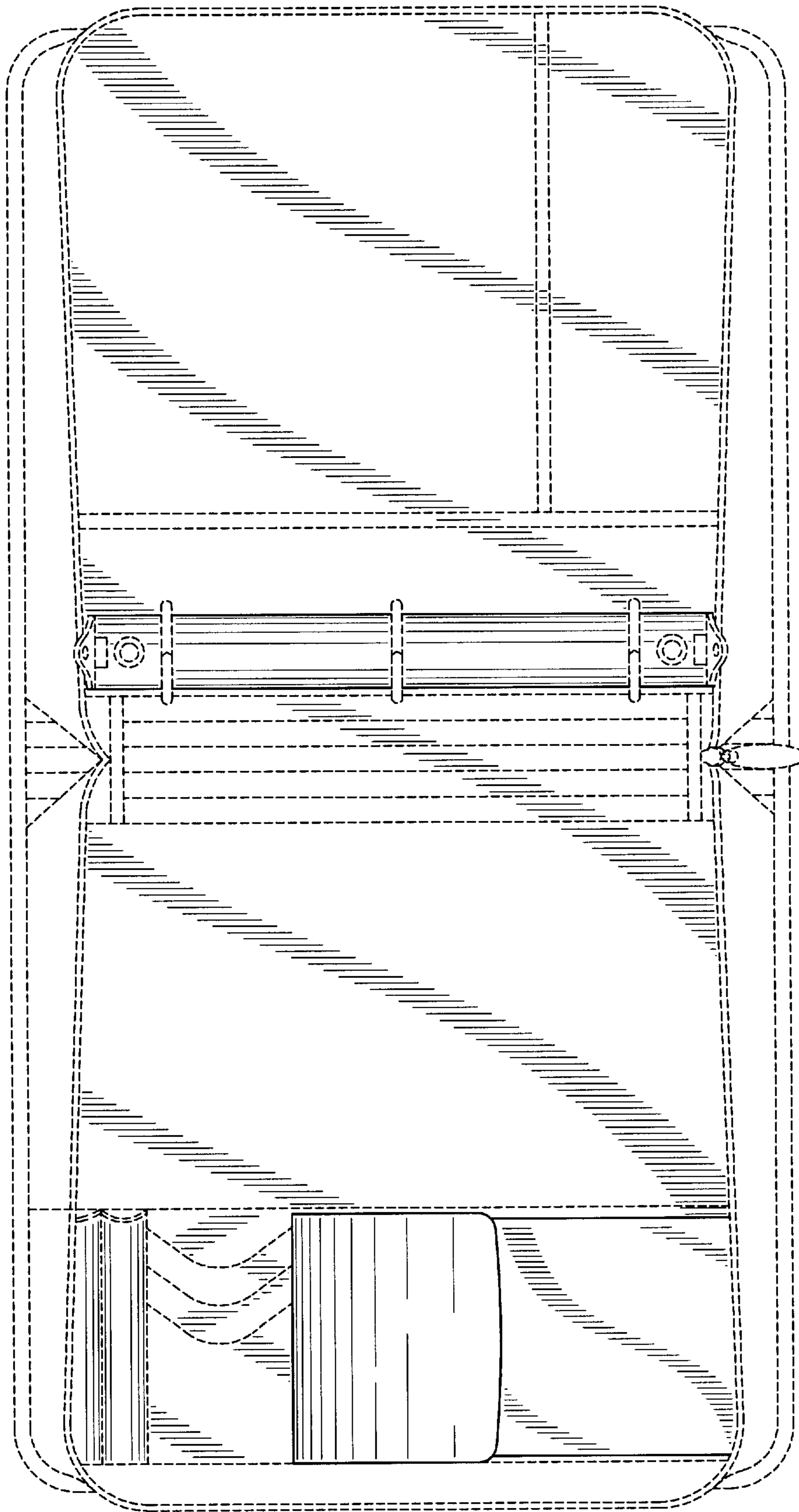


FIG. 3

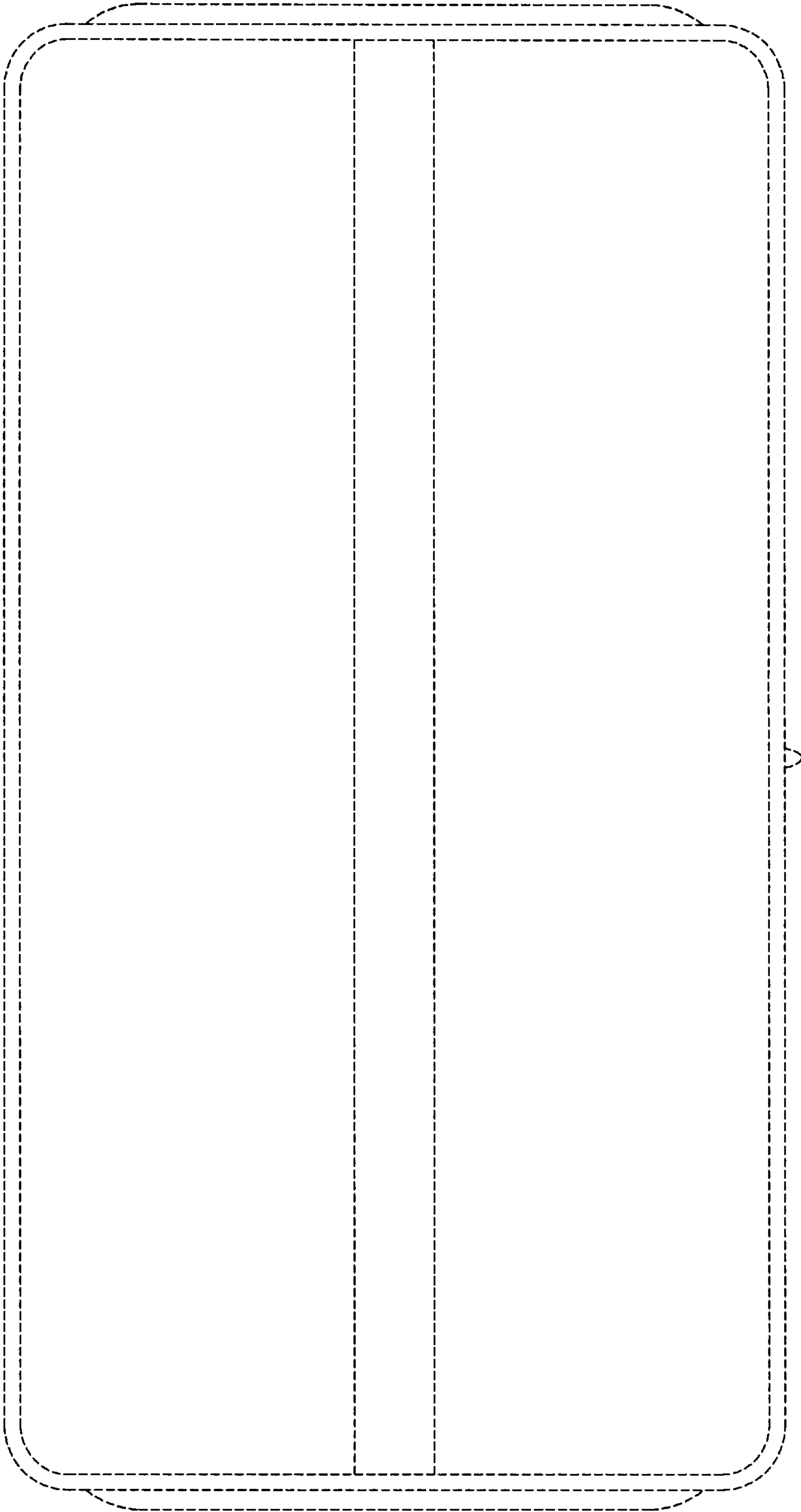


FIG. 4

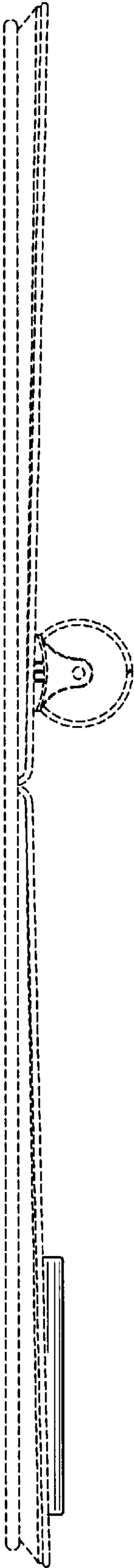


FIG. 5

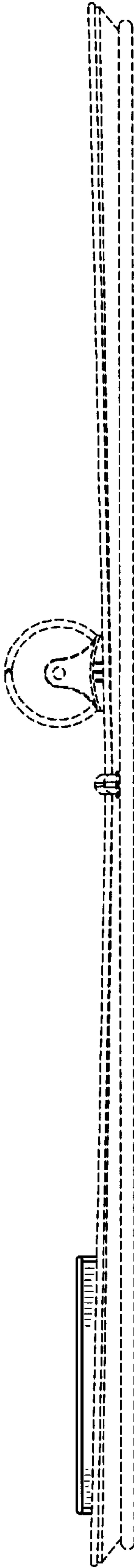


FIG. 6

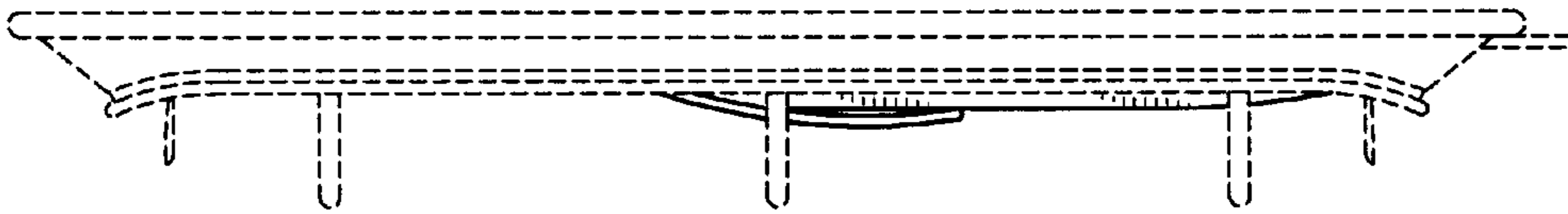


FIG. 8

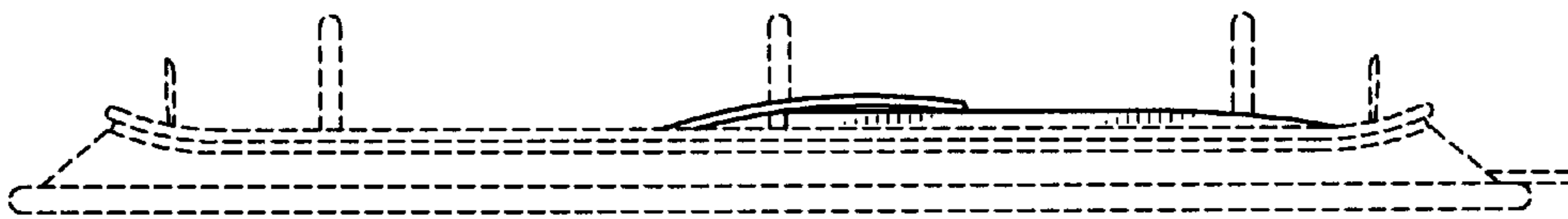


FIG. 7