



US00D514612S

(12) **United States Design Patent**
Boele

(10) **Patent No.:** **US D514,612 S**
(45) **Date of Patent:** **** Feb. 7, 2006**

(54) **PROJECTOR STAND**

(75) Inventor: **Ronald Martijn Boele**, Eindhoven
(NL)

(73) Assignee: **Vogel's Holdin B.V.**, Eindhoven (NL)

(**) Term: **14 Years**

(21) Appl. No.: **29/199,405**

(22) Filed: **Feb. 13, 2004**

(30) **Foreign Application Priority Data**

Aug. 13, 2003 (EM) 000063334-0001

(51) **LOC (8) Cl.** **16-02**

(52) **U.S. Cl.** **D16/235**; D16/242

(58) **Field of Classification Search** D16/221,
D16/225, 237, 235, 242; 248/177.1, 278.1,
248/349.1; 352/243; 396/419

See application file for complete search history.

(56) **References Cited**

U.S. PATENT DOCUMENTS

D78,023 S * 3/1929 Howell D16/242

D160,681 S * 10/1950 Wilcox et al. D16/242
D347,501 S * 5/1994 Chapman D16/242
6,481,686 B1 * 11/2002 Jan 248/349.1
6,679,467 B1 * 1/2004 Softness 248/278.1
D504,305 S * 4/2005 Gillespie et al. D8/355

* cited by examiner

Primary Examiner—Adir Aronovich

(74) *Attorney, Agent, or Firm*—Ladas & Parry LLP

(57) **CLAIM**

The ornamental design for a “projector stand”, as shown.

DESCRIPTION

FIG. 1 is a front perspective view of a projector stand of this invention:

FIG. 2 is a front view thereof;

FIG. 3 is a back view thereof;

FIG. 4 is a right-side view thereof;

FIG. 5 is a left-side view thereof;

FIG. 6 is a top view thereof; and,

FIG. 7 is a bottom view thereof.

1 Claim, 2 Drawing Sheets

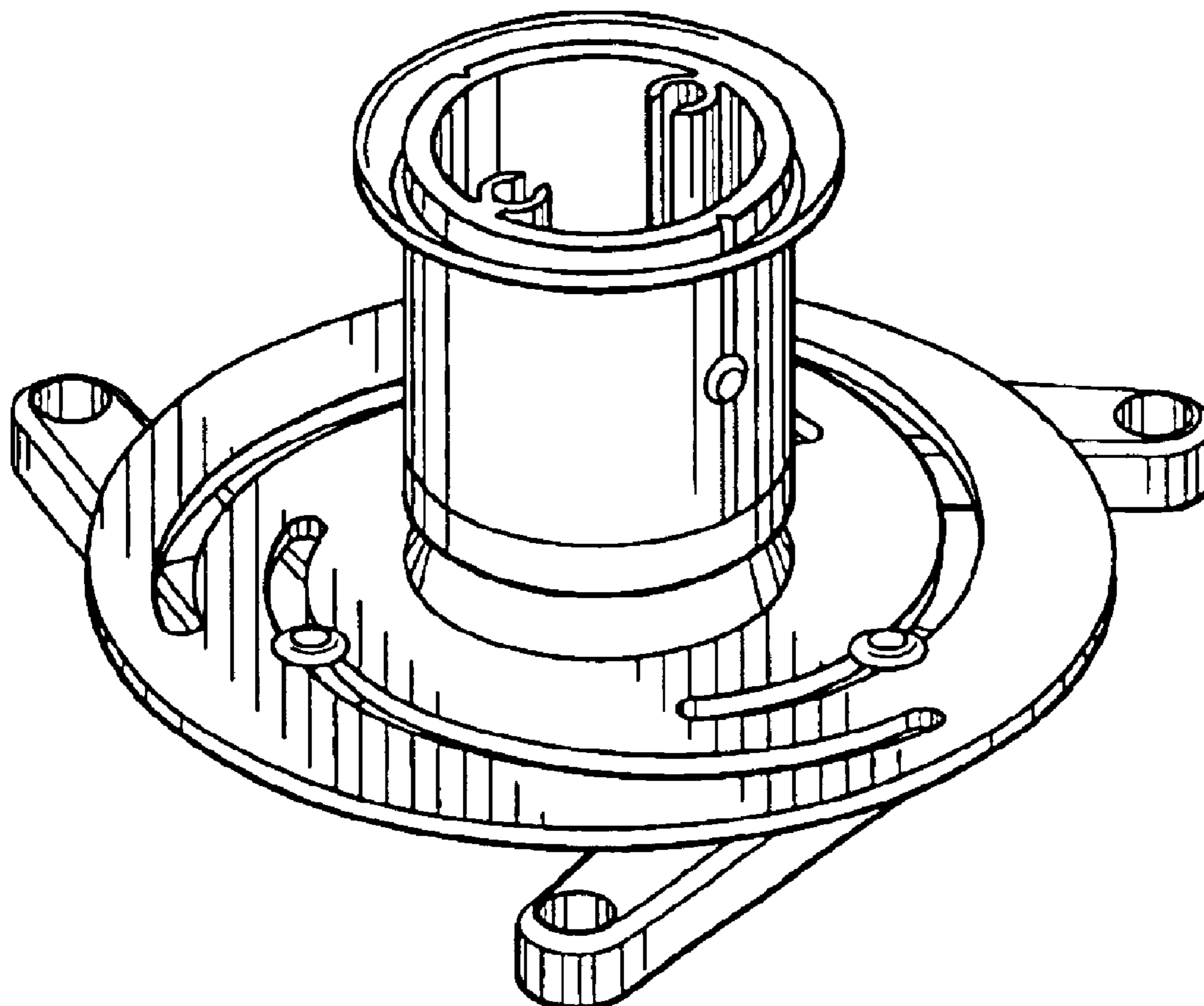


FIG. 1

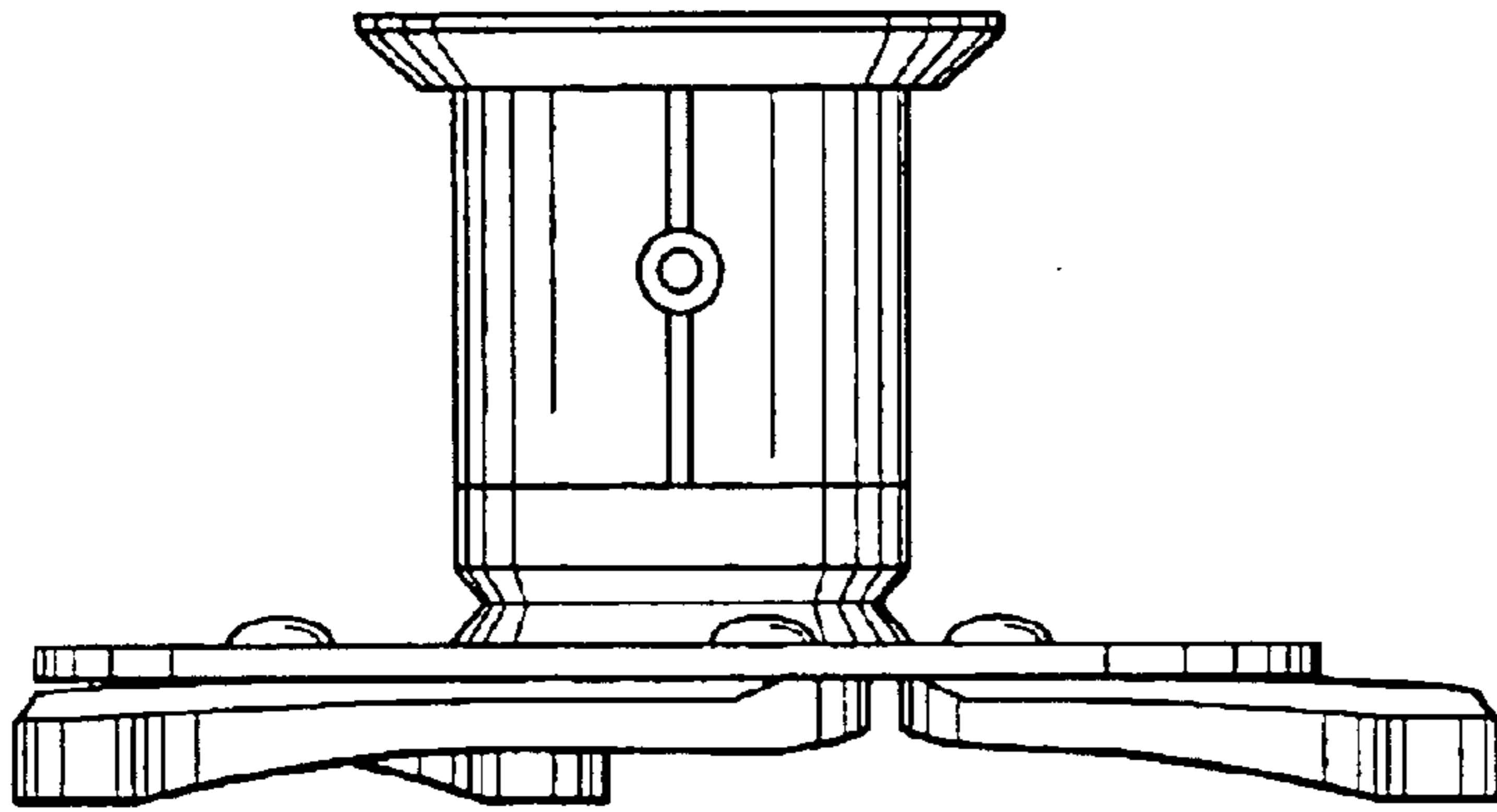
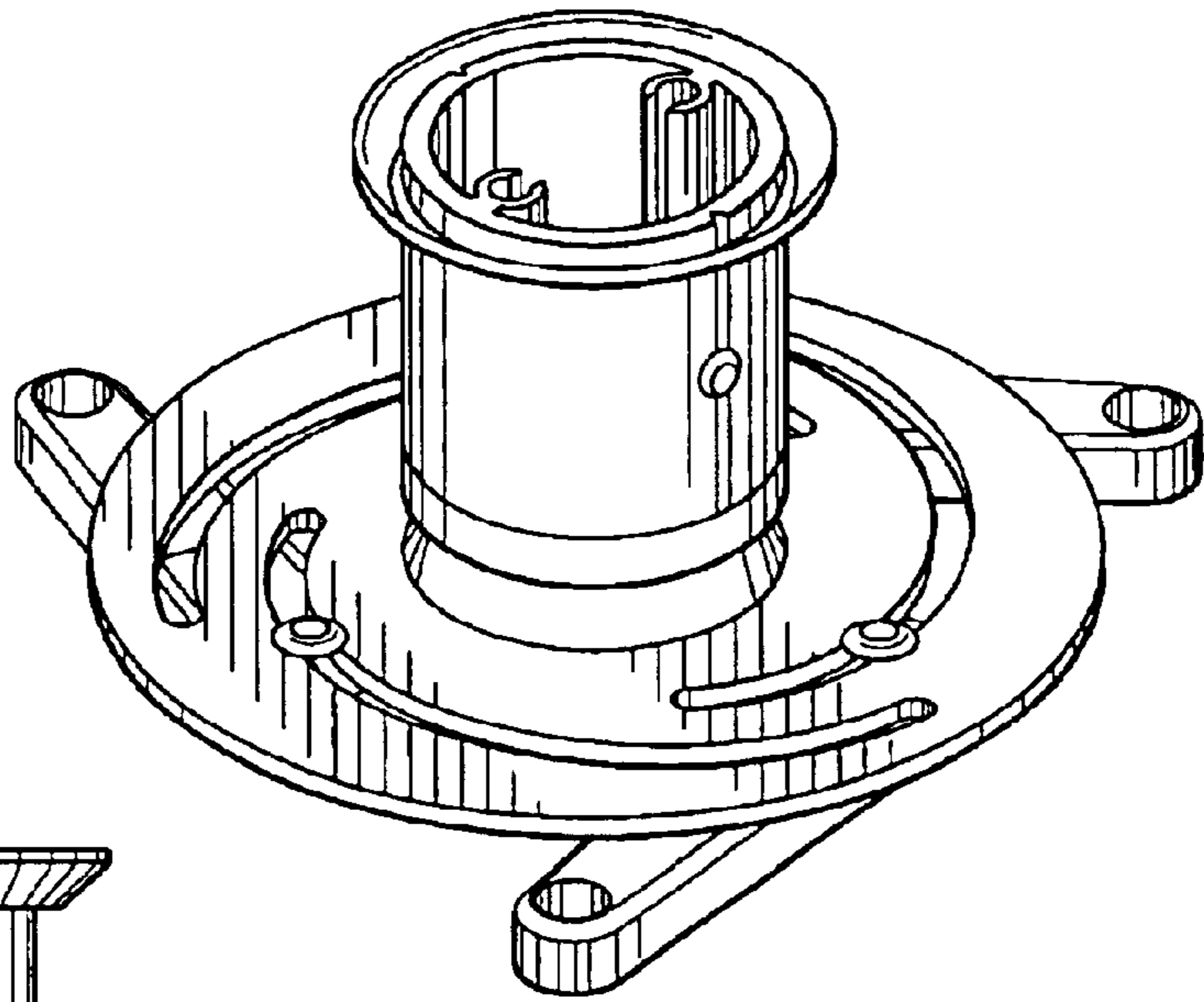


FIG. 2

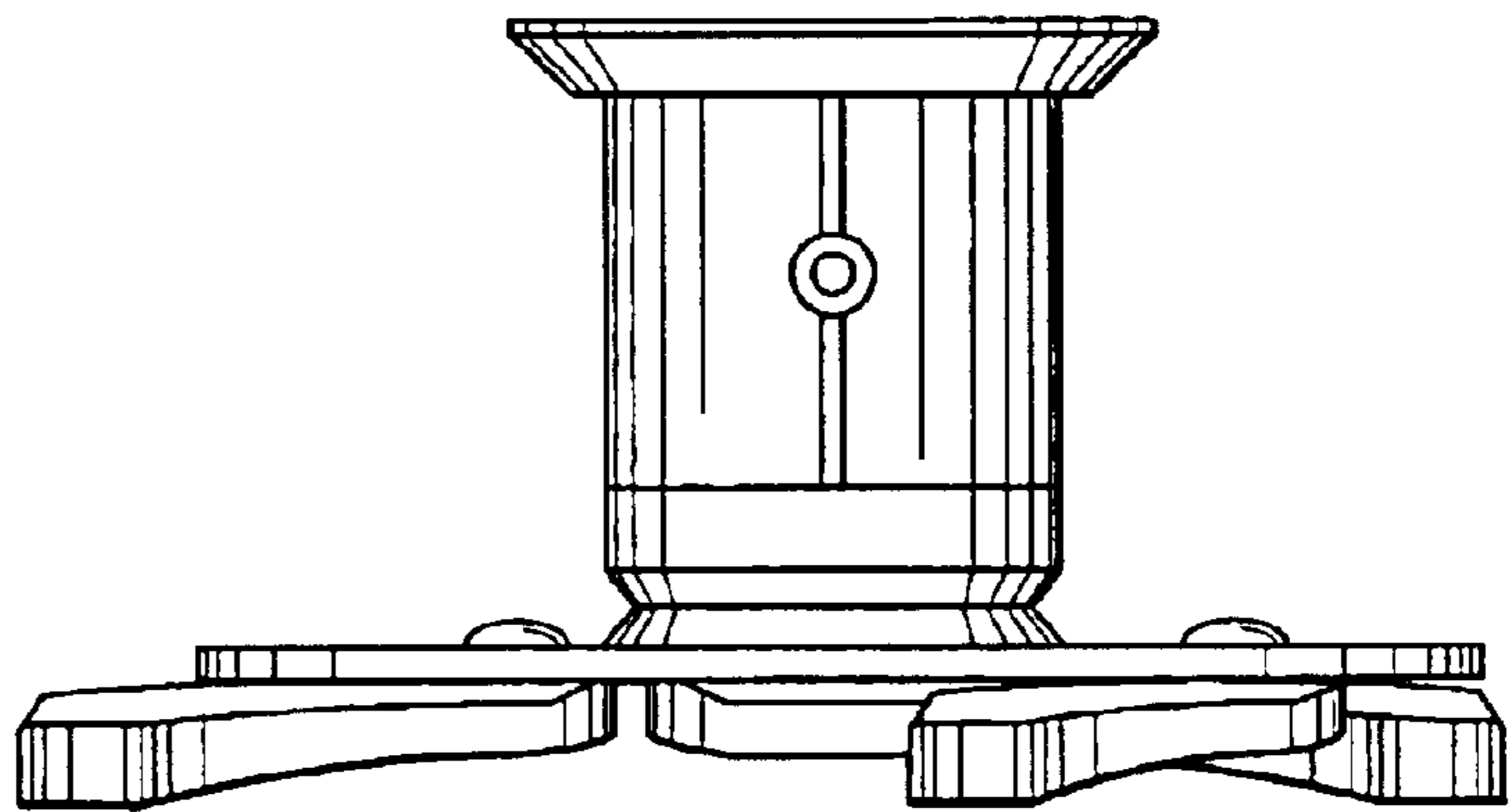


FIG. 3

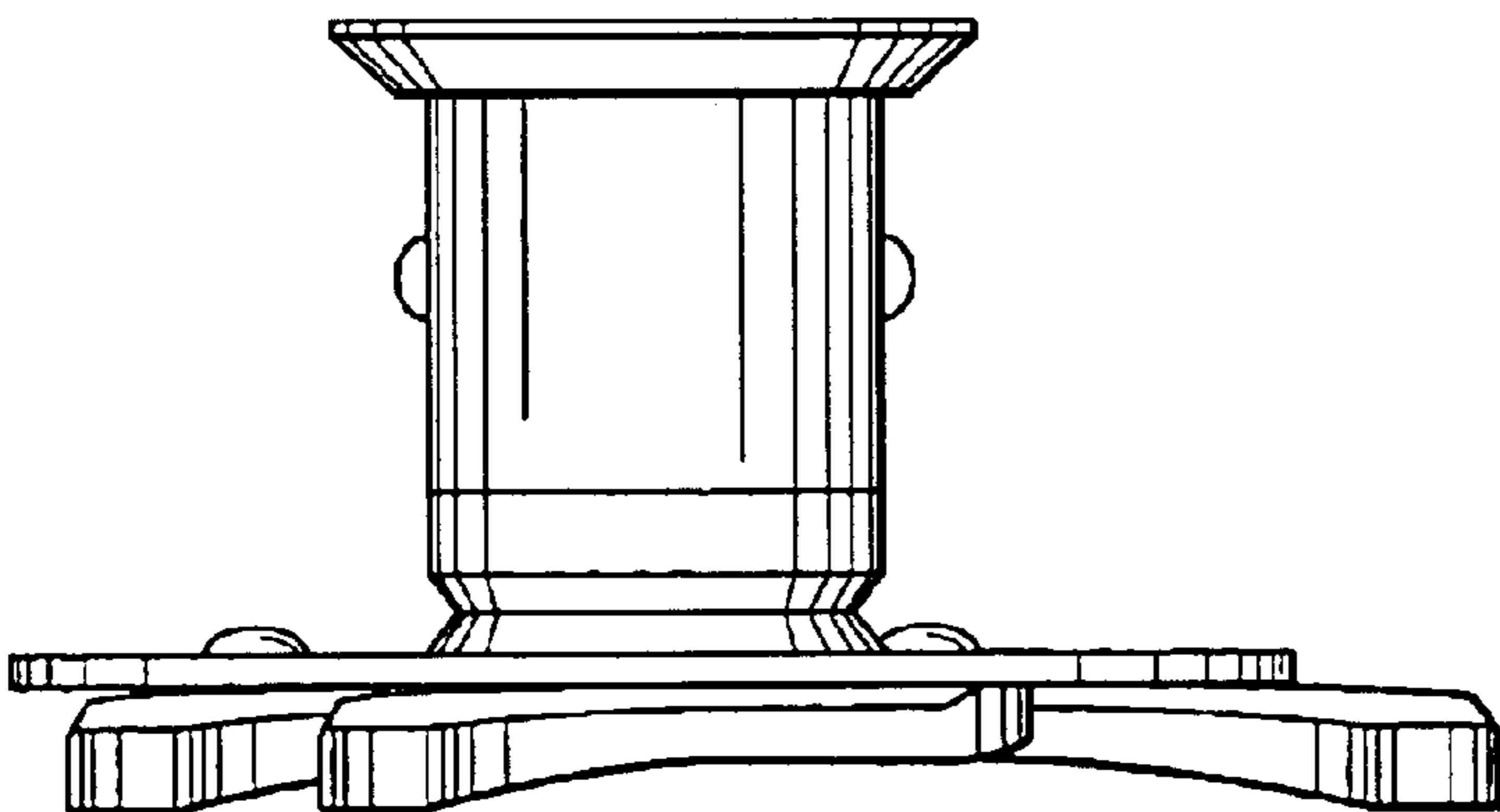


FIG. 4

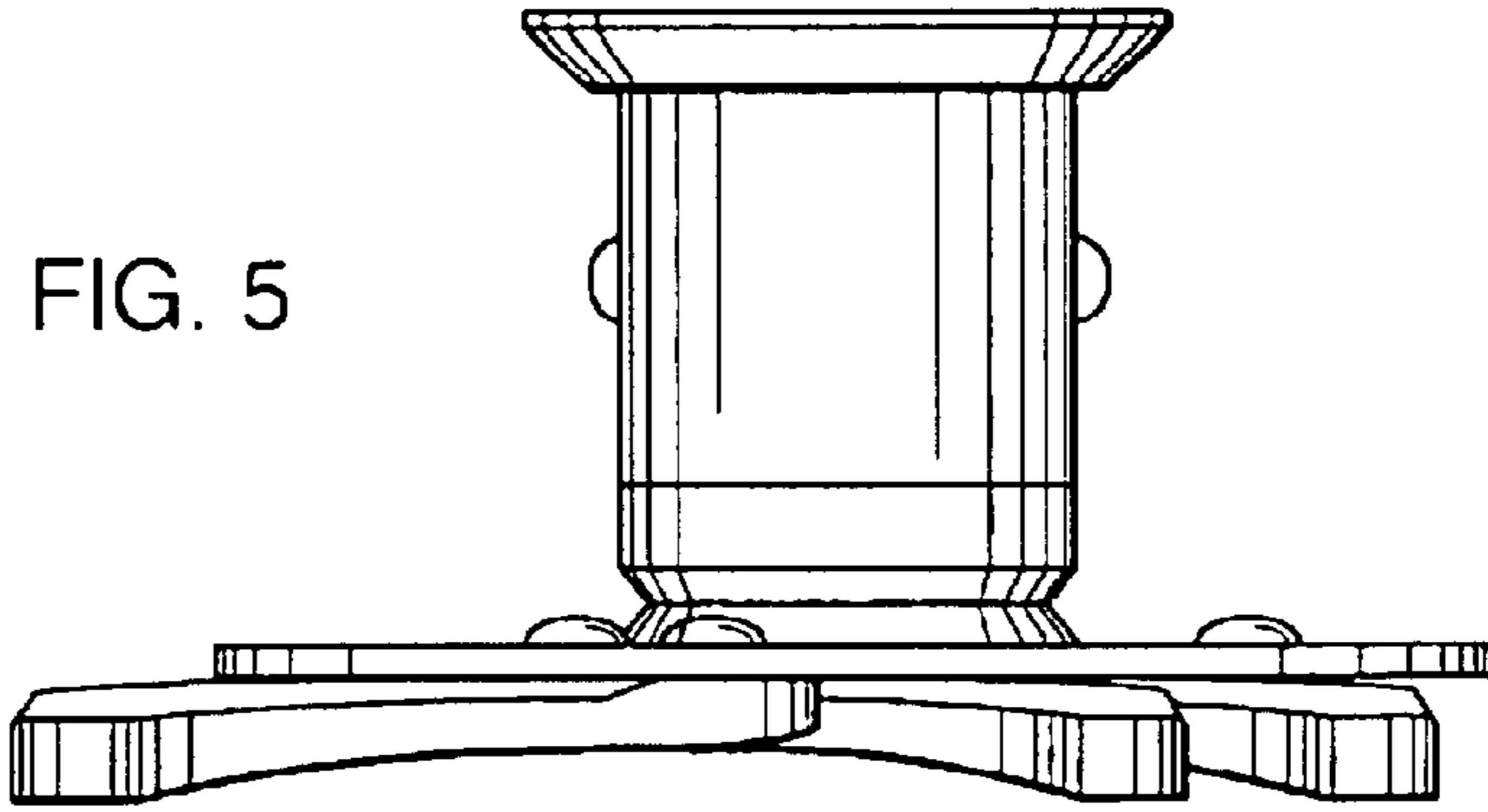


FIG. 5

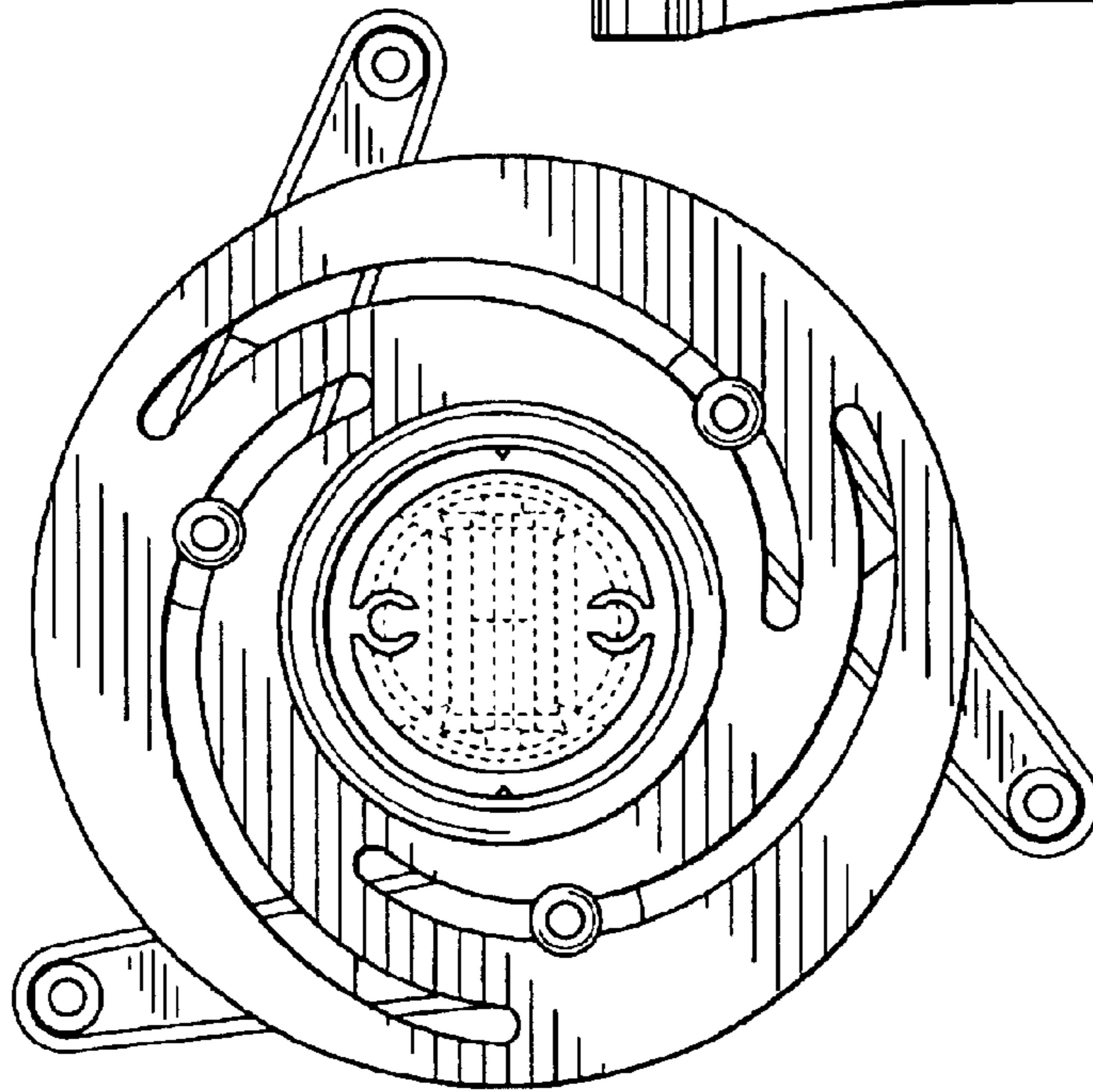


FIG. 6

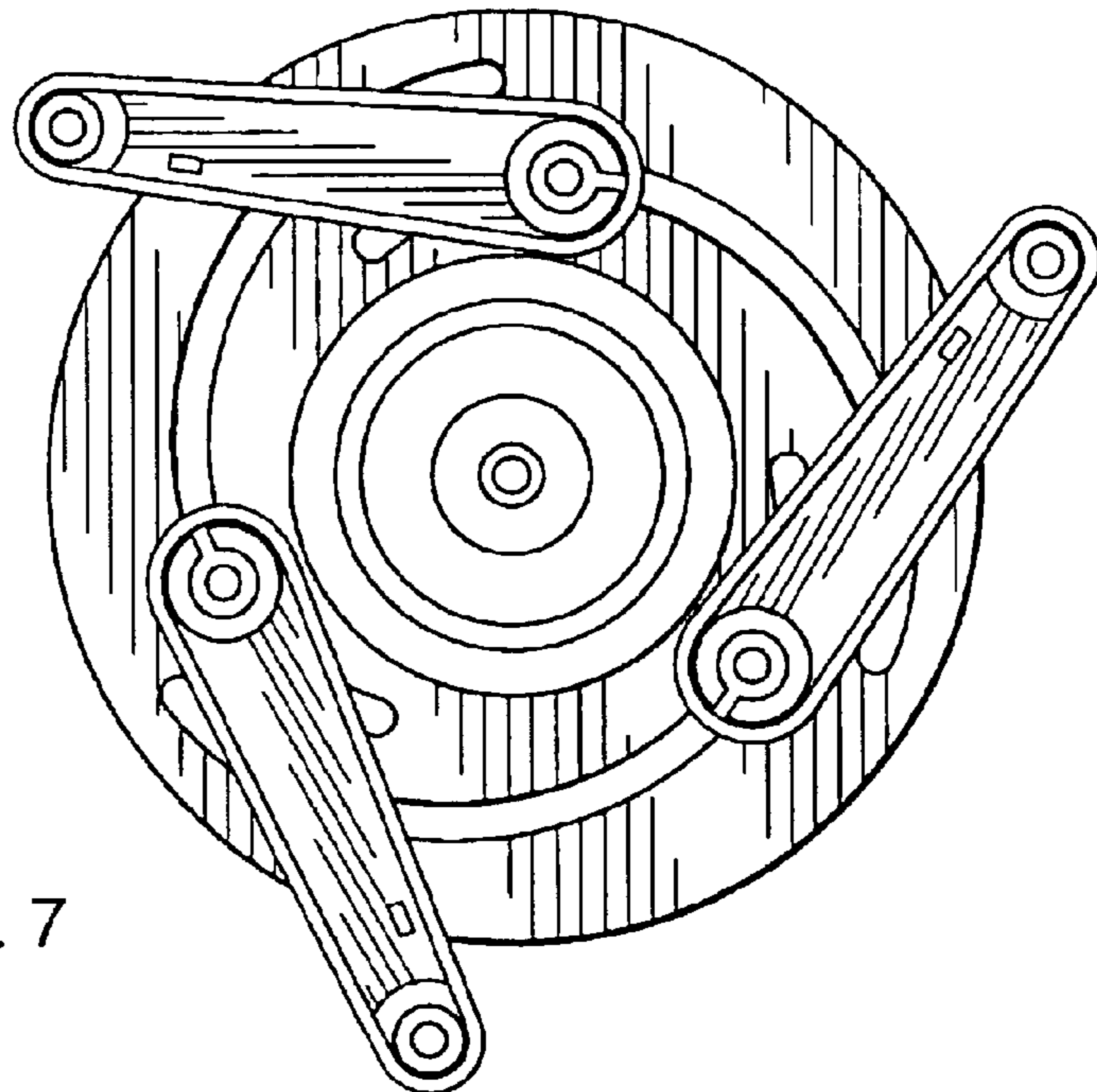


FIG. 7