



US00D514611S

(12) **United States Design Patent**
Schoenert et al.

(10) **Patent No.: US D514,611 S**
(45) **Date of Patent: ** Feb. 7, 2006**

(54) **PROJECTOR**

(75) Inventors: **Richard Schoenert**, Sherwood, OR
(US); **Phillip H. Salvatori**, Salem, OR
(US); **Danny Han**, Tigard, OR (US)

(73) Assignee: **InFocus Corporation**, Wilsonville, OR
(US)

(**) Term: **14 Years**

(21) Appl. No.: **29/213,040**

(22) Filed: **Sep. 10, 2004**

(51) **LOC (8) Cl.** **16-02**

(52) **U.S. Cl.** **D16/221**

(58) **Field of Classification Search** D16/208,
D16/213, 221, 225, 230, 235; D21/514; 40/361-367;
40/352/34, 242; 353/115, 119, 122
See application file for complete search history.

(56) **References Cited**

U.S. PATENT DOCUMENTS

2,025,366 A * 12/1935 Mihaly 352/34

2,441,607 A * 5/1948 Walls D21/514
D183,071 S * 6/1958 Tashima D16/221
3,061,961 A * 11/1962 Cohen 40/363
4,881,334 A * 11/1989 Brown 40/365
D320,030 S * 9/1991 Allen D16/235
D393,865 S * 4/1998 Starck D16/221

* cited by examiner

Primary Examiner—Adir Aronovich

(74) *Attorney, Agent, or Firm*—Schwabe, Williamson &
Wyatt, P.C.

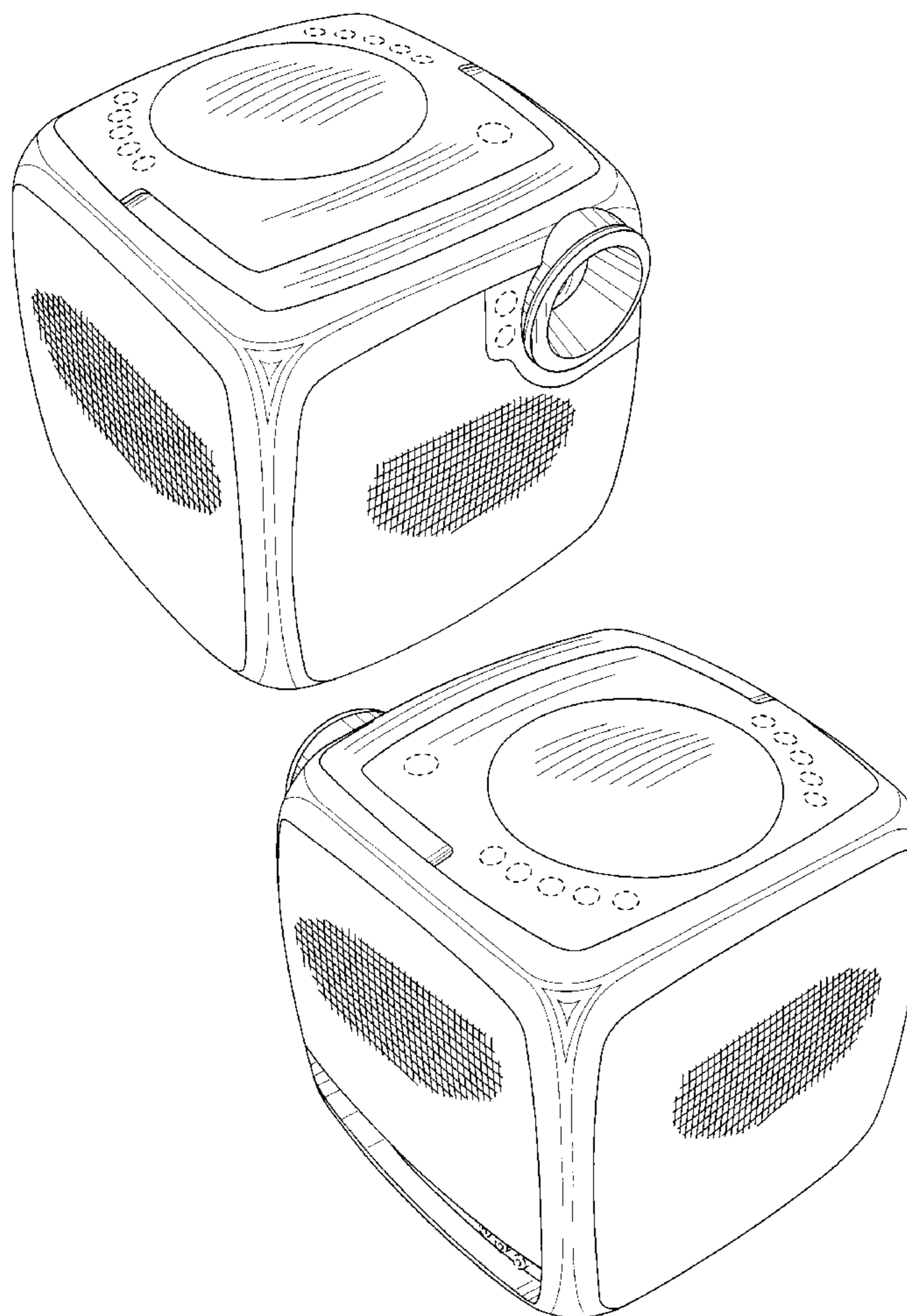
(57) **CLAIM**

The ornamental design for a projector, as shown and
described.

DESCRIPTION

FIG. 1 is a top, front and a left side view of a projector
showing our new design; and,
FIG. 2 is a top, rear and a right side view thereof.
The broken lines shown in these figures are merely for
illustrative purposes and form no part of the claimed design.

1 Claim, 1 Drawing Sheet



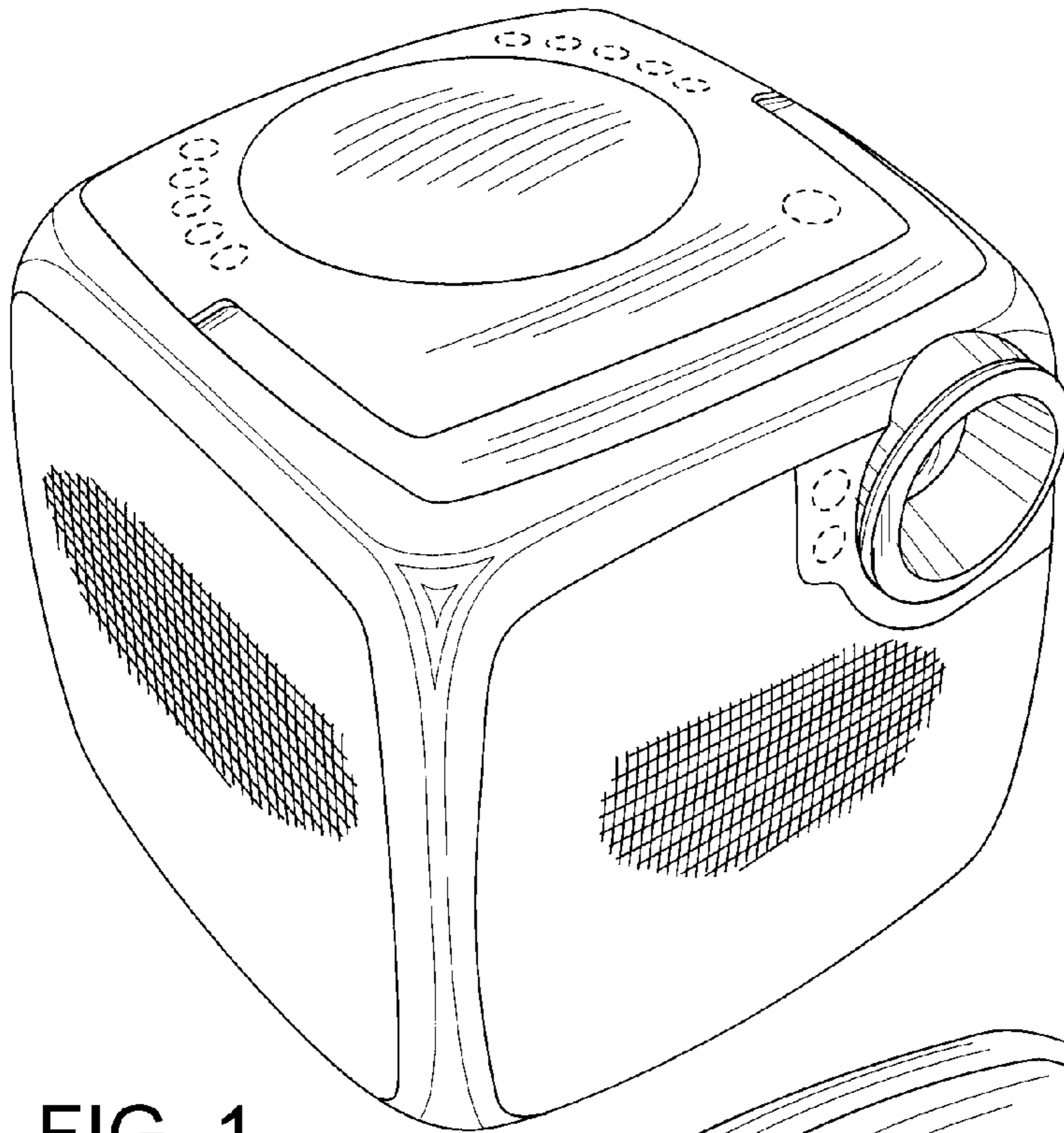


FIG. 1

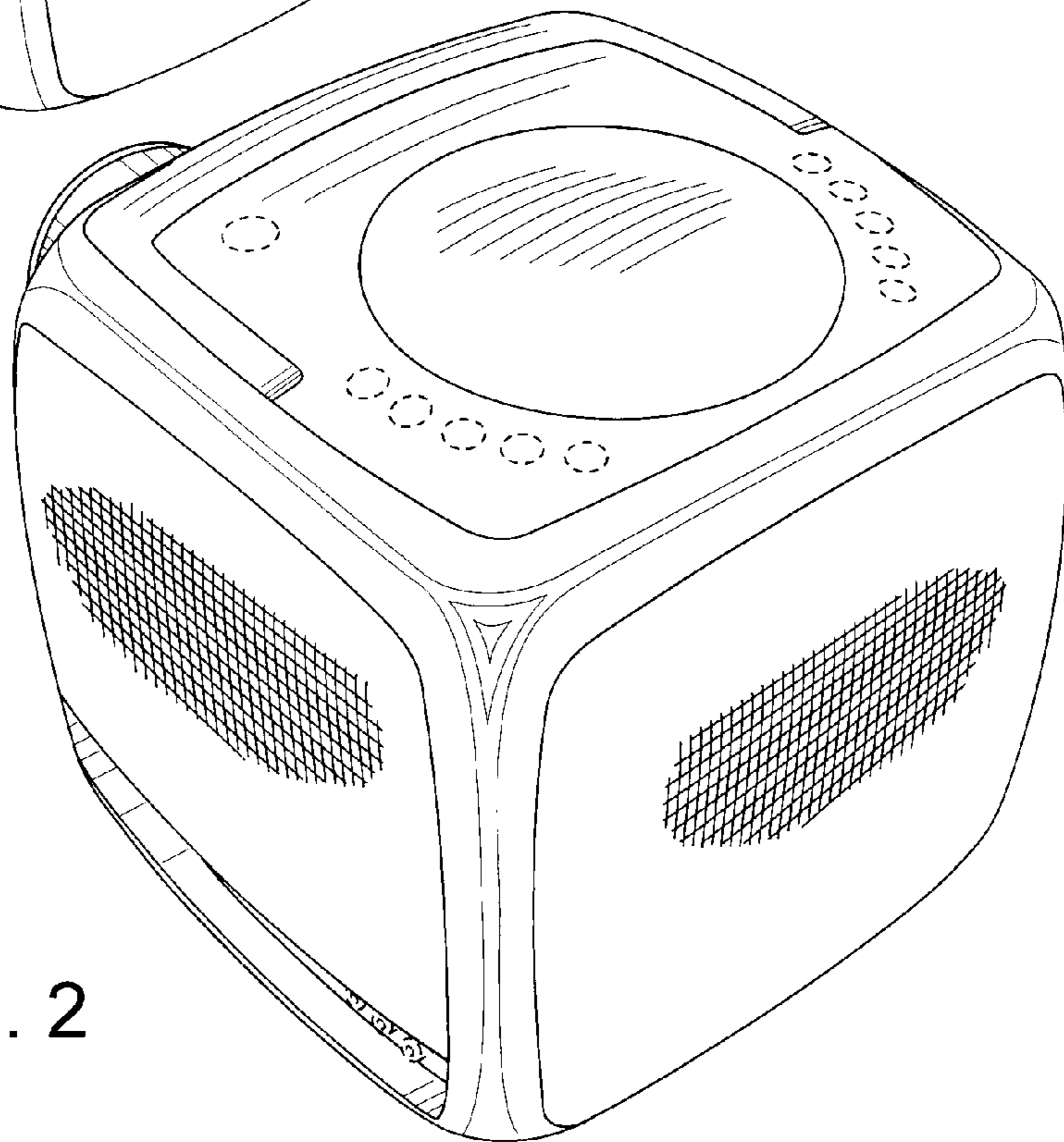


FIG. 2