



US00D514610S

(12) **United States Design Patent**  
**Urushihata**

(10) **Patent No.:** **US D514,610 S**  
(45) **Date of Patent:** **\*\* Feb. 7, 2006**

(54) **DIGITAL CAMERA**

(75) **Inventor:** **Mutsumi Urushihata, Hachioji (JP)**

(73) **Assignee:** **Olympus Corporation, Tokyo (JP)**

(\*\*) **Term:** **14 Years**

(21) **Appl. No.:** **29/210,339**

(22) **Filed:** **Jul. 28, 2004**

(30) **Foreign Application Priority Data**

Jun. 15, 2004 (JP) ..... 2004-017894

(51) **LOC (8) Cl.** ..... **16-01**

(52) **U.S. Cl.** ..... **D16/202**

(58) **Field of Classification Search** ..... D16/200–205,  
D16/208, 217, 218; 348/373–376; 358/906,  
358/909.1; 396/6, 535, 536–541

See application file for complete search history.

(56) **References Cited**

**U.S. PATENT DOCUMENTS**

D395,441 S \* 6/1998 Lee et al. .... D16/217

D415,779 S \* 10/1999 Matsushita ..... D16/218

6,118,941 A \* 9/2000 Sugiyama ..... 396/6  
D487,105 S \* 2/2004 Takahashi ..... D16/202  
D490,833 S \* 6/2004 Sakaguchi et al. .... D16/202  
D505,967 S \* 6/2005 Ko et al. .... D16/218

\* cited by examiner

*Primary Examiner*—Adir Aronovich

(74) *Attorney, Agent, or Firm*—Hogan & Hartson, LLP

(57) **CLAIM**

The ornamental design for a digital camera, as shown and described.

**DESCRIPTION**

FIG. 1 is a top, front and left side perspective view of a digital camera showing my new design;

FIG. 2 is a top, rear and right side perspective view thereof;

FIG. 3 is a front view thereof;

FIG. 4 is a rear view thereof;

FIG. 5 is a top plan view thereof;

FIG. 6 is a bottom plan view thereof;

FIG. 7 is a right side view thereof; and,

FIG. 8 is a left side view thereof.

**1 Claim, 5 Drawing Sheets**

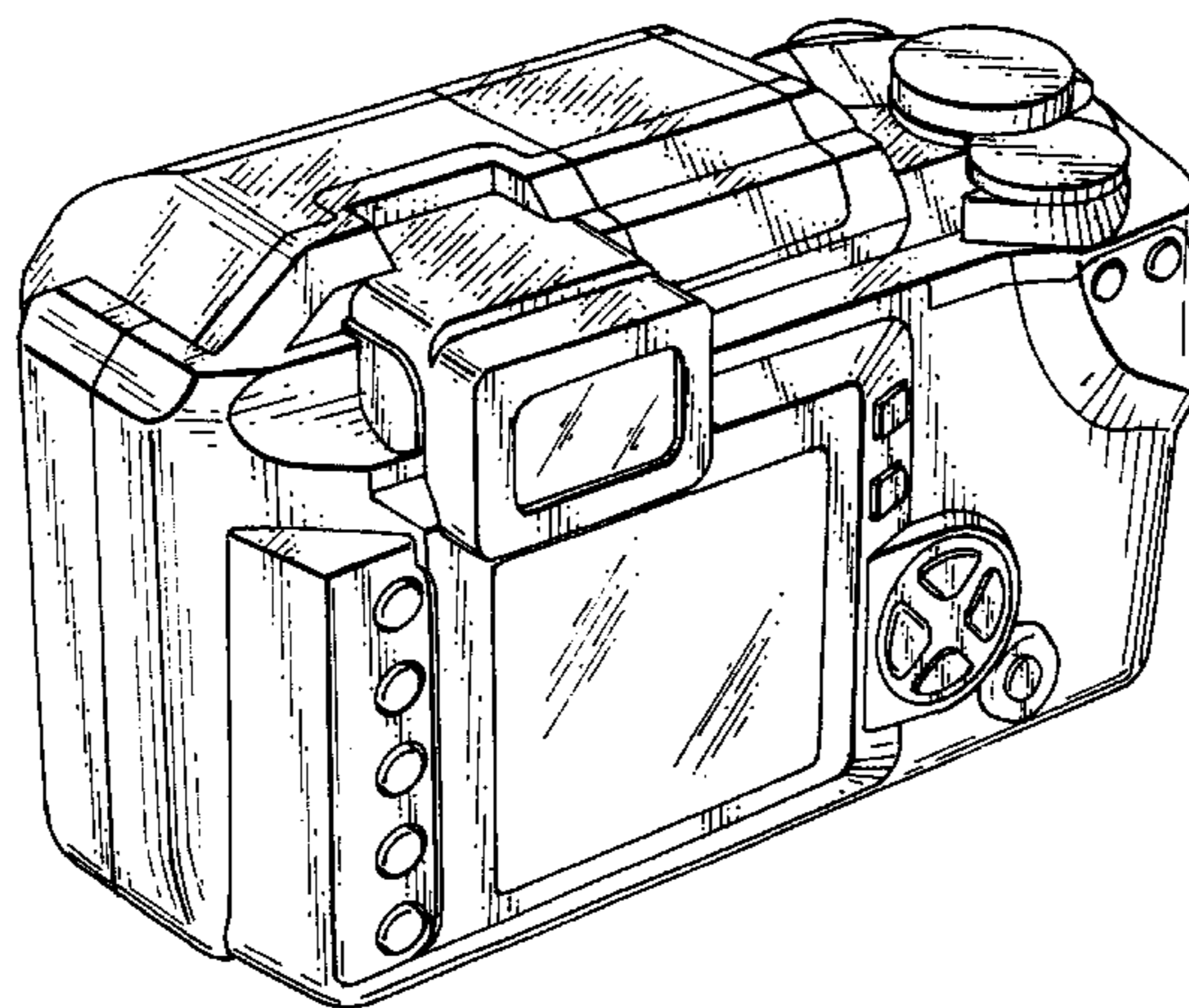
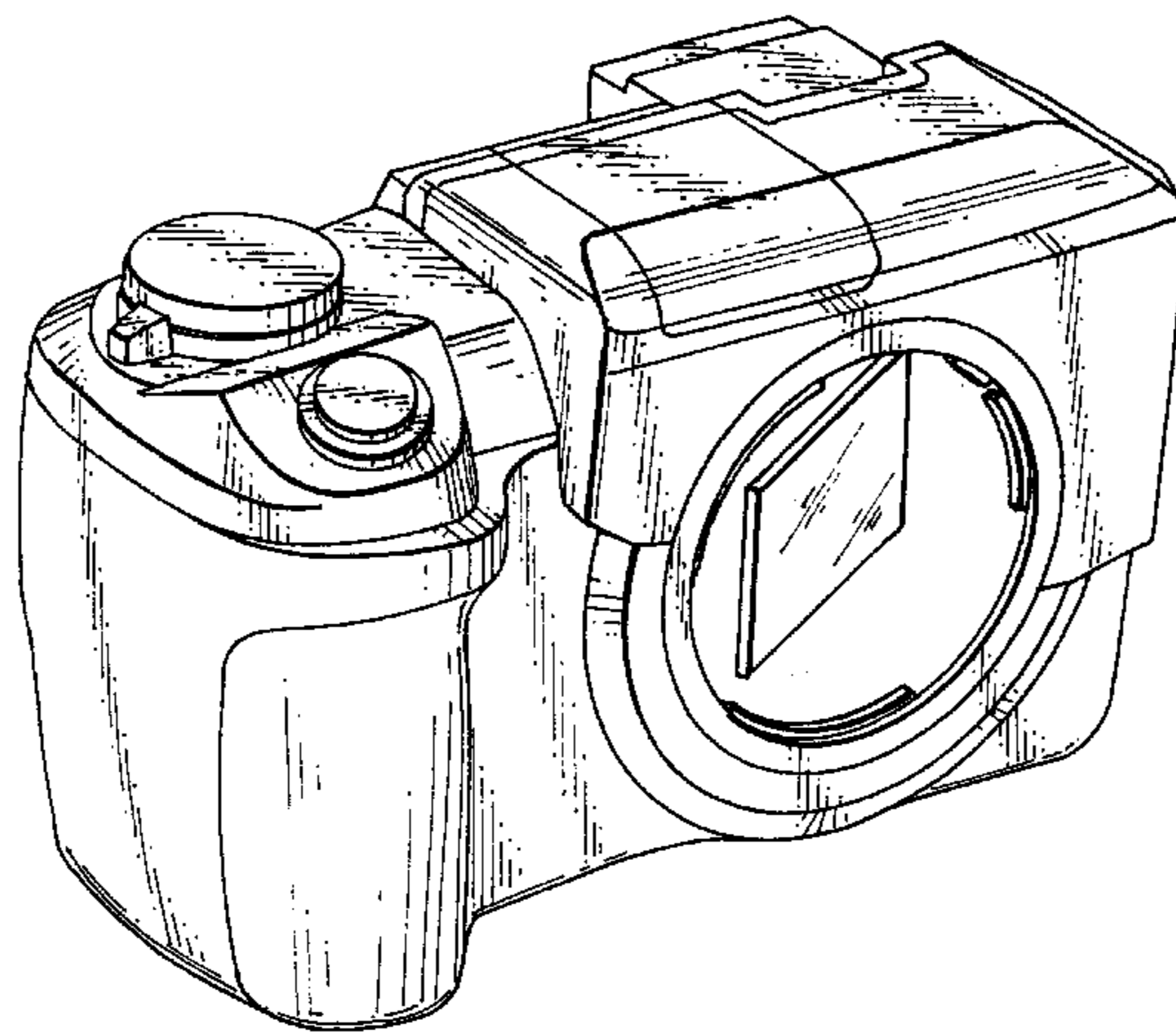


FIG.1

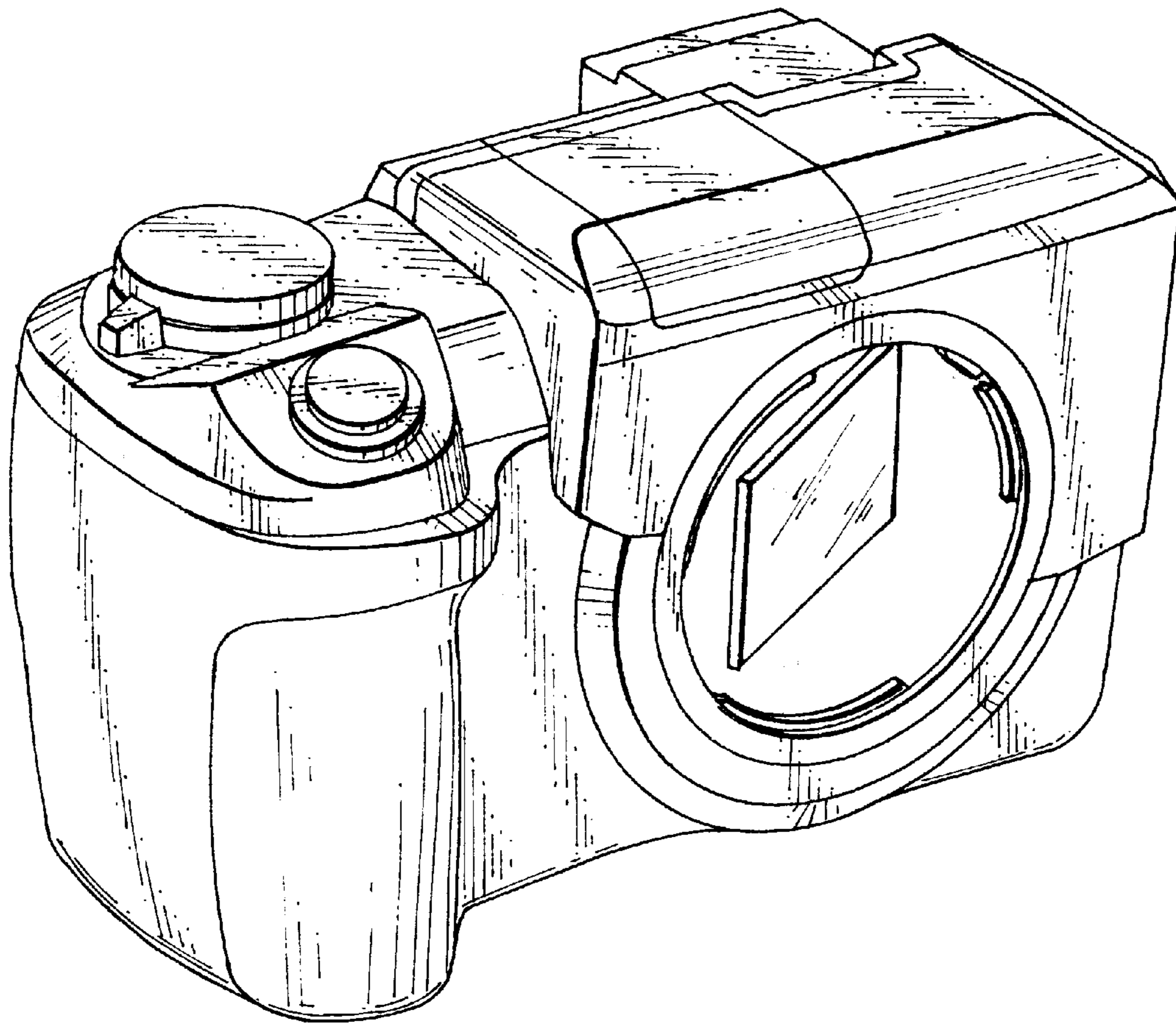


FIG.2

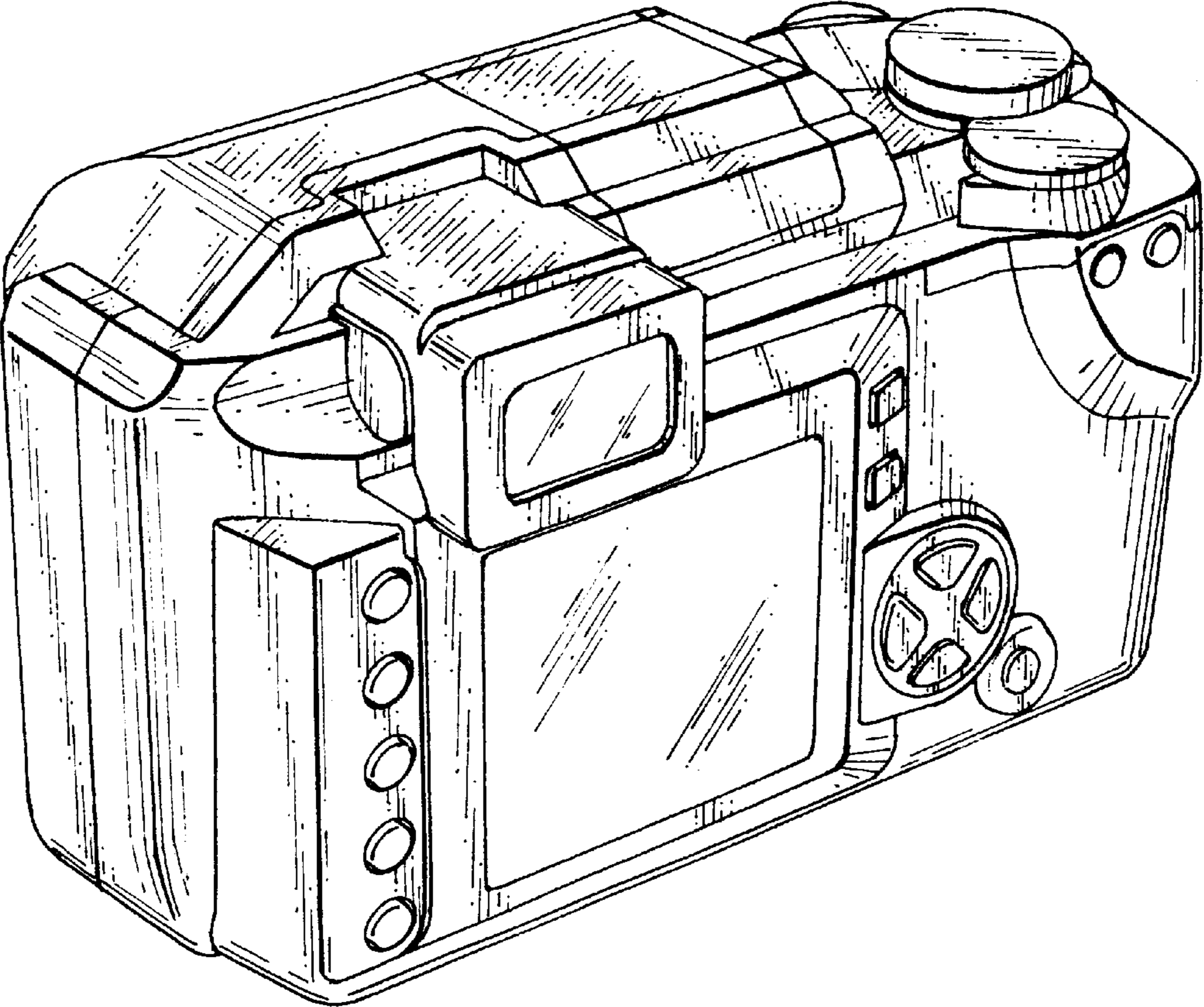


FIG. 3

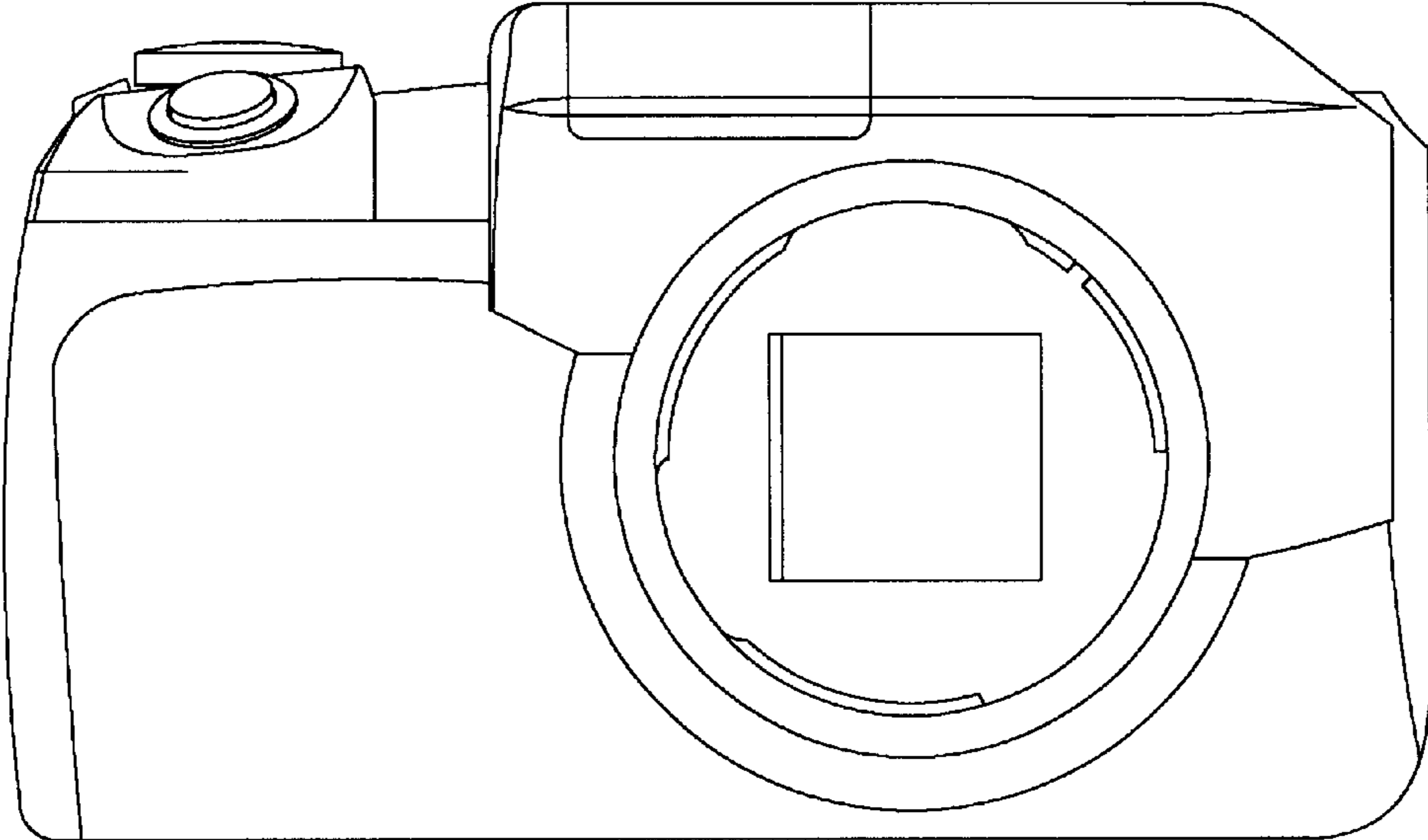


FIG. 4

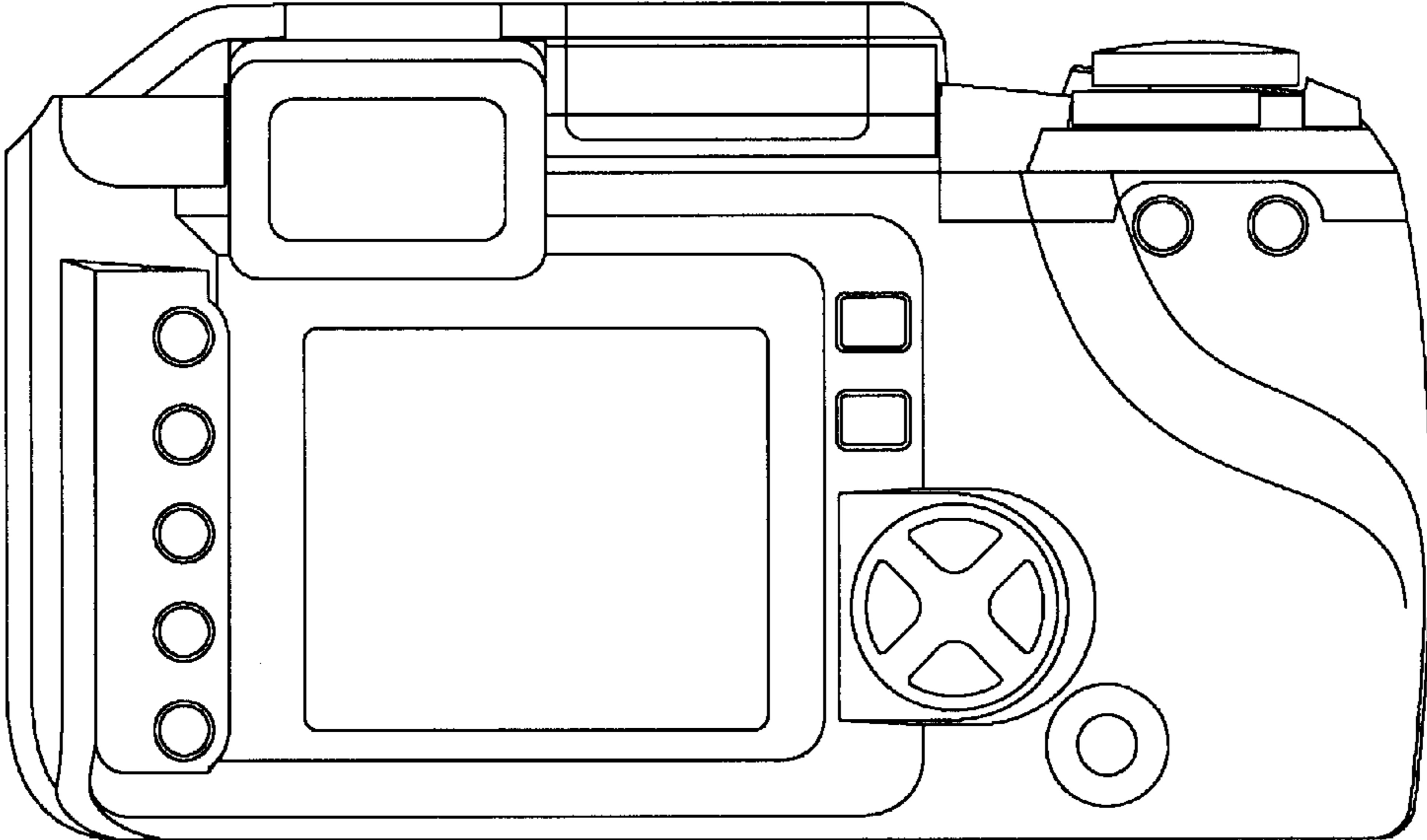


FIG. 5

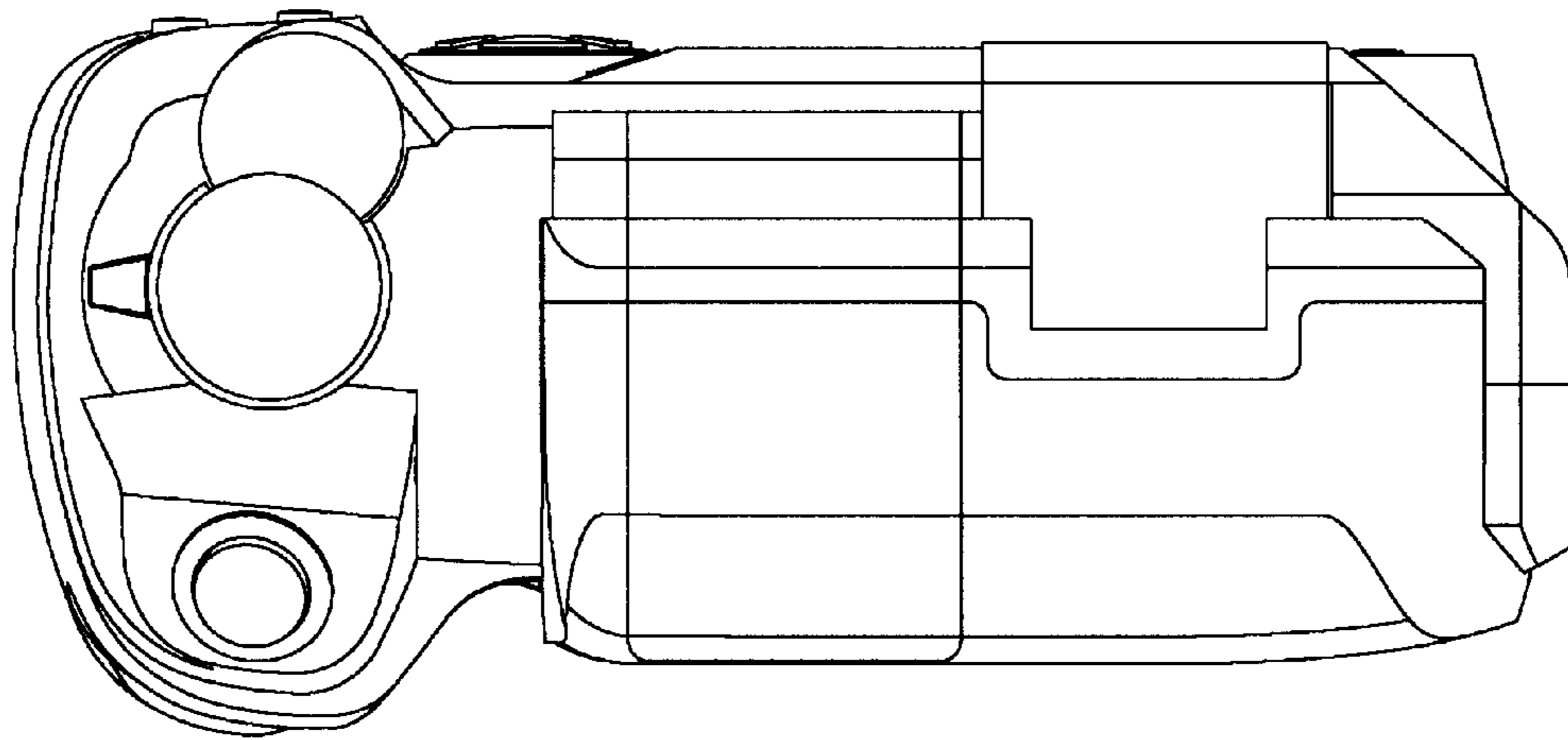


FIG. 6

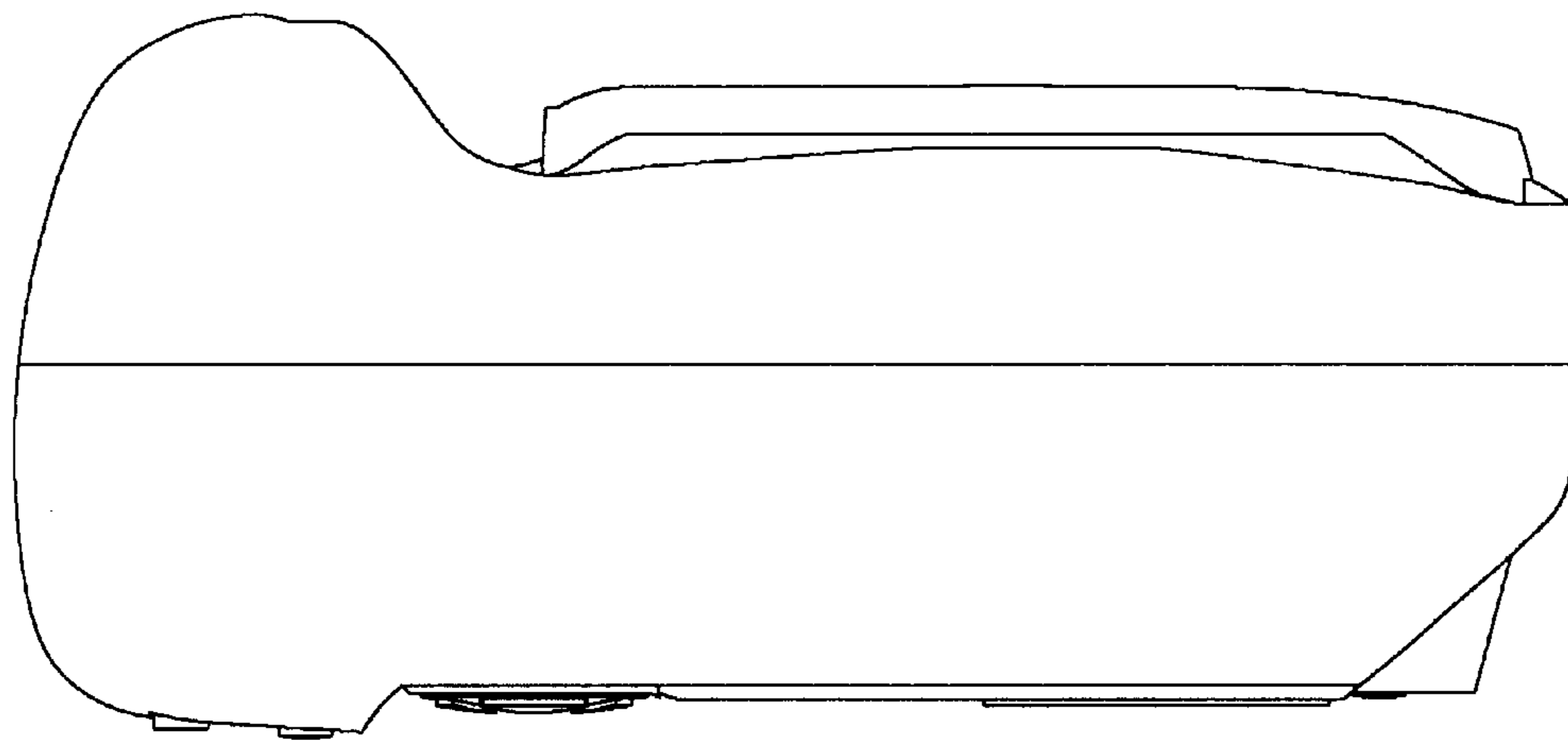


FIG. 7

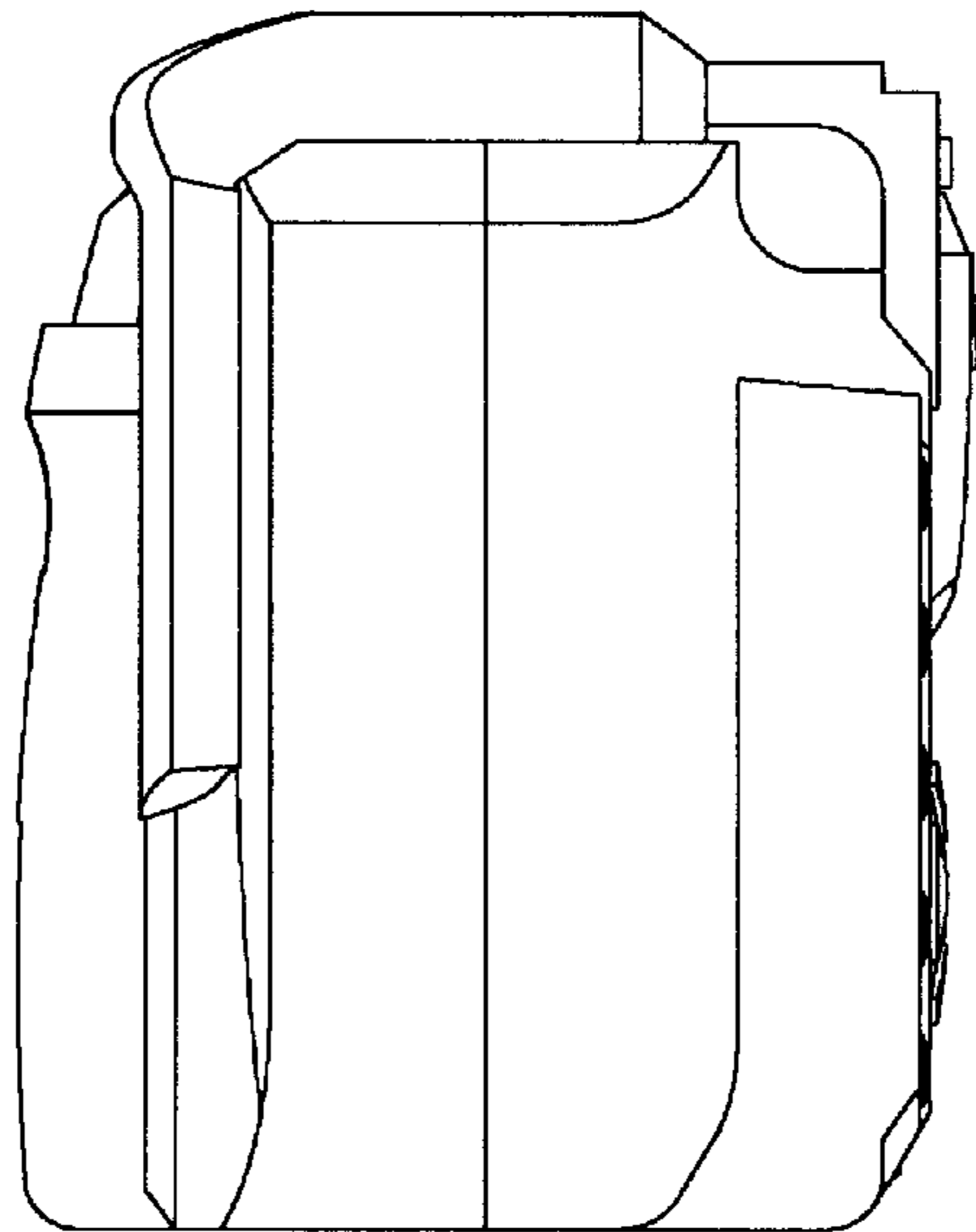


FIG. 8

