



US00D514609S

(12) **United States Design Patent**
Heine

(10) **Patent No.: US D514,609 S**

(45) **Date of Patent: ** Feb. 7, 2006**

(54) **BINOCULARS**

(75) **Inventor: Achim Heine, Berlin (DE)**

(73) **Assignee: Leica Camera AG, Solms (DE)**

(**) **Term: 14 Years**

(21) **Appl. No.: 29/214,100**

(22) **Filed: Sep. 29, 2004**

(30) **Foreign Application Priority Data**

Apr. 9, 2004 (DE) 000160726

(51) **LOC (8) Cl. 16-06**

(52) **U.S. Cl. D16/133**

(58) **Field of Classification Search** D16/130,
D16/132, 133; 359/405, 407, 408, 409, 411,
359/412, 413, 415, 417, 418, 420, 804, 809
See application file for complete search history.

(56) **References Cited**

U.S. PATENT DOCUMENTS

D195,146 S	*	4/1963	Jensen	D16/133
D223,298 S	*	4/1972	Senda et al.	D16/133
4,325,602 A	*	4/1982	Lange	359/408
4,329,013 A	*	5/1982	Hengst	359/418
D307,154 S	*	4/1990	Shishikura	D16/133
D359,972 S	*	7/1995	Takahashi	D16/133
D412,177 S	*	7/1999	Fujii	D16/133

D470,160 S	*	2/2003	Meinzer	D16/133
D473,248 S	*	4/2003	Ono	D16/133
D486,507 S	*	2/2004	Fujii	D16/133
D492,711 S	*	7/2004	Watanabe	D16/133
D503,730 S	*	4/2005	Hamamura	D16/133

* cited by examiner

Primary Examiner—Paula A. Greene

(74) *Attorney, Agent, or Firm*—Crowell & Moring LLP

(57) **CLAIM**

The ornamental design for binoculars, as shown and described.

DESCRIPTION

FIG. 1 is a front perspective view of binoculars according to my novel design;

FIG. 2 is a side view of the binoculars according to my novel design;

FIG. 3 is a top view of the binoculars according to my novel design;

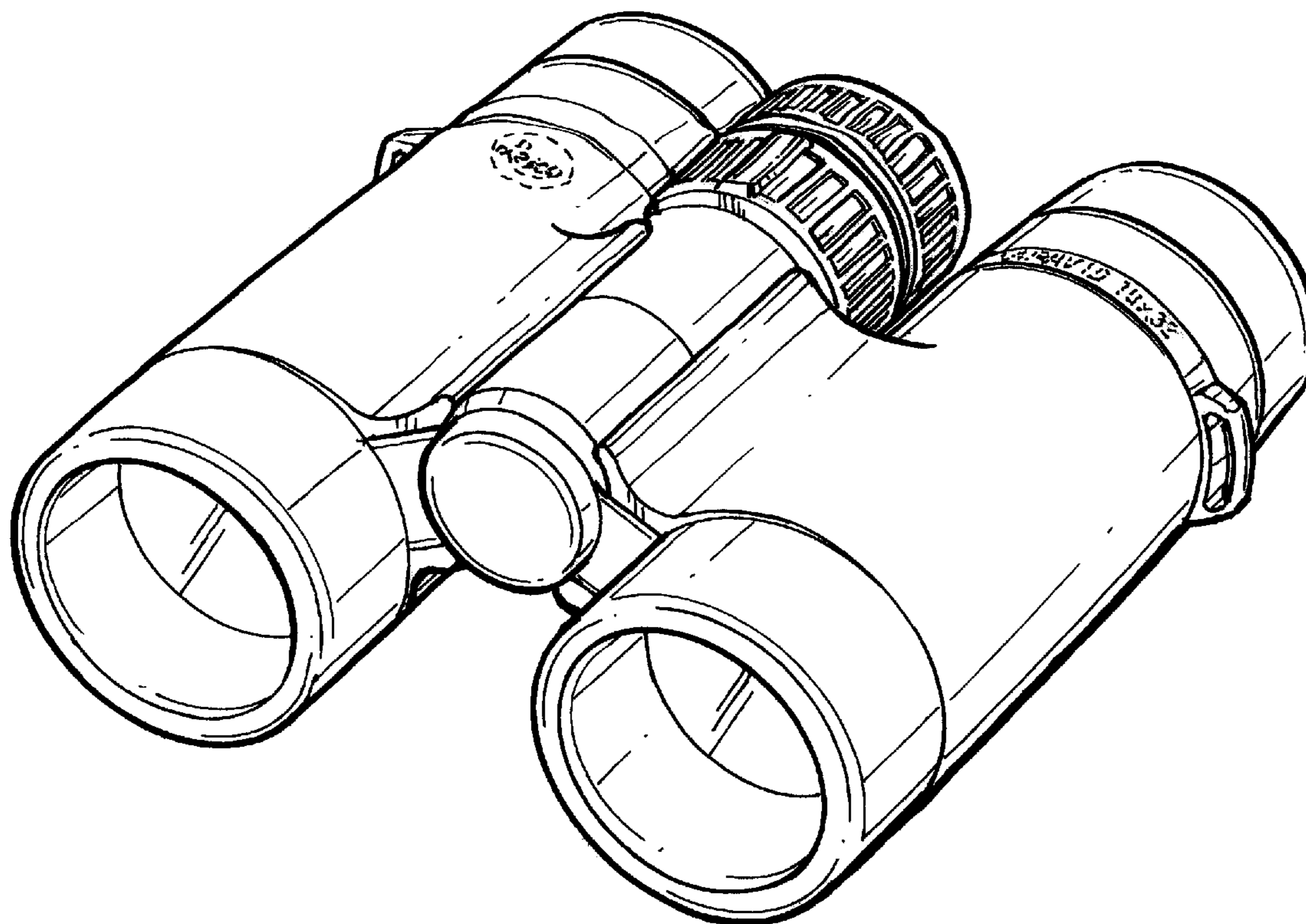
FIG. 4 is a front view of the binoculars according to my novel design;

FIG. 5 is a bottom view of the binoculars according to my novel design; and,

FIG. 6 is a rear view of the binoculars according to my novel design.

The broken lines are for illustrative purposes only and form no part of the claimed design.

1 Claim, 3 Drawing Sheets



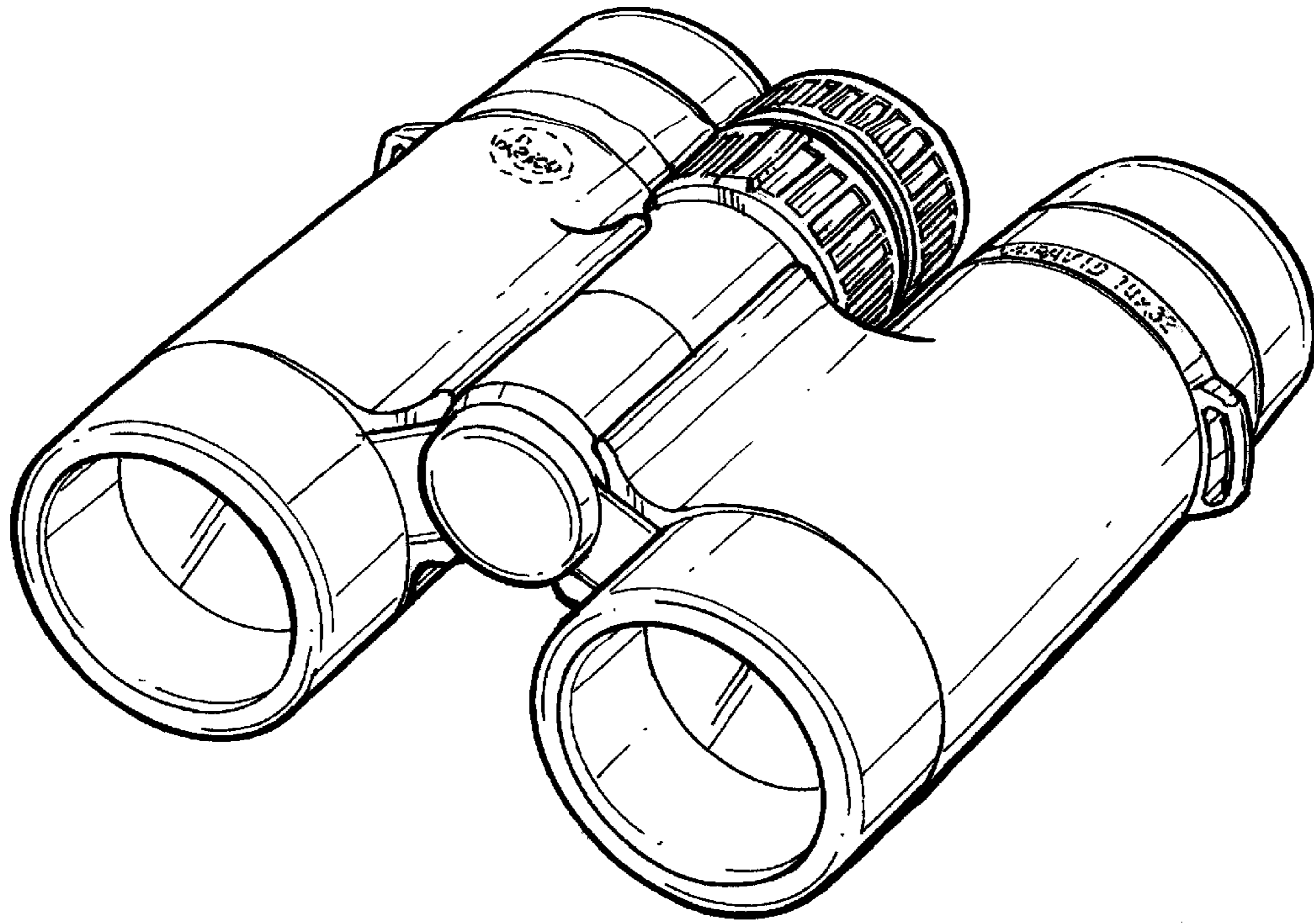


FIG. 1

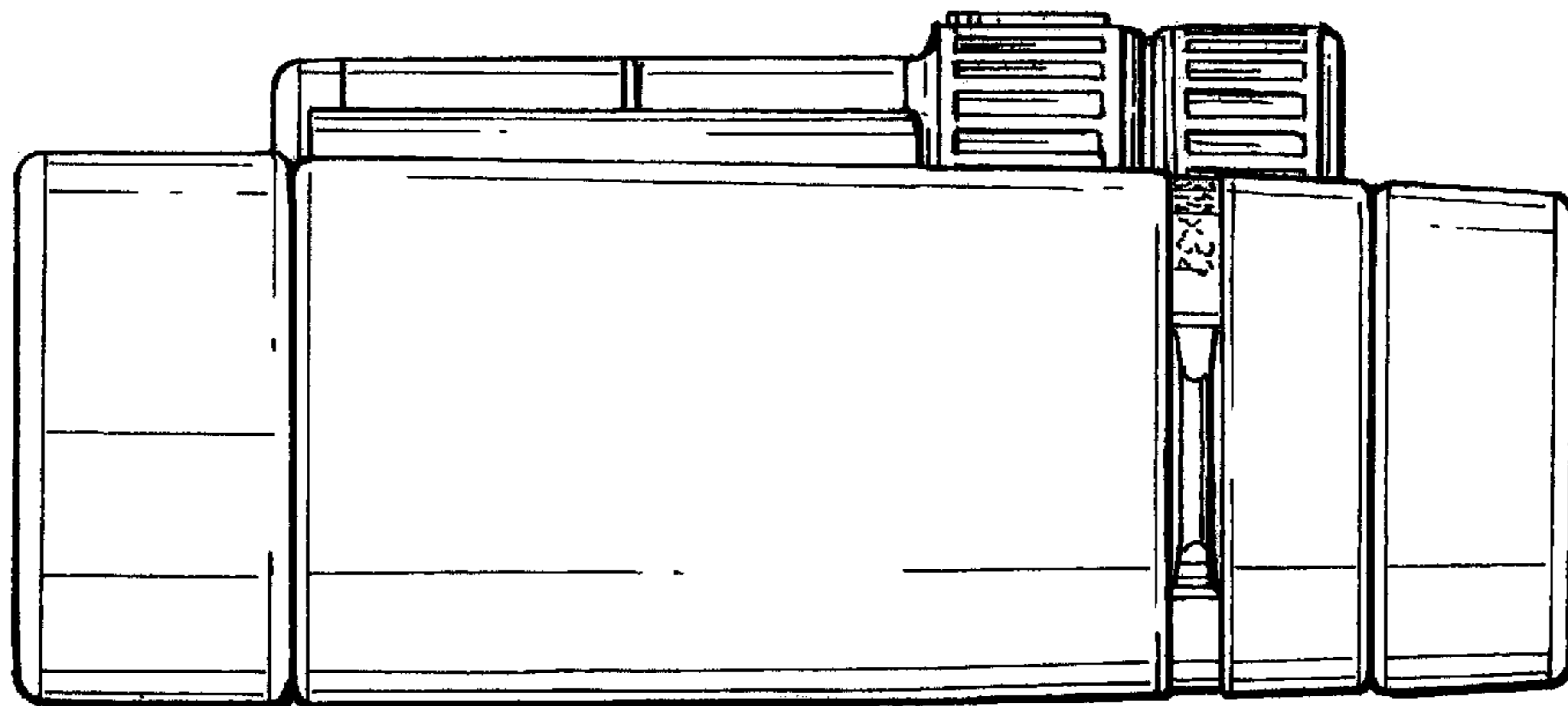


FIG. 2

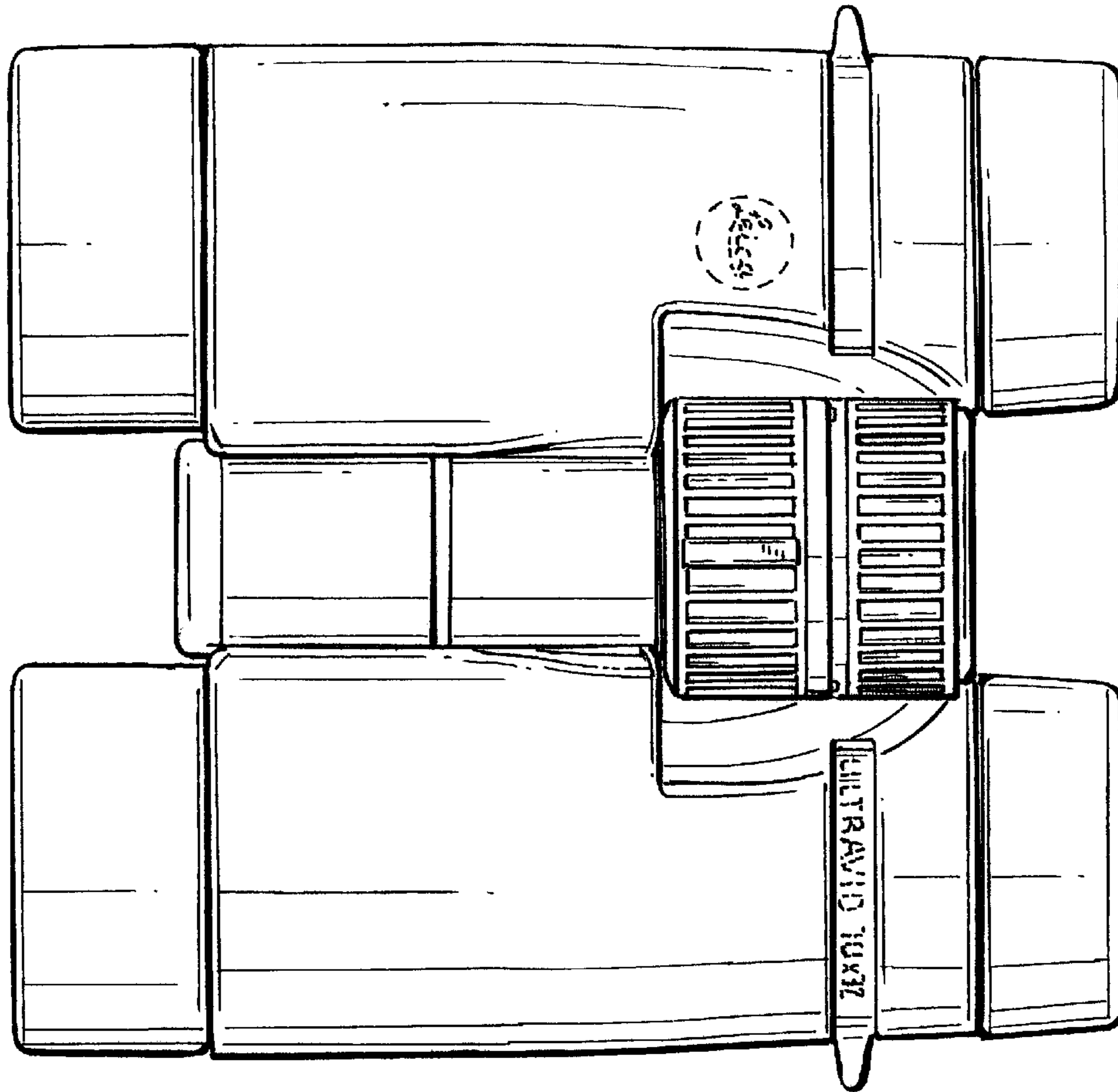


FIG. 3

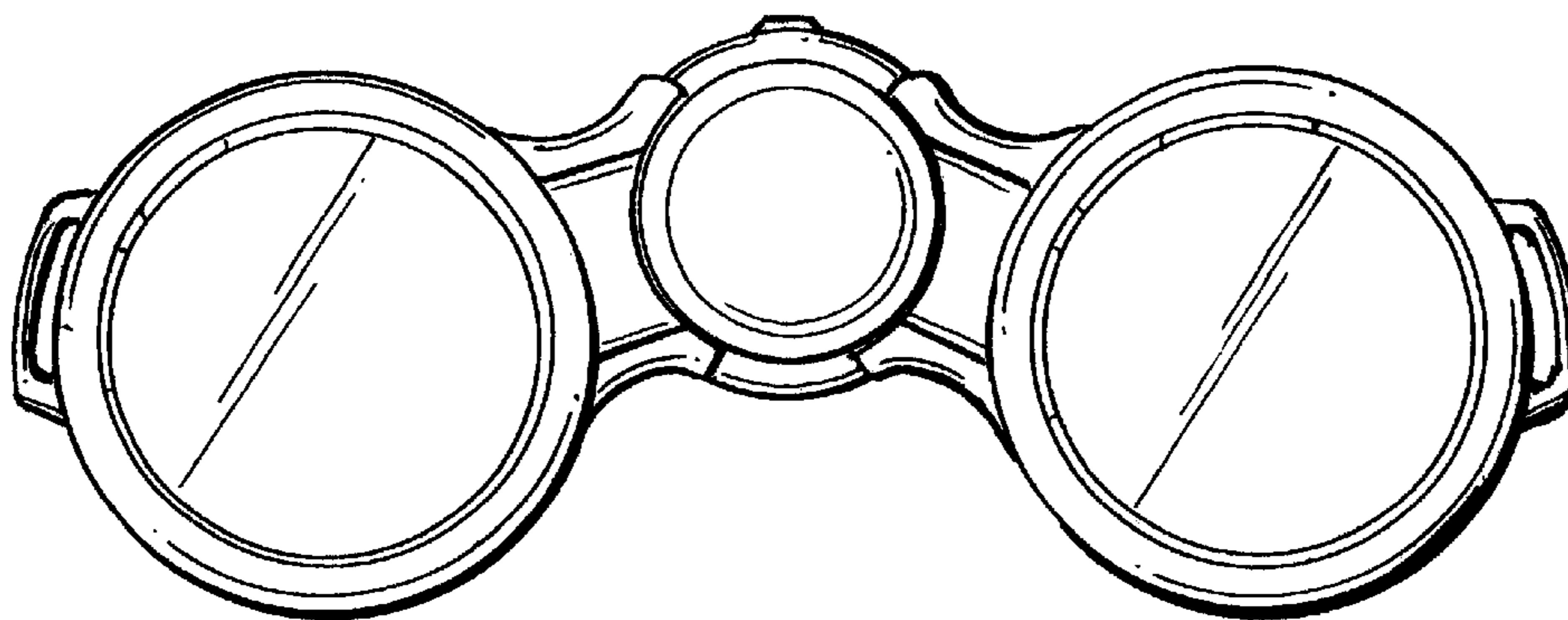


FIG. 4

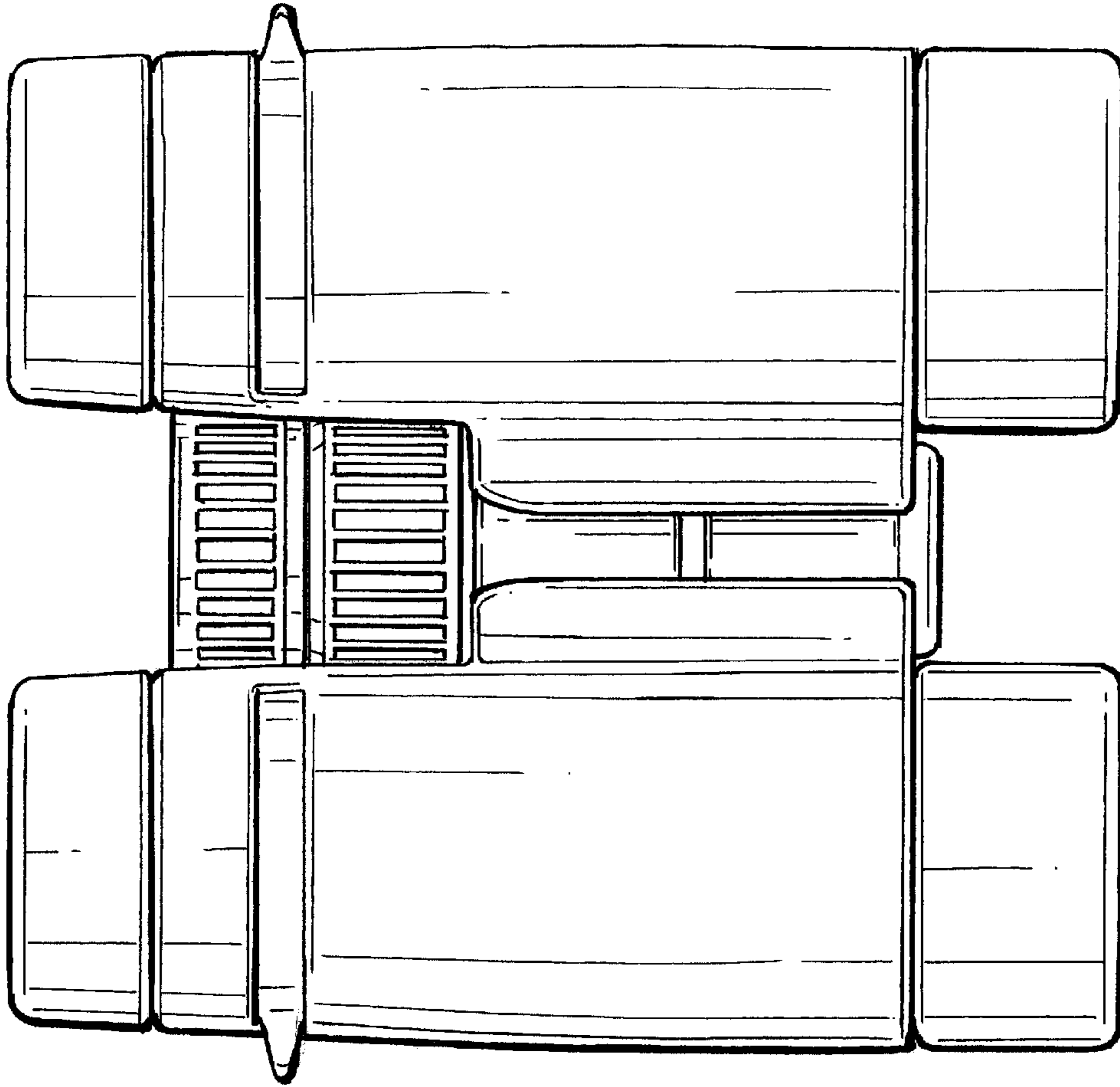


FIG. 5

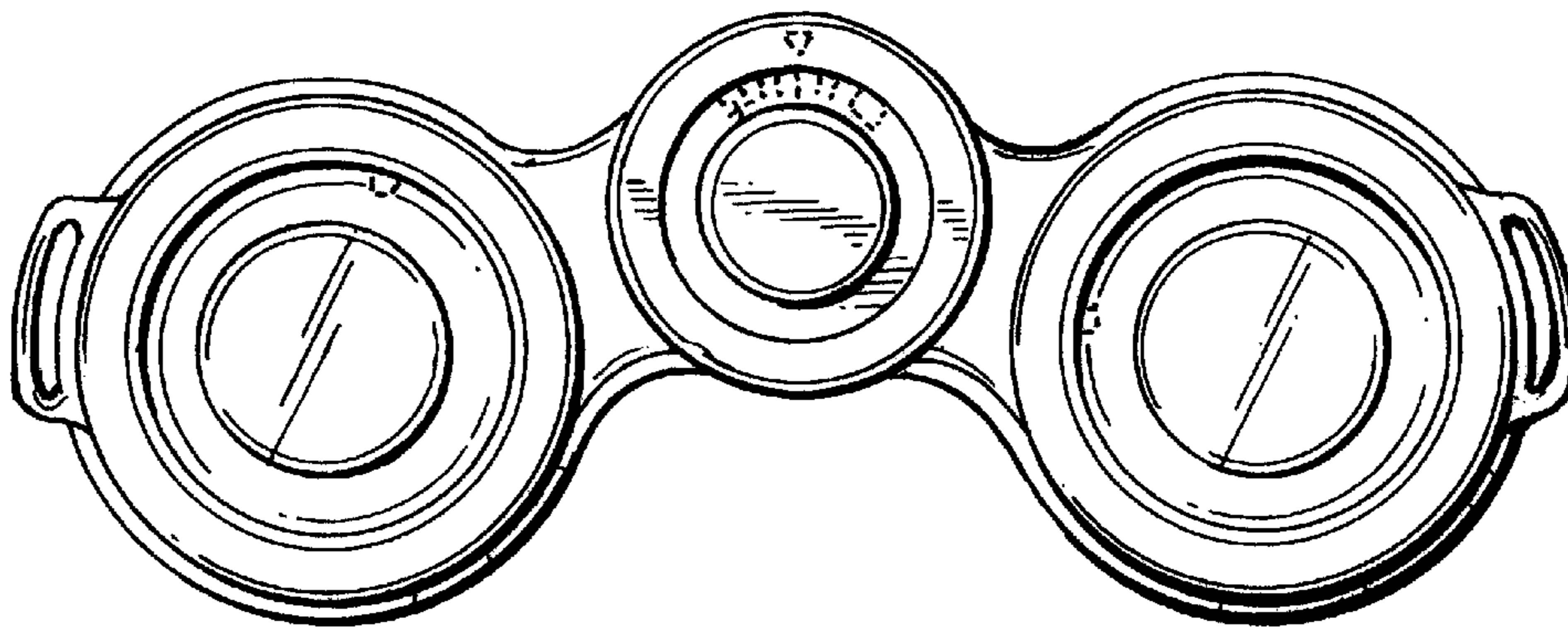


FIG. 6