



US00D514607S

(12) **United States Design Patent**
Wittenstein

(10) **Patent No.:** **US D514,607 S**
(45) **Date of Patent:** **** Feb. 7, 2006**

(54) **GEAR BOX WITH INDICATOR ELECTRONICS**

(75) **Inventor:** **Manfred Wittenstein**, Bad Mergentheim (DE)

(73) **Assignee:** **Wittenstein AG** (DE)

(**) **Term:** **14 Years**

(21) **Appl. No.:** **29/189,527**

(22) **Filed:** **Sep. 5, 2003**

(51) **LOC (8) Cl.** **15-09**

(52) **U.S. Cl.** **D15/148**

(58) **Field of Classification Search** D15/148-149;
475/83, 331-335; 482/8; 477/97
See application file for complete search history.

(56) **References Cited**

U.S. PATENT DOCUMENTS

D479,541 S * 9/2003 Lannoch D15/148

* cited by examiner

Primary Examiner—Antoine D. Davis

(74) *Attorney, Agent, or Firm*—Bachman & LaPointe, P.C.

(57) **CLAIM**

The ornamental design for a gear box with indicator electronics, as shown.

DESCRIPTION

The patent or application file contains at least one drawing executed in color. Copies of this patent or patent application publication with color drawing(s) will be provided by the Office upon request and payment of the necessary fee.

FIG. 1 is a perspective view of a gear box with indicator electronics in accordance with the present invention;

FIG. 2 is a front view of the gear box with indicator electronics of FIG. 1;

FIG. 3 is a first side view of the gear box with indicator electronics of FIG. 1;

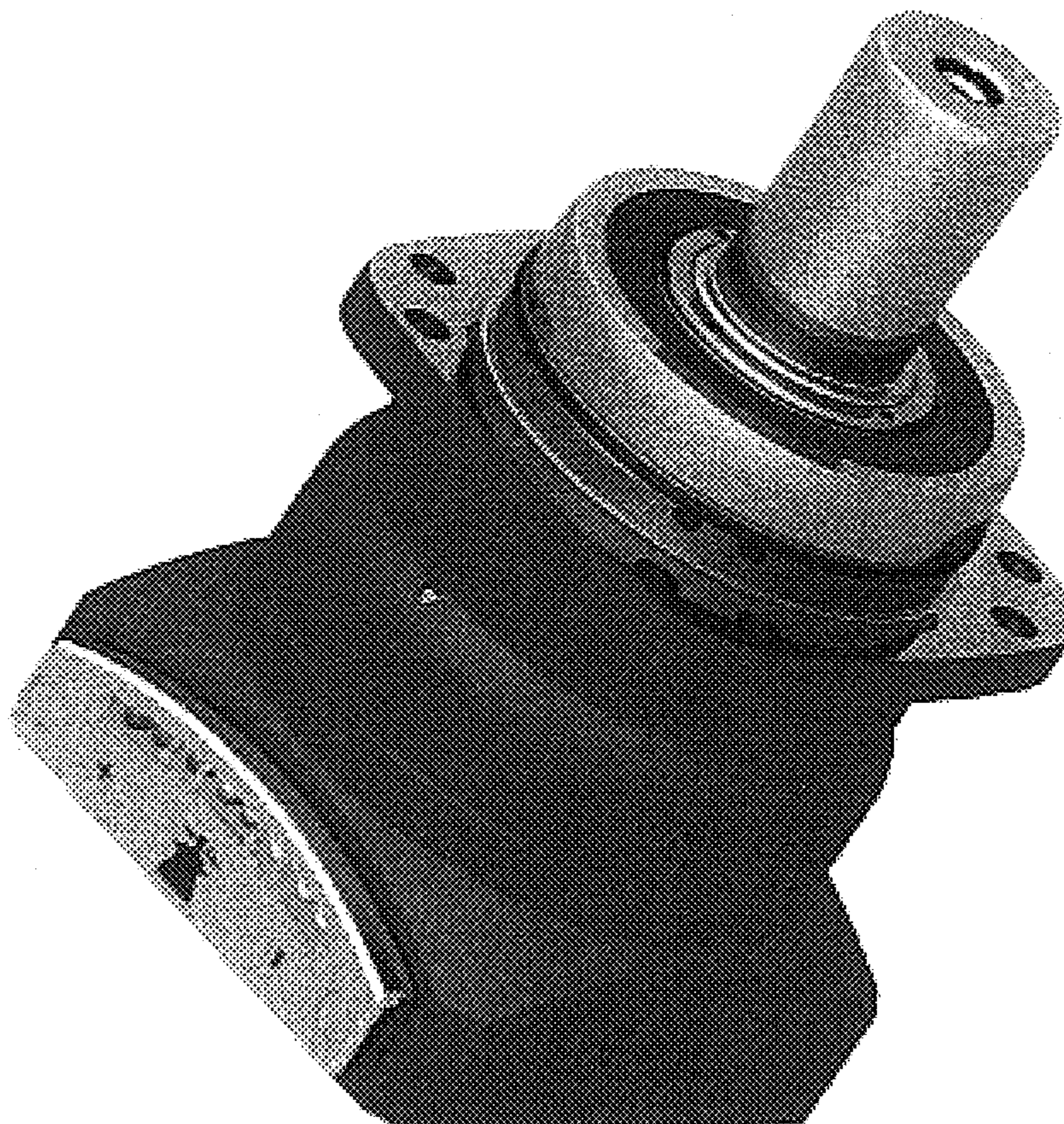
FIG. 4 is an opposite side view of the gear box with indicator electronics of FIG. 1;

FIG. 5 is a bottom view of the gear box with indicator electronics of FIG. 1; and,

FIG. 6 is a top view of the gear box with indicator electronics of FIG. 1.

1 Claim, 2 Drawing Sheets

(2 of 2 Drawing Sheet(s) Filed in Color)



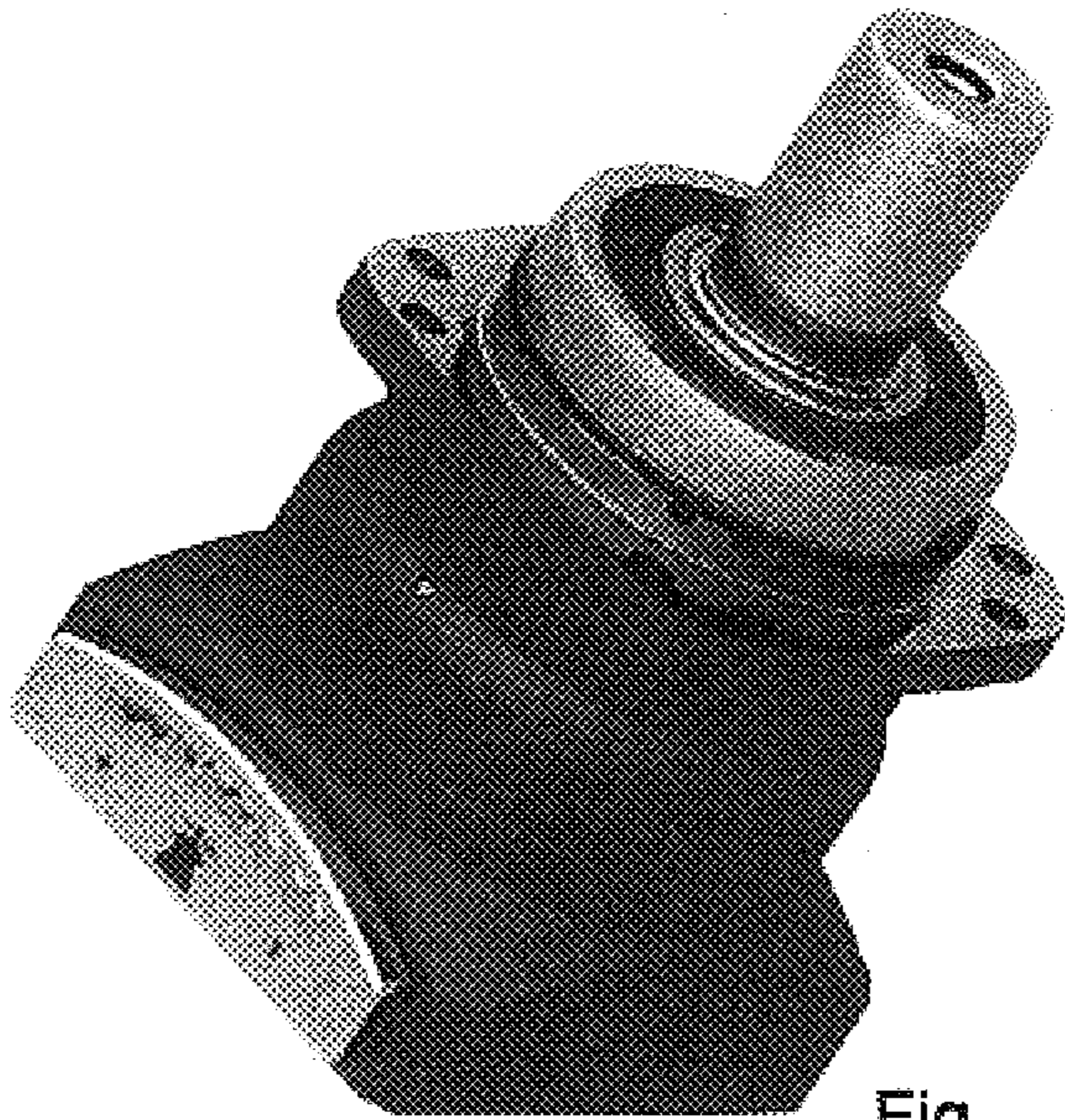


Fig. 1

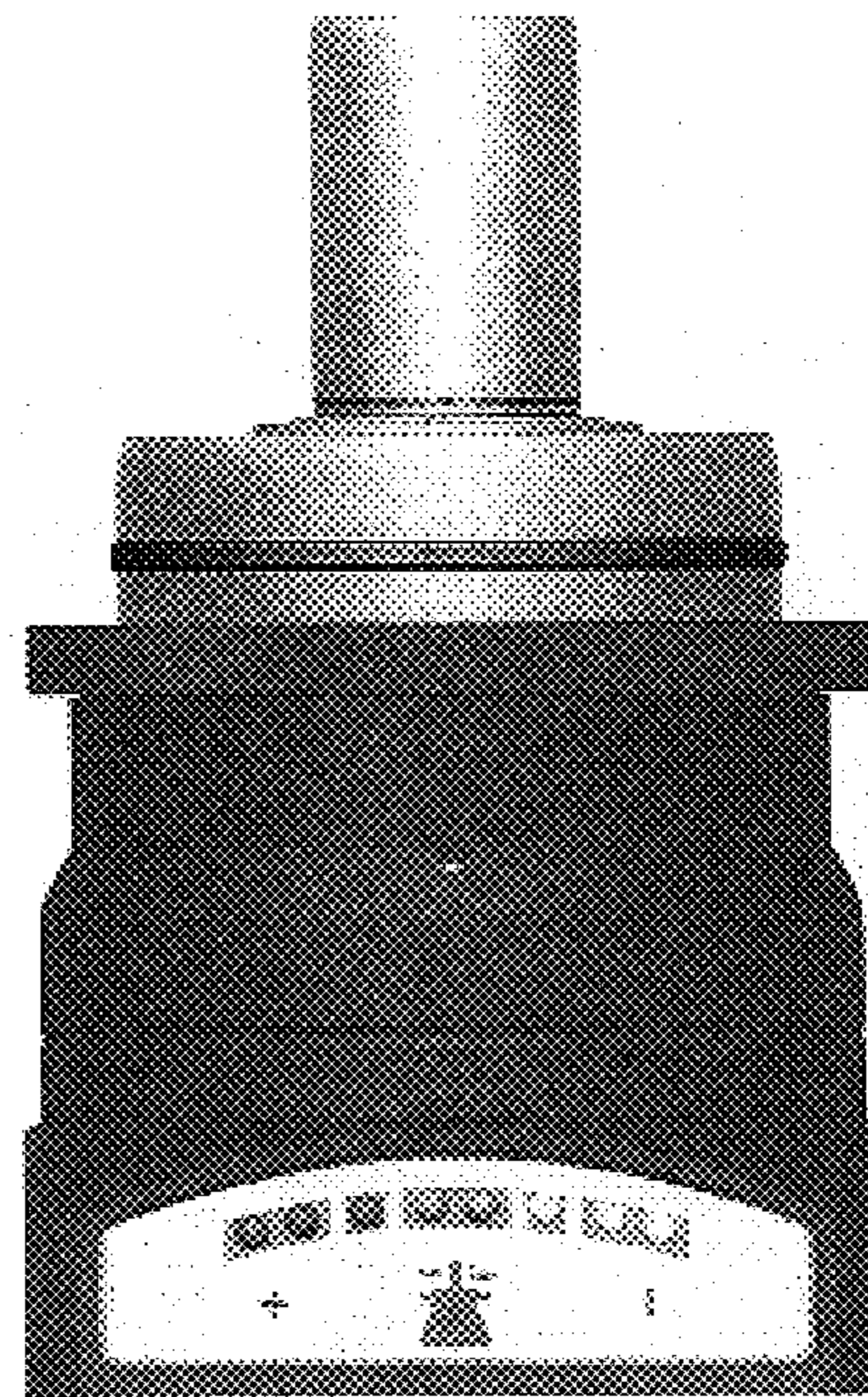


Fig. 2

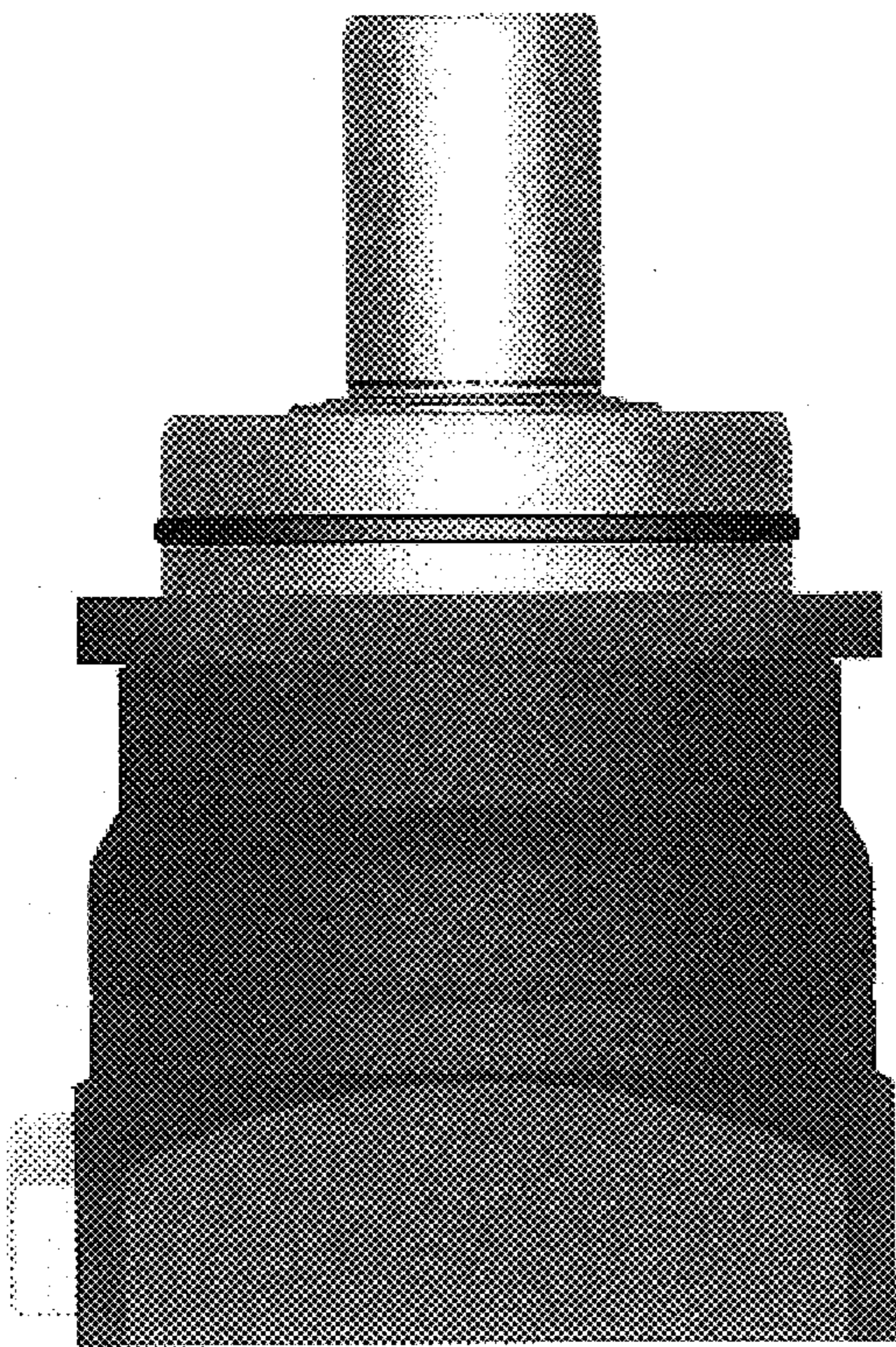


Fig. 3

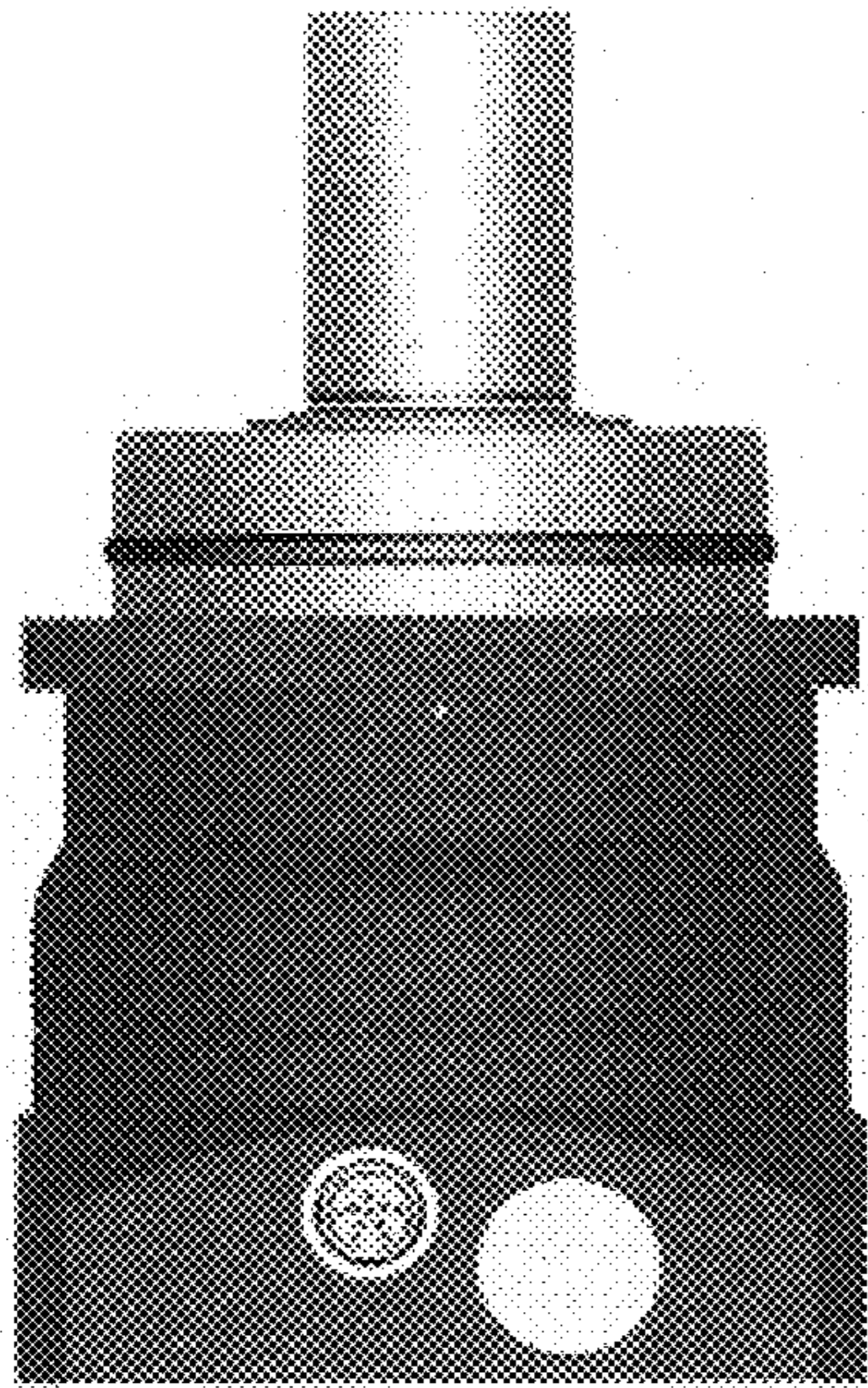


Fig. 4

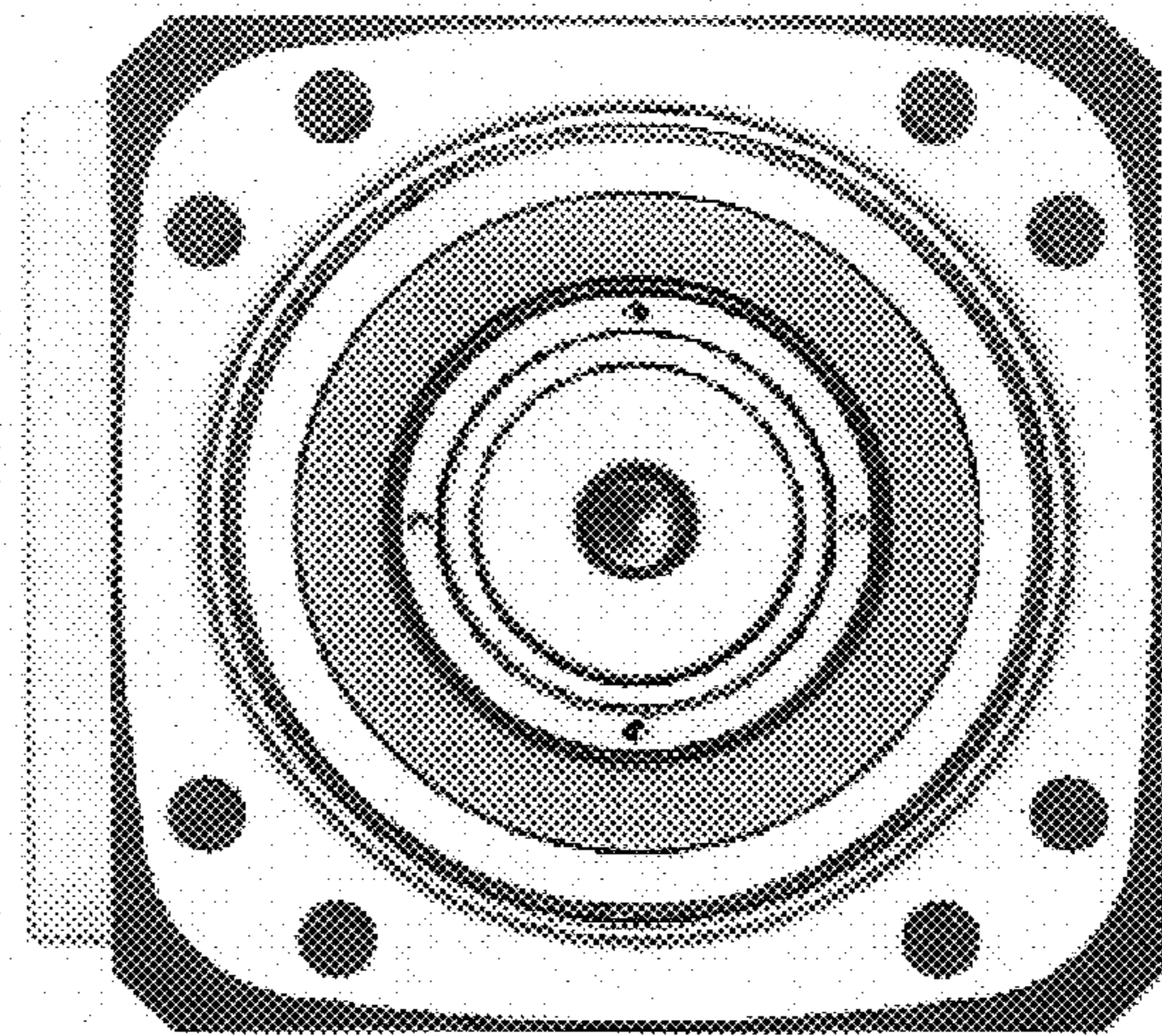


Fig. 5

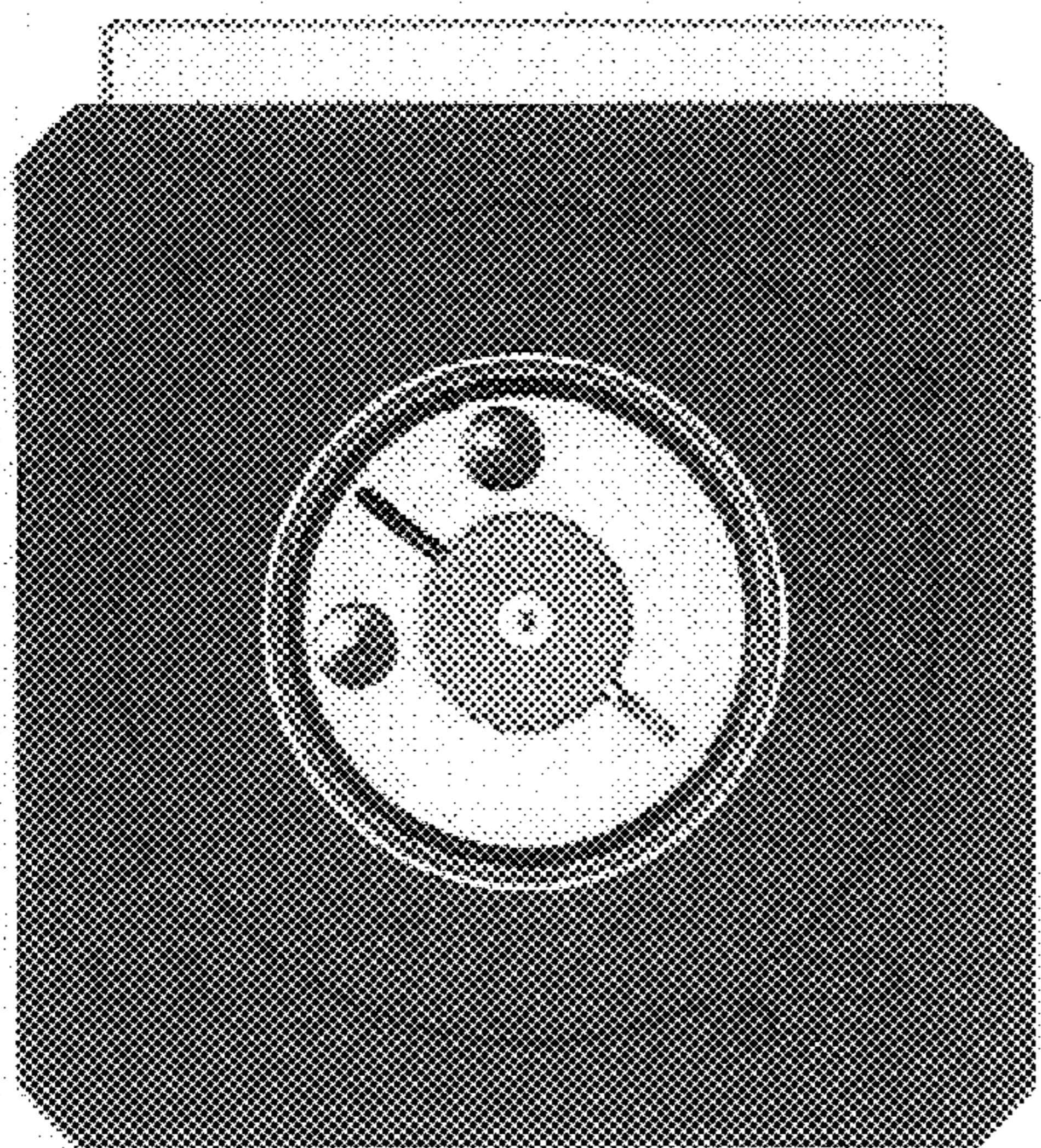


Fig. 6

UNITED STATES PATENT AND TRADEMARK OFFICE
CERTIFICATE OF CORRECTION

PATENT NO. : Des. 514,607 S
APPLICATION NO. : 29/189527
DATED : February 7, 2006
INVENTOR(S) : Manfred Wittenstein

Page 1 of 1

It is certified that error appears in the above-identified patent and that said Letters Patent is hereby corrected as shown below:

Title Page, insert (30)
Foreign Application Priority Data --April 5, 2003 (DE) 403 02 774.8--.

Signed and Sealed this

Twenty-eighth Day of August, 2007

A handwritten signature in black ink on a light gray dotted background. The signature reads "Jon W. Dudas" in a cursive style.

JON W. DUDAS

Director of the United States Patent and Trademark Office