



US00D514605S

(12) **United States Design Patent**
Olsen et al.

(10) **Patent No.:** **US D514,605 S**
(45) **Date of Patent:** **** Feb. 7, 2006**

(54) **GRINDING TOOL**

(75) Inventors: **Lars Olsen, Kalmar (SE); Karl Thysell, Soderkoping (SE)**

(73) Assignee: **HTC Sweden AB (SE)**

(**) Term: **14 Years**

(21) Appl. No.: **29/209,500**

(22) Filed: **Jul. 16, 2004**

(30) **Foreign Application Priority Data**

Jun. 30, 2004 (EM) 000197694

(51) **LOC (8) Cl.** **15-09**

(52) **U.S. Cl.** **D15/139**

(58) **Field of Classification Search** D15/138-139;
144/24.1, 218, 219, 235, 241; 409/33, 37,
409/49; 451/540-558

See application file for complete search history.

(56) **References Cited**

U.S. PATENT DOCUMENTS

- 669,915 A * 3/1901 Osterheld 38/102.2
- 5,819,827 A * 10/1998 Leonardi 144/241
- 5,971,840 A * 10/1999 Young 451/523
- 6,138,725 A * 10/2000 Leonardi et al. 144/235
- 6,662,837 B2 * 12/2003 Smith 144/241
- D486,839 S 2/2004 Sunagawa et al.

- D494,196 S 8/2004 Jeong
- 6,790,132 B1 * 9/2004 Slaughter, Jr. 451/57
- D498,486 S 11/2004 Eisenblaetter

* cited by examiner

Primary Examiner—Antoine D. Davis

(74) *Attorney, Agent, or Firm*—Michael G. Johnston;
Moore & Van Allen PLLC

(57) **CLAIM**

The ornamental design for a grinding tool, as shown and described.

DESCRIPTION

FIG. 1 is a perspective view of a grinding tool showing our new design.

FIG. 2 is a top plan view of the grinding tool shown in FIG. 1 showing our new design.

FIG. 3 is a bottom plan view of the grinding tool shown in FIG. 1 showing our new design.

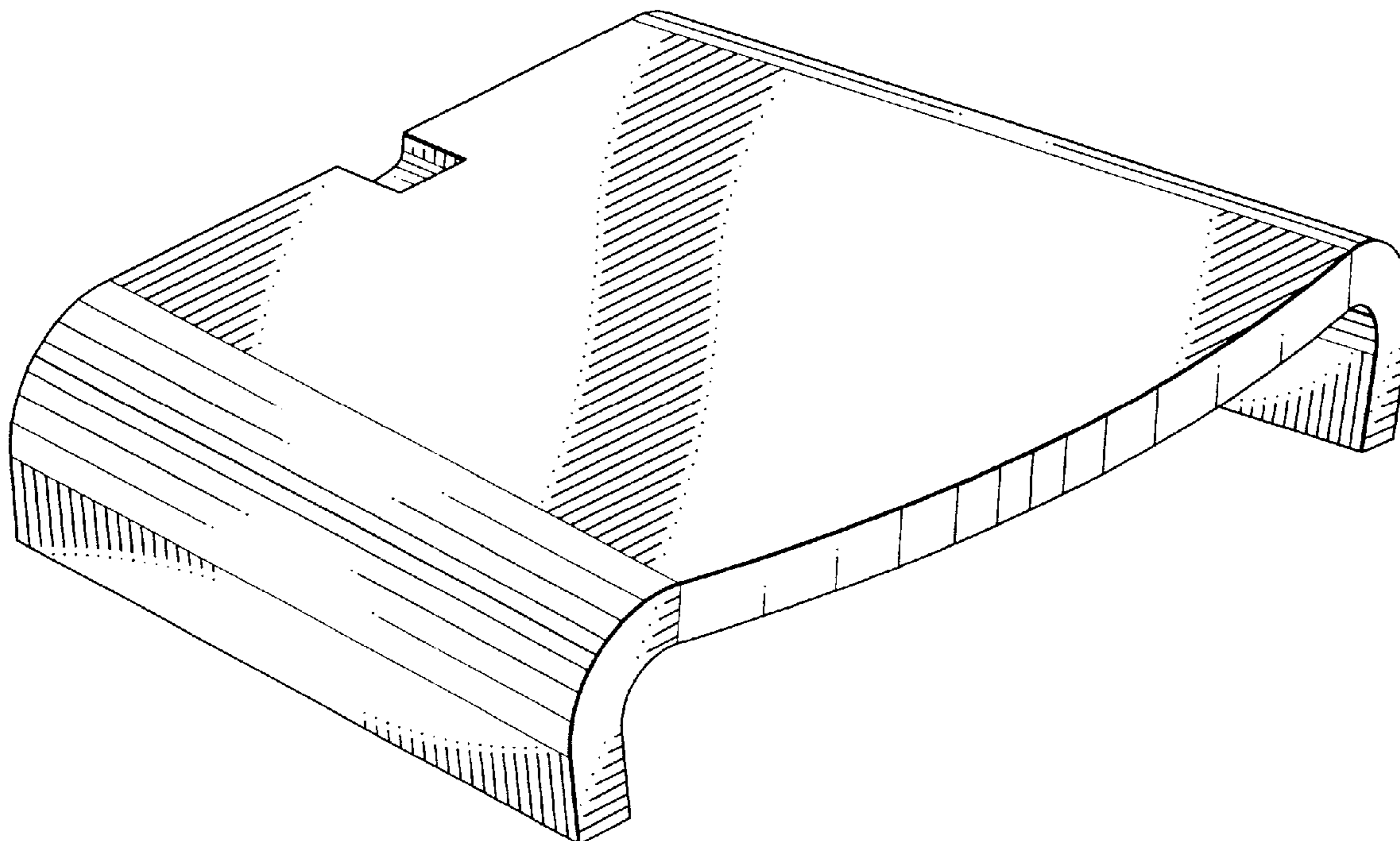
FIG. 4 is a front elevation view of the grinding tool shown in FIG. 1 showing our new design.

FIG. 5 is a rear elevation view of the grinding tool shown in FIG. 1 showing our new design.

FIG. 6 is a right side view of the grinding tool shown in FIG. 1 showing our new design; and,

FIG. 7 is a left side view of the grinding tool shown in FIG. 1 showing our new design.

1 Claim, 4 Drawing Sheets



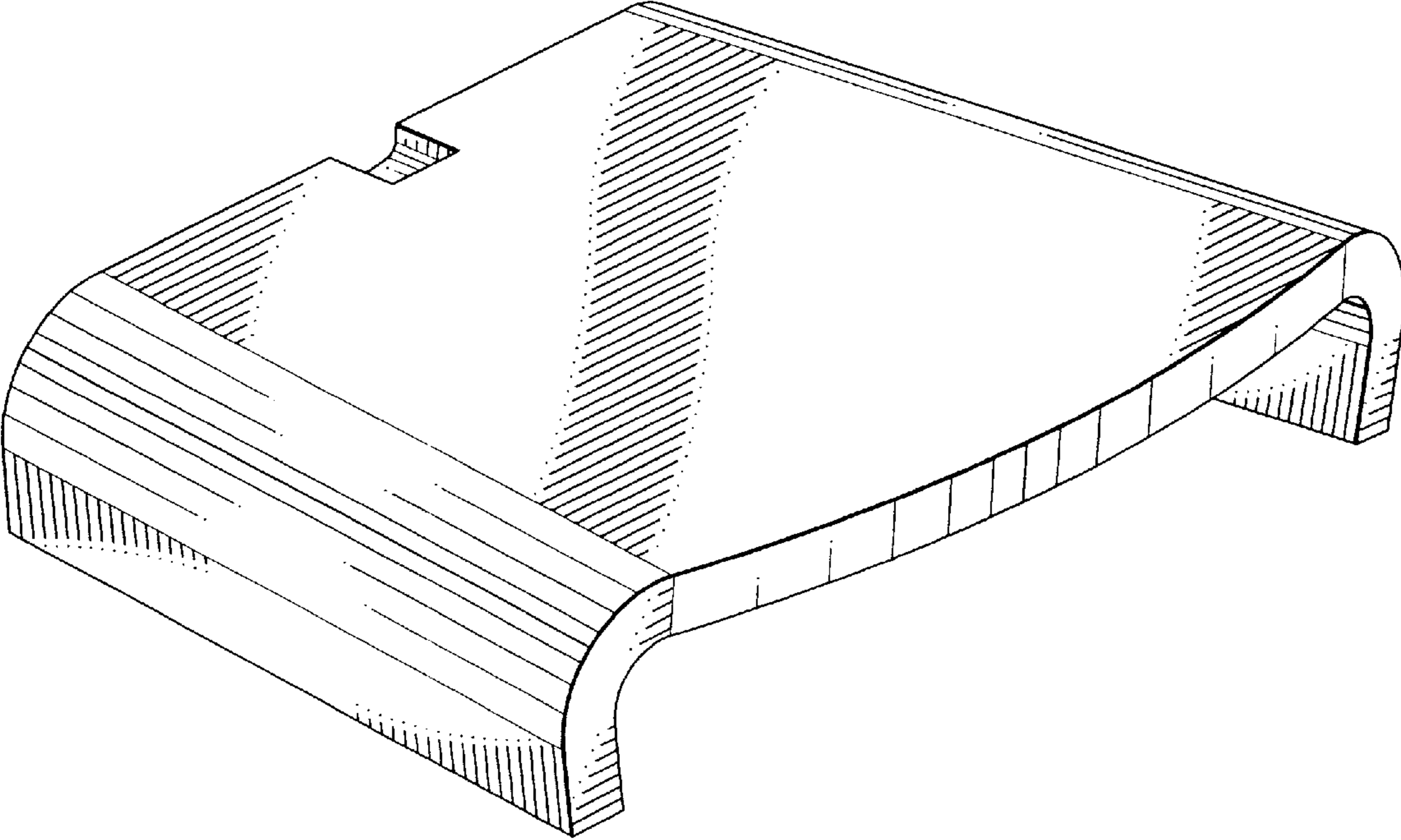


FIG. 1

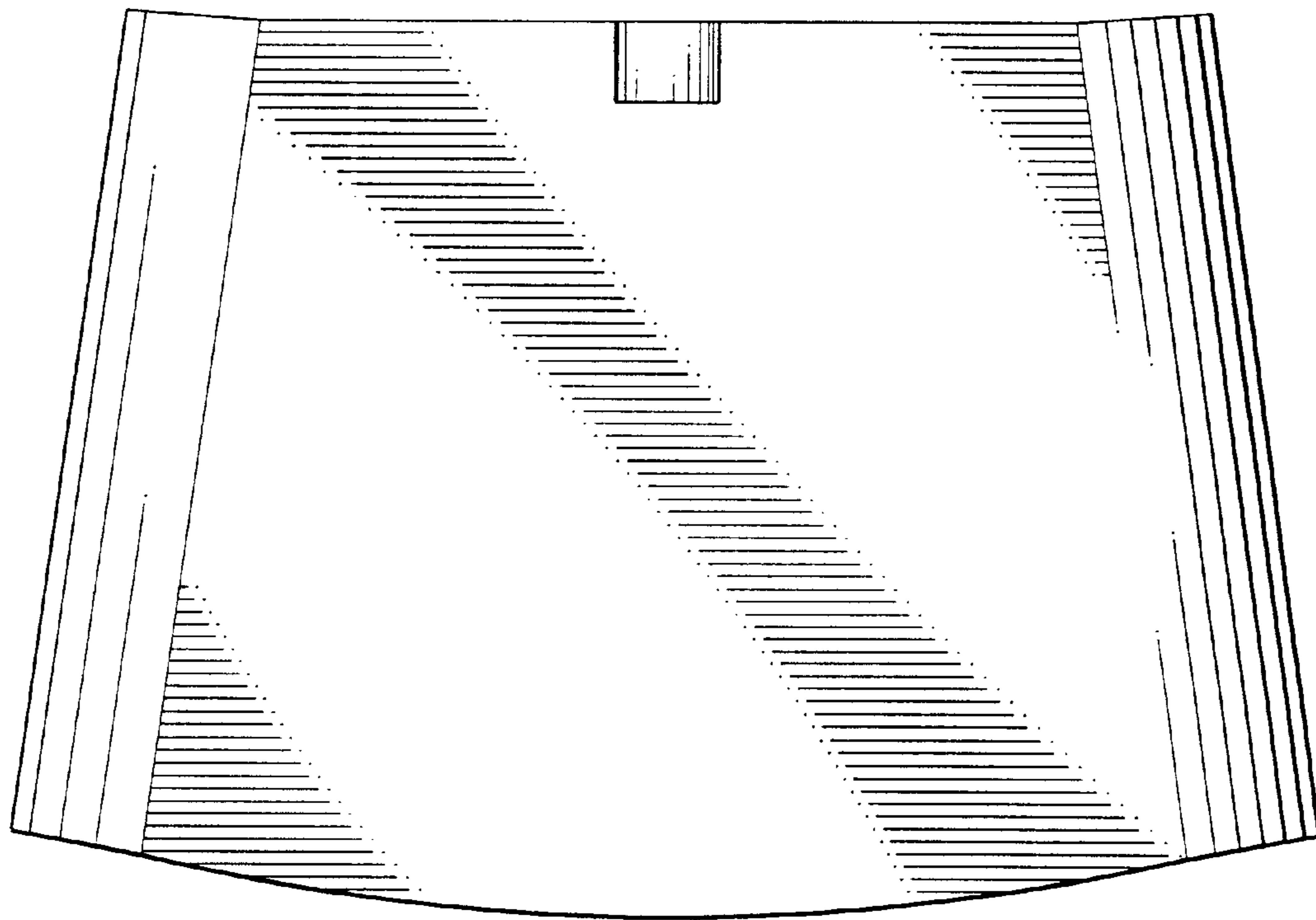


FIG. 2

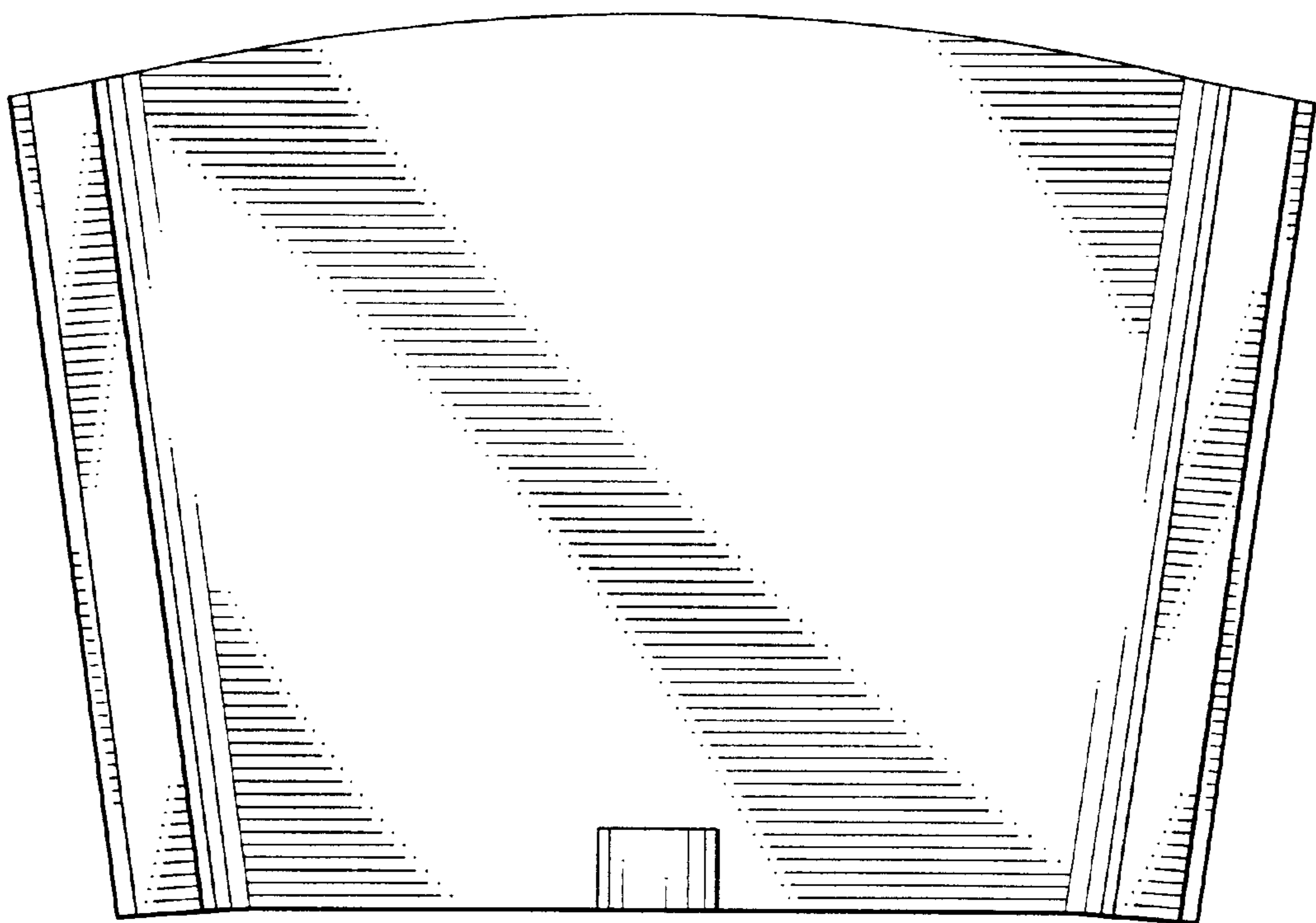


FIG. 3

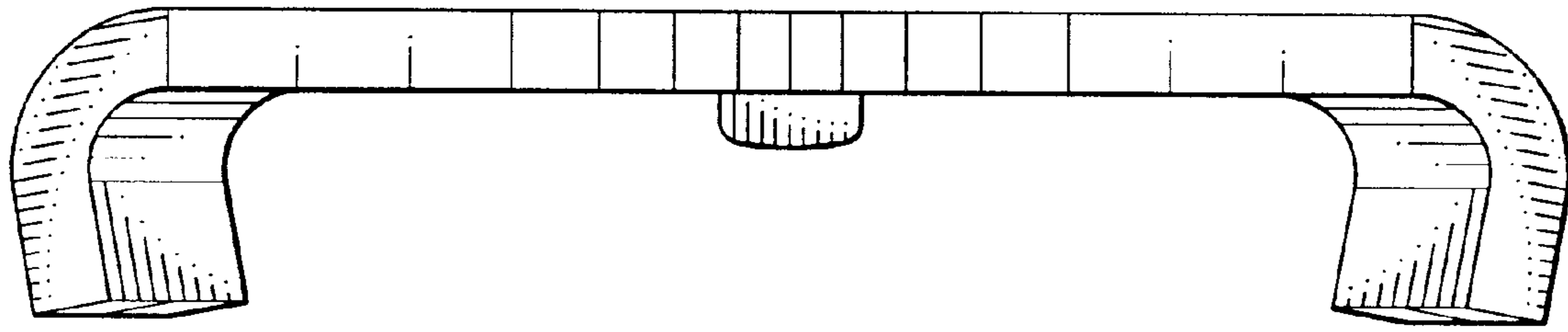


FIG. 4

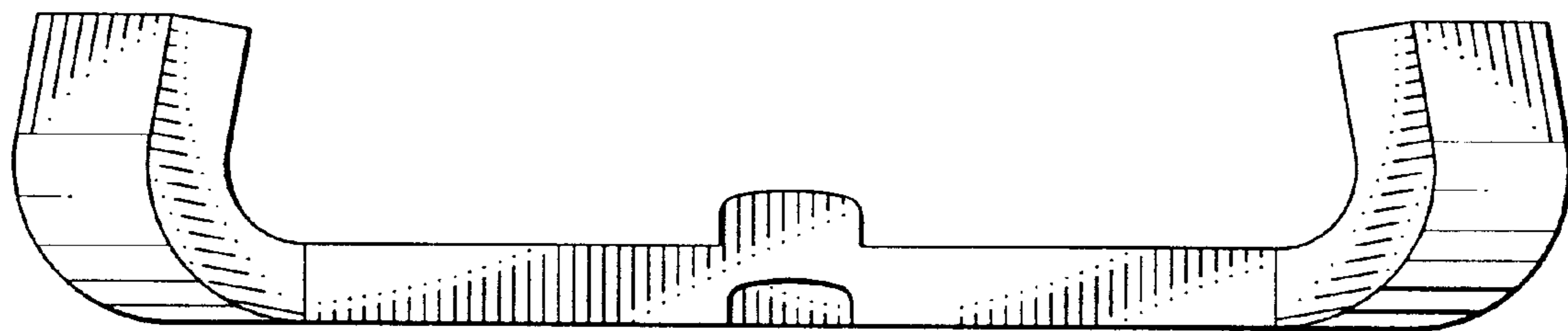


FIG. 5

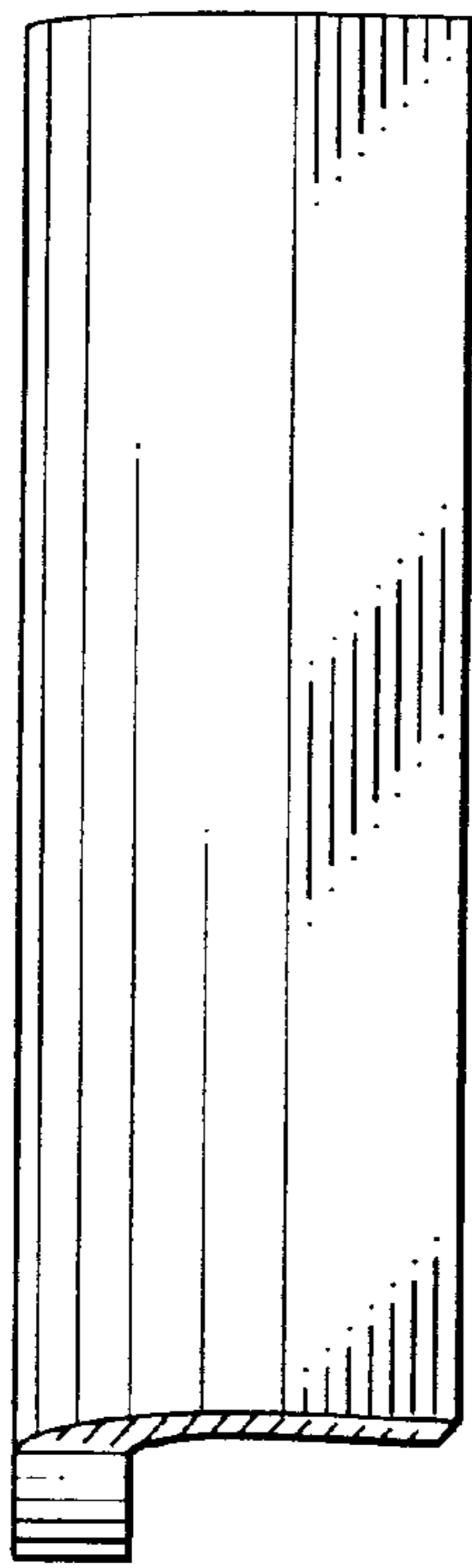


FIG. 6

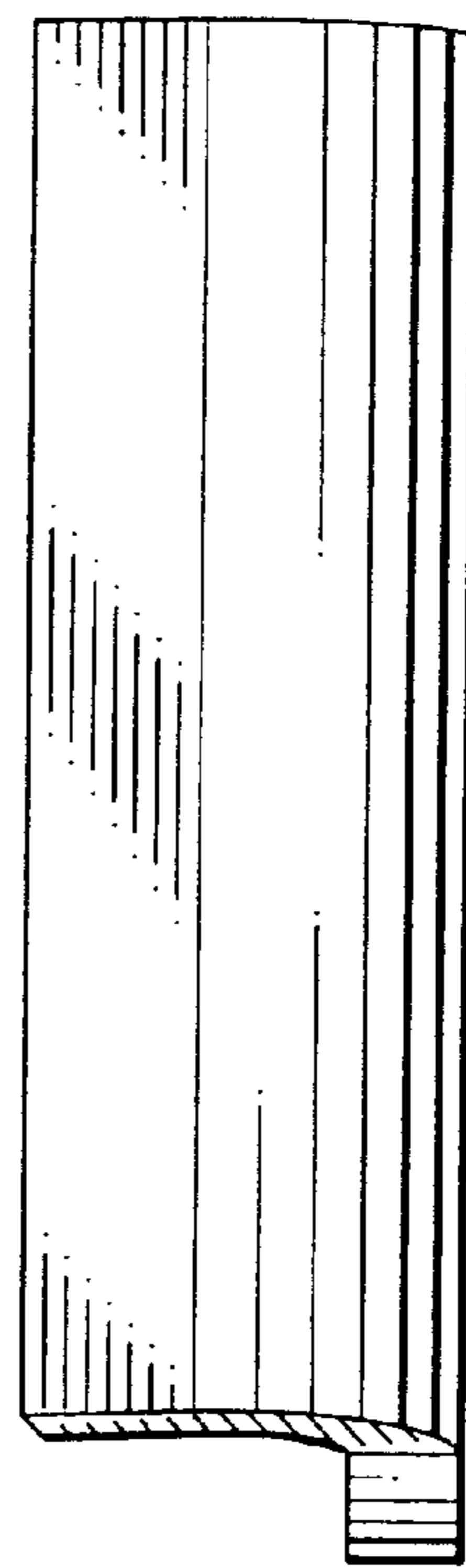


FIG. 7