



US00D514604S

(12) **United States Design Patent** (10) **Patent No.:** **US D514,604 S**
Welsh et al. (45) **Date of Patent:** **** Feb. 7, 2006**

(54) **PORTIONS OF A TABLE SAW**

(75) Inventors: **Robert P. Welsh**, Hunt Valley, MD (US); **David E. Duncanson**, W. Newbury, MA (US); **Mark A. Nichols**, Boston, MA (US); **Scott E. Stropkay**, Carlisle, MA (US)

(73) Assignee: **Black & Decker Inc.**, Newark, DE (US)

(**) Term: **14 Years**

(21) Appl. No.: **29/214,902**

(22) Filed: **Oct. 12, 2004**

Related U.S. Application Data

(63) Continuation of application No. 29/183,330, filed on Jun. 10, 2003, now Pat. No. Des. 498,773, which is a continuation of application No. 29/162,688, filed on Jun. 19, 2002, now Pat. No. Des. 479,538, which is a continuation of application No. 29/144,360, filed on Jun. 29, 2001, now Pat. No. Des. 461,456, which is a continuation of application No. 29/132,607, filed on Nov. 9, 2000, now Pat. No. Des. 447,497, which is a continuation of application No. 29/121,606, filed on Apr. 11, 2000, now Pat. No. Des. 440,239, which is a continuation of application No. 29/111,726, filed on Oct. 1, 1999, now Pat. No. Des. 427,214, which is a continuation of application No. 29/103,366, filed on Apr. 13, 1999, now Pat. No. Des. 422,290.

(51) **LOC (8) Cl.** **15-09**

(52) **U.S. Cl.** **D15/133**

(58) **Field of Classification Search** D15/133; 83/432, 435, 477, 468.7, 468.3, 477.2, 478; 144/287

See application file for complete search history.

(56) **References Cited**

U.S. PATENT DOCUMENTS

D326,666 S	*	6/1992	Miyamoto et al.	D15/127
5,123,317 A	*	6/1992	Barnes et al.	83/98
5,158,001 A	*	10/1992	Udelhofen et al.	83/100
5,174,349 A	*	12/1992	Svetlik et al.	144/286.5
D377,654 S	*	1/1997	Jedlicka et al.	D15/133
5,619,896 A	*	4/1997	Chen	83/477.2
D394,071 S	*	5/1998	Ceroll et al.	D15/133
D411,090 S	*	6/1999	Chang	D8/66
D422,290 S	*	4/2000	Welsh et al.	D15/133

* cited by examiner

Primary Examiner—Antoine D. Davis

(74) *Attorney, Agent, or Firm*—Adan Ayala

(57) **CLAIM**

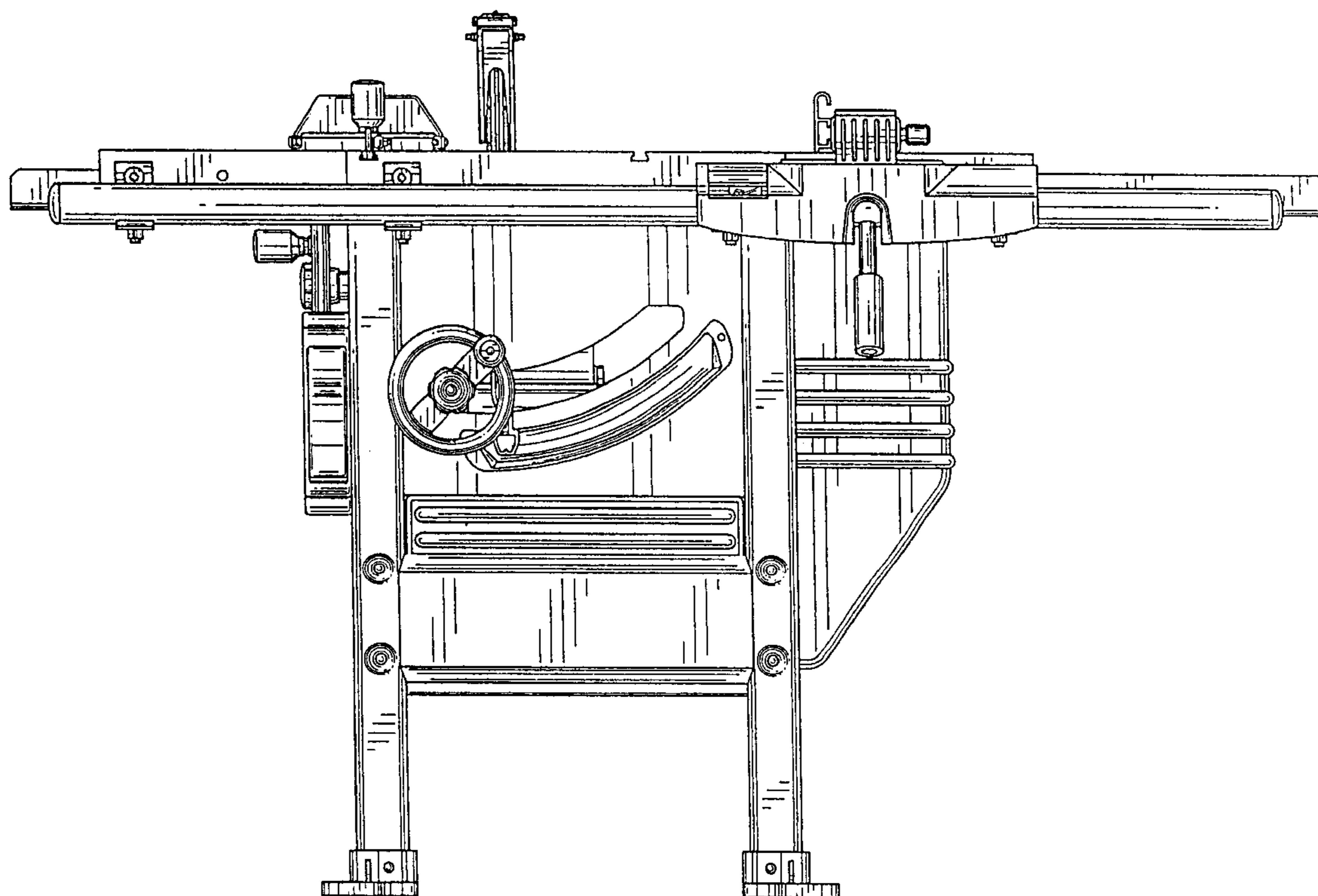
The ornamental design for portions of a table saw, as shown and described.

DESCRIPTION

FIG. 1 is a front elevational view of portions of a table saw according to the invention.

The broken line showing of a table saw is for illustrative purposes only and forms no part of the claimed design.

1 Claim, 1 Drawing Sheet



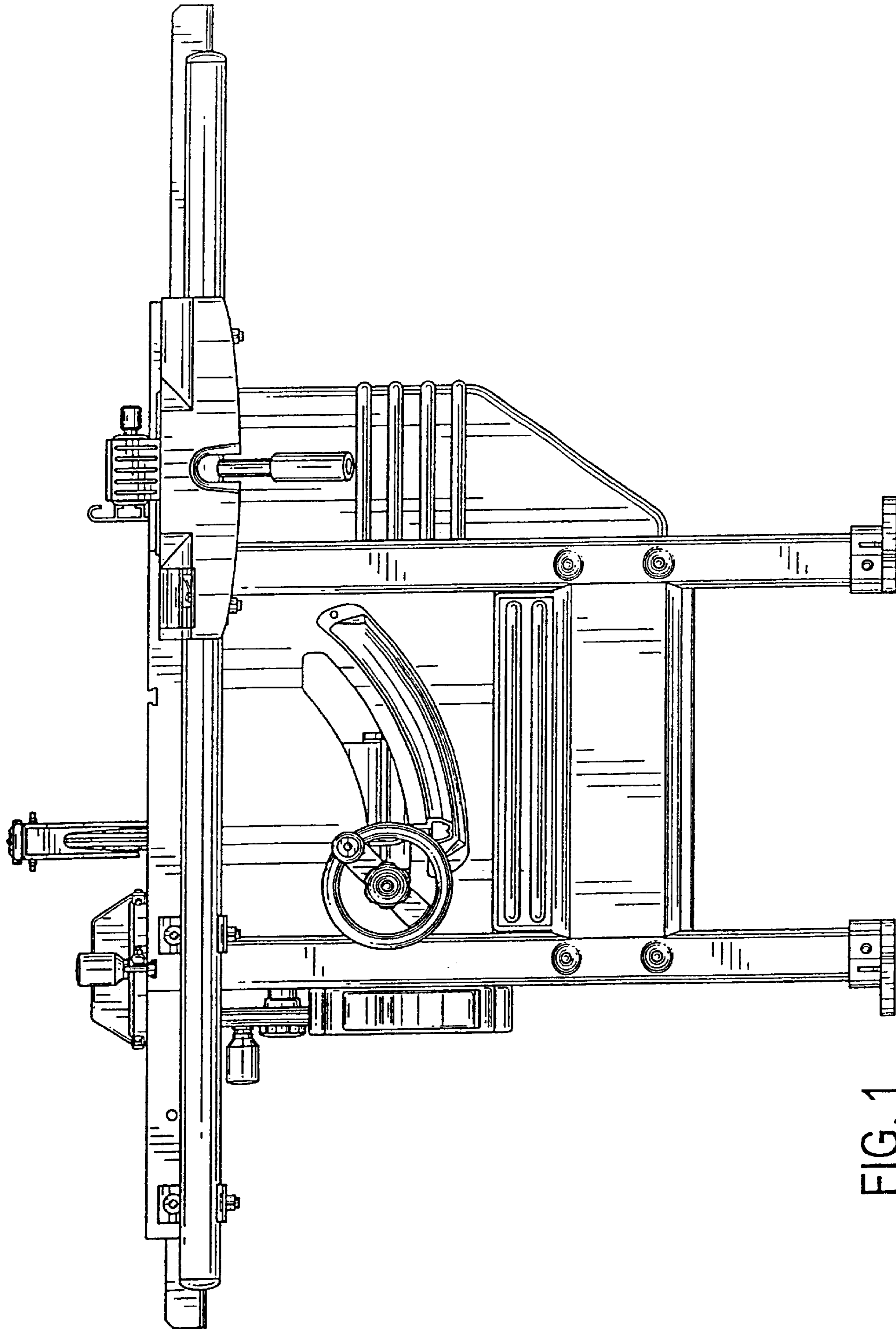


FIG. 1