



US00D514601S

(12) **United States Design Patent**
Helman et al.

(10) **Patent No.:** **US D514,601 S**
(45) **Date of Patent:** **** Feb. 7, 2006**

- (54) **ICE CREAM CART**
- (75) Inventors: **Barry Helman**, Malibu, CA (US);
Andrew Helman, Ventura, CA (US);
Gregg Bond, Beverly Hills, CA (US)
- (73) Assignee: **The Helman Group, Ltd.**, Oxnard, CA (US)
- (**) Term: **14 Years**
- (21) Appl. No.: **29/209,956**
- (22) Filed: **Jul. 23, 2004**
- (51) **LOC (8) Cl.** **15-07**
- (52) **U.S. Cl.** **D15/82**
- (58) **Field of Classification Search** D15/79,
D15/80, 82, 89, 90; 62/246-255, 337, 457,
62/440-449, 3.6; 312/116, 401; 220/592.04,
220/592.12, 592.14; D23/332, 335, 314;
D23/222/1; D7/308, 681
See application file for complete search history.

- 4,660,740 A * 4/1987 Brandon et al. 222/1
- D378,215 S * 2/1997 Gander D15/82
- D394,499 S * 5/1998 Bettag et al. D23/332
- D448,391 S * 9/2001 Stauffer et al. D15/79
- D466,138 S * 11/2002 Baldonado et al. D15/82

* cited by examiner

Primary Examiner—Nanda Bondade
Assistant Examiner—Shanda C. Hill
(74) *Attorney, Agent, or Firm*—Marvin E. Jacobs

(57) **CLAIM**

The ornamental design for ice cream cart, as shown and described.

DESCRIPTION

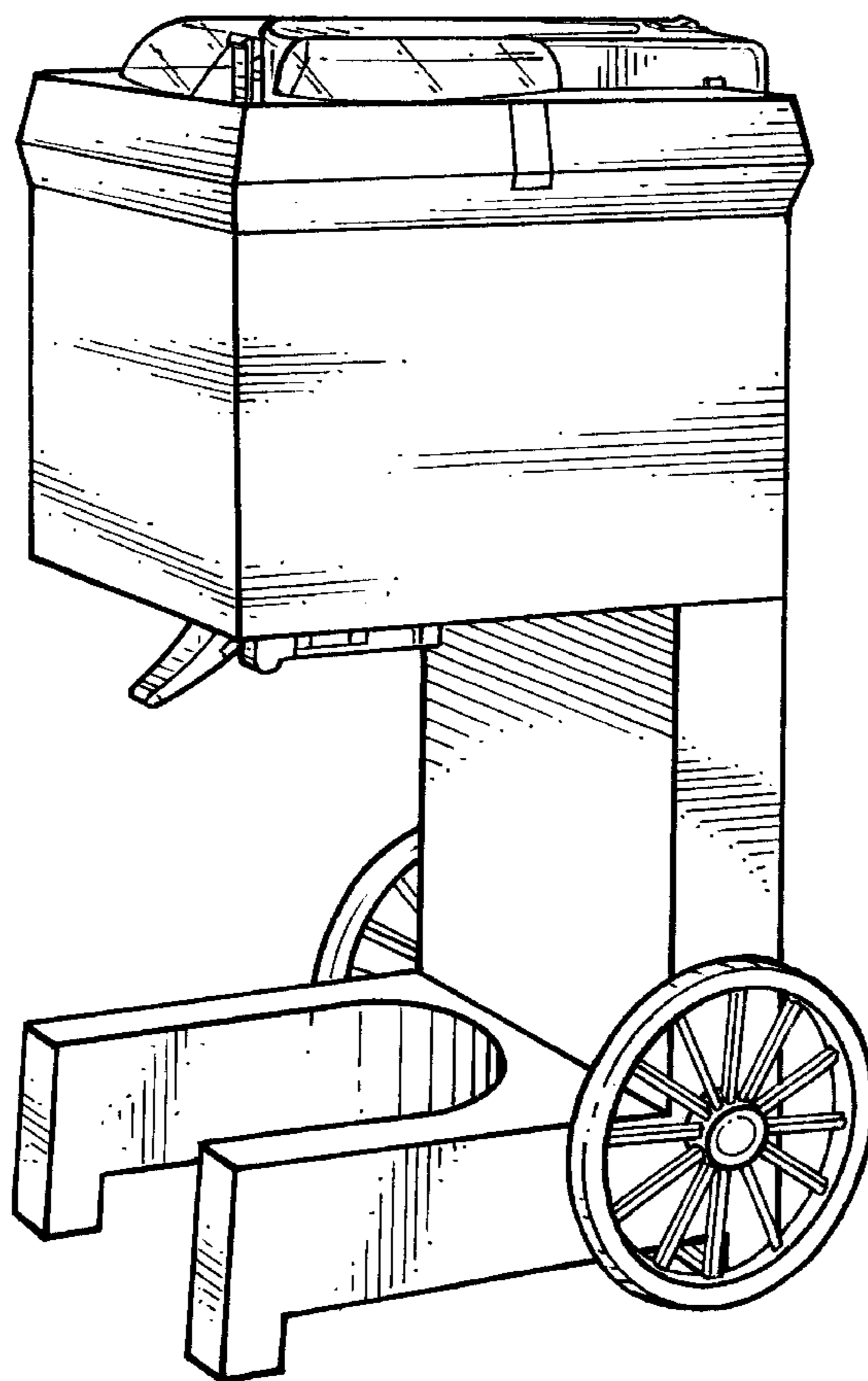
FIG. 1 is a perspective view of an ice cream cart showing our new design;
FIG. 2 is a front elevational view thereof;
FIG. 3 is a right side elevational view thereof, the left side elevational view being a mirror image thereto;
FIG. 4 is a rear elevational view thereof;
FIG. 5 is a top plan view thereof; and,
FIG. 6 is a bottom plan view thereof.

(56) **References Cited**

U.S. PATENT DOCUMENTS

D276,814 S * 12/1984 Koeneman et al. D15/80

1 Claim, 3 Drawing Sheets



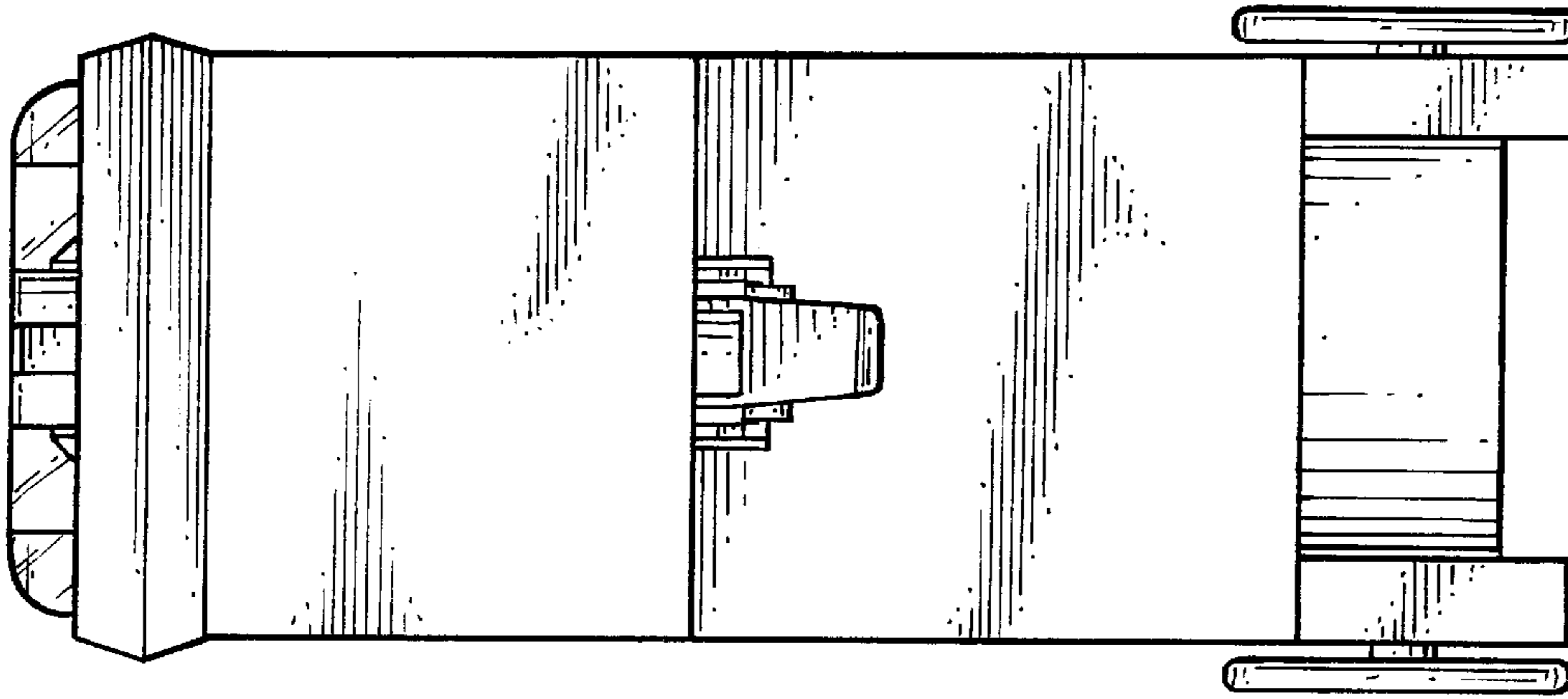


Fig. 2.

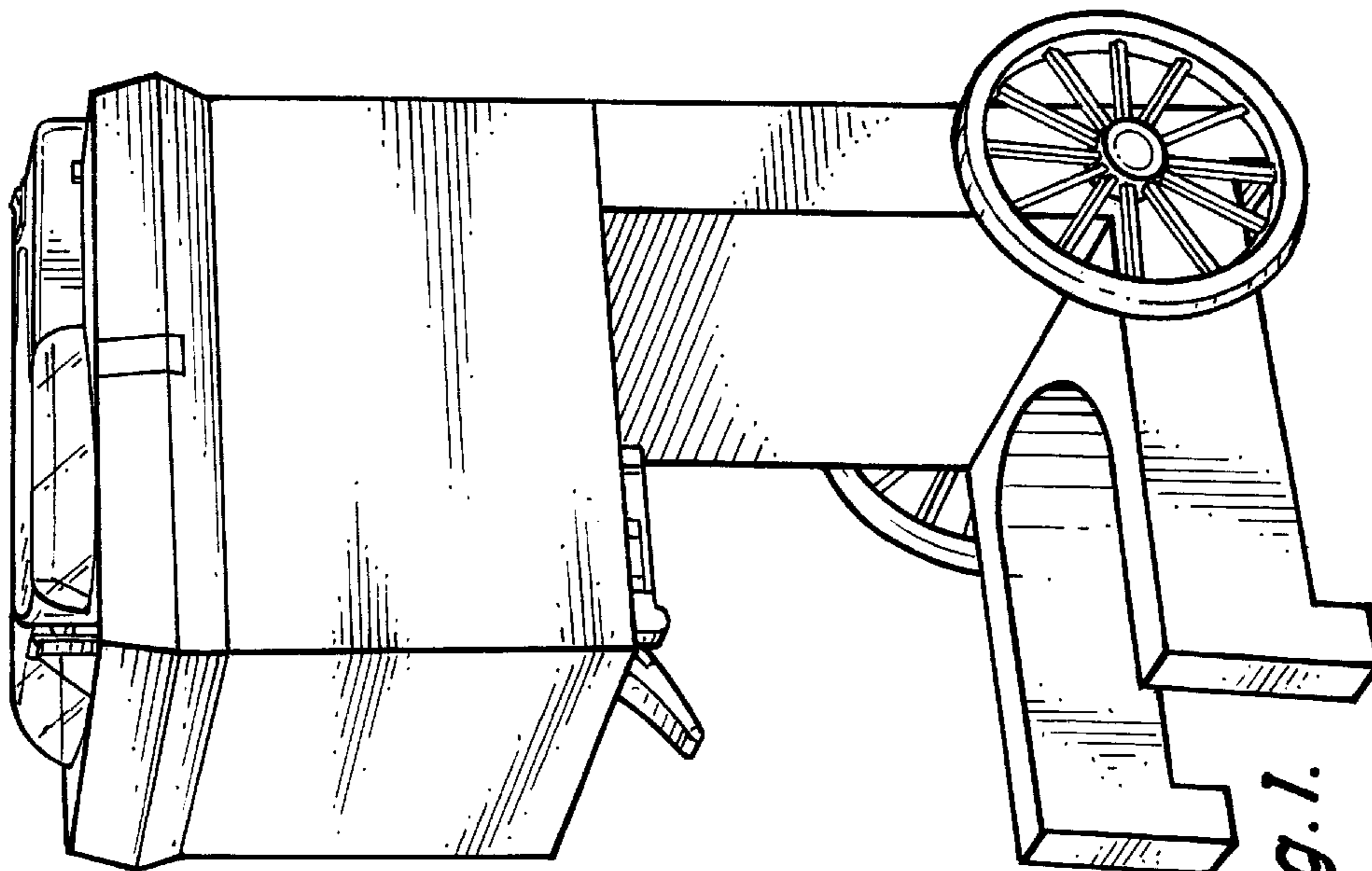


Fig. 1.

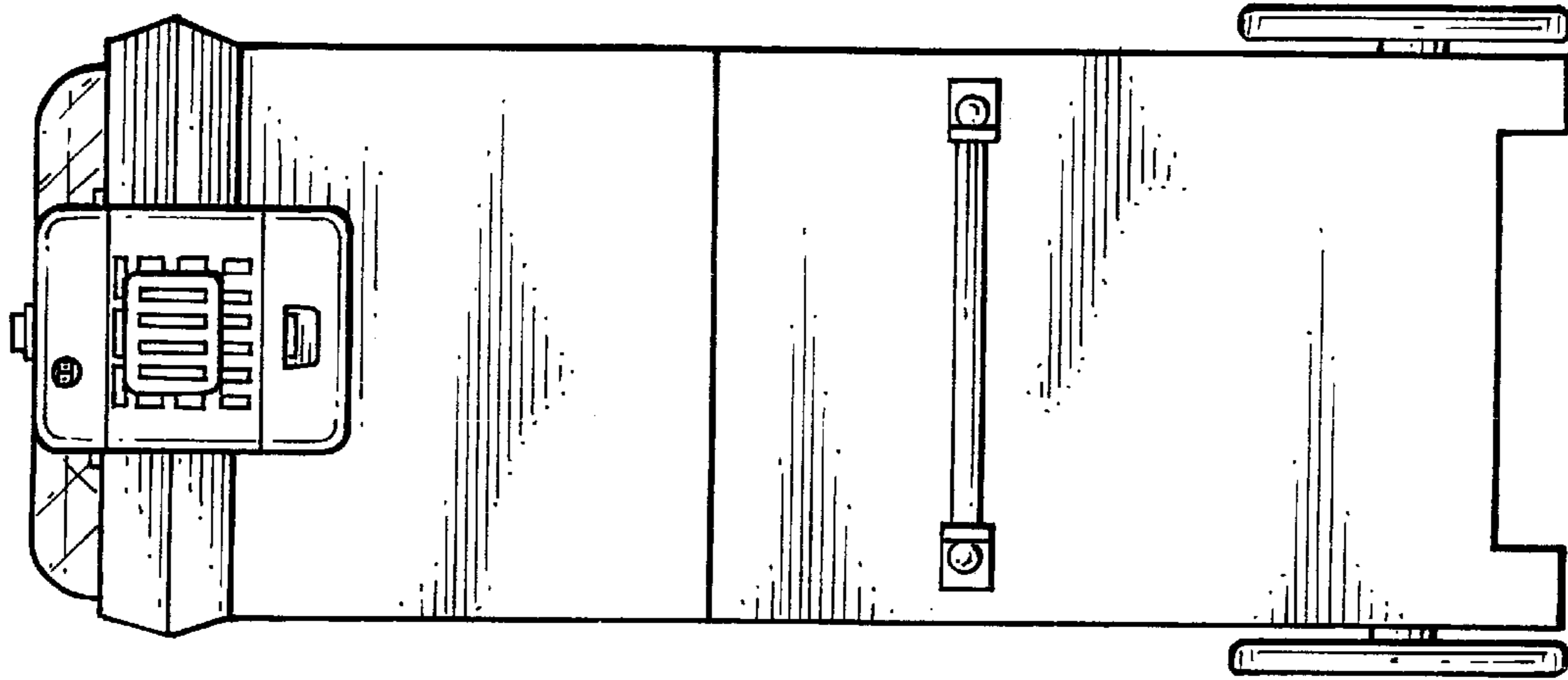


Fig. 4.

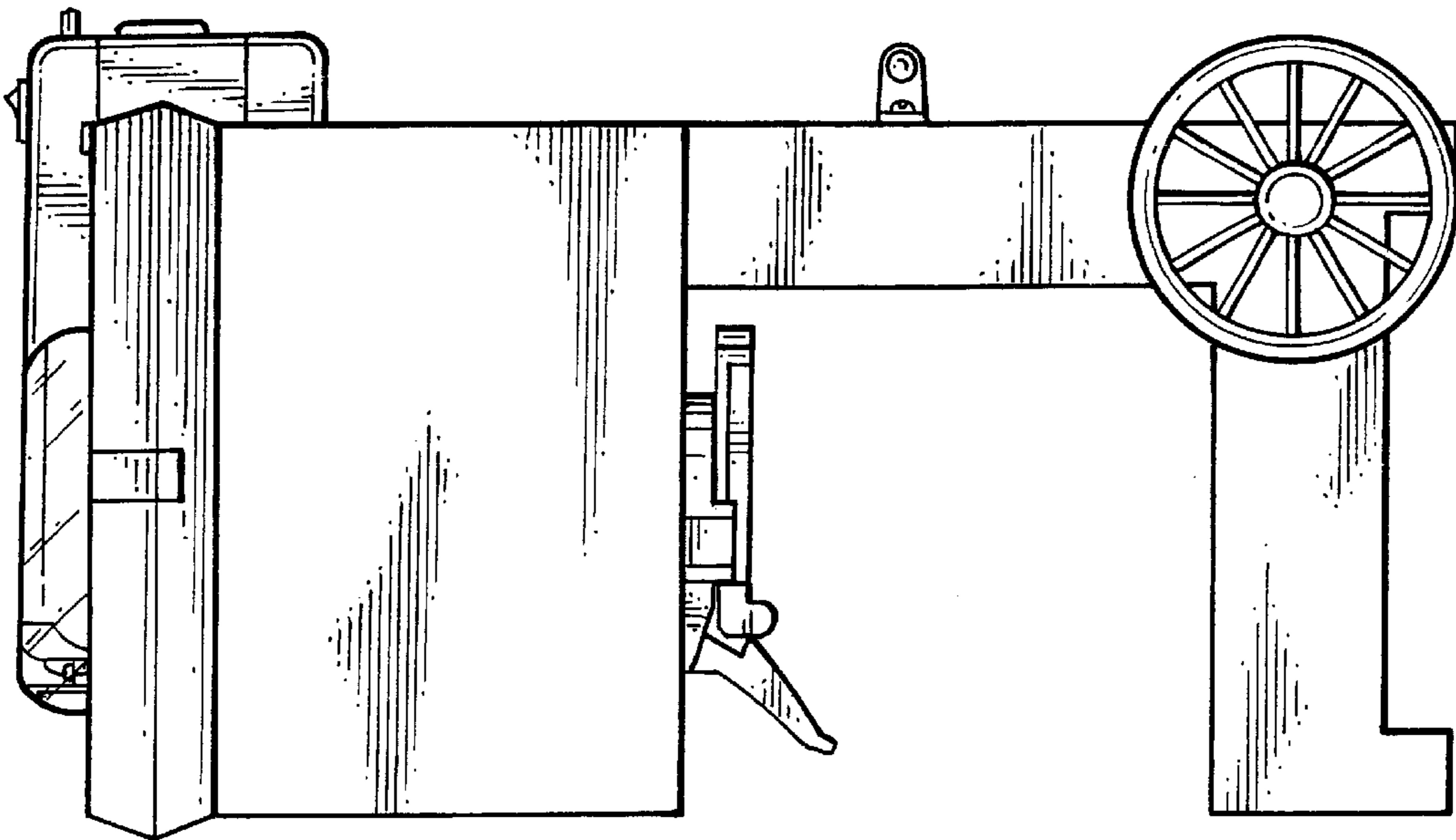


Fig. 3.

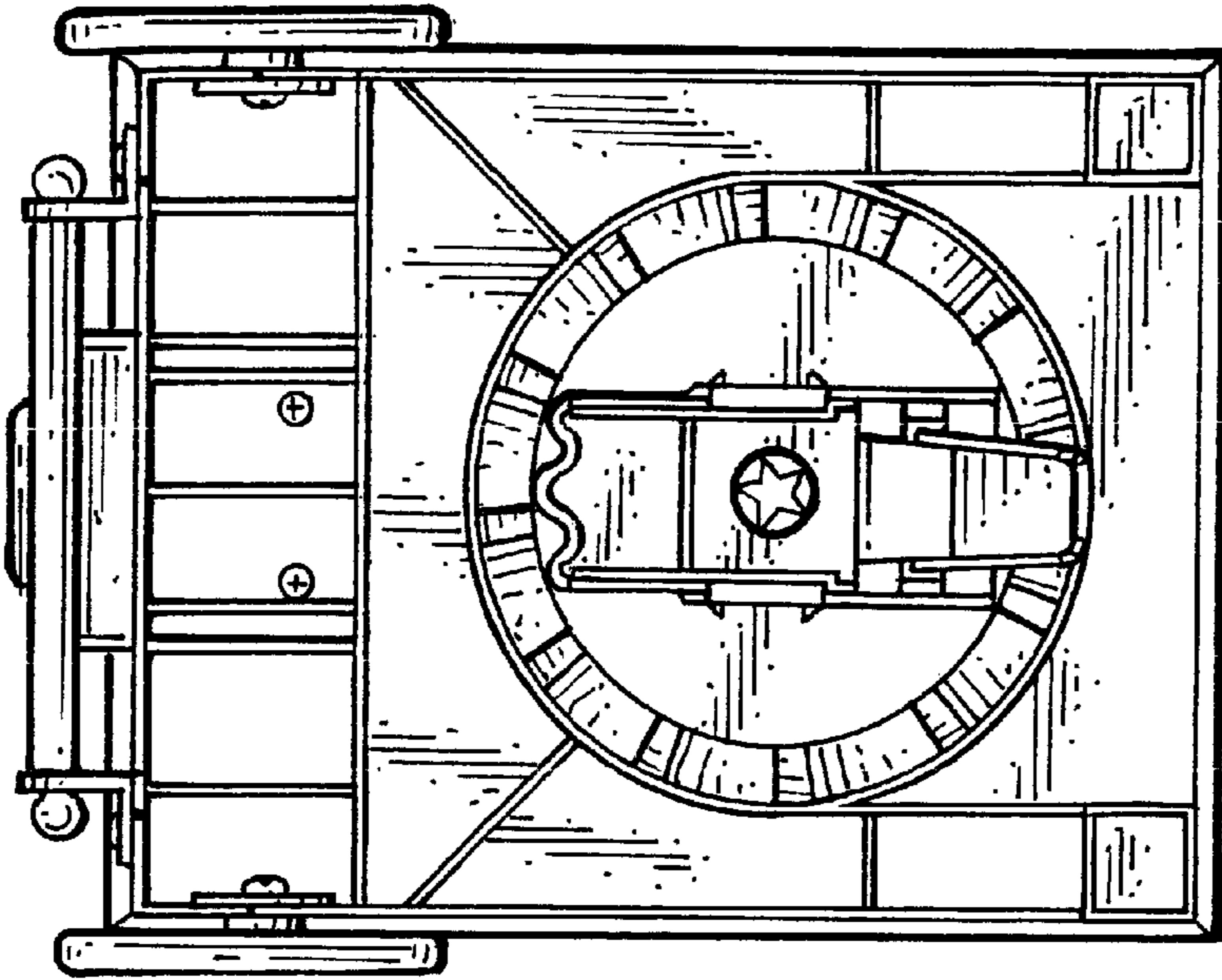


Fig. 6.

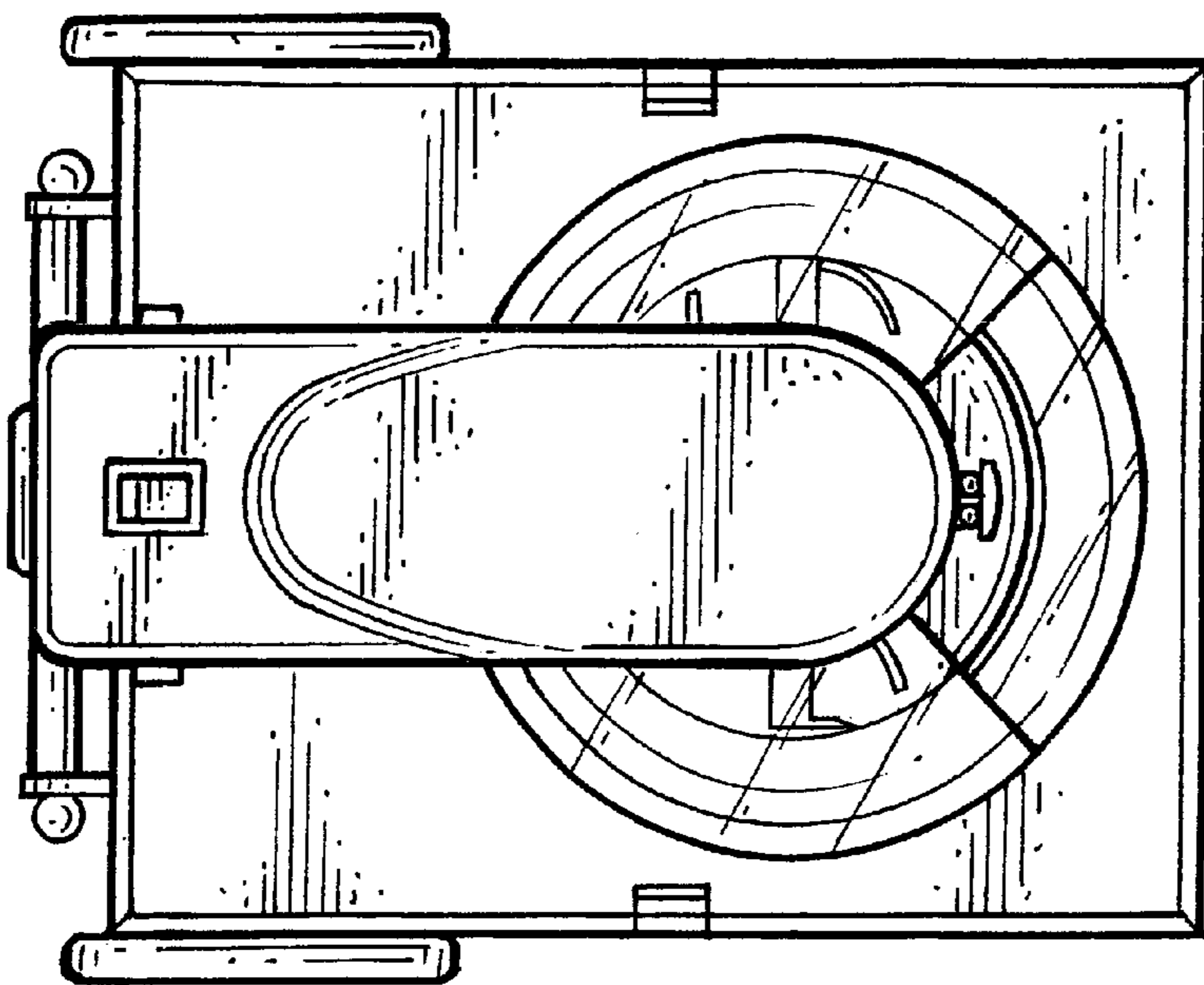


Fig. 5.