



US00D514597S

(12) **United States Design Patent**
Lynch

(10) **Patent No.:** **US D514,597 S**
(45) **Date of Patent:** **** Feb. 7, 2006**

- (54) **SYNTHETIC TURF GROOMER**
- (75) **Inventor:** **David H. Lynch**, Olathe, KS (US)
- (73) **Assignee:** **Lynch Supply, Inc.**, Lenexa, KS (US)
- (**) **Term:** **14 Years**
- (21) **Appl. No.:** **29/217,645**
- (22) **Filed:** **Nov. 19, 2004**
- (51) **LOC (8) Cl.** **15-03**
- (52) **U.S. Cl.** **D15/27**
- (58) **Field of Classification Search** **D15/10,**
D15/14, 17, 27, 28, 33; D12/101; 15/78,
15/201, 159.1; 56/7, 400.17; 172/612, 669,
172/674, 676, 142
See application file for complete search history.

4,747,174 A	5/1988	Hightower	
4,881,603 A	11/1989	Hartman	
4,896,485 A	1/1990	Gordy	
4,989,676 A	2/1991	Rogers	
5,018,587 A *	5/1991	Gandrud et al.	172/612
5,477,927 A	12/1995	Figura	
5,833,013 A	11/1998	Davis	
6,655,469 B1	12/2003	Davis	
6,659,191 B1	12/2003	Humphrey	

* cited by examiner

Primary Examiner—Stella Reid
Assistant Examiner—Mark A. Goodwin
(74) *Attorney, Agent, or Firm*—Hovey Williams LLP

(57) **CLAIM**

The ornamental design for a synthetic turf groomer, as shown and described.

DESCRIPTION

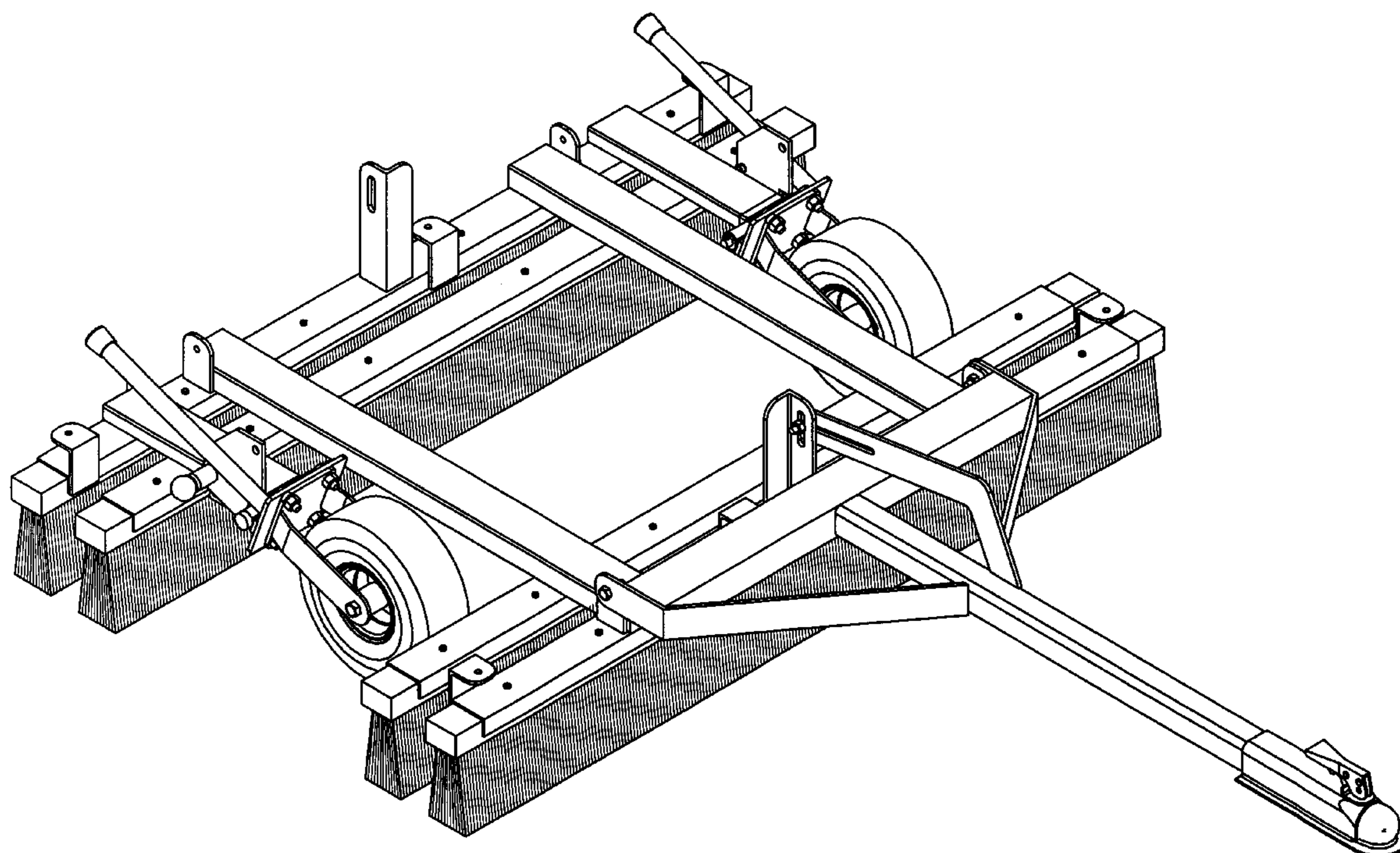
FIG. 1 is a top right front perspective view of a synthetic turf groomer embodying the design of the present invention; FIG. 2 is a top left rear perspective view thereof; FIG. 3 is a top plan view thereof; FIG. 4 is a right side elevational view thereof; FIG. 5 is a rear elevational view thereof; and, FIG. 6 is a front elevational view thereof.

1 Claim, 4 Drawing Sheets

(56) **References Cited**

U.S. PATENT DOCUMENTS

1,033,551 A *	7/1912	Davis	172/142
1,888,128 A	11/1932	Hester	
1,997,248 A	4/1935	Densberger	
2,617,343 A	11/1952	Warne	
2,962,946 A	12/1960	Neff	
3,525,201 A *	8/1970	Kaufman	56/7
4,596,290 A	6/1986	Bedney	
4,723,787 A	2/1988	Hadley et al.	



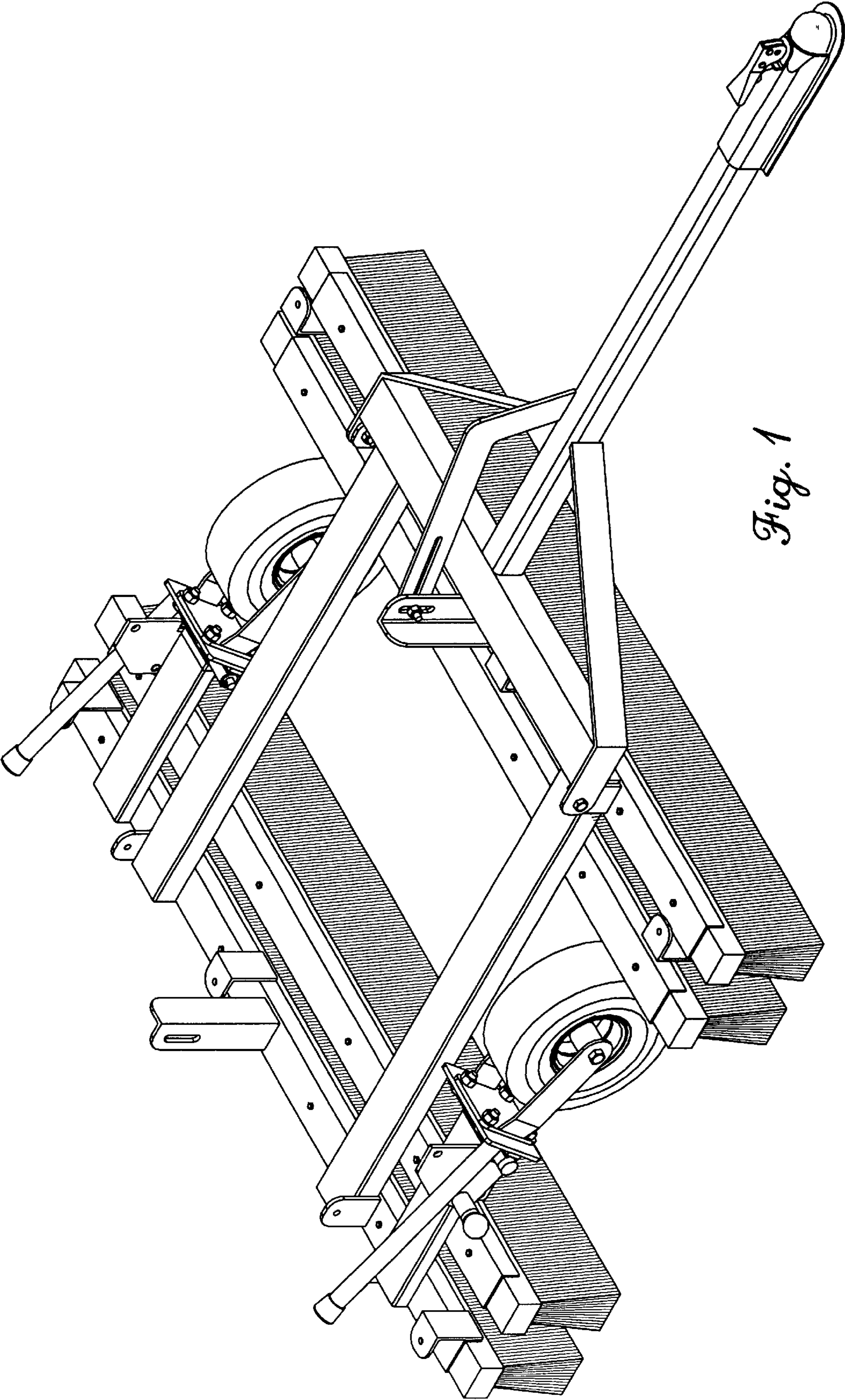


Fig. 1

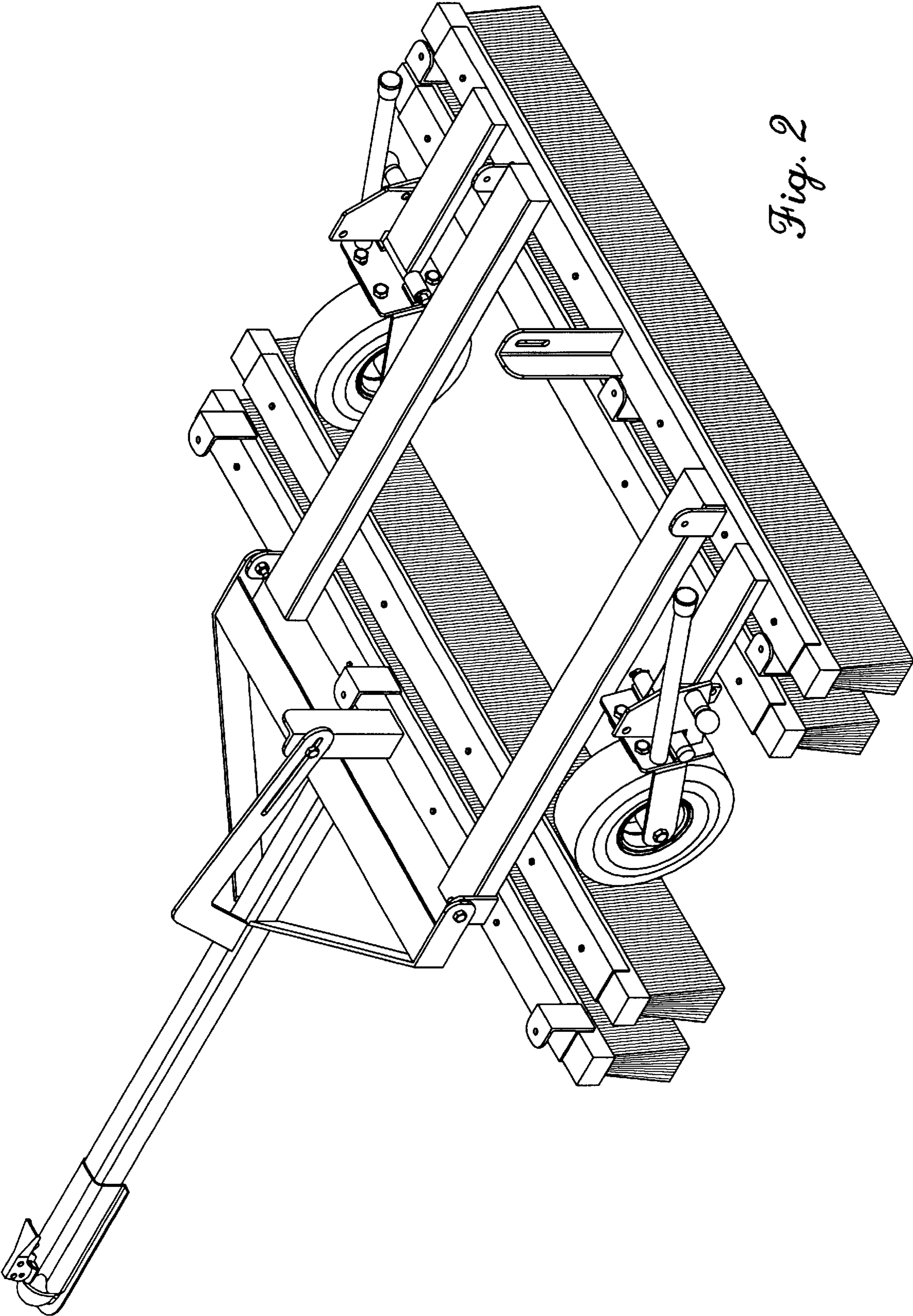


Fig. 2

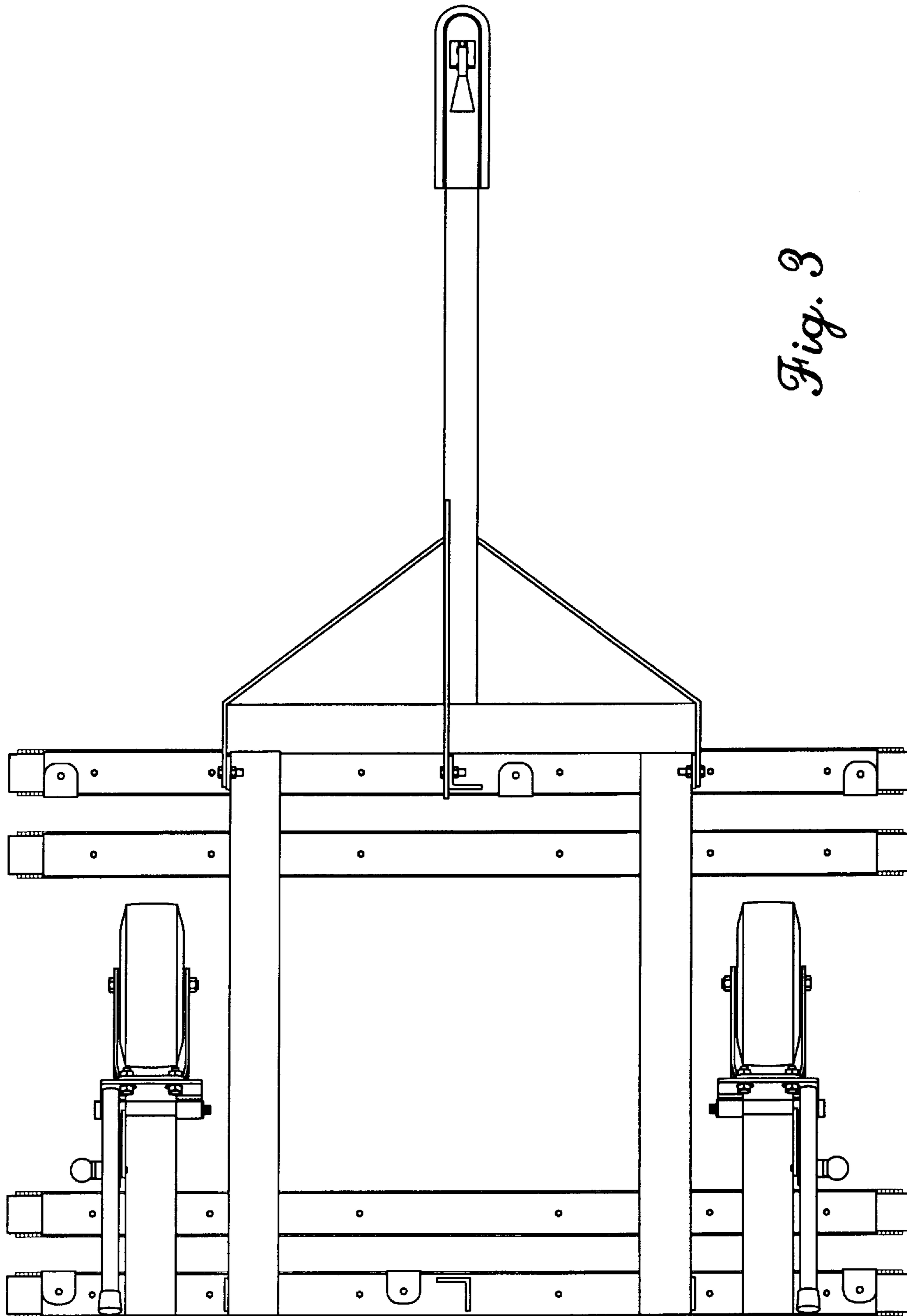


Fig. 3

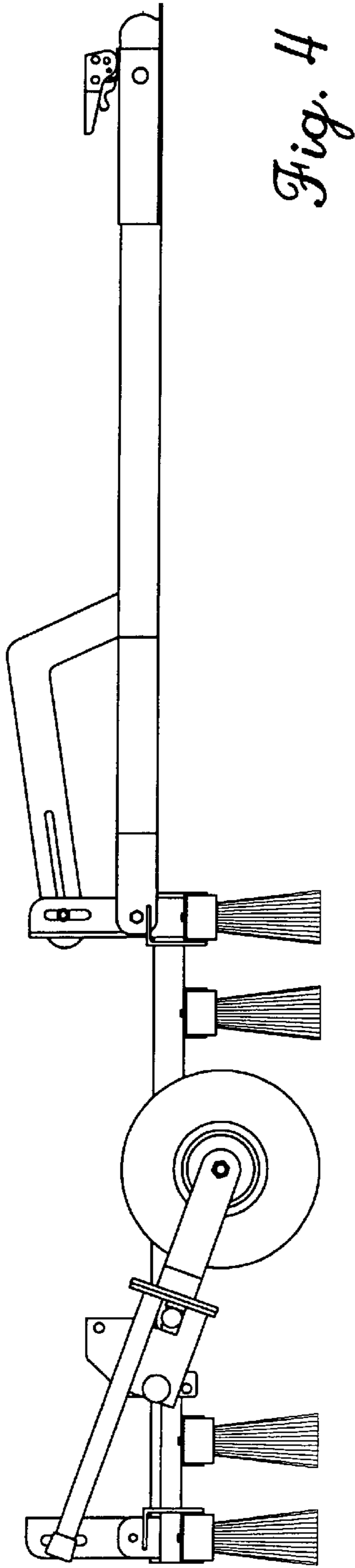


Fig. 4

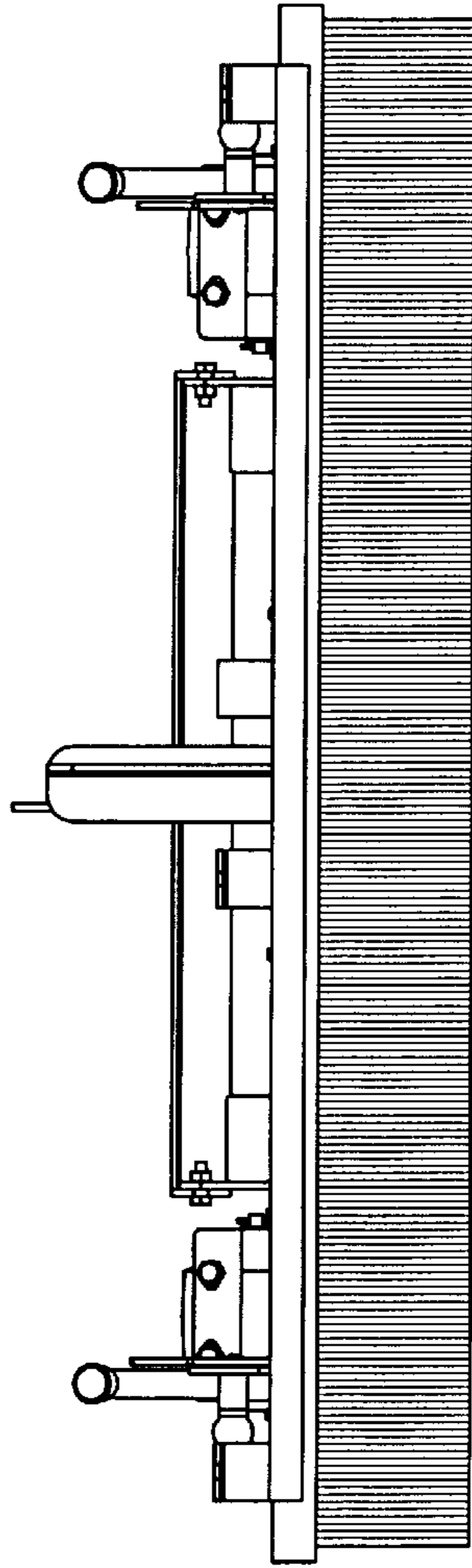


Fig. 5

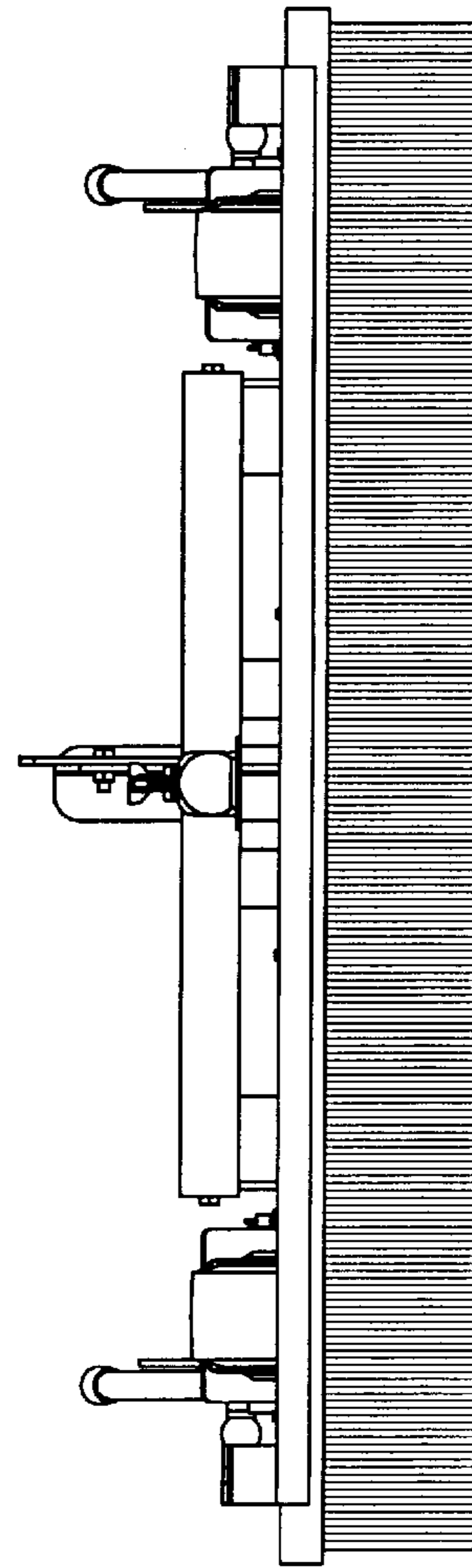


Fig. 6