



US00D514596S

(12) **United States Design Patent**  
**Radke**

(10) **Patent No.:** **US D514,596 S**

(45) **Date of Patent:** **\*\* Feb. 7, 2006**

(54) **ARTICULATED CRAWLER**

(75) **Inventor:** **Daniel Dean Radke, Dubuque, IA (US)**

(73) **Assignee:** **Deere & Company, Moline, IL (US)**

(\*\*) **Term:** **14 Years**

(21) **Appl. No.:** **29/218,189**

(22) **Filed:** **Nov. 29, 2004**

(51) **LOC (8) Cl.** ..... **12-09**

(52) **U.S. Cl.** ..... **D15/25**

(58) **Field of Classification Search** ..... D15/10-13,  
D15/22, 24, 25, 33; D21/537; 180/9, 9.1,  
180/9.44, 9.46, 9.48, 906; 305/130, 131,  
305/135

See application file for complete search history.

(56) **References Cited**

**U.S. PATENT DOCUMENTS**

D326,858 S \* 6/1992 Skeel et al. .... D15/25  
5,632,350 A \* 5/1997 Gauvin ..... 180/9.44

D410,930 S \* 6/1999 Kim et al. .... D15/25

D412,506 S \* 8/1999 Boyer et al. .... D15/25

D419,618 S \* 1/2000 Park ..... D21/537

6,116,362 A \* 9/2000 Schubert et al. .... 180/9.44

6,176,334 B1 \* 1/2001 Lorenzen ..... 180/9.48

\* cited by examiner

*Primary Examiner*—Stella Reid

*Assistant Examiner*—Mark A. Goodwin

(57) **CLAIM**

The ornamental design for an articulated crawler, as shown and described.

**DESCRIPTION**

FIG. 1 is a left perspective view for an articulated crawler showing our new design;

FIG. 2 is a left side view thereof;

FIG. 3 is a right side view thereof;

FIG. 4 is a top plan view thereof;

FIG. 5 is a front view thereof; and,

FIG. 6 is a rear view thereof.

**1 Claim, 6 Drawing Sheets**

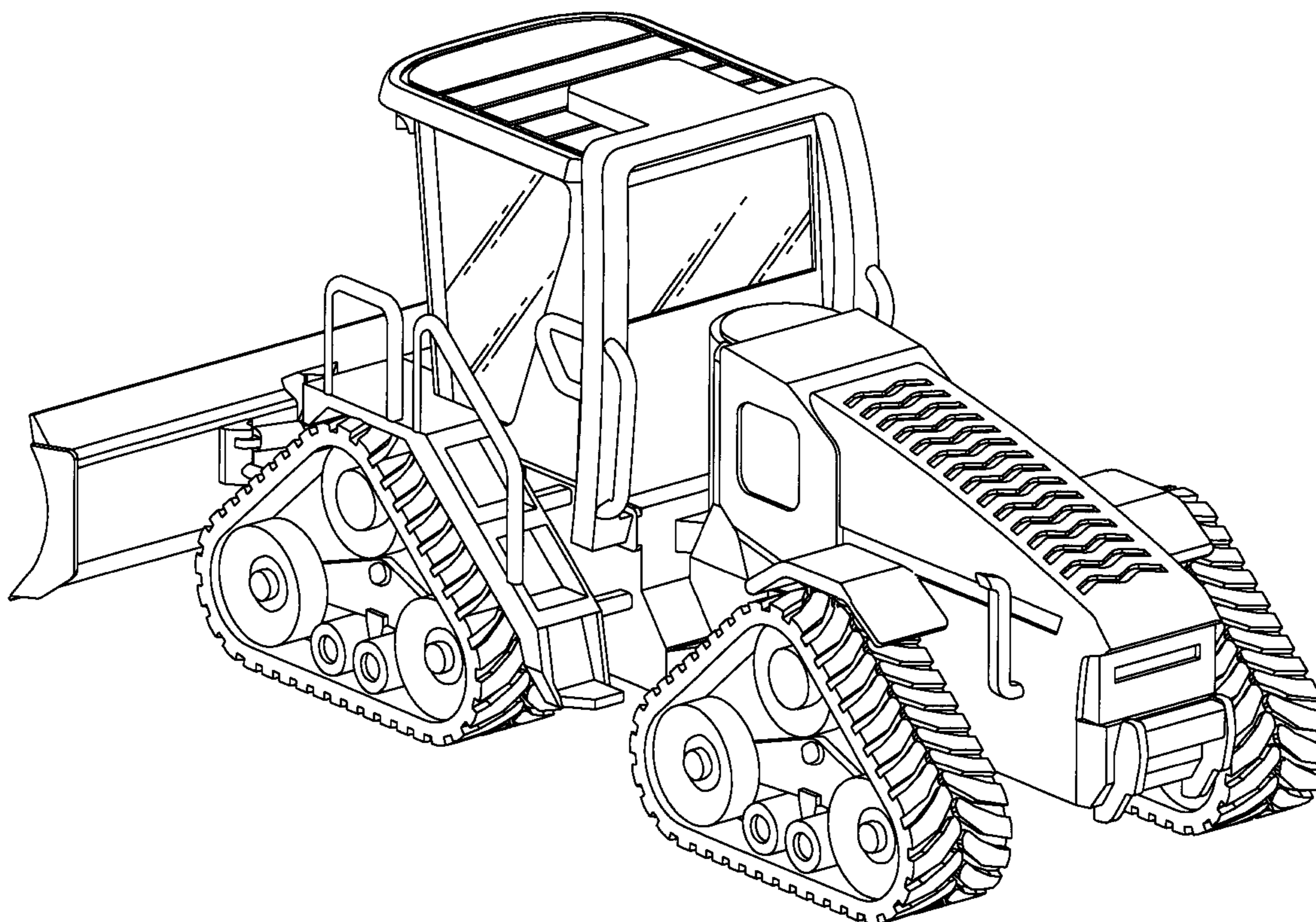
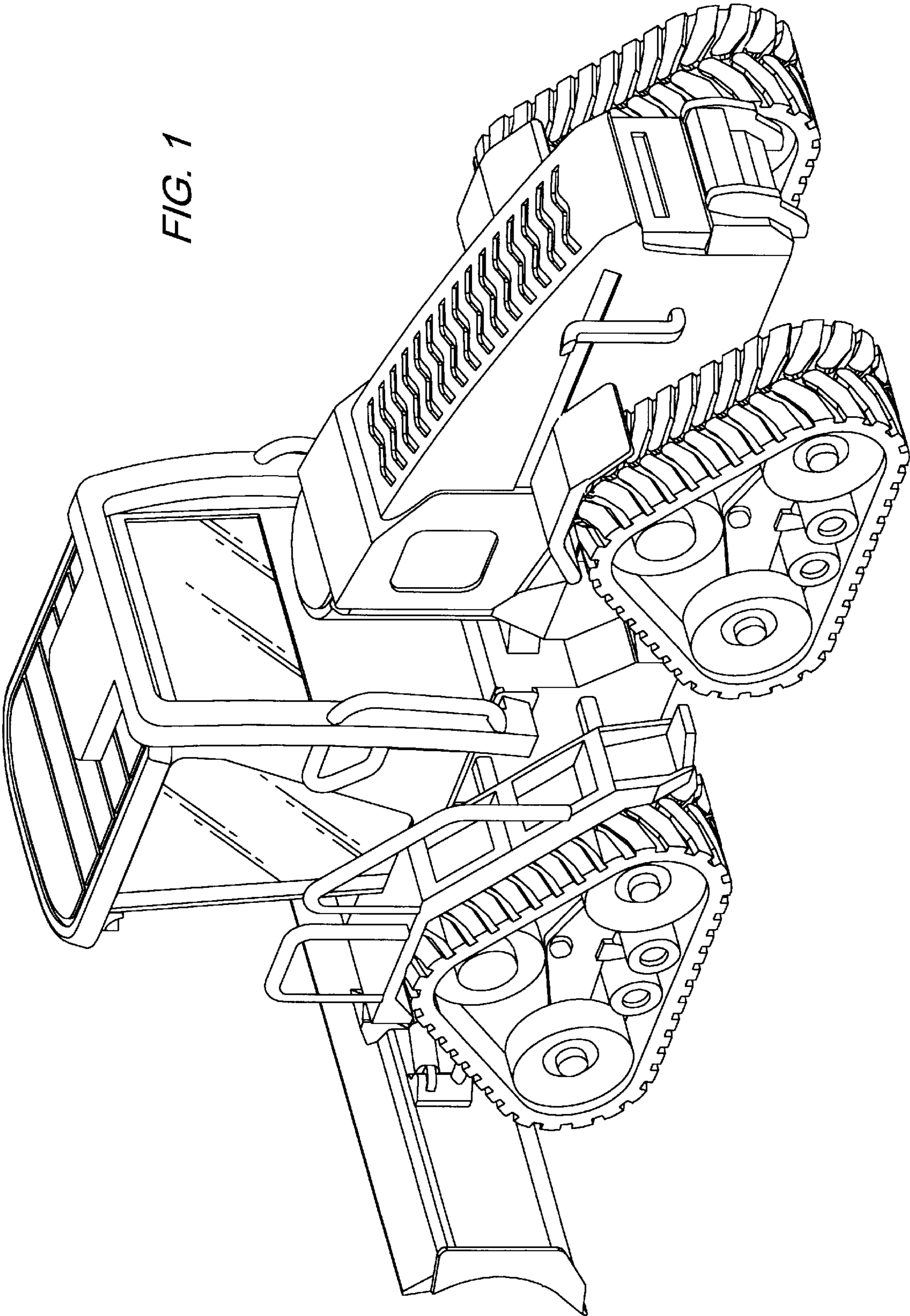


FIG. 1



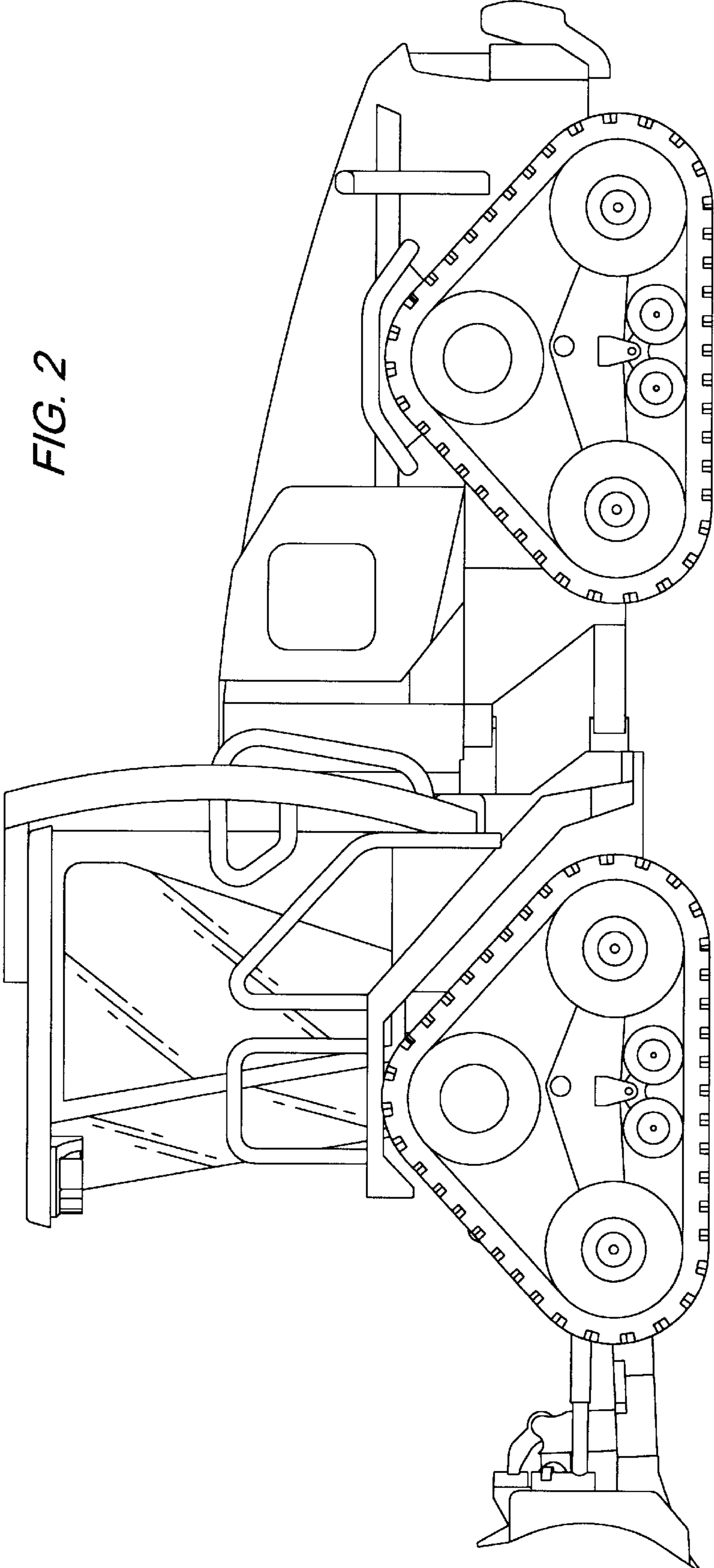


FIG. 2



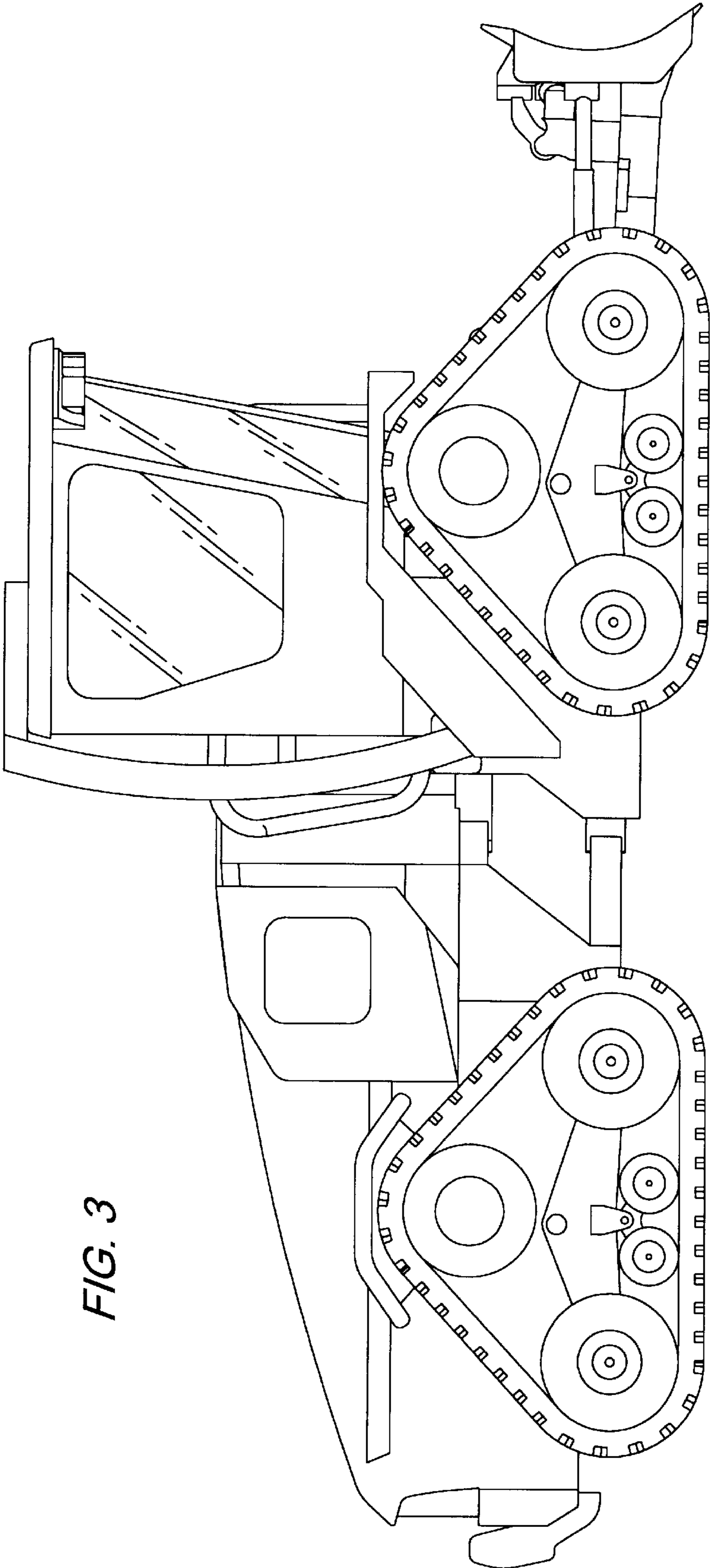


FIG. 3

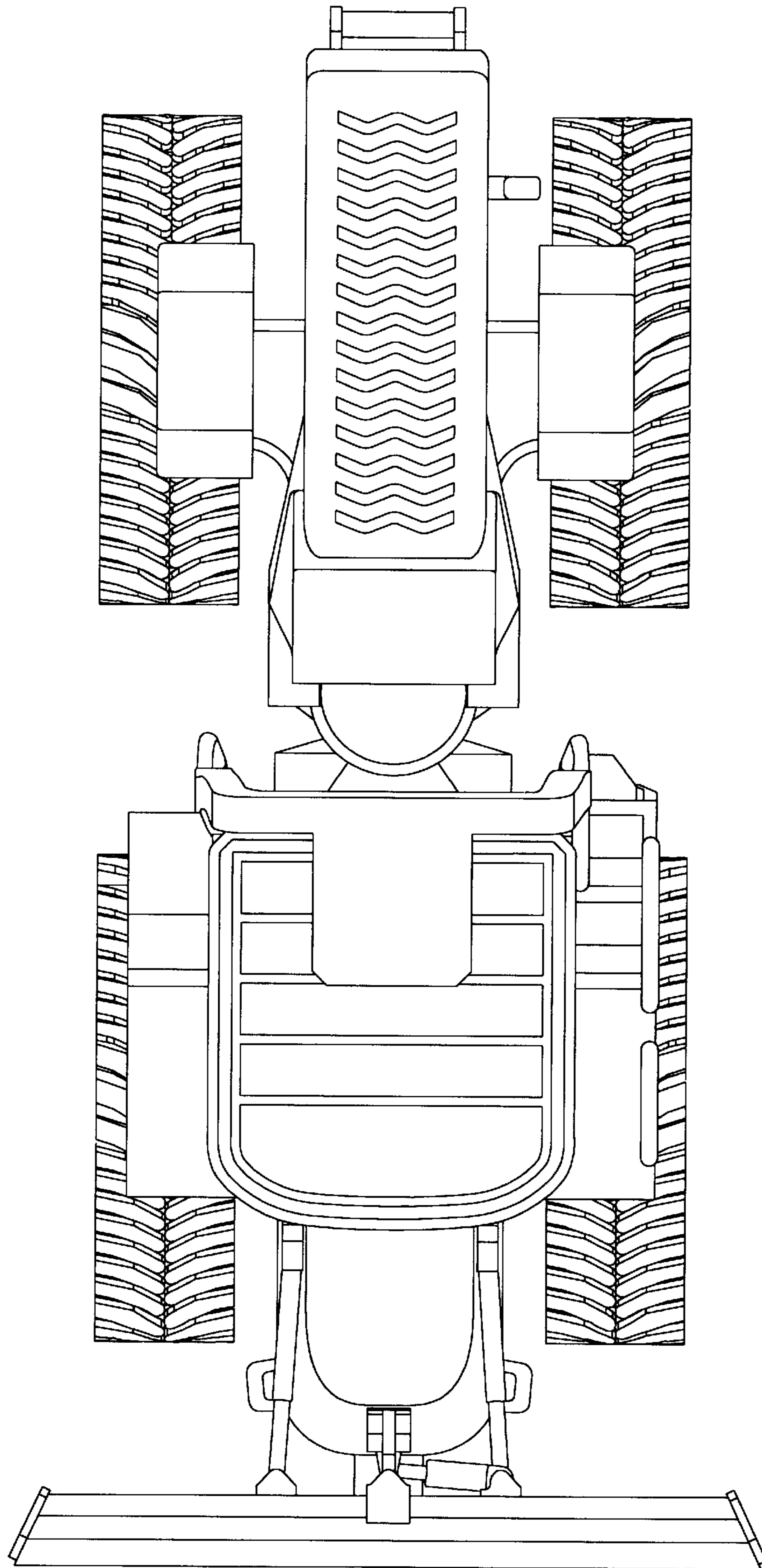


FIG. 4

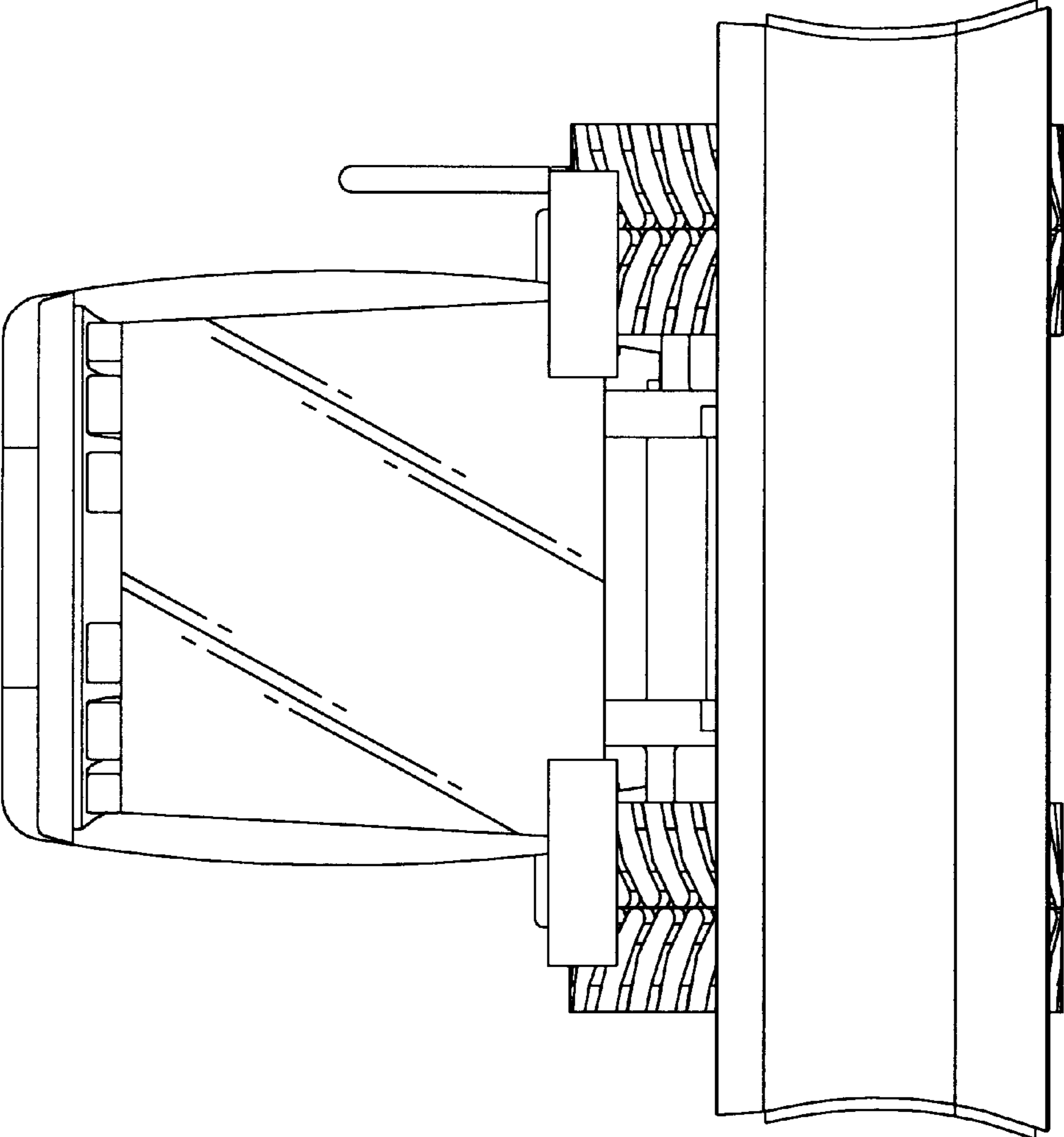


FIG. 5

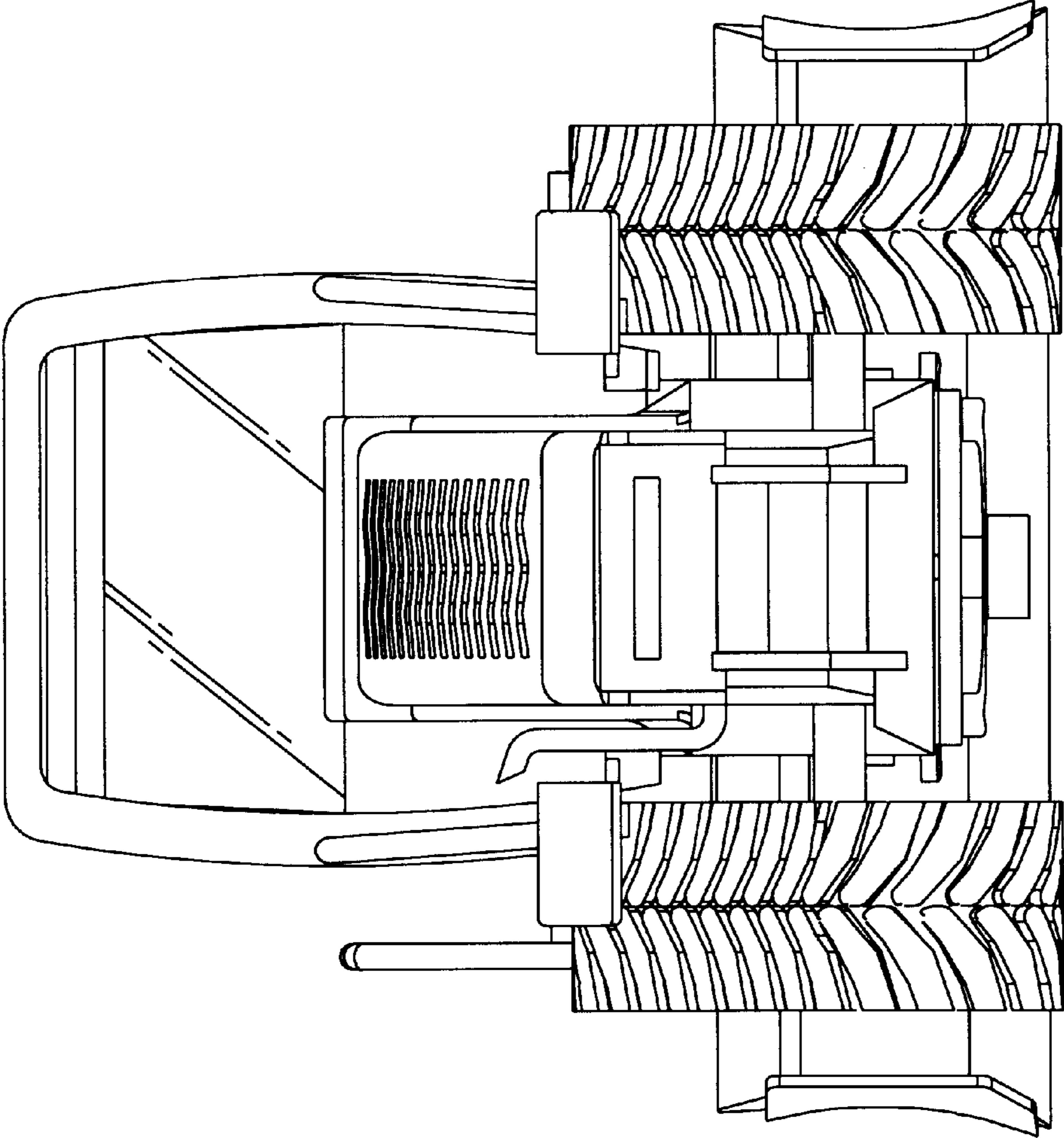


FIG. 6