

US00D514593S

(12) **United States Design Patent** (10) **Patent No.:** **US D514,593 S**
Amin (45) **Date of Patent:** **** Feb. 7, 2006**

(54) **PUMP HEAD**

(76) **Inventor:** **Harish A. Amin**, 644 Port Patrick Pl.,
Fort Mill, SC (US) 29715

(**) **Term:** **14 Years**

(21) **Appl. No.:** **29/214,327**

(22) **Filed:** **Sep. 30, 2004**

(51) **LOC (8) Cl.** **15-02**

(52) **U.S. Cl.** **D15/7; D23/231**

(58) **Field of Classification Search** **D15/7-9;**
417/321, 410, 413.1, 415, 423.3, 486, 521,
417/534, 553; 415/148; 222/382; D23/231,
D23/232; D7/398

See application file for complete search history.

(56) **References Cited**

U.S. PATENT DOCUMENTS

D26,869 S	*	4/1897	French	D23/231
1,517,805 A	*	12/1924	Spaeth	222/109
D151,757 S	*	11/1948	Harris	D15/7
D180,383 S	*	6/1957	Altman	D15/7
3,473,479 A	*	10/1969	Sundholm	417/553
D256,505 S	*	8/1980	Strickman et al.	D24/115
D256,945 S	*	9/1980	Willis	D23/232
D300,553 S	*	4/1989	Willis	D23/231

* cited by examiner

Primary Examiner—Ralf Seifert
(74) *Attorney, Agent, or Firm*—Moore & Van Allen, PLLC;
Michael G. Johnston

(57) **CLAIM**

The ornamental design for a pump head, as shown and described.

DESCRIPTION

FIG. 1 is a perspective view of a pump head showing my new design.

FIG. 2 is a right side elevation view of the pump head shown in FIG. 1 showing my new design, the left side view being a mirror image.

FIG. 3 is a front elevation view of the pump head shown in FIG. 1 showing my new design.

FIG. 4 is a rear elevation view of the pump head shown in FIG. 1 showing my new design.

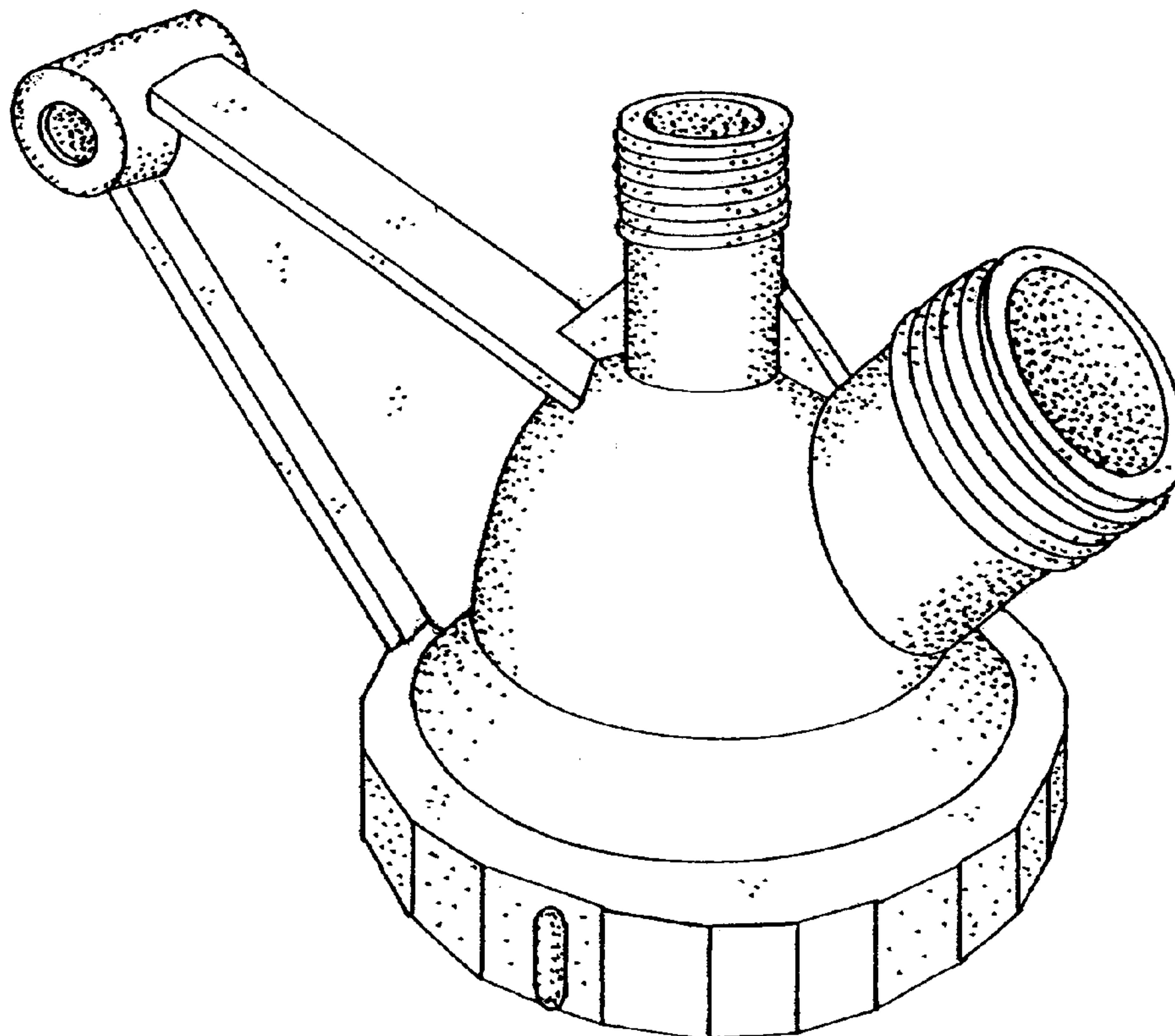
FIG. 5 is a top plan view of the pump head shown in FIG. 1 showing my new design.

FIG. 6 is a bottom plan view of the pump head shown in FIG. 1 showing my new design; and,

FIG. 7 is a perspective view of a pump including the pump head shown in FIG. 1 showing my new design.

The broken line showing of a pump is for illustrative purposes only and forms no part of the claimed design.

1 Claim, 4 Drawing Sheets



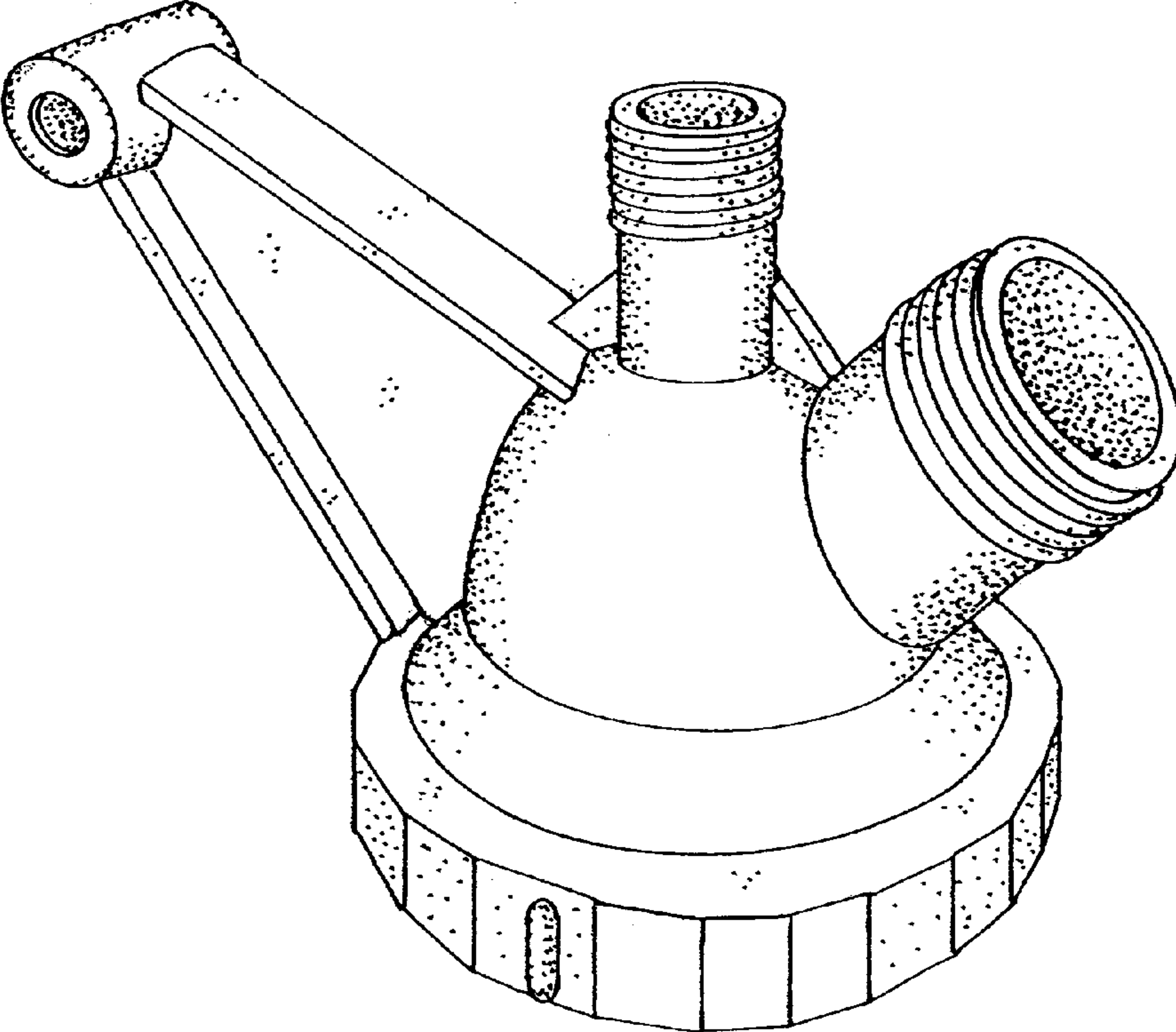


FIG. 1

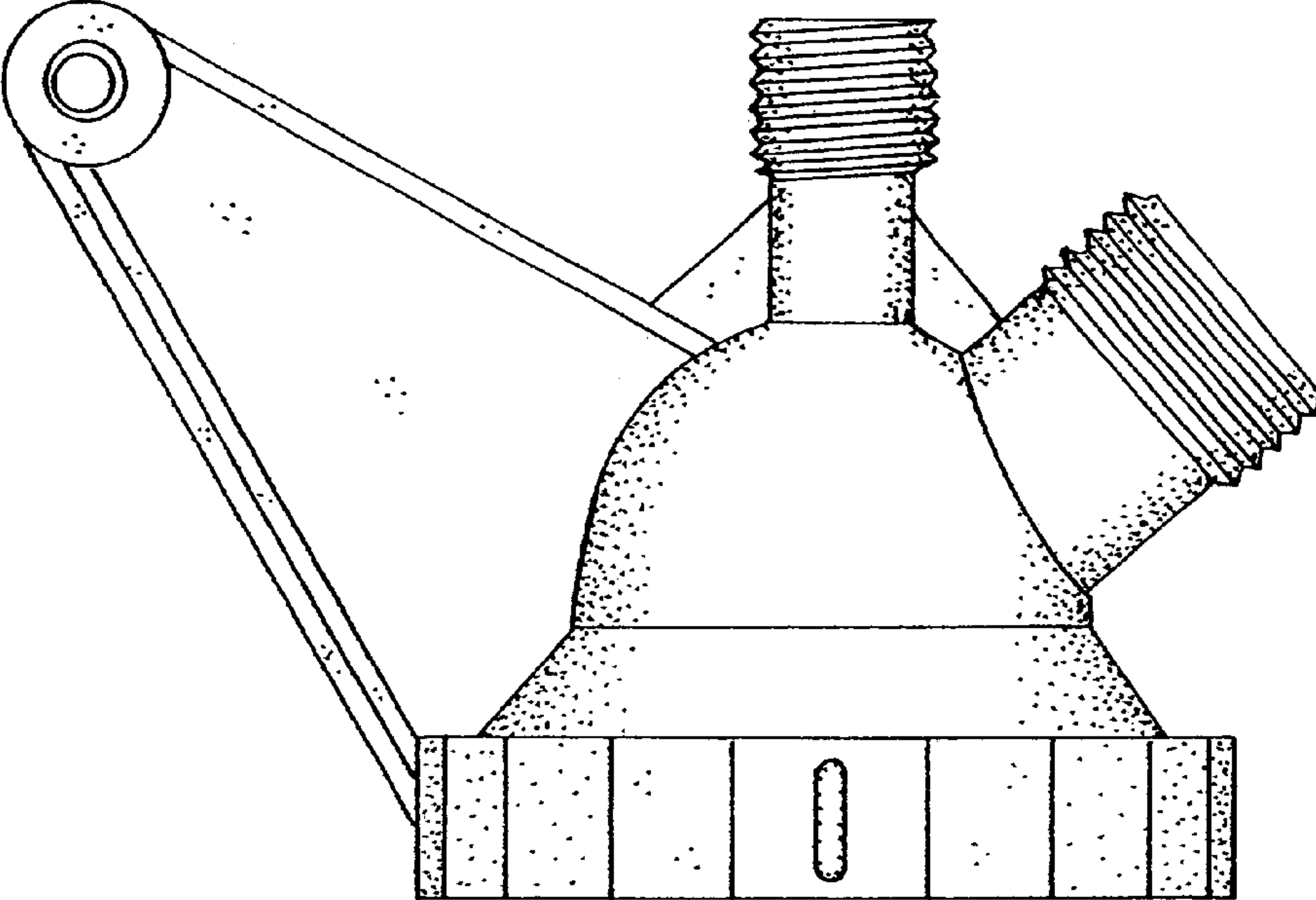


FIG. 2

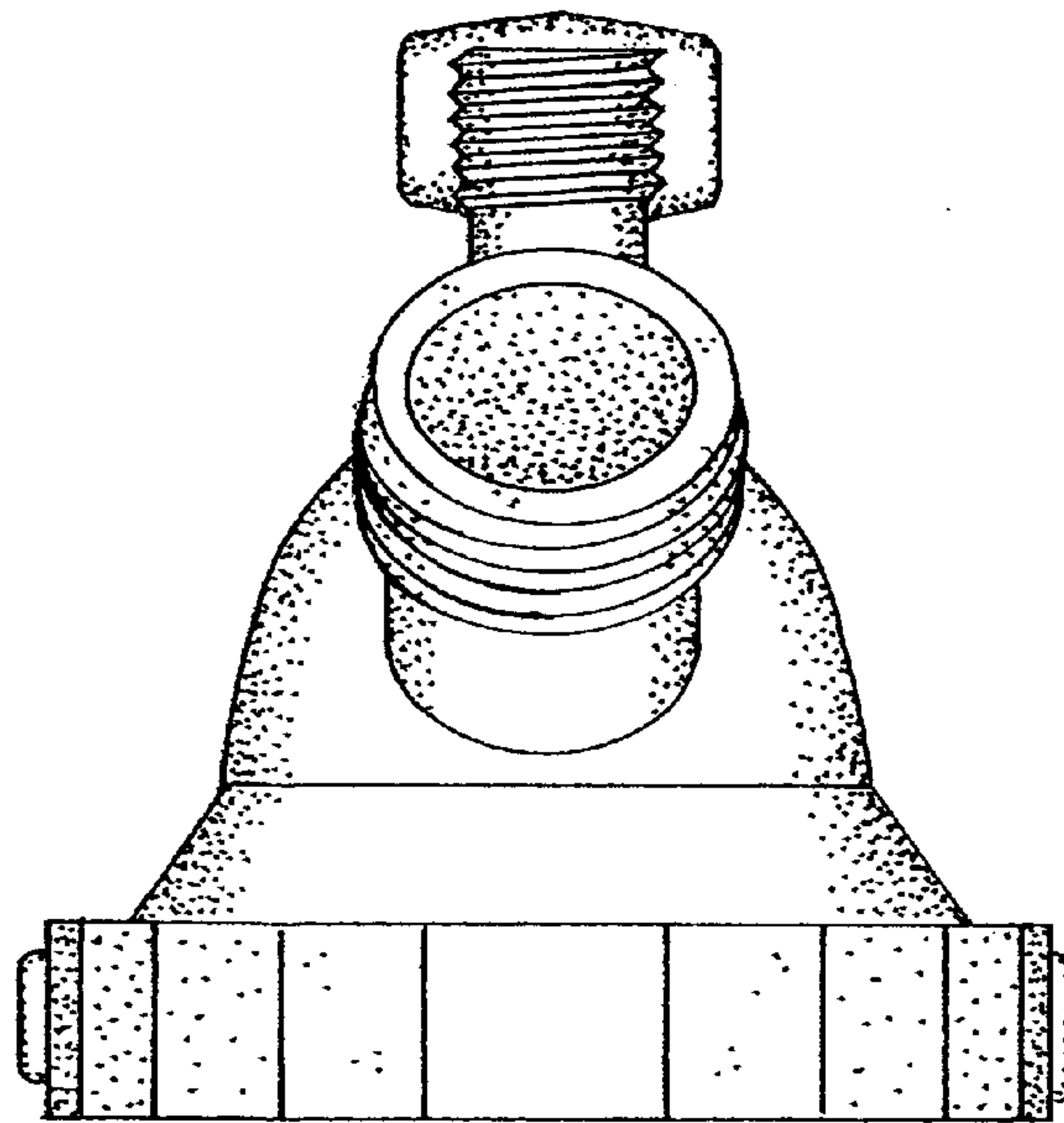


FIG. 3

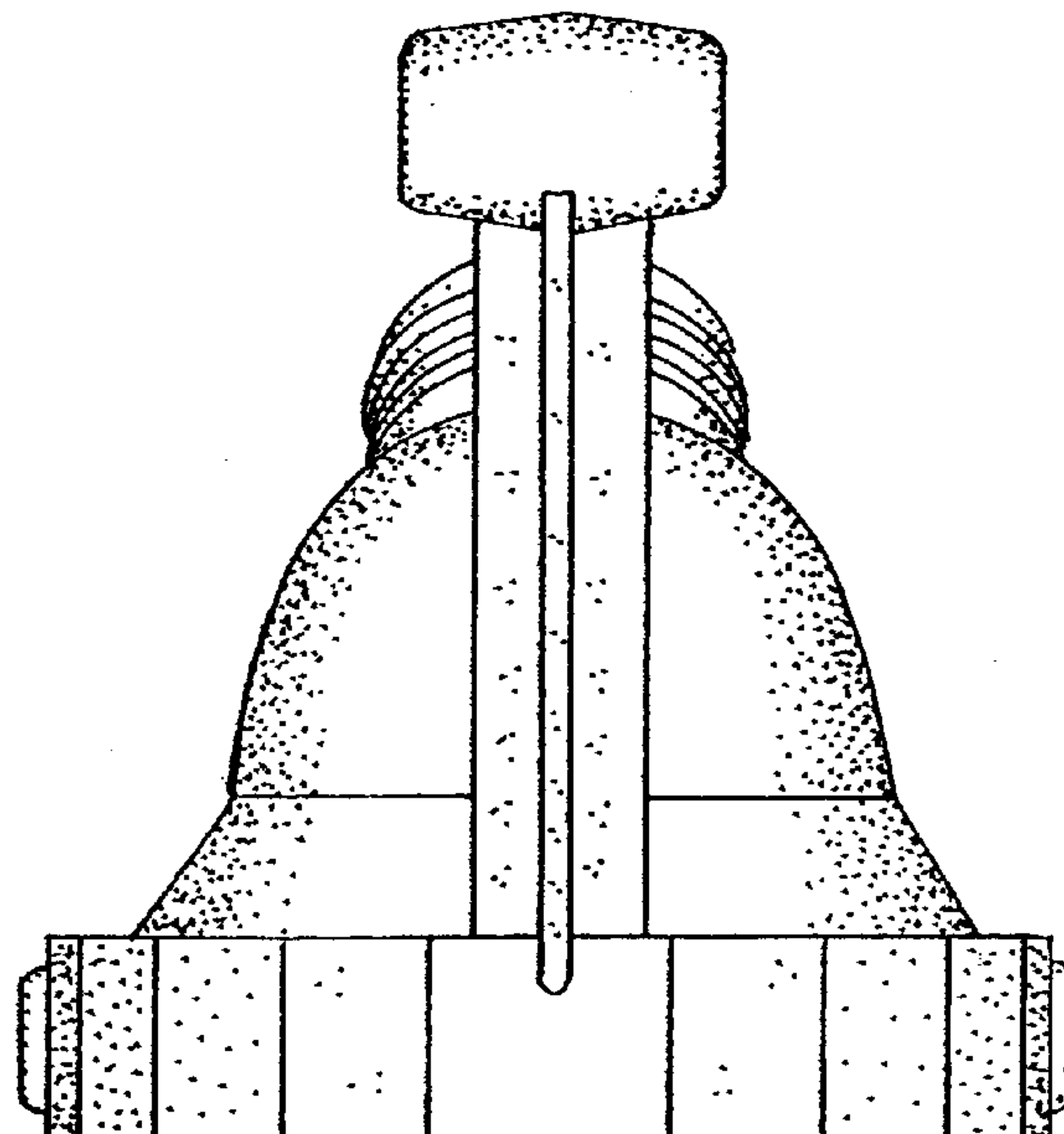


FIG. 4

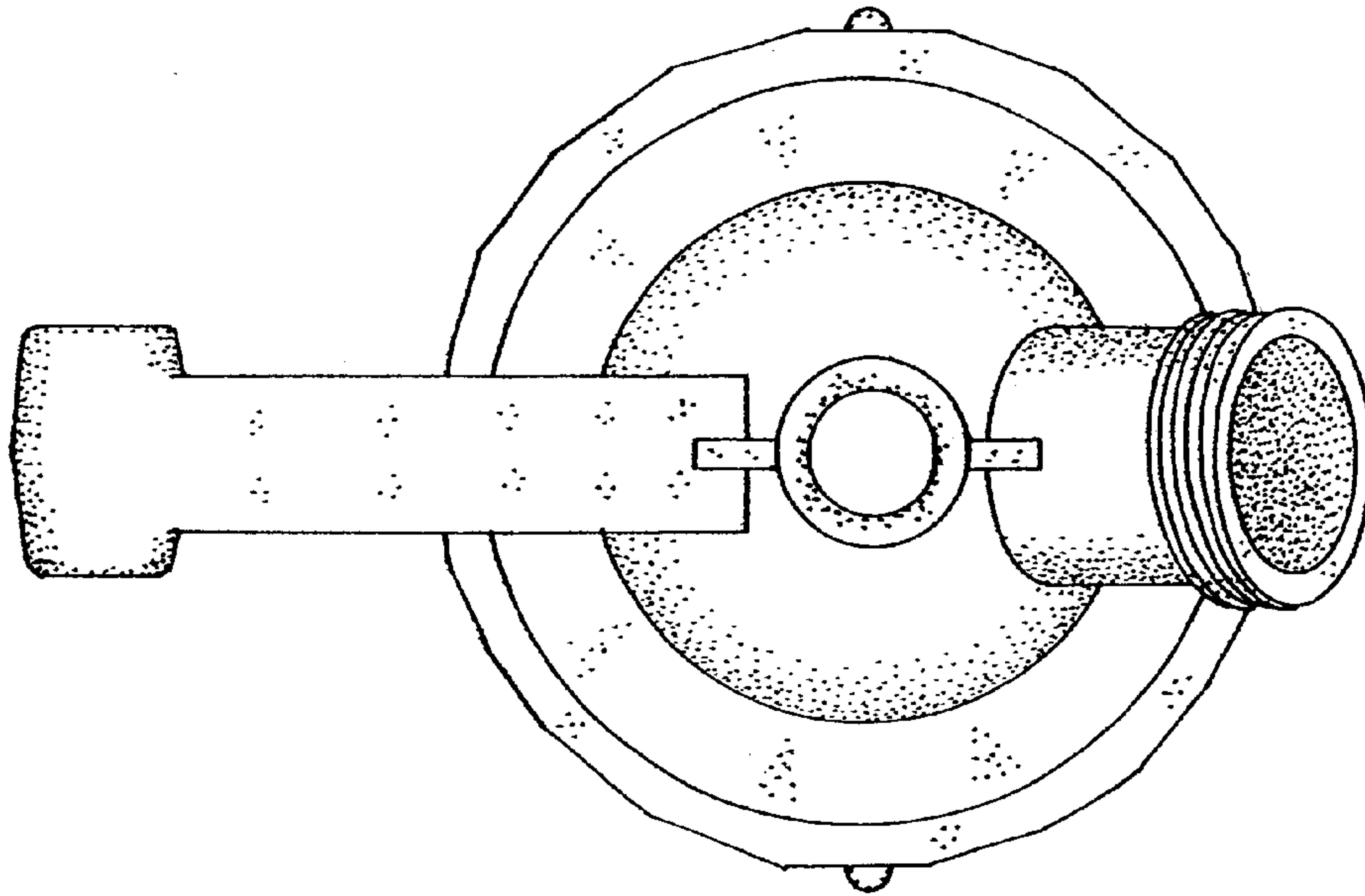


FIG. 5

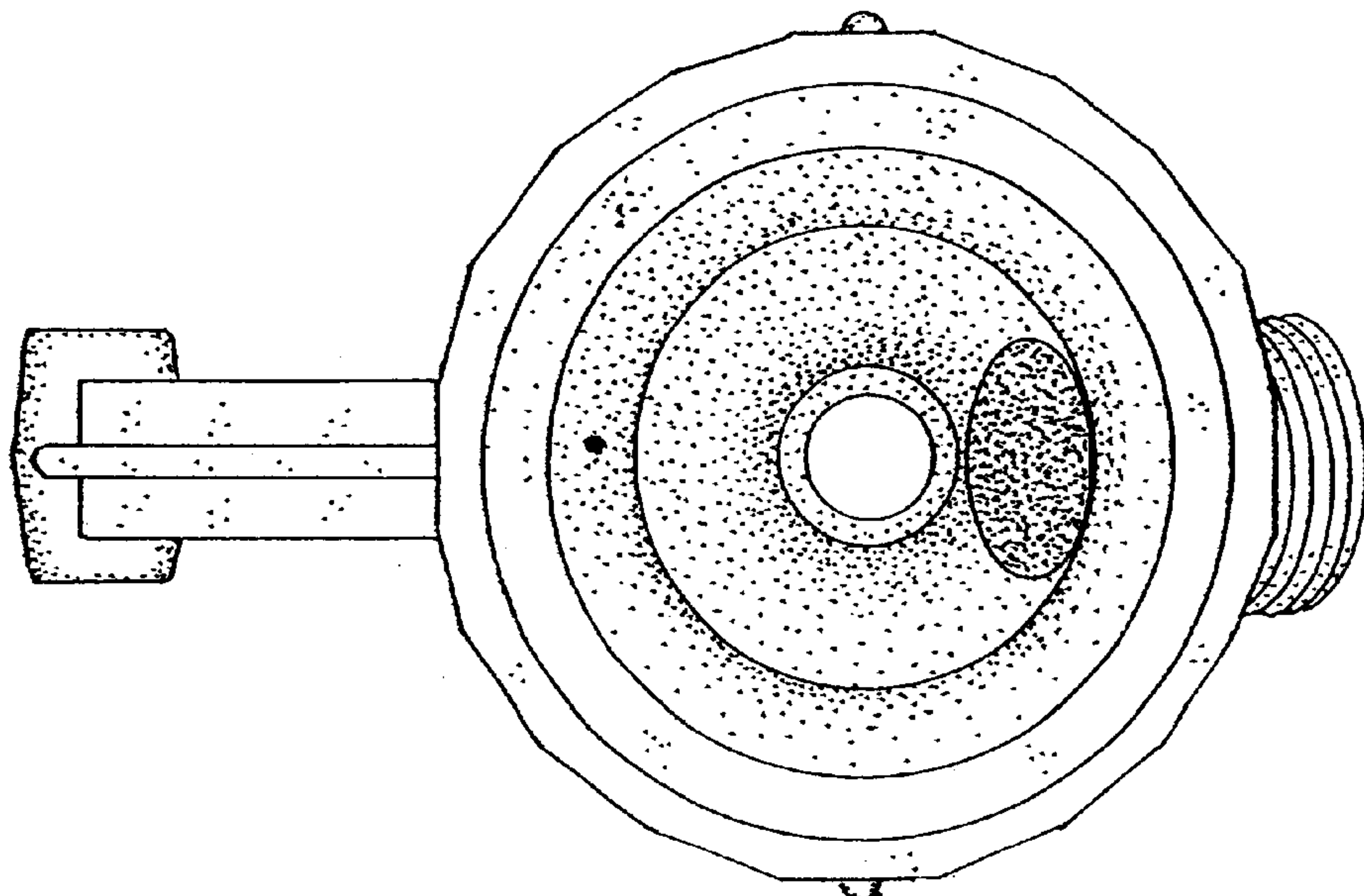


FIG. 6

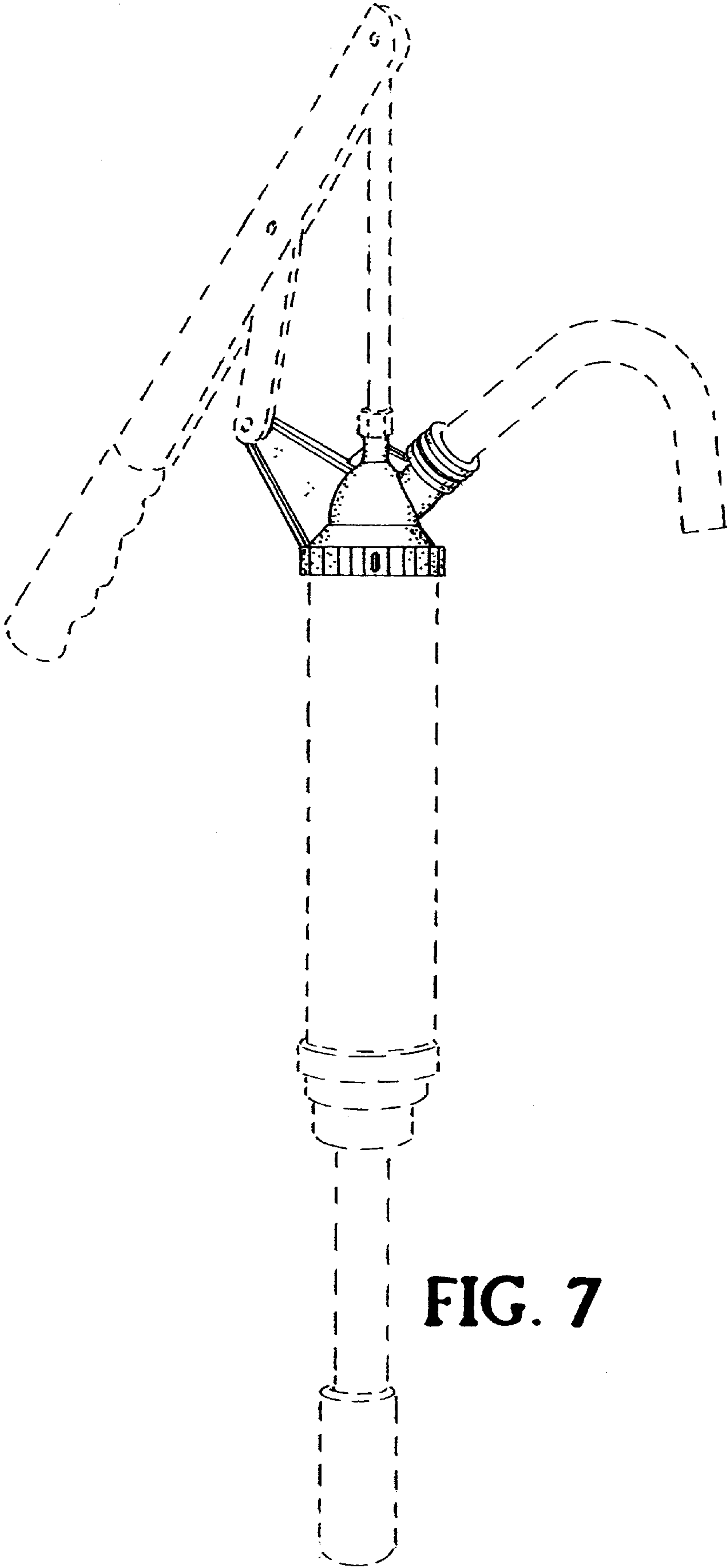


FIG. 7