



US00D514589S

(12) **United States Design Patent**
Chen

(10) **Patent No.:** **US D514,589 S**
(45) **Date of Patent:** **** Feb. 7, 2006**

(54) **MINI MEDIA PLAYER**
(75) **Inventor:** **Hung-Chang Chen, Tu-Chen (TW)**
(73) **Assignee:** **Hon Hai Precision Ind. Co. Ltd., Taipei Hsien (TW)**
(**) **Term:** **14 Years**

6,671,567 B1 * 12/2003 Dwyer et al. 700/94
D492,323 S * 6/2004 Wang D14/496
D494,188 S * 8/2004 Huang D14/496
D496,944 S * 10/2004 Huang D14/496
D499,423 S * 12/2004 Bahroocha et al. D14/496

* cited by examiner

Primary Examiner—Prabhakar Deshmukh
(74) *Attorney, Agent, or Firm*—Wei Te Chung

(21) **Appl. No.:** **29/216,075**
(22) **Filed:** **Oct. 27, 2004**

(57) **CLAIM**

The ornamental design for a mini media player, as shown and described.

(30) **Foreign Application Priority Data**

Jul. 26, 2004 (CN) 200430045964

DESCRIPTION

(51) **LOC (8) Cl.** **14-03**
(52) **U.S. Cl.** **D14/496**
(58) **Field of Classification Search** D14/496,
D14/400, 401, 435, 474, 453, 217, 125, 137,
D14/159, 160; 273/148 B; 700/94; 710/62,
710/63, 100; 365/189.05; 348/231.3, 231;
463/40-47; 369/2, 24, 25; 370/342-344
See application file for complete search history.

FIG. 1 is a top, front and right side perspective view of a mini media player showing my new design; FIG. 2 is a front elevational view thereof; FIG. 3 is a rear elevational view thereof; FIG. 4 is a left side elevational view thereof; FIG. 5 is a right side elevational view thereof; FIG. 6 is a top plan view thereof; FIG. 7 is a bottom plan view thereof; FIG. 8 is a top, front and right side perspective view showing the article with a cover thereof in a released position; and, FIG. 9 is a top, front and right side perspective view showing the article with a cover thereof in a released position and a remote controller thereof taken out.

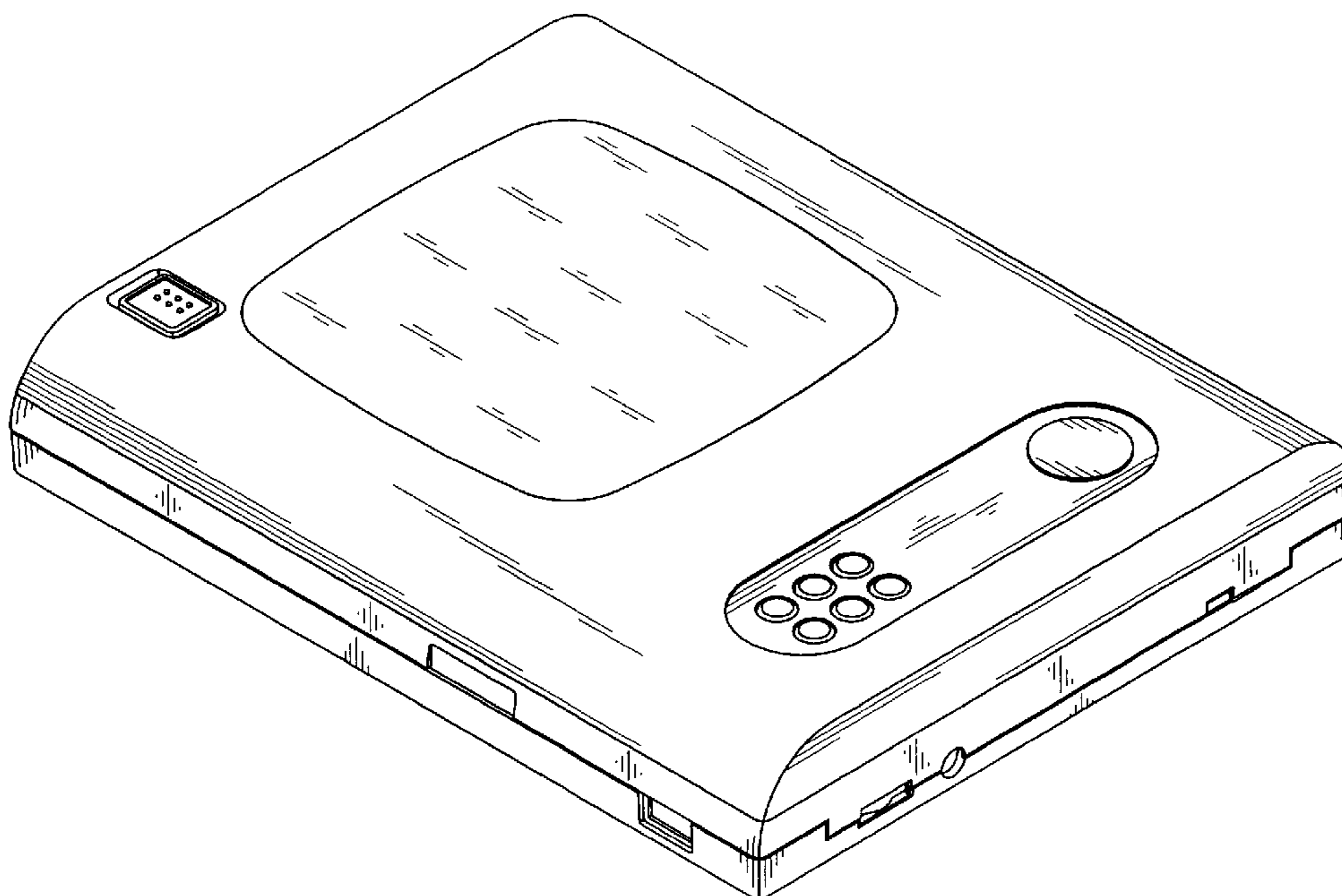
The parts shown in broken lines form no part of the claimed design.

(56) **References Cited**

U.S. PATENT DOCUMENTS

5,661,632 A * 8/1997 Register 361/683
6,122,526 A * 9/2000 Parulski et al. 455/556.1
6,314,483 B1 * 11/2001 Goto et al. 710/107
D472,245 S * 3/2003 Andre et al. D14/496
6,639,577 B2 * 10/2003 Eberhard 345/102

1 Claim, 7 Drawing Sheets



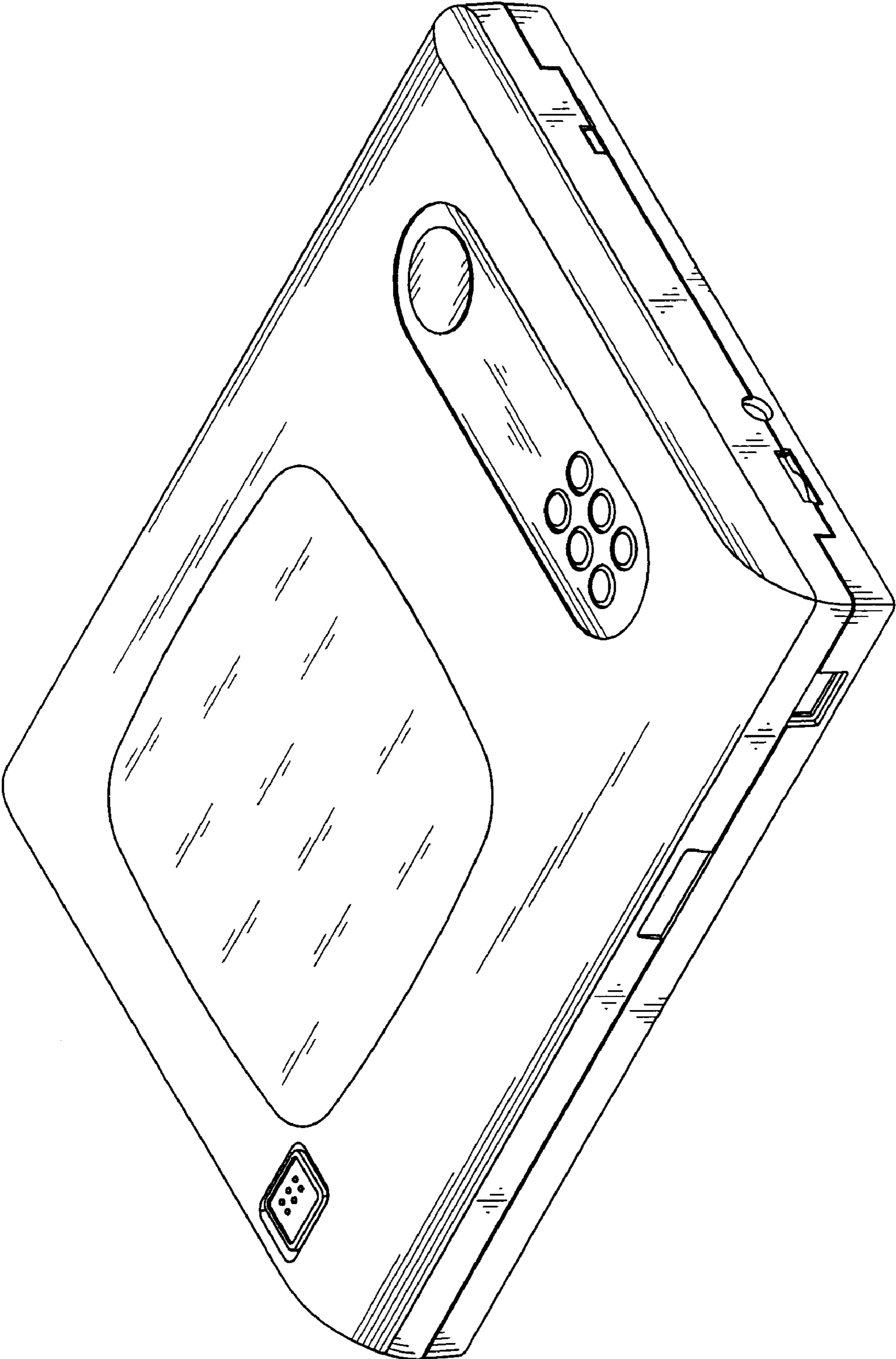


FIG. 1

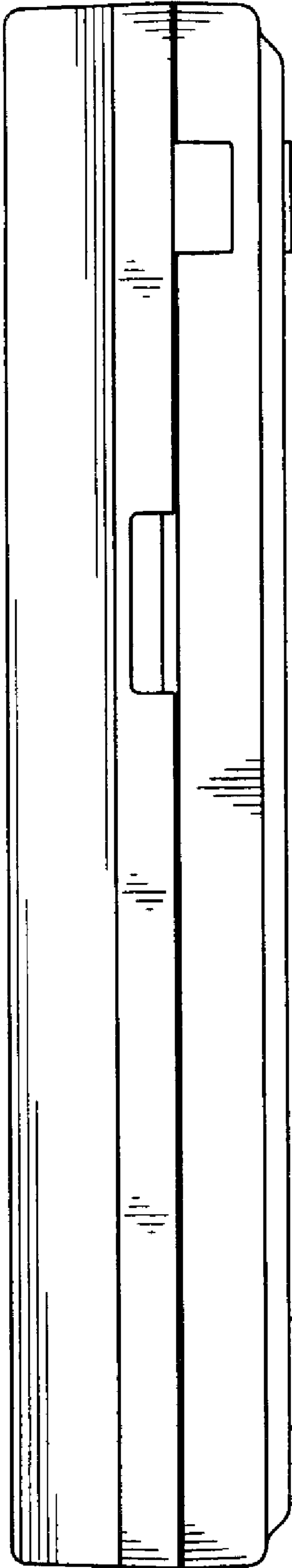


FIG. 2

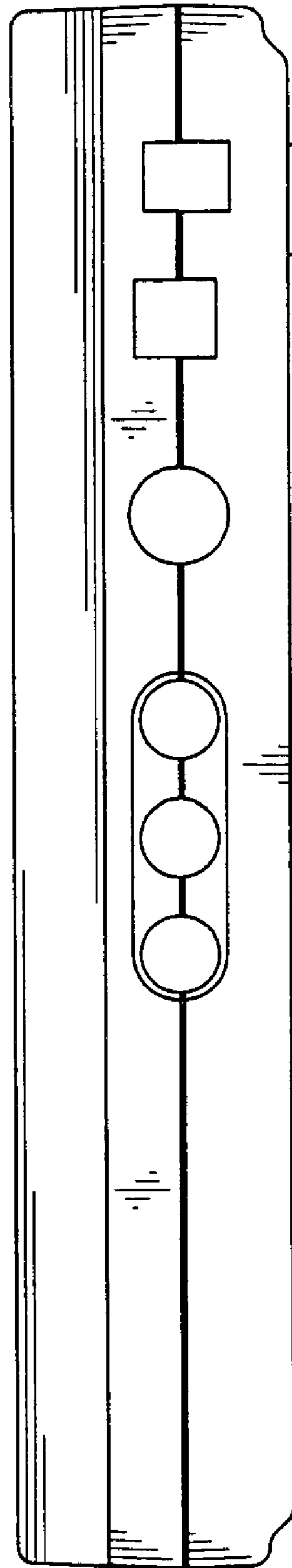


FIG. 3

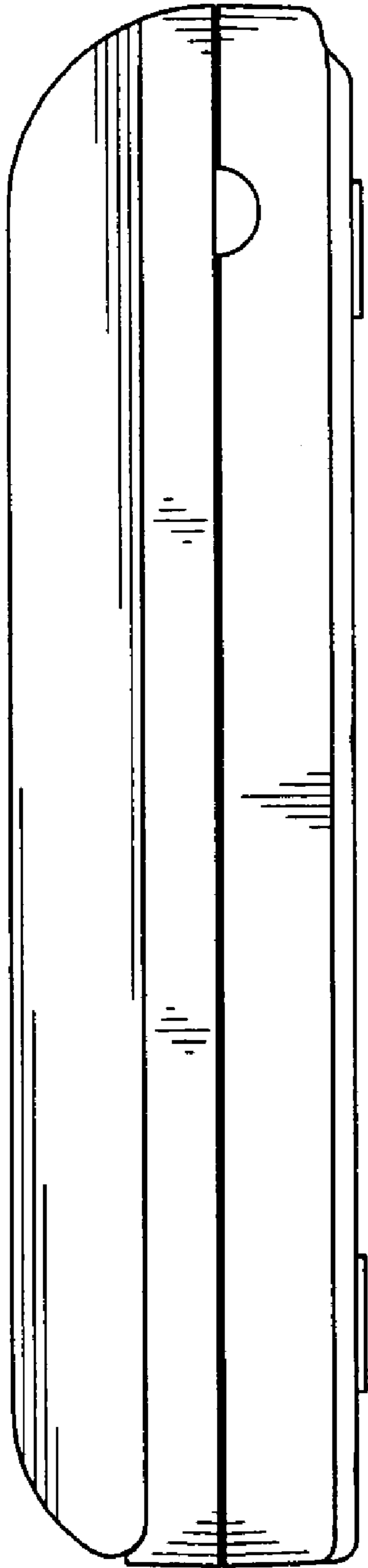


FIG. 4

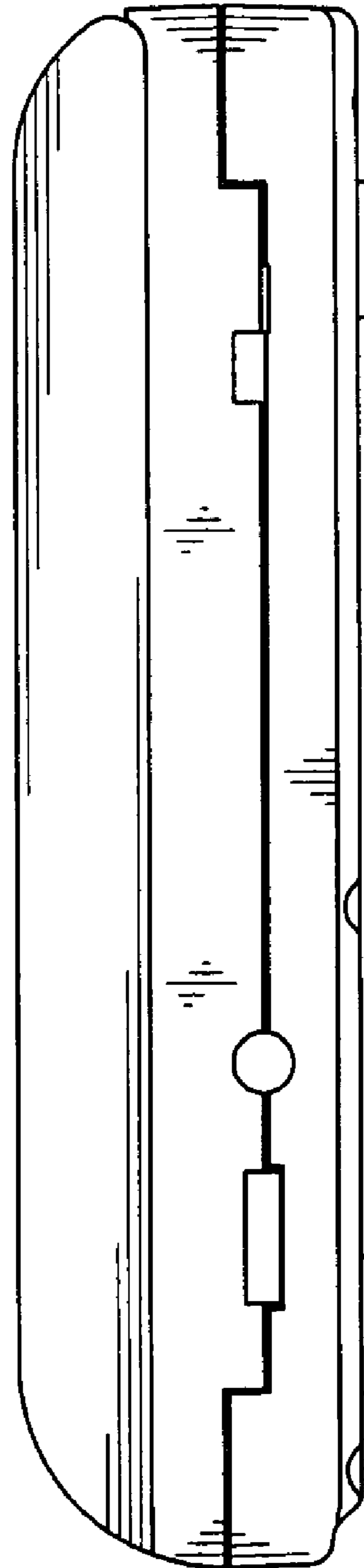


FIG. 5

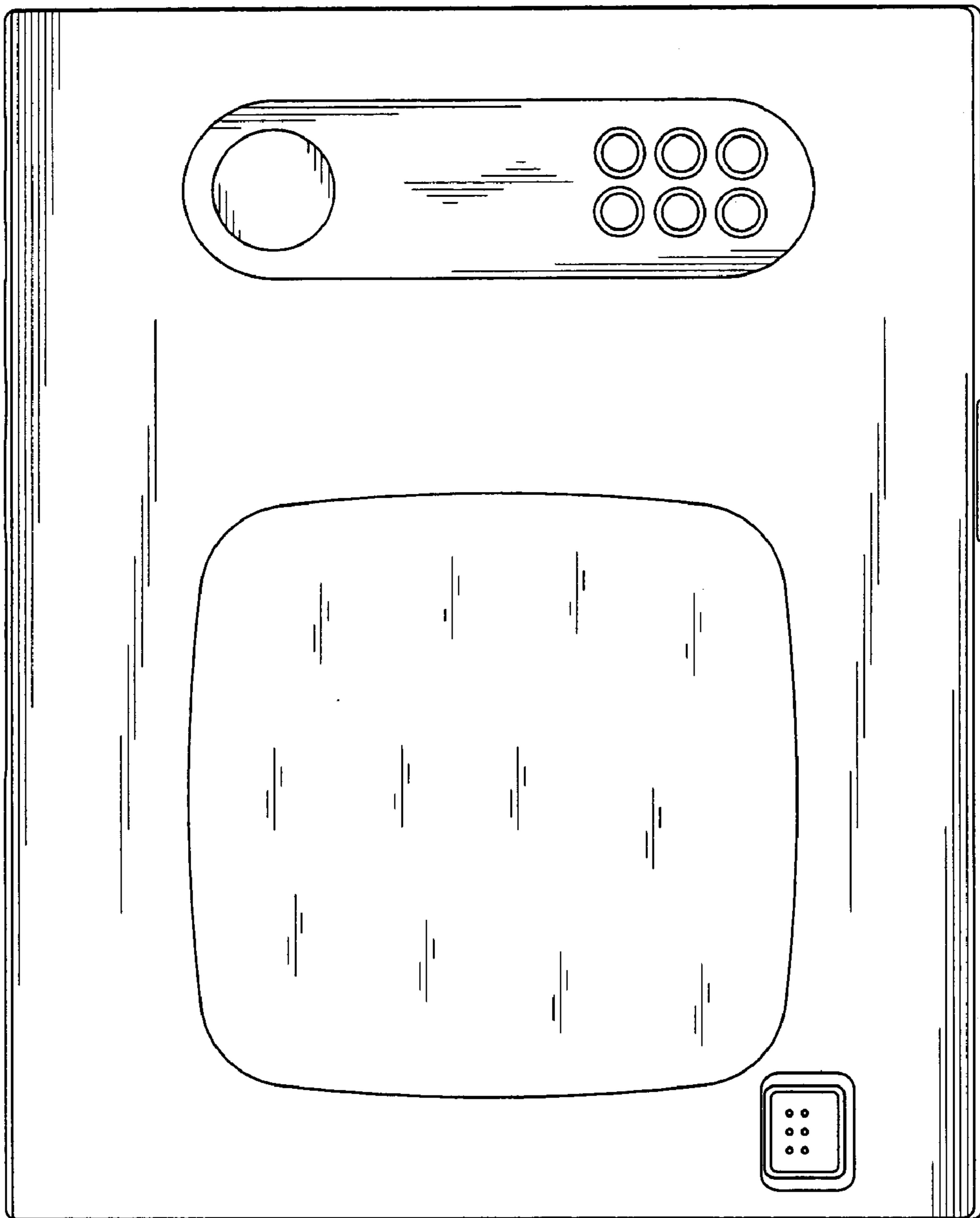


FIG. 6

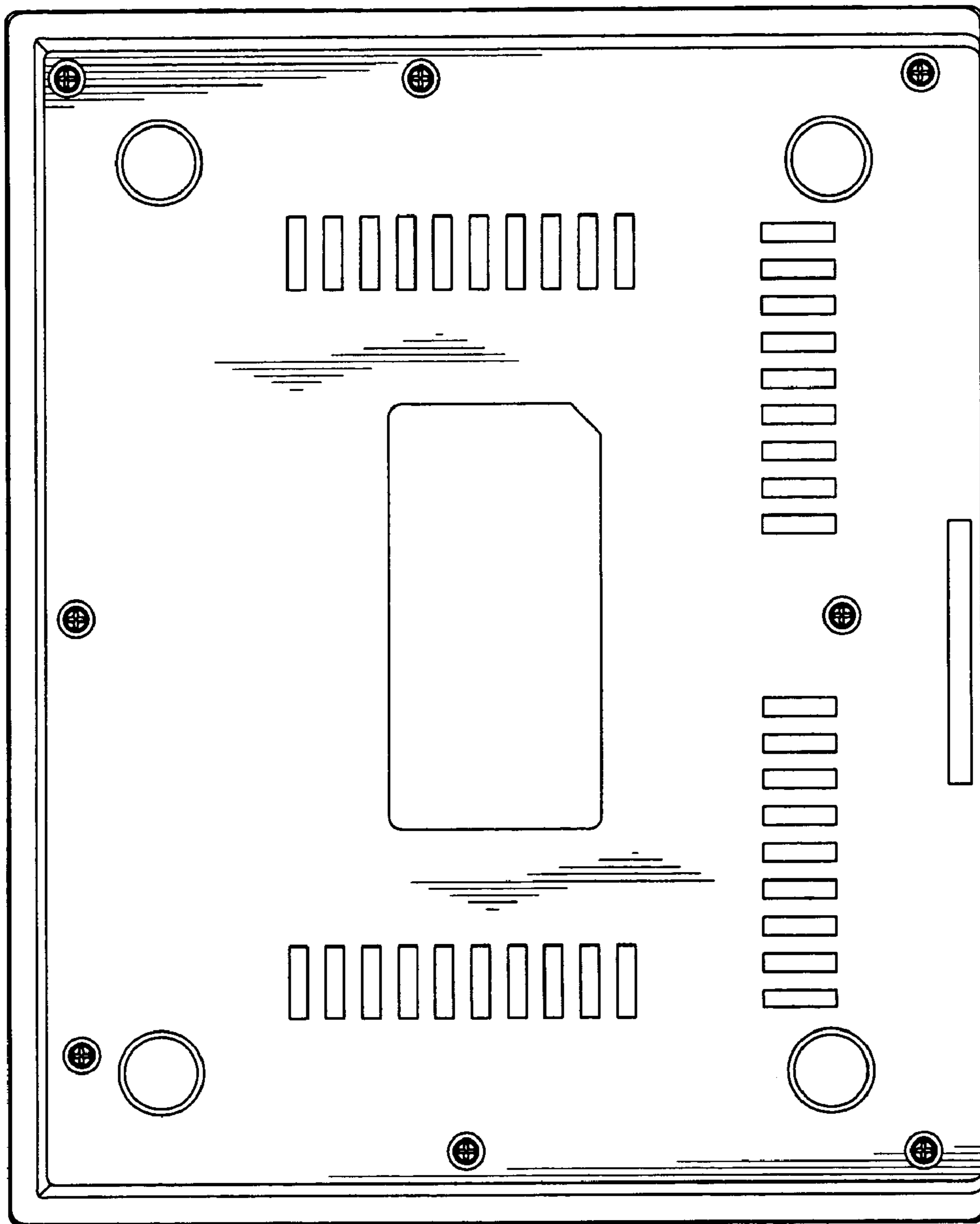


FIG. 7

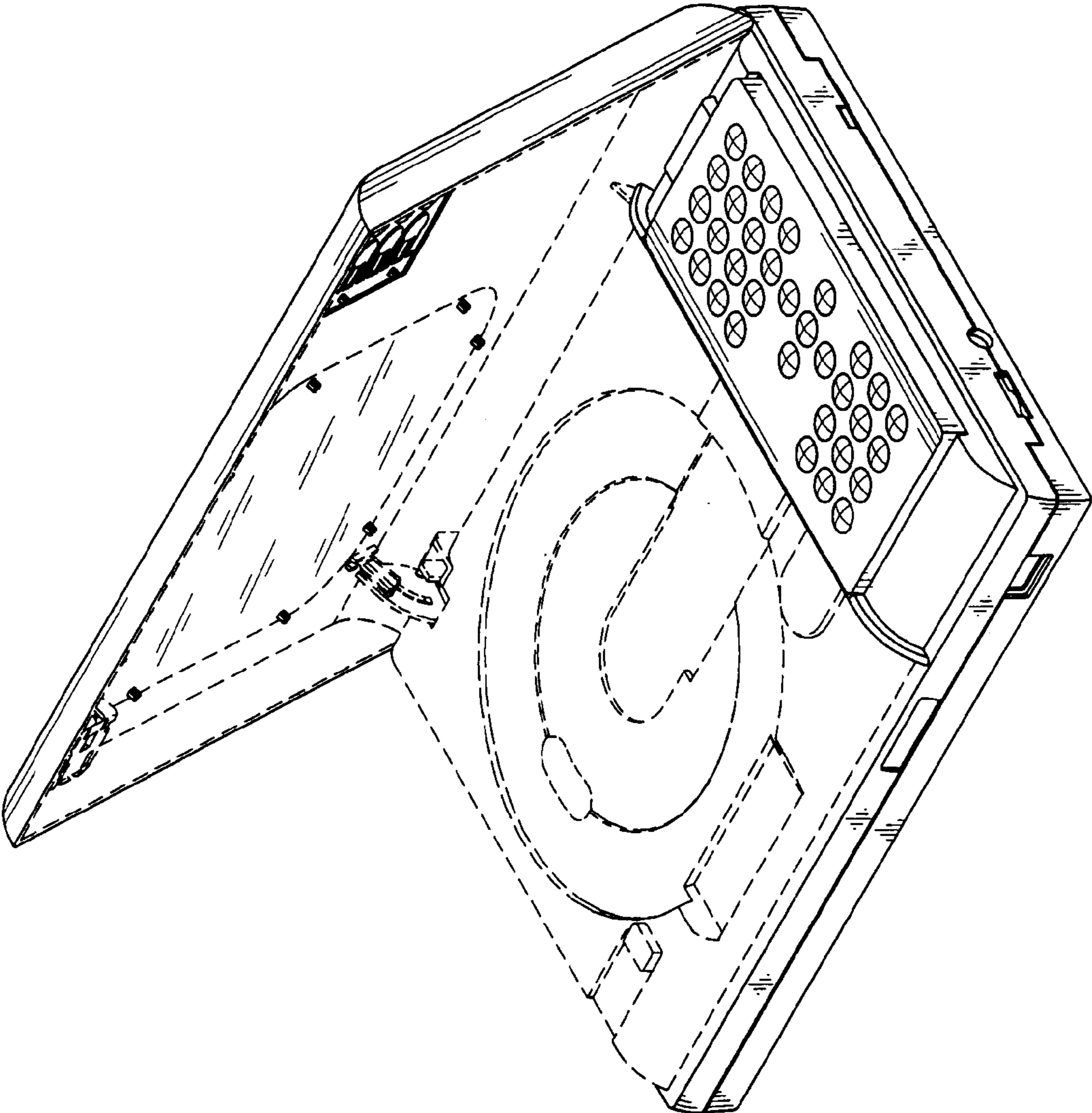


FIG. 8

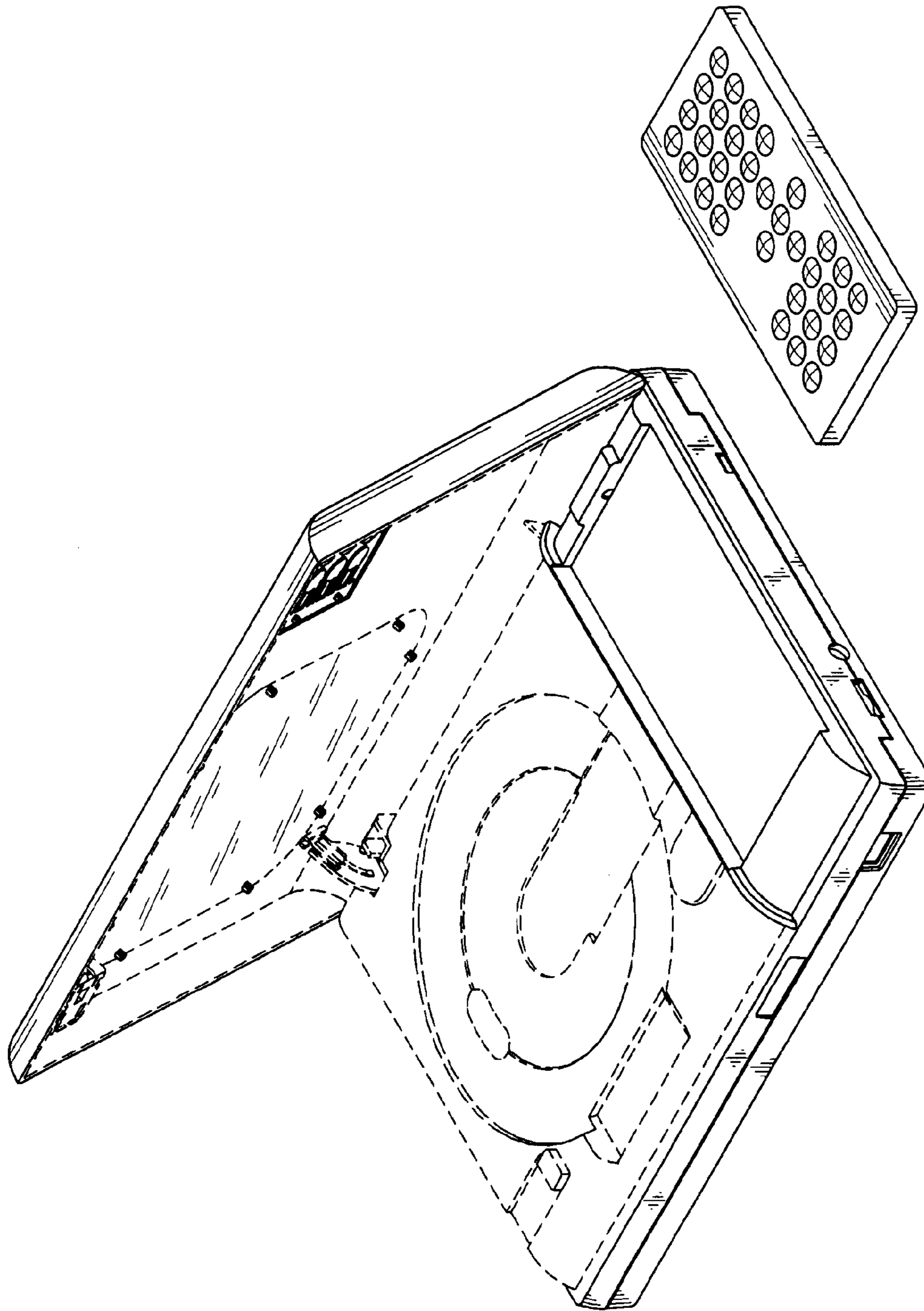


FIG. 9