

US00D514583S

(12) **United States Design Patent**
Wakatabi et al.

(10) **Patent No.:** **US D514,583 S**
(45) **Date of Patent:** **** Feb. 7, 2006**

(54) **TRAY FOR A SCANNER**
(75) Inventors: **Tadayuki Wakatabi**, Tokyo (JP);
Kouki Mitani, Tokyo (JP)
(73) Assignee: **Riso Kagaku Corporation** (JP)
(**) Term: **14 Years**

D427,981 S * 7/2000 Inukai D14/453
6,561,339 B1 * 5/2003 Olson et al. 198/349
6,851,668 B2 * 2/2005 Mui et al. 271/3.17

* cited by examiner

Primary Examiner—M. H. Tung
(74) *Attorney, Agent, or Firm*—Saidman DesignLaw Group

(21) Appl. No.: **29/196,179**
(22) Filed: **Dec. 23, 2003**

(57) **CLAIM**

The ornamental design for a tray for a scanner, as shown and described.

(30) **Foreign Application Priority Data**
Jun. 27, 2003 (JP) 2003-018507

DESCRIPTION

(51) **LOC (8) Cl.** **14-02**
(52) **U.S. Cl.** **D14/453**
(58) **Field of Classification Search** D14/420–21,
D14/432, 453; 399/361–7, 377, 405, 411;
271/207, 3.14, 171, 145
See application file for complete search history.

FIG. 1 is a perspective view of a tray for a scanner showing our new design;
FIG. 2. is a front view thereof;
FIG. 3 is a rear view thereof;
FIG. 4 is a right side view thereof, the opposite side being a mirror view thereof;
FIG. 5 is a top plan view thereof;
FIG. 6 is a bottom view thereof; and,
FIG. 7 is a perspective view thereof, on a reduced scale.
The broken line drawings of features in FIGS. 1, 5 and 6, and of the scanner in FIG. 7 are for illustrative purpose only and form no part of the claimed design.

(56) **References Cited**
U.S. PATENT DOCUMENTS

5,887,239 A * 3/1999 Hong et al. 399/405
D409,168 S * 5/1999 Myers et al. D14/453
6,065,747 A * 5/2000 Khovaylo et al. 271/209

1 Claim, 3 Drawing Sheets

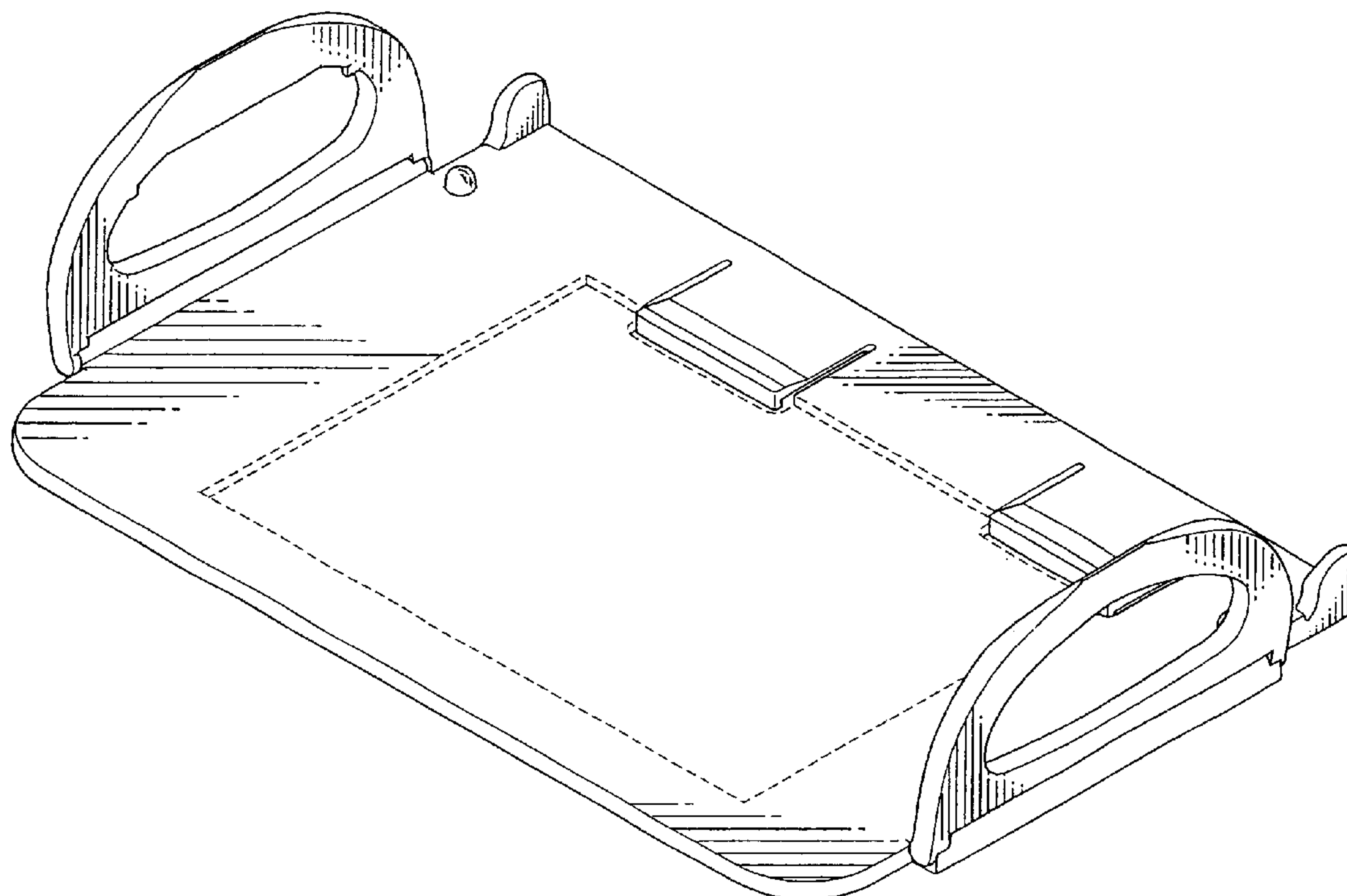


Fig.1

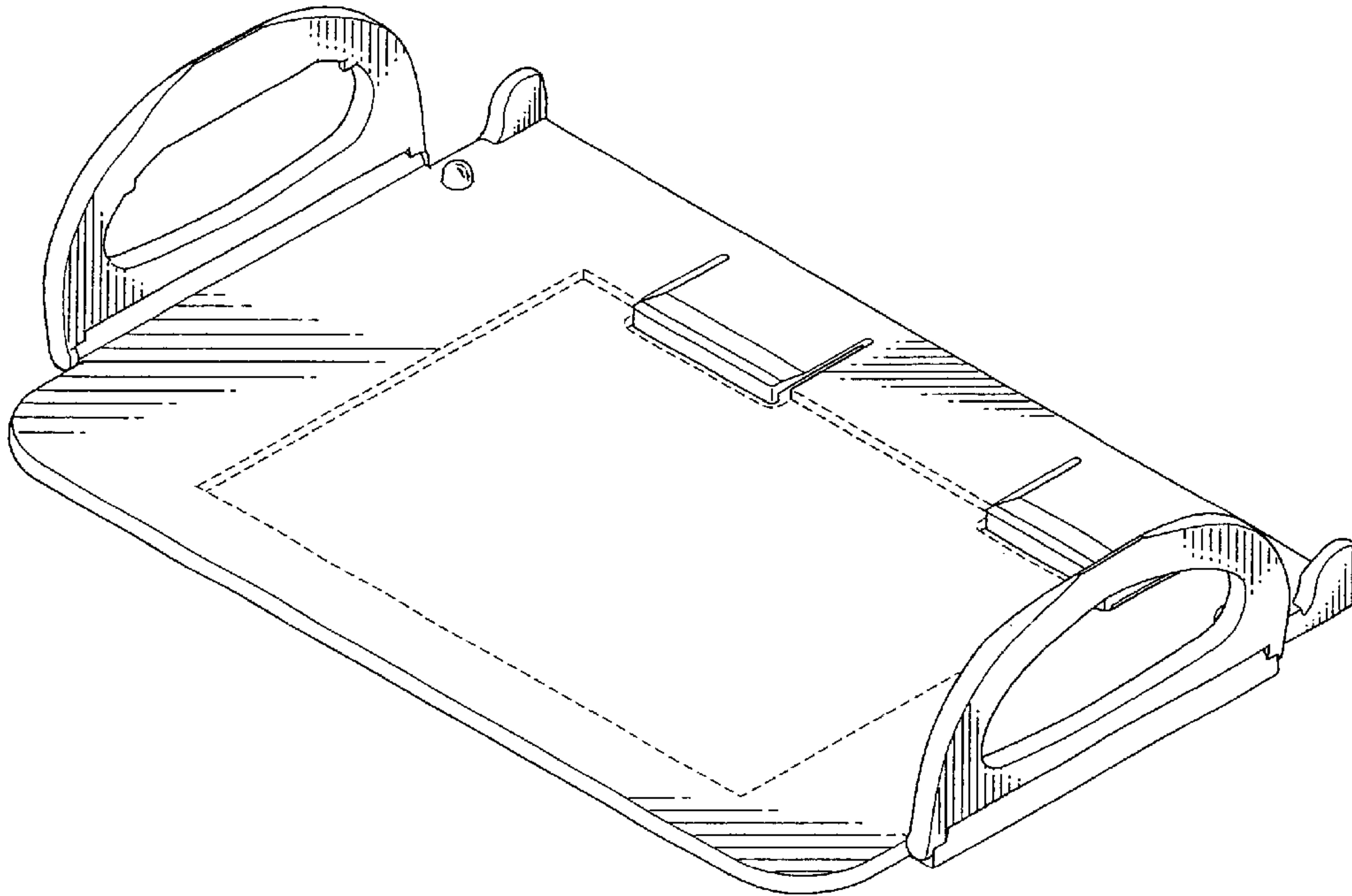


Fig.2

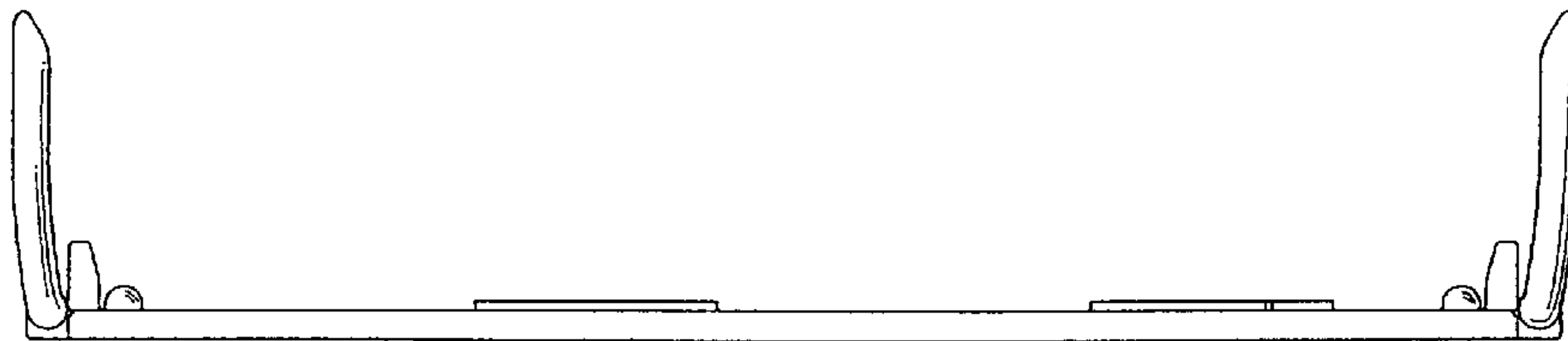


Fig.3

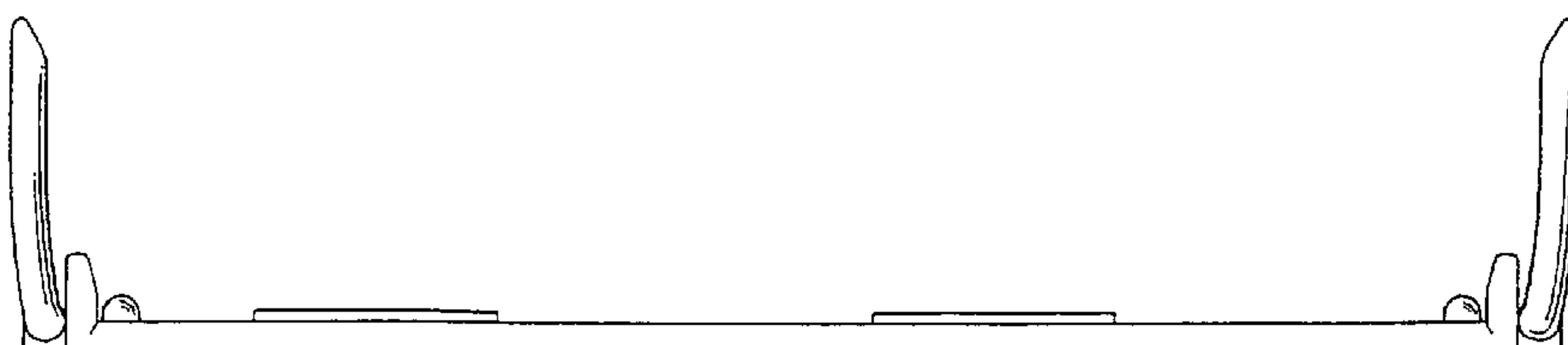


Fig.4

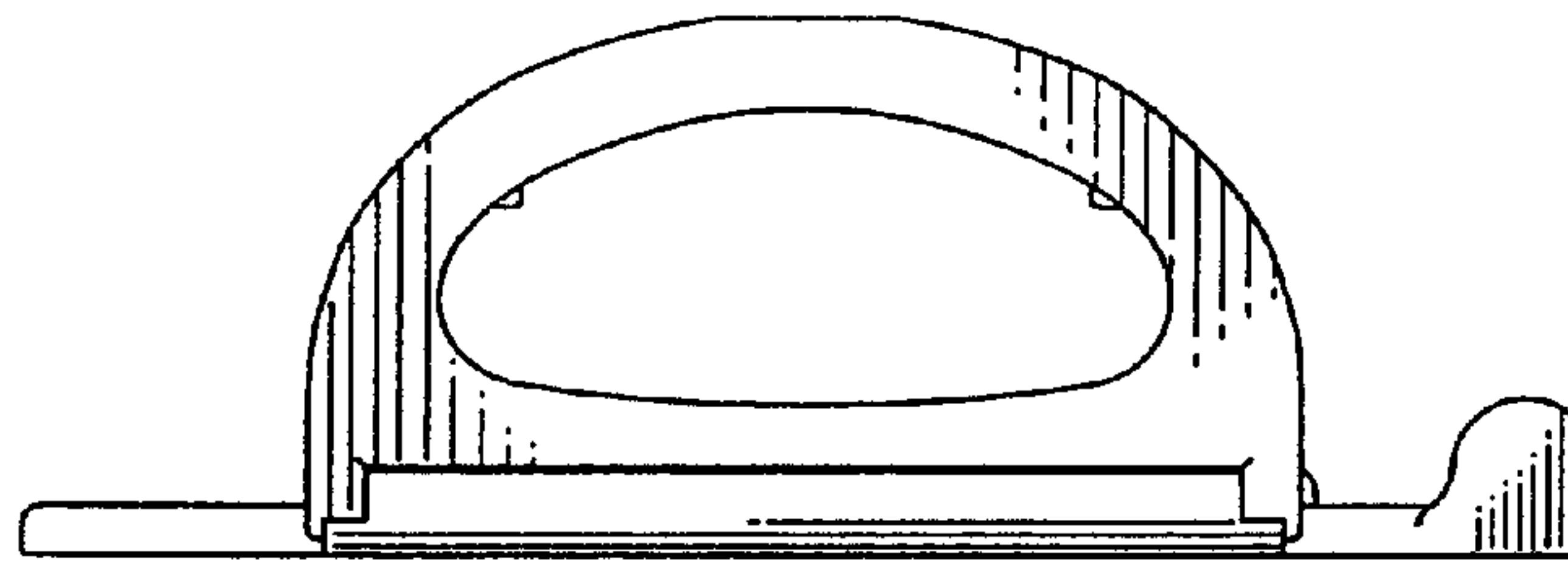


Fig.5

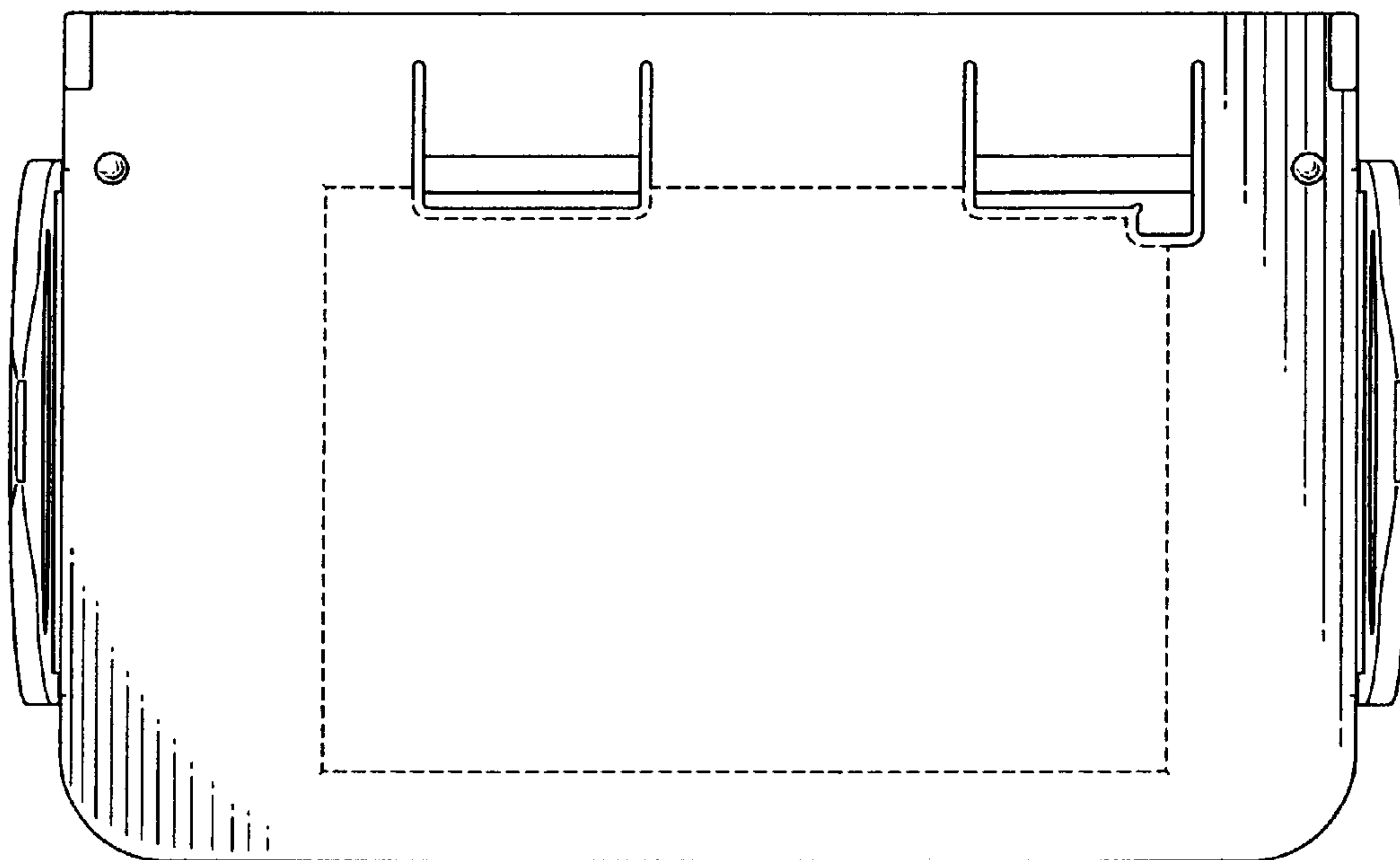


Fig.6

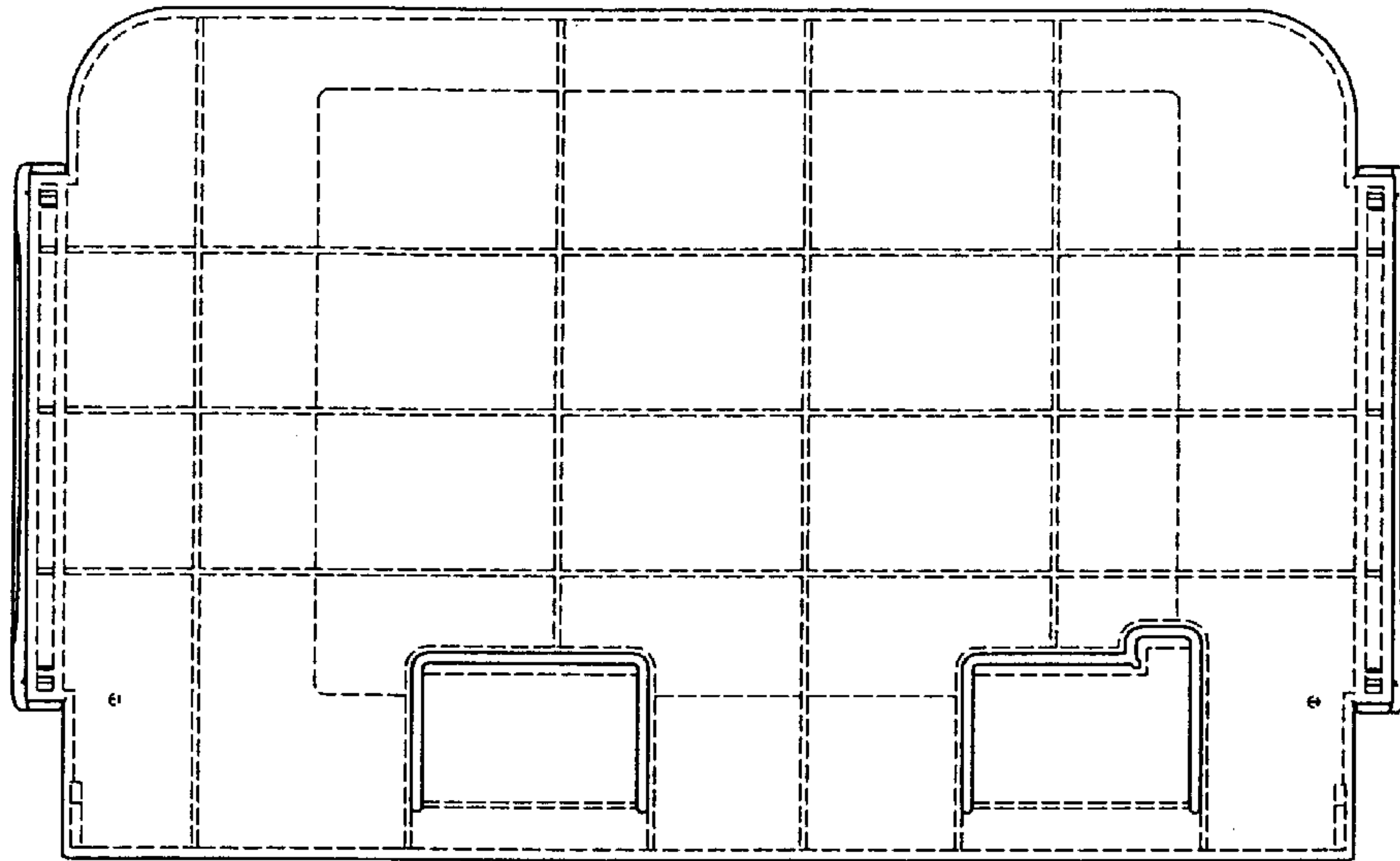


Fig.7

