

US00D514582S

(12) **United States Design Patent** (10) **Patent No.:** **US D514,582 S**  
**Dulberger** (45) **Date of Patent:** **\*\* Feb. 7, 2006**

(54) **UNIVERSAL HOOD AND KIT FOR LAPTOP COMPUTER LCD SCREEN**

6,356,439 B1 3/2002 Schmidt  
D467,931 S \* 12/2002 Dulberger ..... D14/449  
2003/0089832 A1 5/2003 Gold

(75) Inventor: **Michael D. Dulberger**, Avon, CT (US)

**FOREIGN PATENT DOCUMENTS**

(73) Assignee: **Dul Co. LLC**, Avon, CT (US)

EP 0 706 289 A1 10/1995  
WO WO 98/01800 1/1998

(\*\*) Term: **14 Years**

**OTHER PUBLICATIONS**

(21) Appl. No.: **29/188,113**

Navstore.com (www.navstore.com/laptop\_glare\_stop-  
per.asp) Feb. 9, 2005 □□Adjustable Laptop Sun Visor.\*  
Ergonomic Products Catalogue (www.ergotect.com/prod-  
ucts/accessories/ACCES.HTM) Feb. 9, 2005 □□Stand-al-  
one monitor visor.\*

(22) Filed: **Aug. 12, 2003**

(51) **LOC (8) Cl.** ..... **14-02**

(52) **U.S. Cl.** ..... **D14/449**

(58) **Field of Classification Search** ..... D14/432,  
D14/439, 440, 448-450; 2/195.1, 195.2,  
2/195.5, 195.6; 359/601-604, 609, 704; D3/269;  
D2/882; D99/43

See application file for complete search history.

\* cited by examiner

*Primary Examiner*—Freda S. Nunn

(74) *Attorney, Agent, or Firm*—Intellectual Property  
Advisors LLC; Damian G. Wasserbauer

(56) **References Cited**

(57) **CLAIM**

**U.S. PATENT DOCUMENTS**

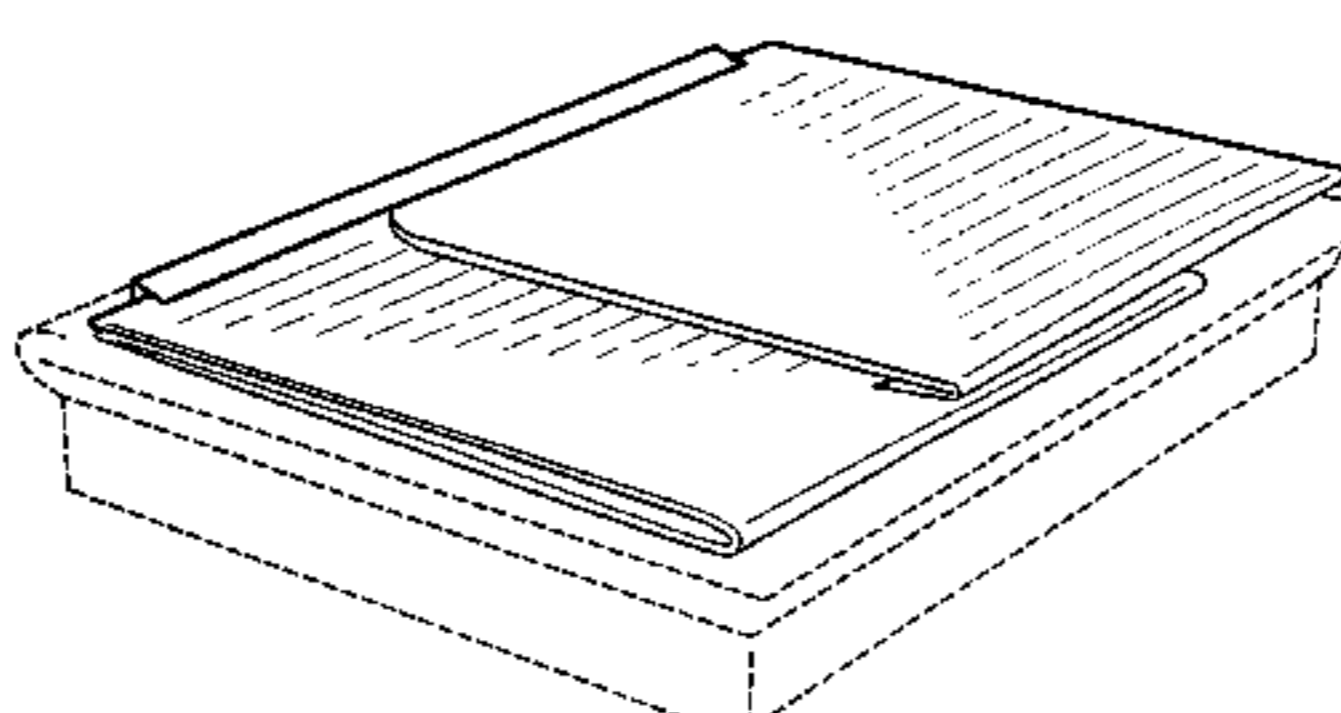
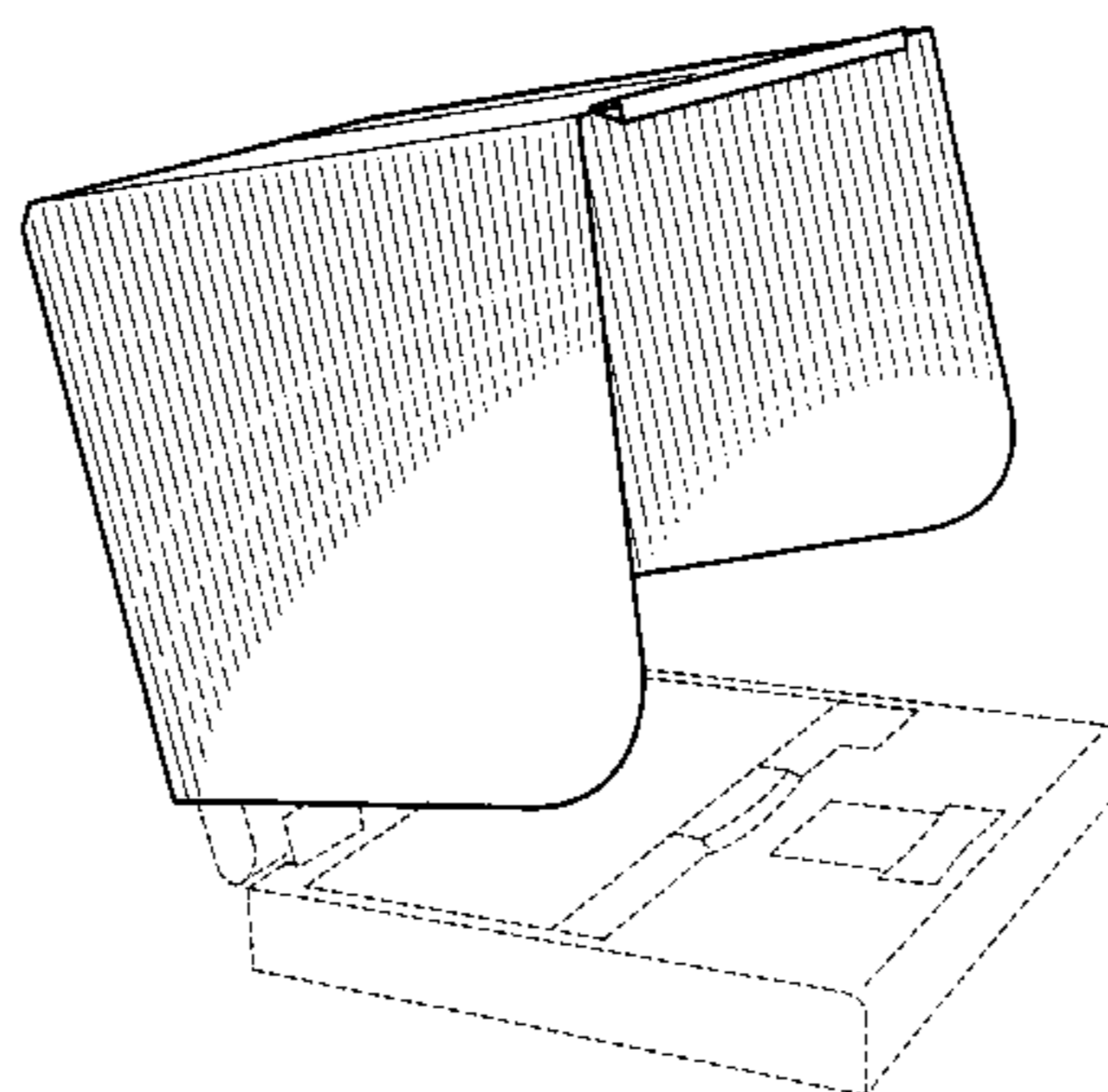
The ornamental design for a universal hood and kit for  
laptop computer LCD screen, as shown and described.

- 4,314,280 A 2/1982 Rose
- 4,446,571 A 5/1984 Ross
- 4,633,324 A 12/1986 Giulie
- 4,784,468 A 11/1988 Tierney
- 5,115,345 A \* 5/1992 Hobson et al. .... 359/601
- 5,121,253 A \* 6/1992 Waintroob ..... 359/601
- 5,218,474 A 6/1993 Kirschner
- 5,237,453 A 8/1993 Jones
- 5,325,970 A 7/1994 Dillon et al.
- 5,337,772 A 8/1994 Habchi
- 5,400,903 A 3/1995 Cooleu
- 5,638,852 A 6/1997 Dean
- D385,543 S \* 10/1997 Phirippidis et al. .... D14/449
- 5,717,566 A 2/1998 Tao
- 5,905,546 A 5/1999 Giulie et al.
- D411,753 S \* 6/1999 Jobin ..... D99/43
- 5,988,823 A 11/1999 Wong
- 6,046,754 A 4/2000 Stanek
- 6,115,238 A 9/2000 von Gutfeld
- D431,536 S \* 10/2000 Feasey ..... D14/449

**DESCRIPTION**

FIG. 1 is a perspective view of a universal hood and kit for  
laptop computer LCD screen in an open position;  
FIG. 2 is another perspective view thereof in the compact  
storage position;  
FIG. 3 is a front view thereof showing the joined sections;  
FIG. 4 is a back view thereof;  
FIG. 5 is a side view thereof;  
FIG. 6 is a top view thereof;  
FIG. 7 is a bottom view thereof;  
FIG. 8 is an assembled perspective view thereof;  
FIG. 9 is an exploded view thereof; and,  
FIG. 10 is a single panel thereof.  
The broken lines are shown in the views for illustrative  
purposes only and form no part of the claimed design.

**1 Claim, 9 Drawing Sheets**



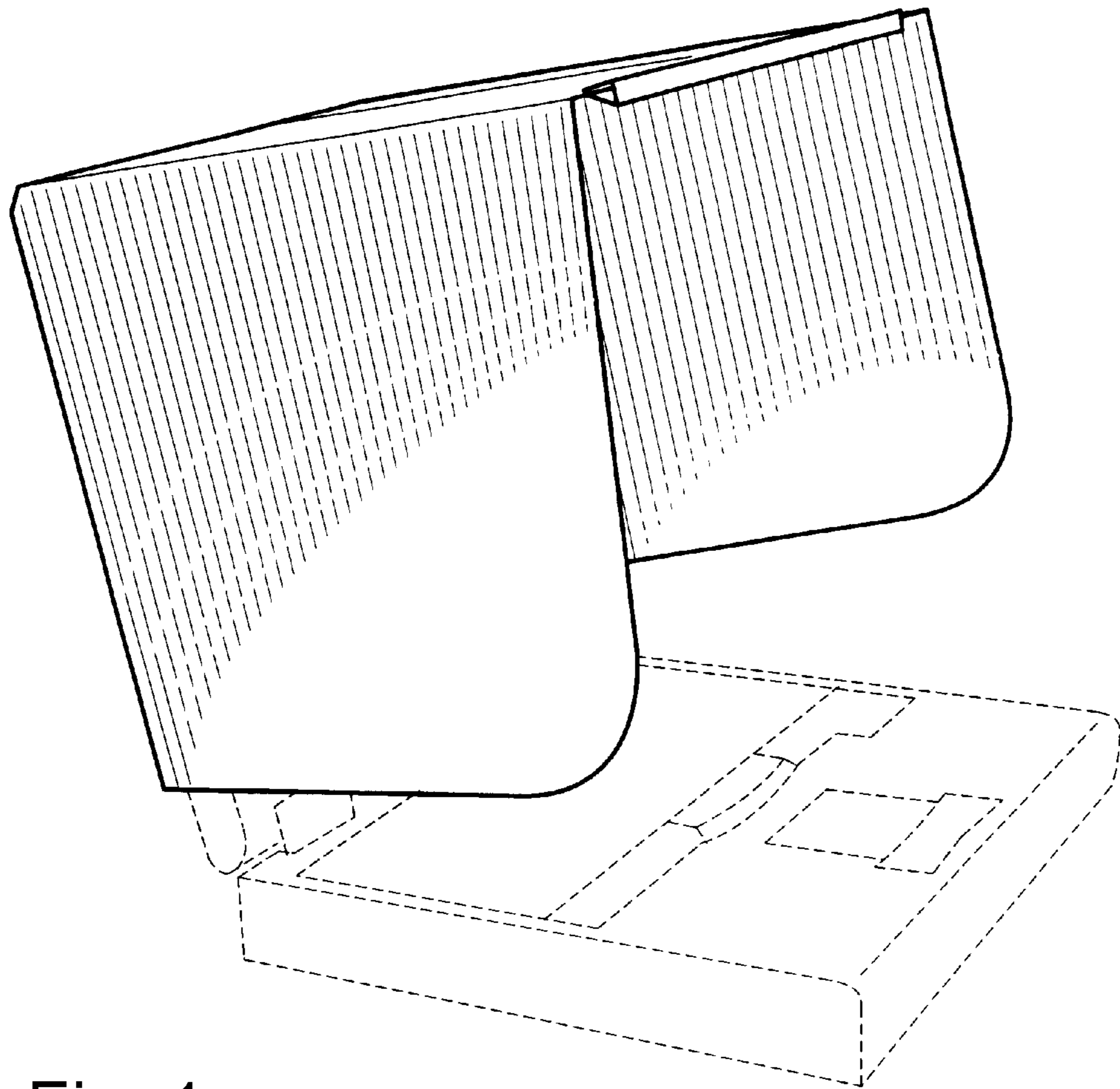


Fig. 1

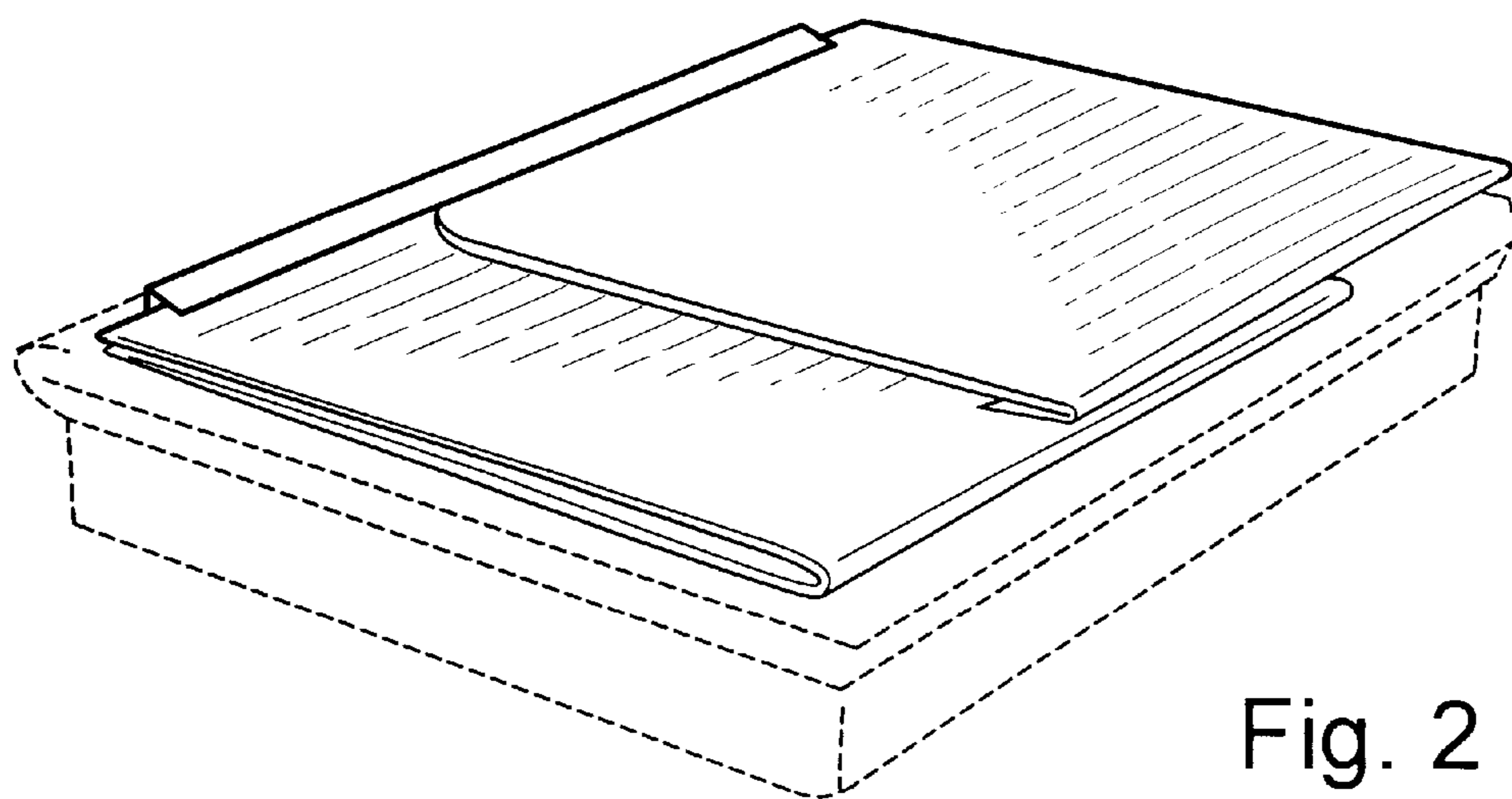


Fig. 2

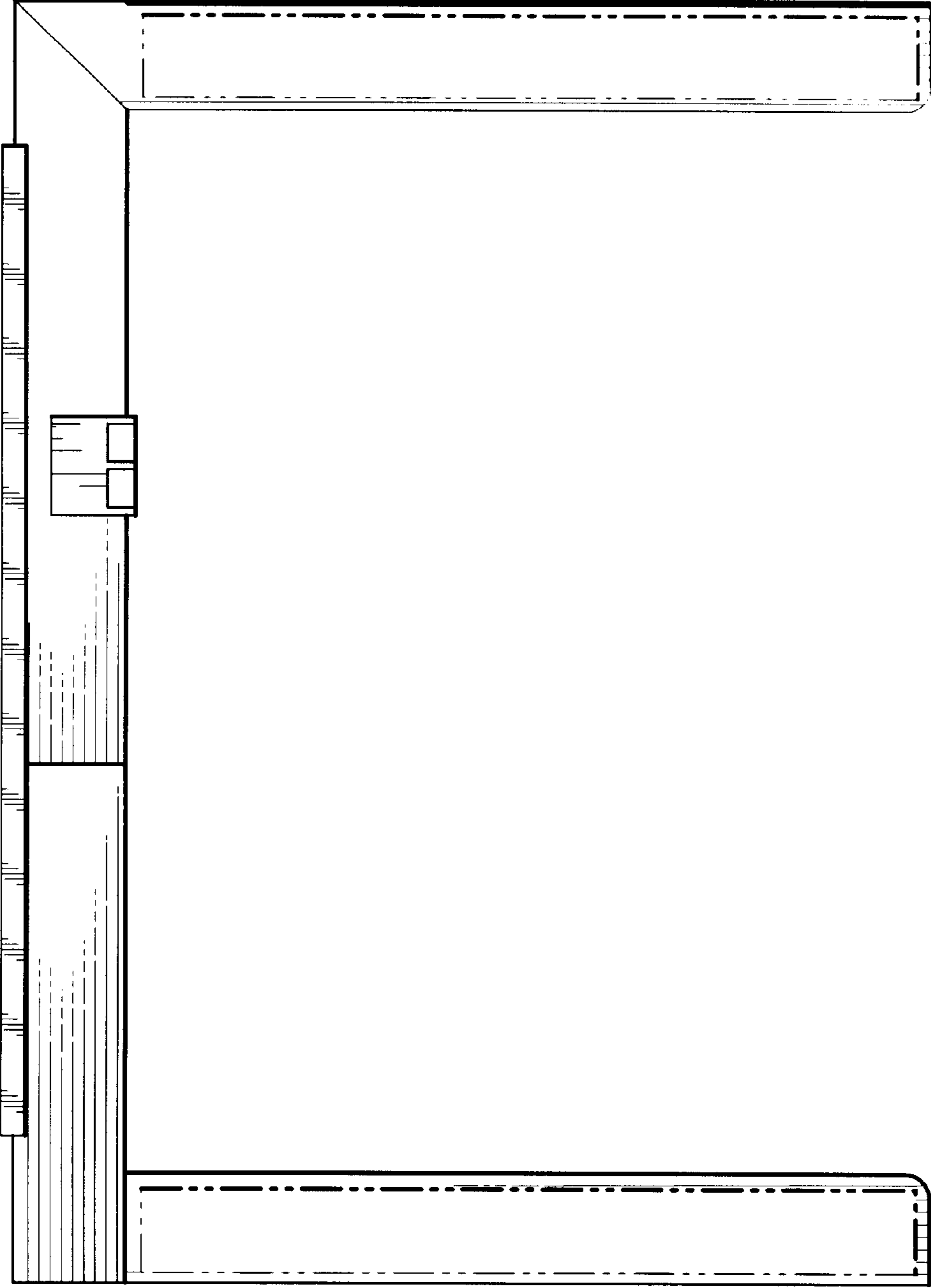


Fig. 3

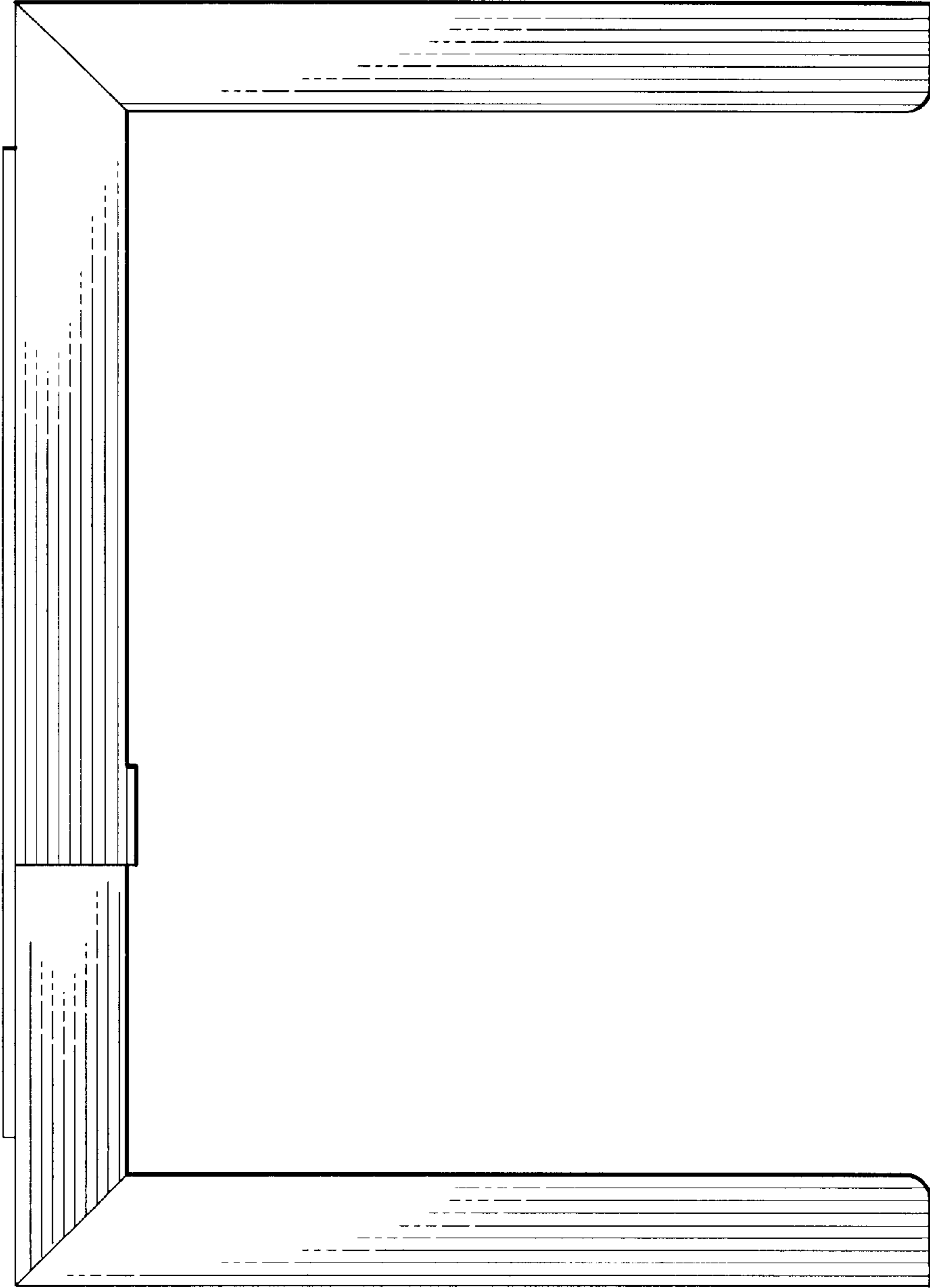


Fig. 4

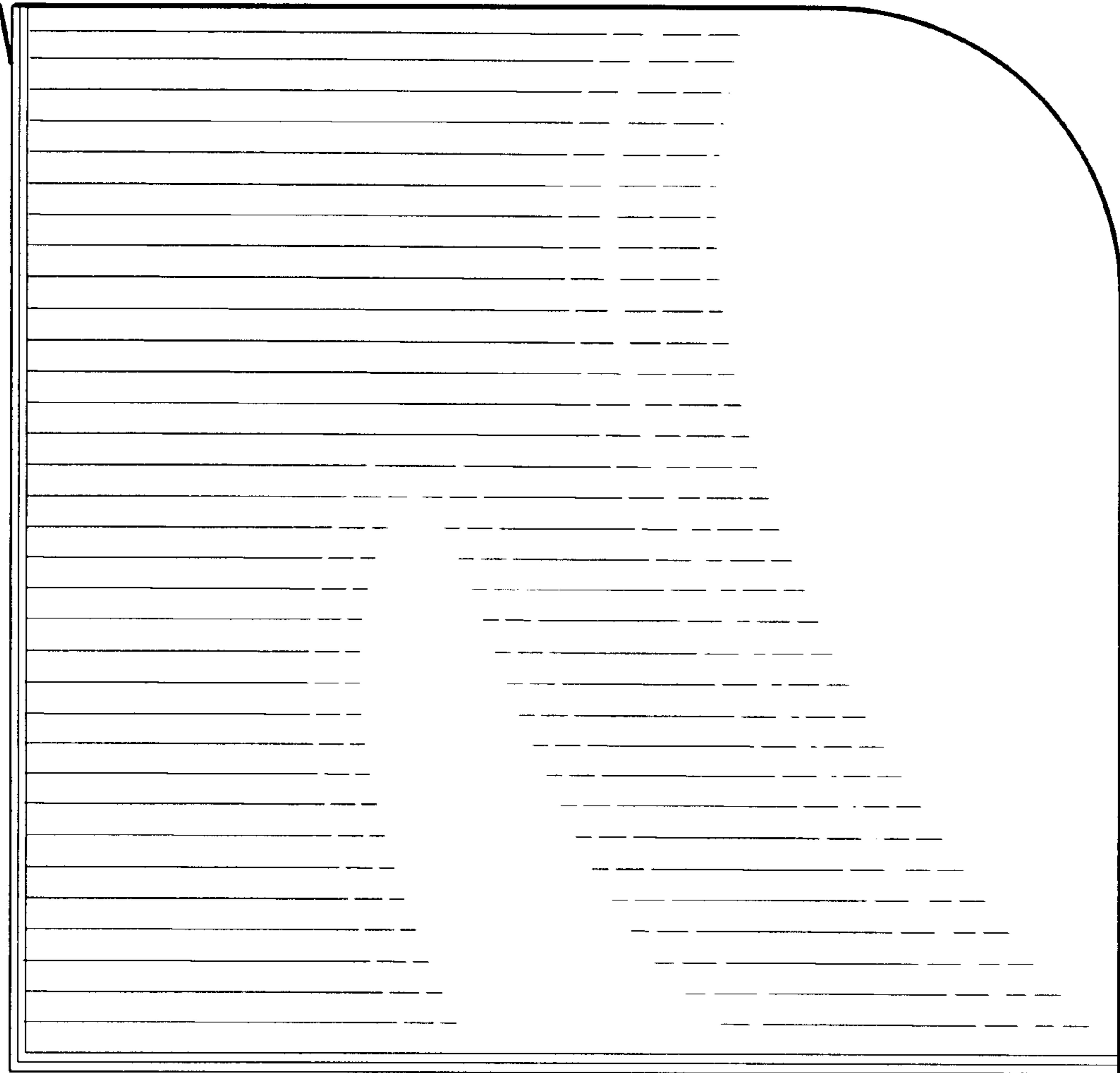


Fig. 5

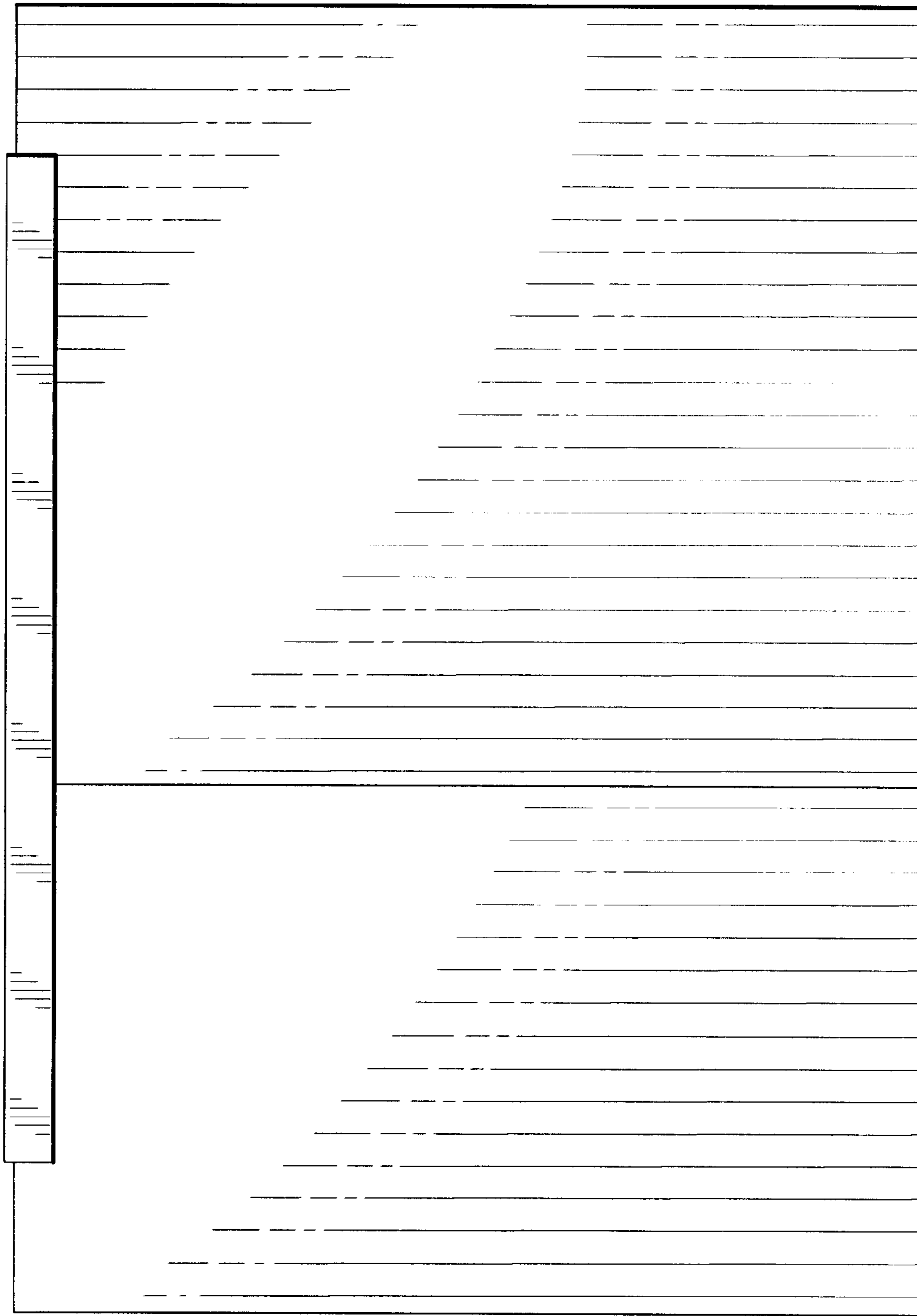


Fig. 6

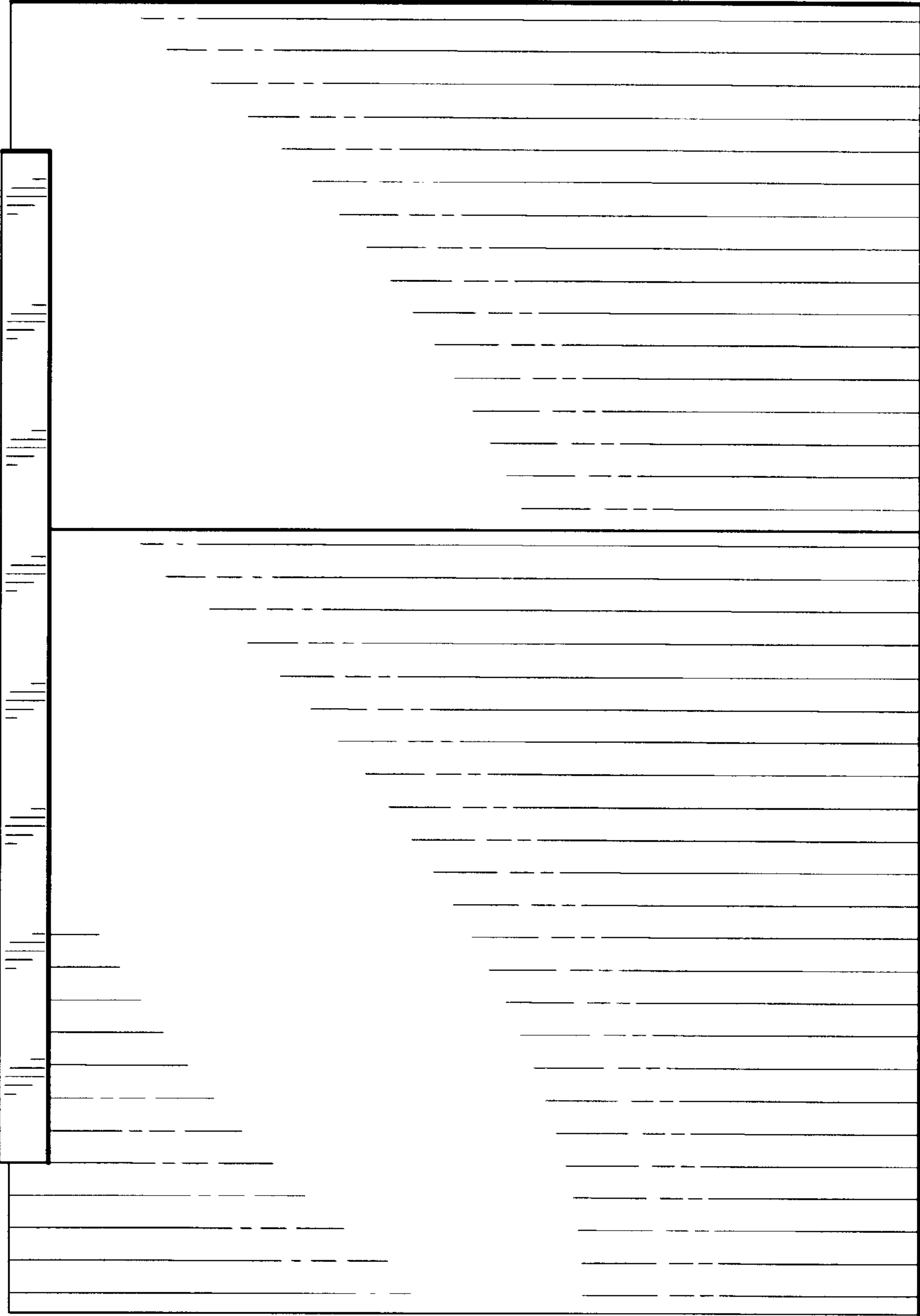


Fig. 7

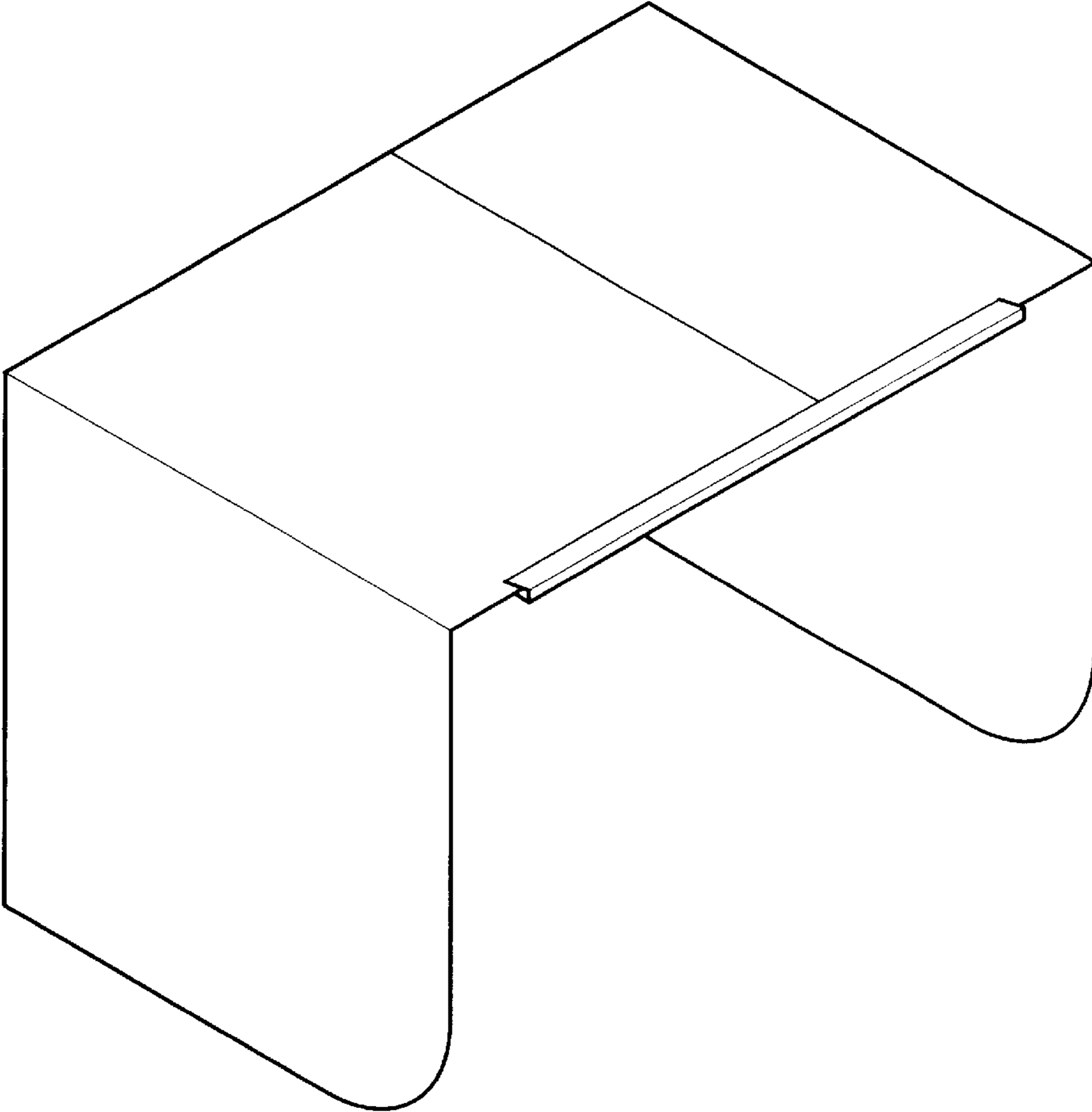


Fig. 8



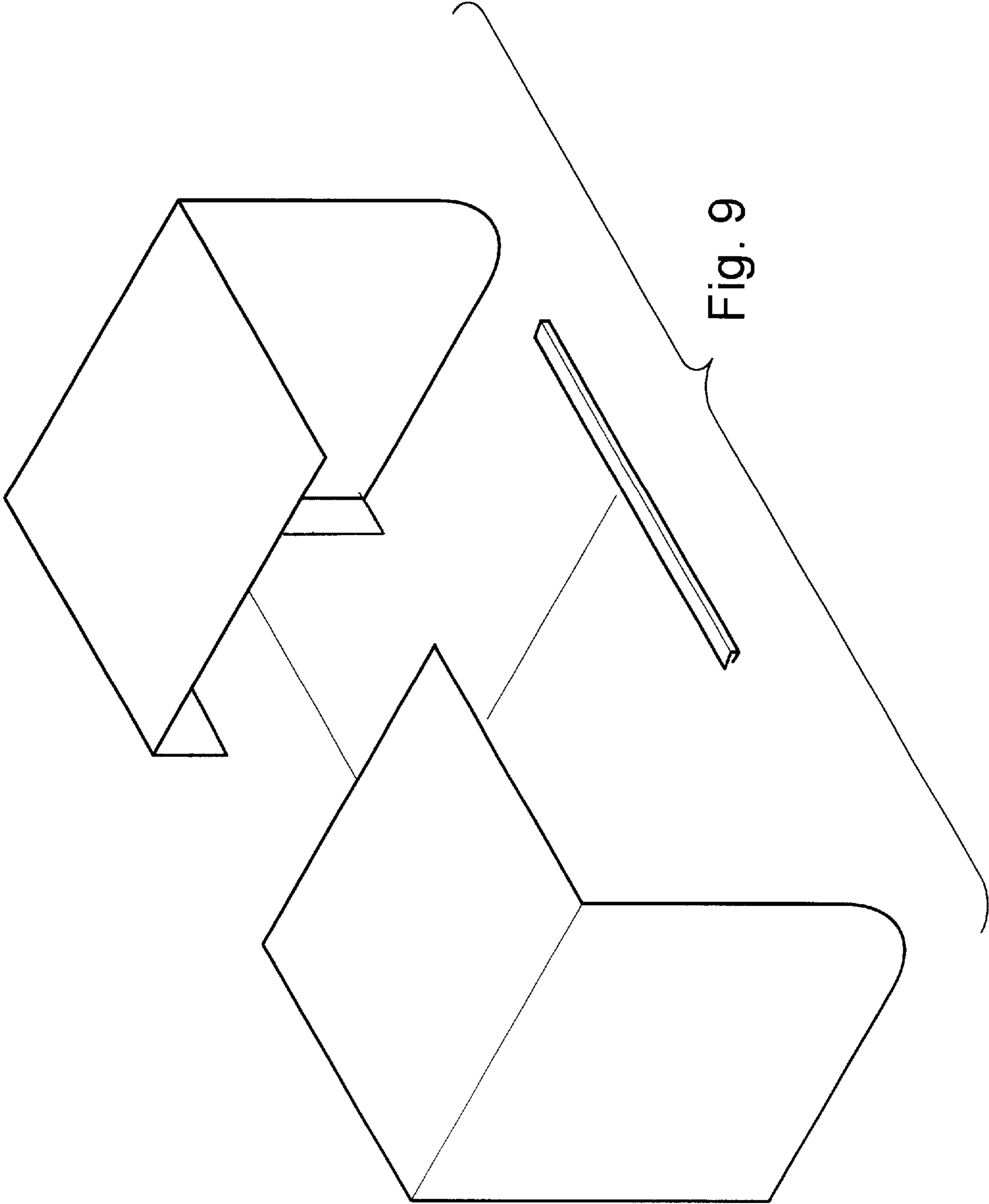


Fig. 9

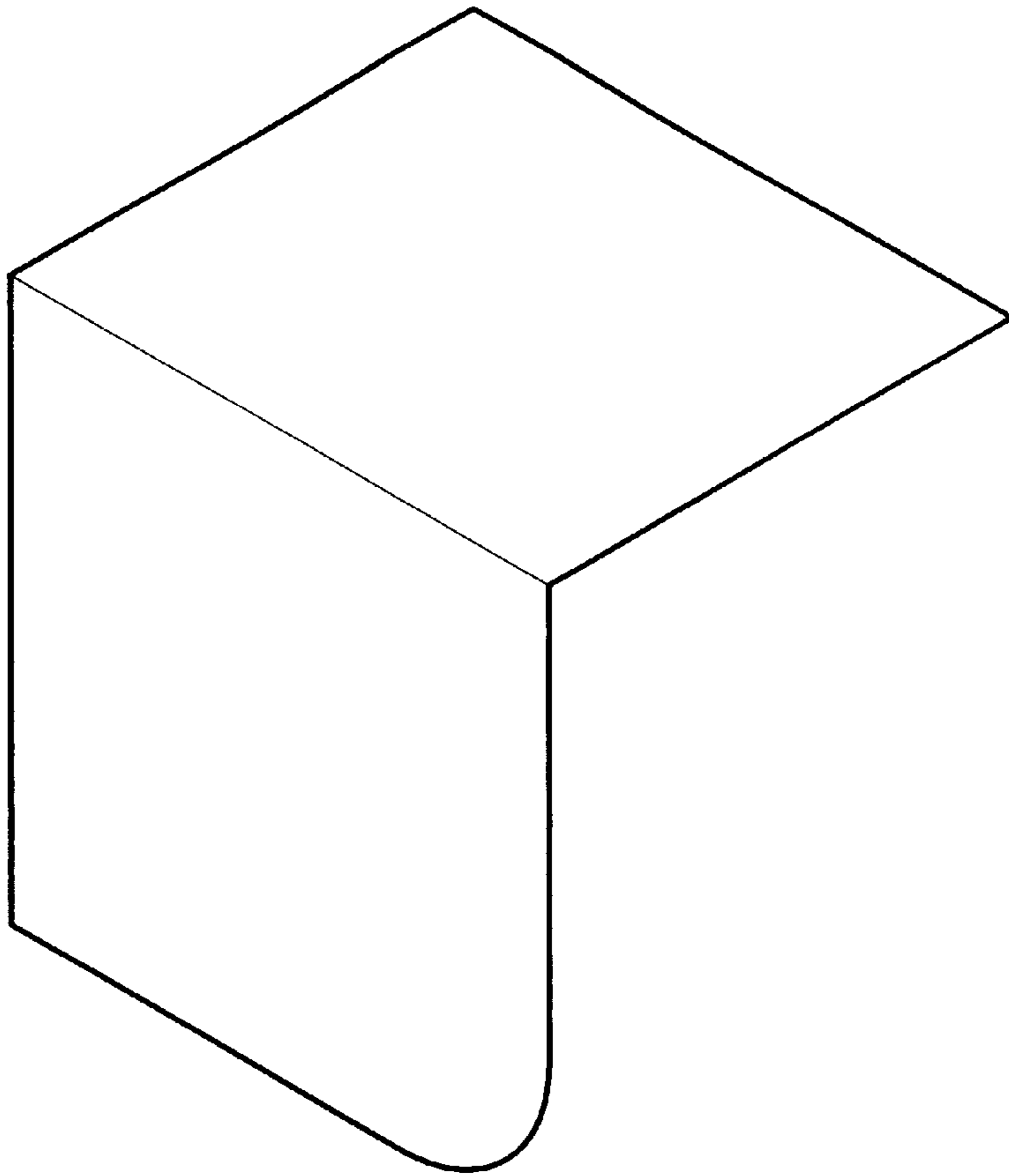


Fig. 10