



US00D514580S

(12) **United States Design Patent** (10) **Patent No.:** **US D514,580 S**  
**Wang et al.** (45) **Date of Patent:** **\*\* Feb. 7, 2006**

(54) **FRONT BEZEL FOR A COMPUTER ENCLOSURE**

D438,517 S \* 3/2001 Chen et al. .... D14/444  
D439,254 S \* 3/2001 Zhao ..... D14/441

(75) Inventors: **Min-Rui Wang**, Shenzhen (CN);  
**Chun-Chi Liang**, Tu-Chen (TW);  
**Yun-Dong Xu**, Shenzhen (CN)

\* cited by examiner

*Primary Examiner*—Freda S. Nunn  
(74) *Attorney, Agent, or Firm*—Wei Te Chung

(73) Assignee: **Hon Hai Precision Ind. Co., Ltd.**,  
Taipei Hsien (TW)

(57) **CLAIM**

(\*\*) Term: **14 Years**

The ornamental design for a front bezel for a computer enclosure, as shown and described.

(21) Appl. No.: **29/213,222**

**DESCRIPTION**

(22) Filed: **Sep. 14, 2004**

FIG. 1 is a perspective view of a front bezel for a computer enclosure showing our new design mounted on a computer enclosure;

(30) **Foreign Application Priority Data**

Jul. 24, 2004 (CN) ..... 200430045632

FIG. 2 is a front elevational view thereof;

(51) **LOC (8) Cl.** ..... **14-02**

FIG. 3 is a rear elevational view thereof;

(52) **U.S. Cl.** ..... **D14/445**

FIG. 4 is a left side elevational view thereof;

(58) **Field of Classification Search** ..... D14/441-446;  
D13/162, 184, 199; 312/223.2; 361/680-686,  
361/690-696

FIG. 5 is a right side elevational view thereof;

See application file for complete search history.

FIG. 6 is a top plan view thereof; and,

FIG. 7 is a bottom plan view thereof.

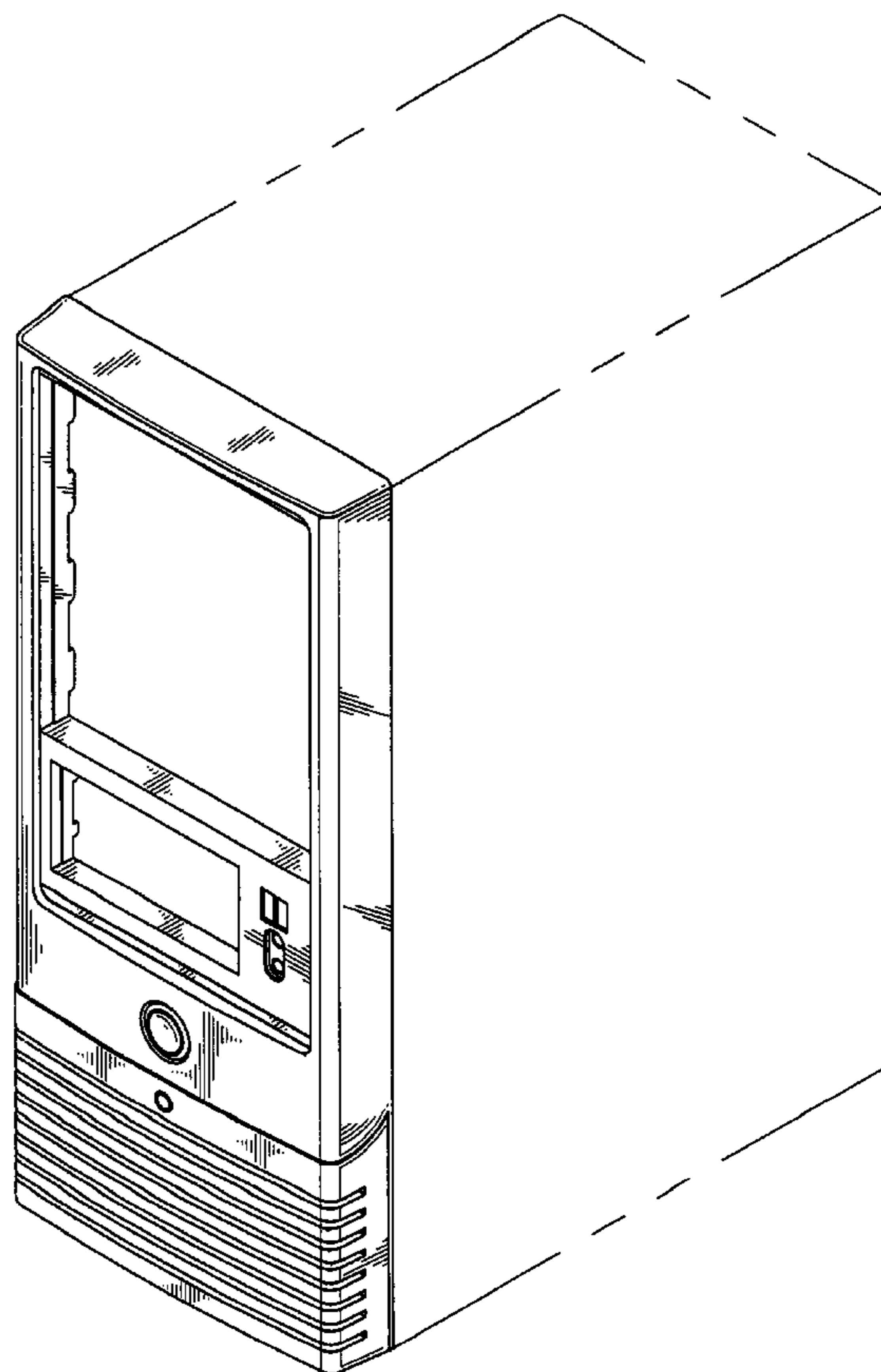
The broken line showing of a computer enclosure in the views is for illustrative environmental purposes only and forms no part of the claimed design.

(56) **References Cited**

**U.S. PATENT DOCUMENTS**

6,000,769 A \* 12/1999 Chen ..... 312/223.2

**1 Claim, 7 Drawing Sheets**



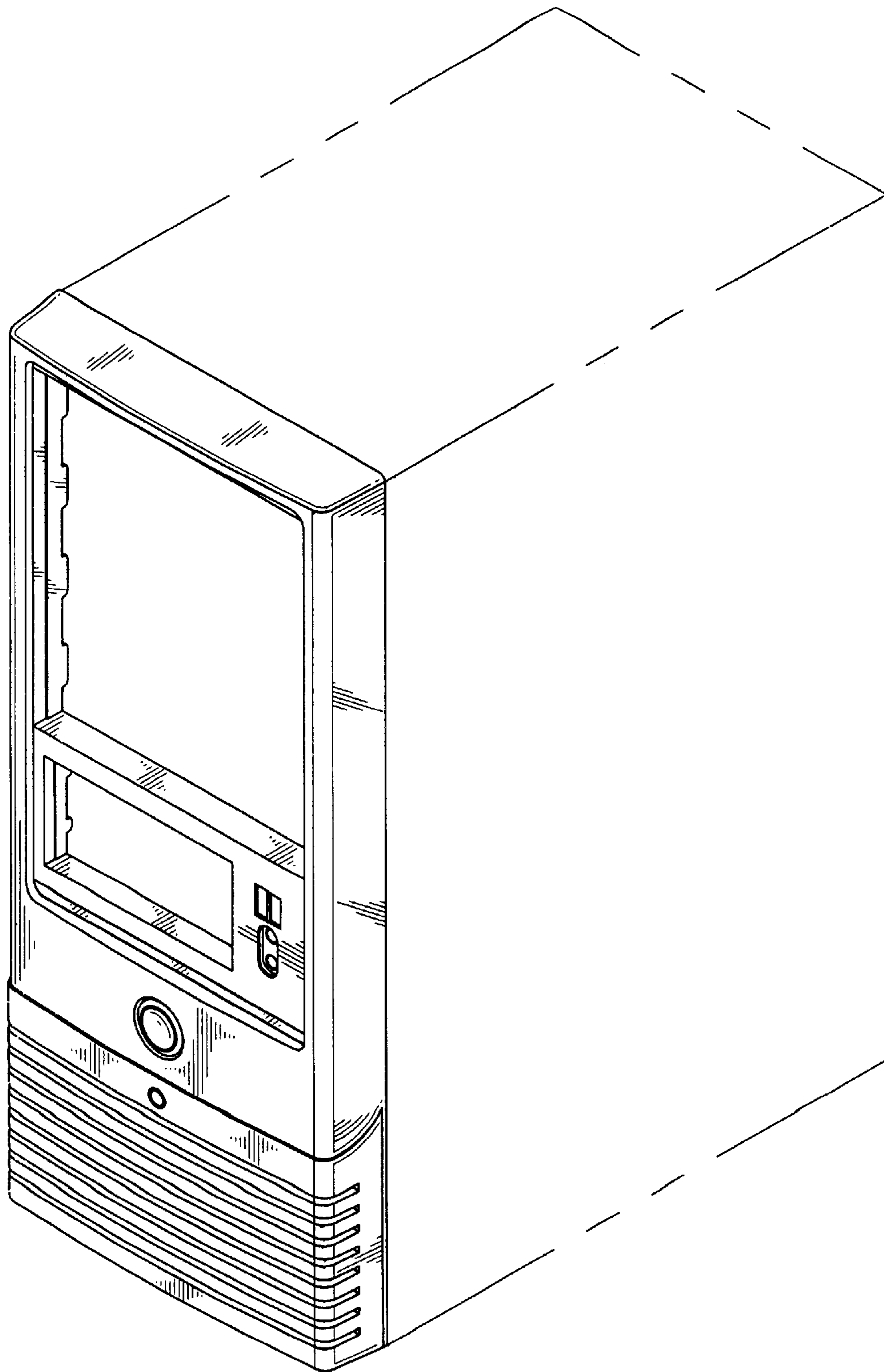


FIG. 1

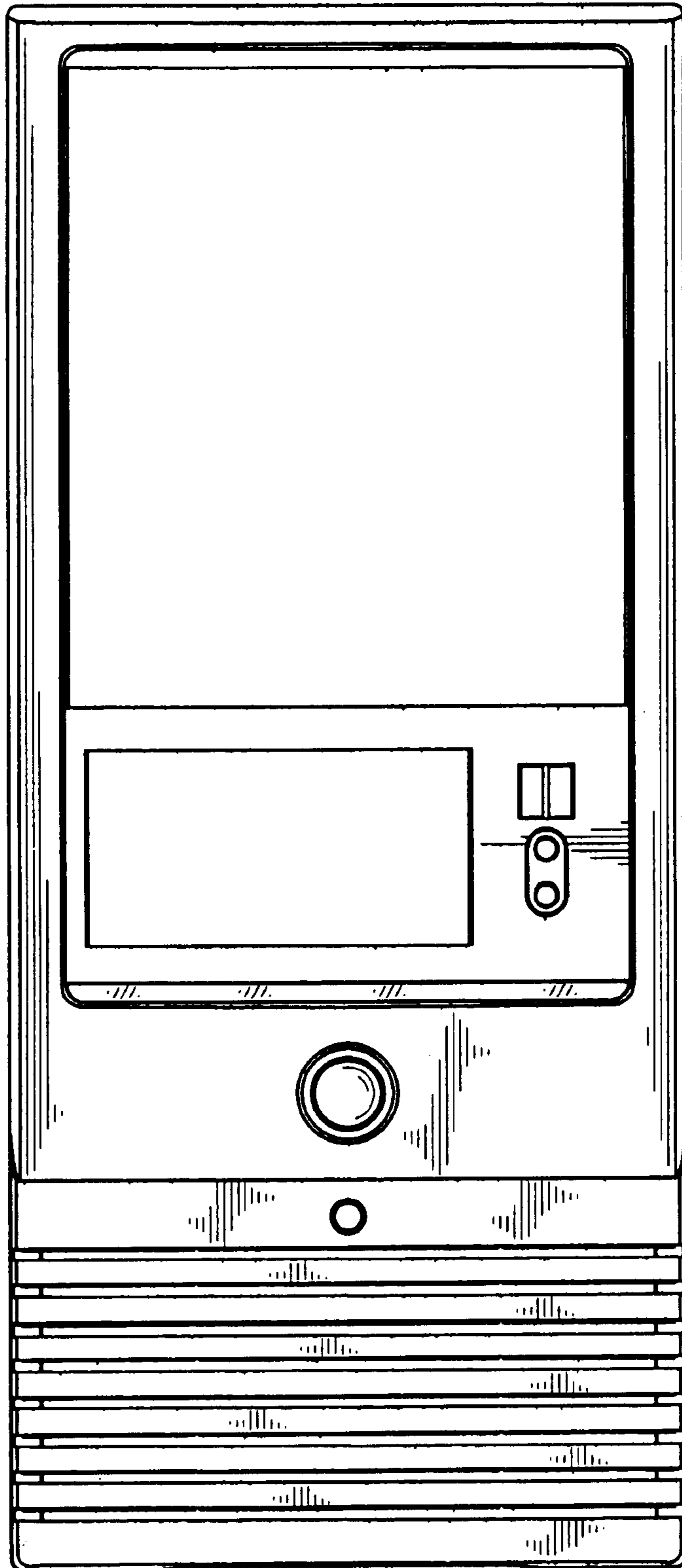


FIG. 2

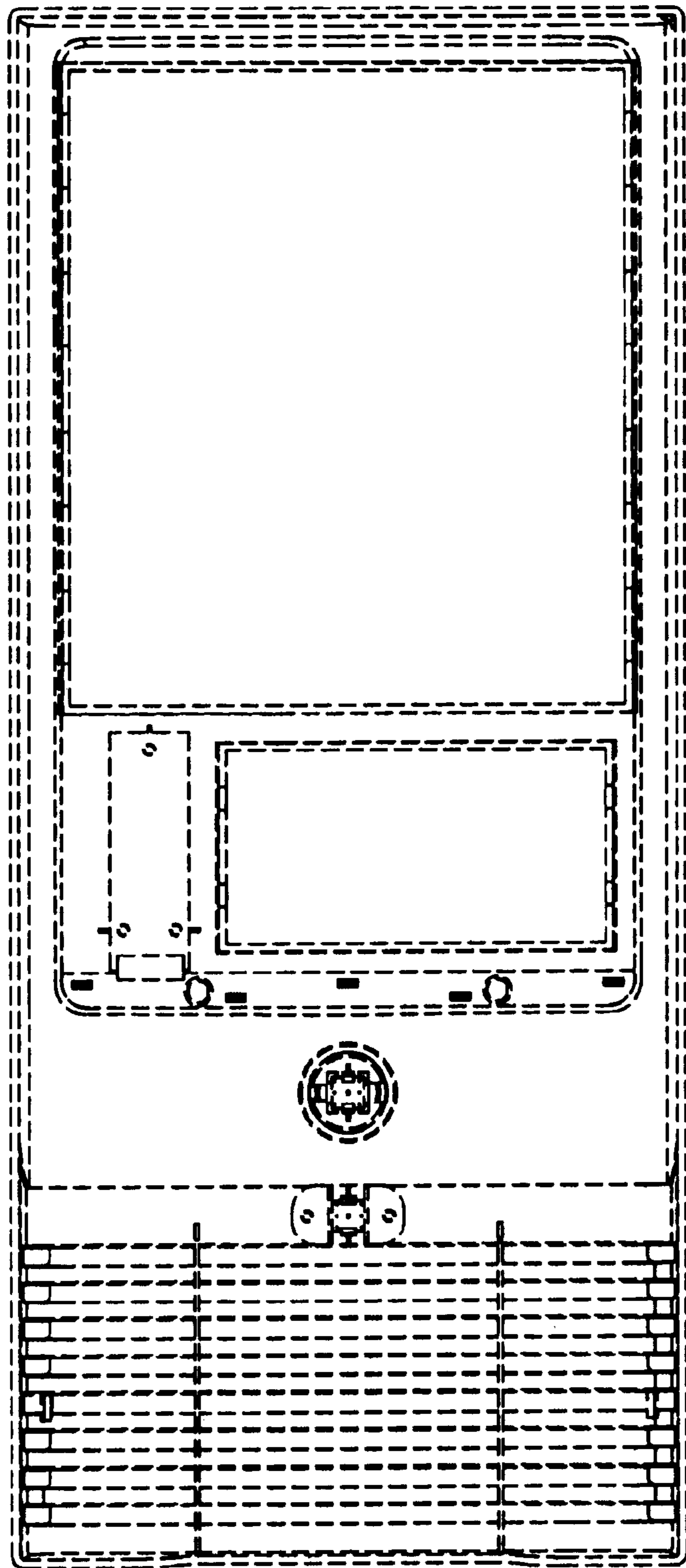


FIG. 3

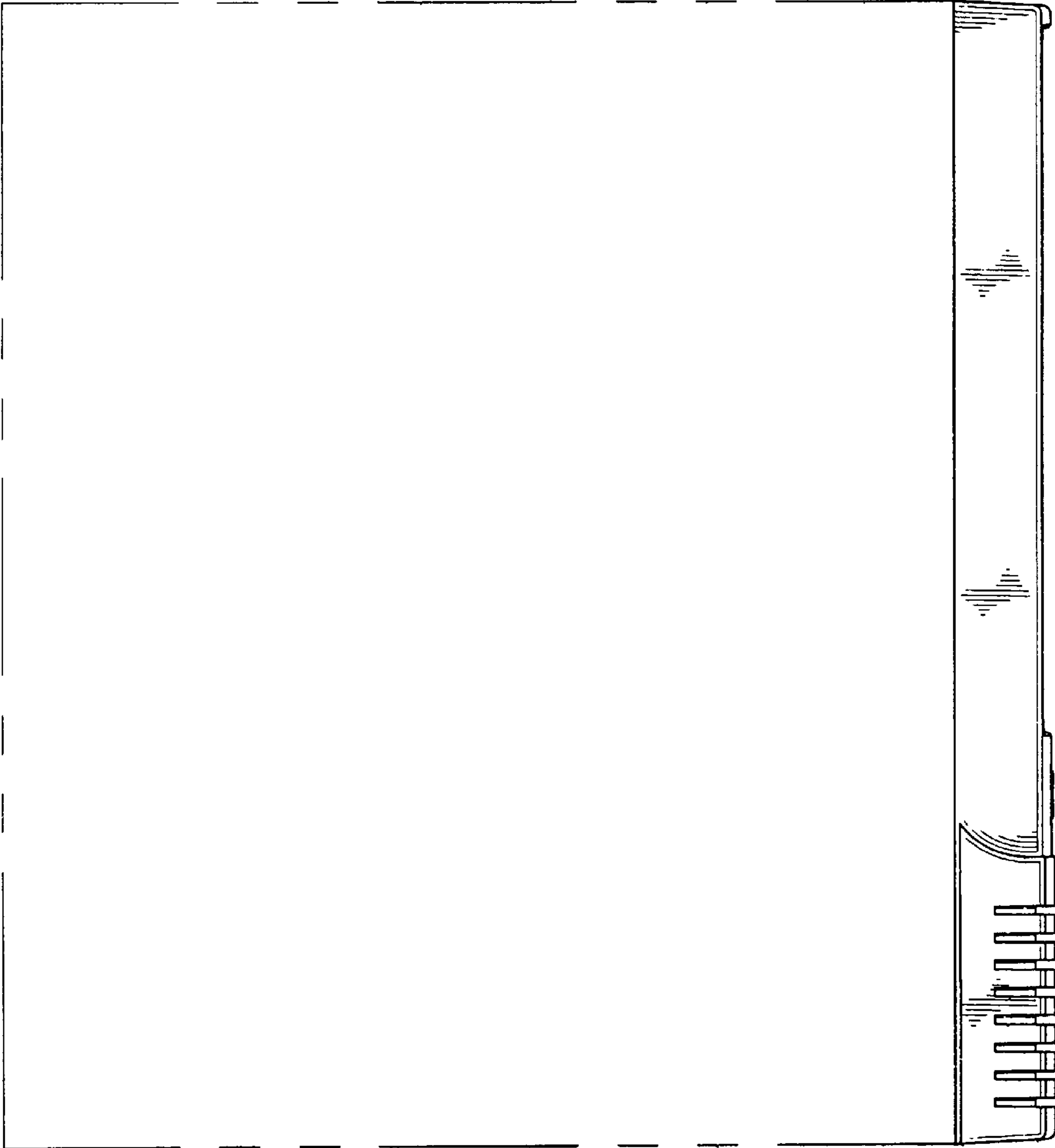


FIG. 4

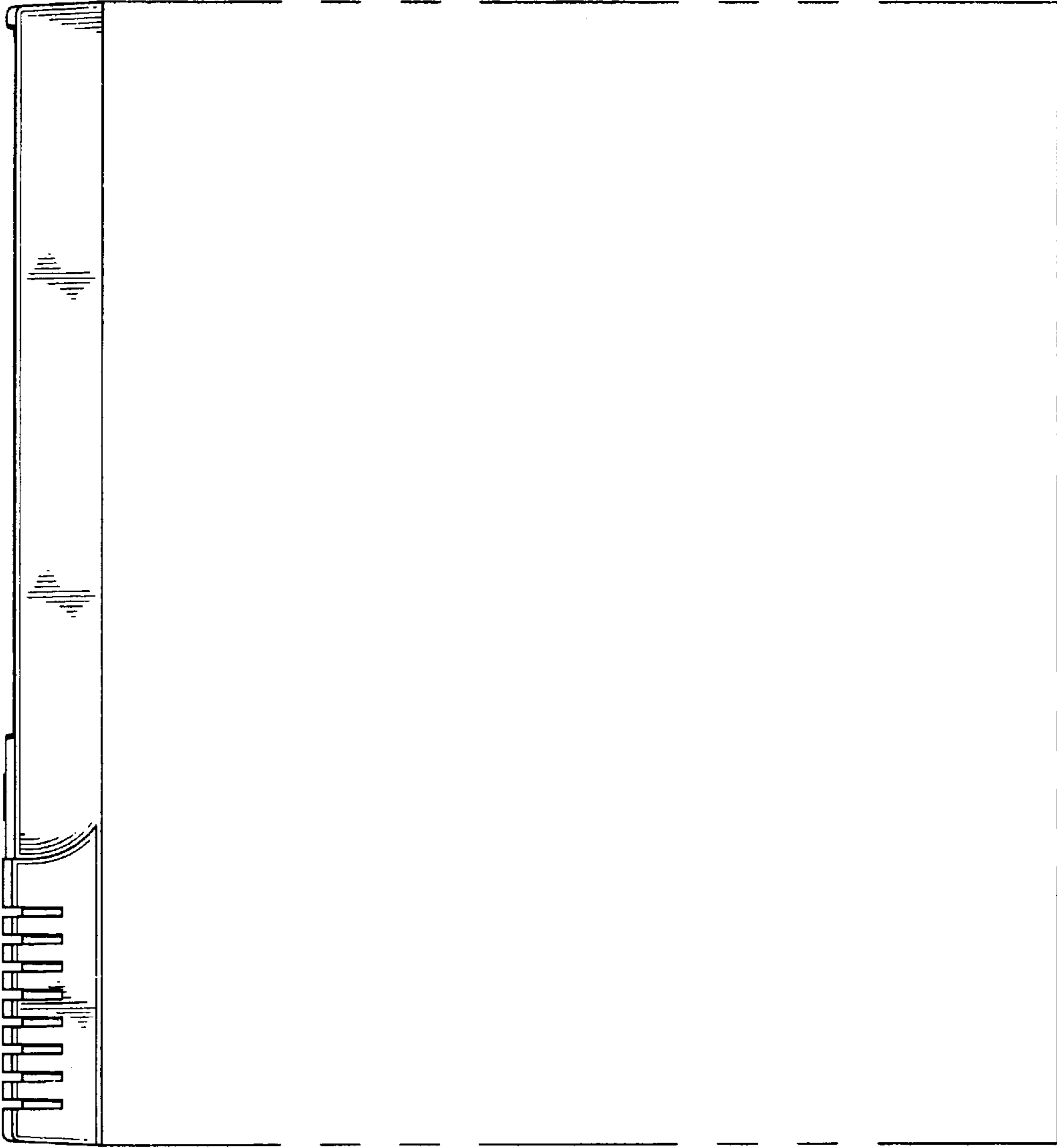


FIG. 5

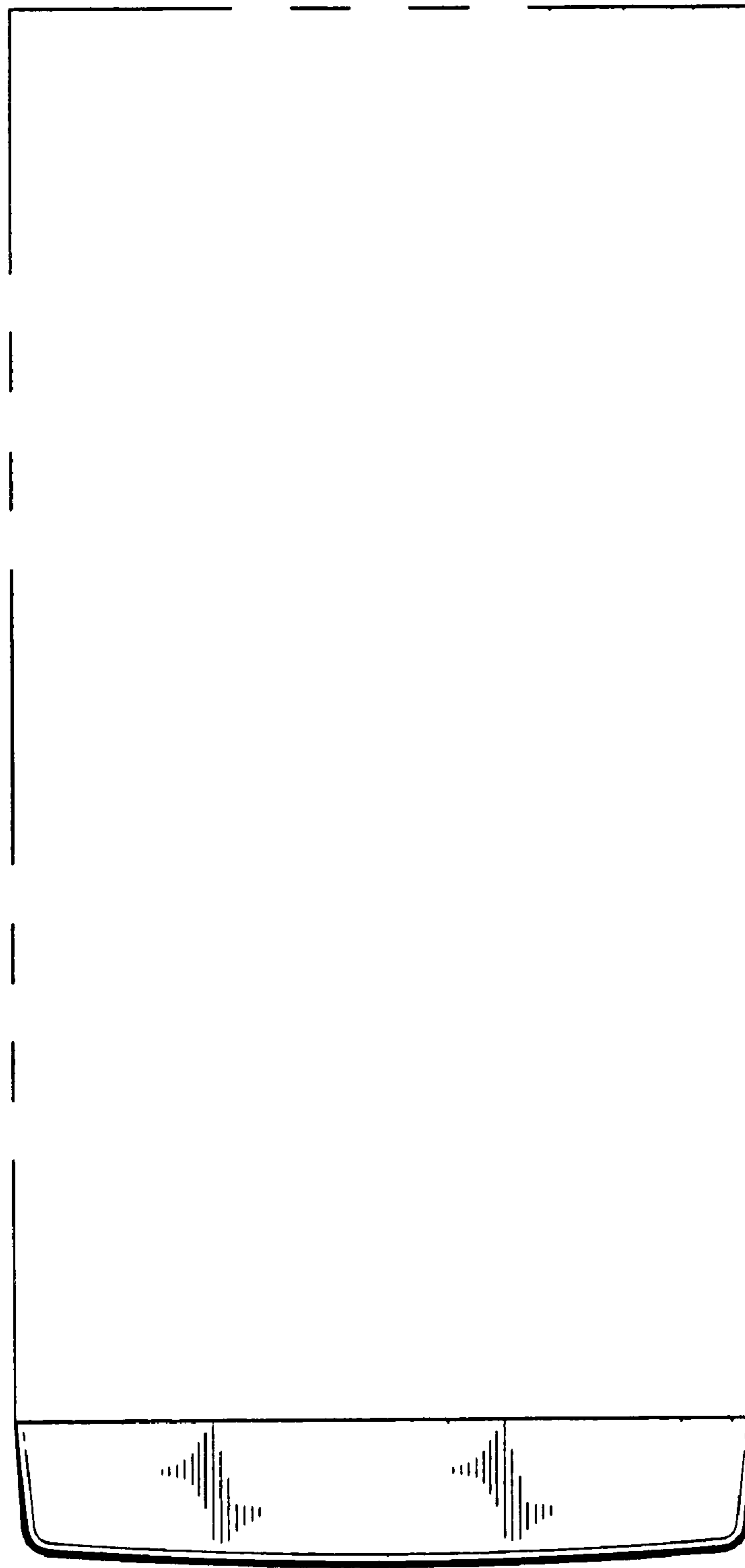


FIG. 6

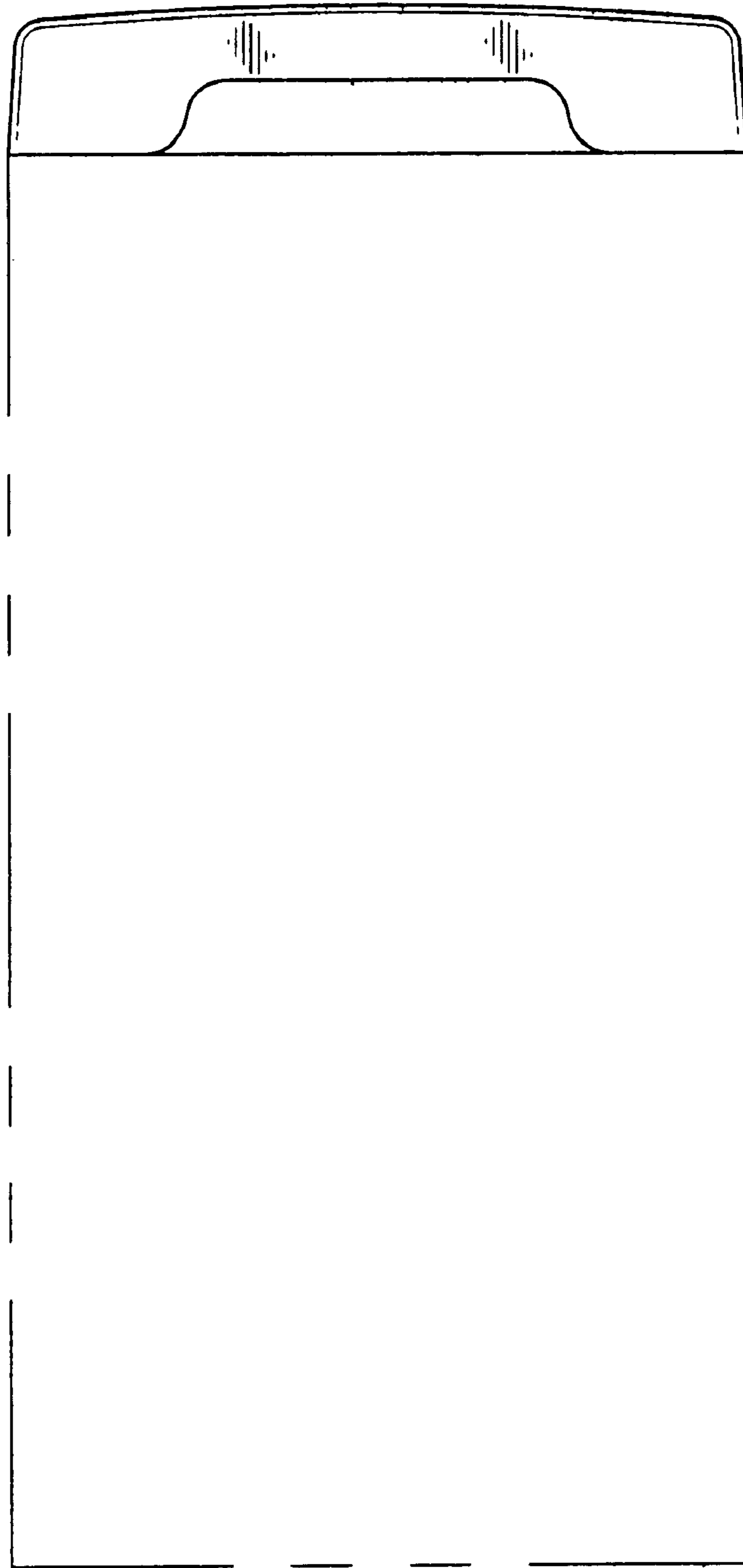


FIG. 7