



US00D514576S

(12) **United States Design Patent** (10) **Patent No.:** **US D514,576 S**
Sung et al. (45) **Date of Patent:** **** Feb. 7, 2006**

- (54) **DOCK STATION FOR A HANDHELD DATA PROCESSING DEVICE**
- (75) Inventors: **Cheng-Hsin Sung**, Taipei (TW);
Chao-Yang Lin, Taipei (TW)
- (73) Assignee: **Lite-On Technology Corporation**,
 Taipei (TW)
- (**) Term: **14 Years**
- (21) Appl. No.: **29/205,801**
- (22) Filed: **May 21, 2004**
- (51) **LOC (8) Cl.** **14-02**
- (52) **U.S. Cl.** **D14/434**
- (58) **Field of Classification Search** D14/434,
 D14/447, 432, 433, 385, 357; D13/199, 107,
 D13/108, 118; 361/600, 679, 683, 686; 200/6 R;
 206/701; 320/113-115
- See application file for complete search history.

- D460,971 S * 7/2002 Sica et al. D14/434
 D463,361 S * 9/2002 Ruohonen D13/108
 D465,532 S * 11/2002 Hussaini et al. D21/333
 6,483,698 B1 * 11/2002 Loh 361/686
 D468,685 S * 1/2003 Jacobs et al. D13/107
 D474,736 S * 5/2003 Sagawa D13/108
 D497,605 S * 10/2004 Esslinger et al. D14/147

* cited by examiner

Primary Examiner—Alan P. Douglas
Assistant Examiner—Susan Moon Lee
 (74) *Attorney, Agent, or Firm*—Birch, Stewart, Kolasch &
 Birch, LLP

(57) **CLAIM**

The ornamental design for a “dock station for a handheld data processing device,” as shown and described.

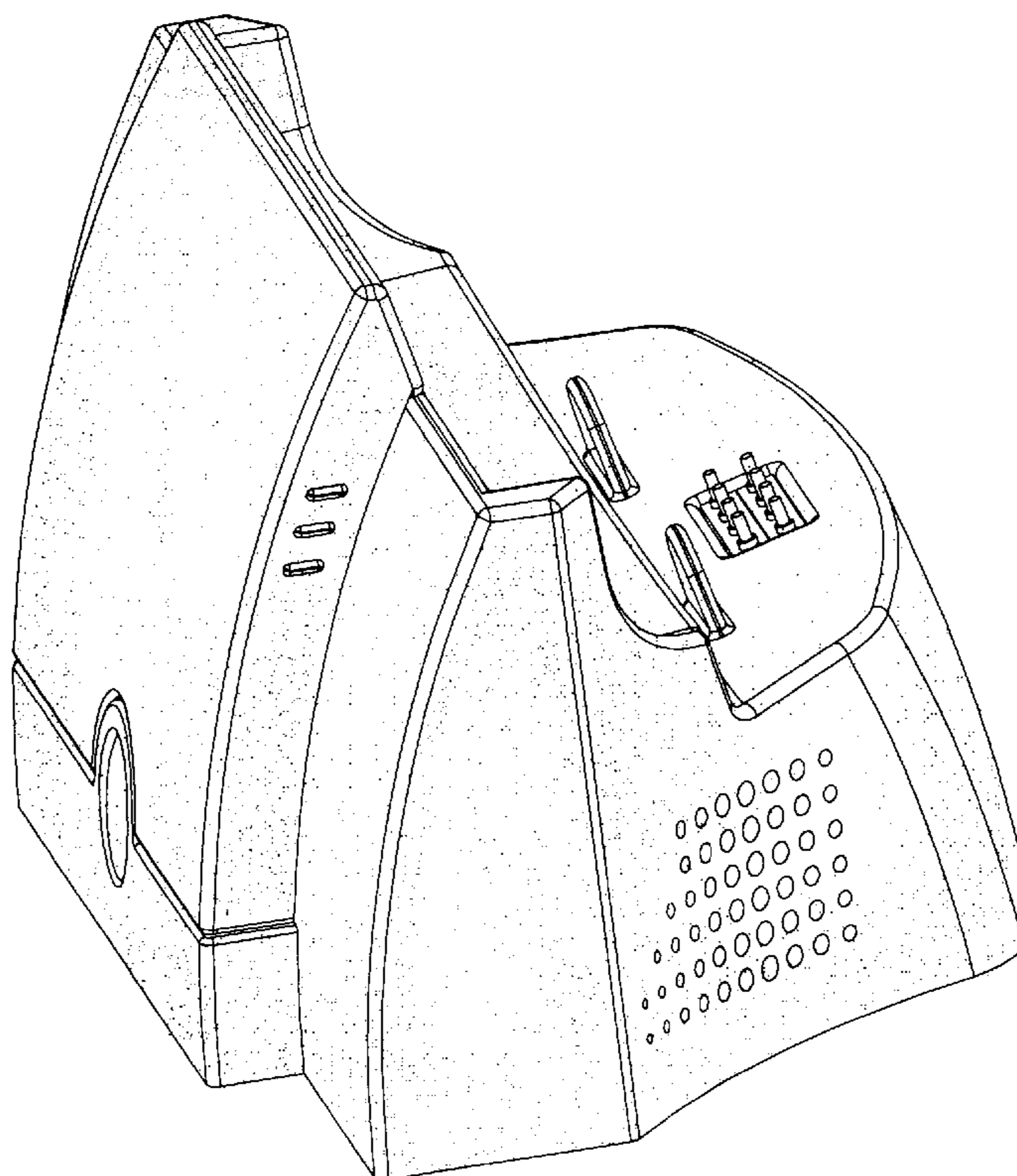
DESCRIPTION

FIG. 1 is a perspective view of a “dock station for a handheld data processing device” showing our new design;
 FIG. 2 is a front view thereof;
 FIG. 3 is a rear view thereof;
 FIG. 4 is a left side view thereof;
 FIG. 5 is a right side view thereof;
 FIG. 6 is a top view thereof; and
 FIG. 7 is a bottom view thereof; and,
 FIG. 8 is a perspective view viewed from another visual angle.

1 Claim, 5 Drawing Sheets

(56) **References Cited**
U.S. PATENT DOCUMENTS

- D411,824 S * 7/1999 Wilson et al. D13/108
 D412,162 S * 7/1999 Tal et al. D14/447
 D420,989 S * 2/2000 Sandhu et al. D14/447
 D427,981 S * 7/2000 Inukai D14/453
 6,185,094 B1 * 2/2001 Ruch et al. 361/686
 D439,908 S * 4/2001 Gozani D14/434
 6,246,577 B1 * 6/2001 Han et al. 361/686
 D458,266 S * 6/2002 Herath D14/434



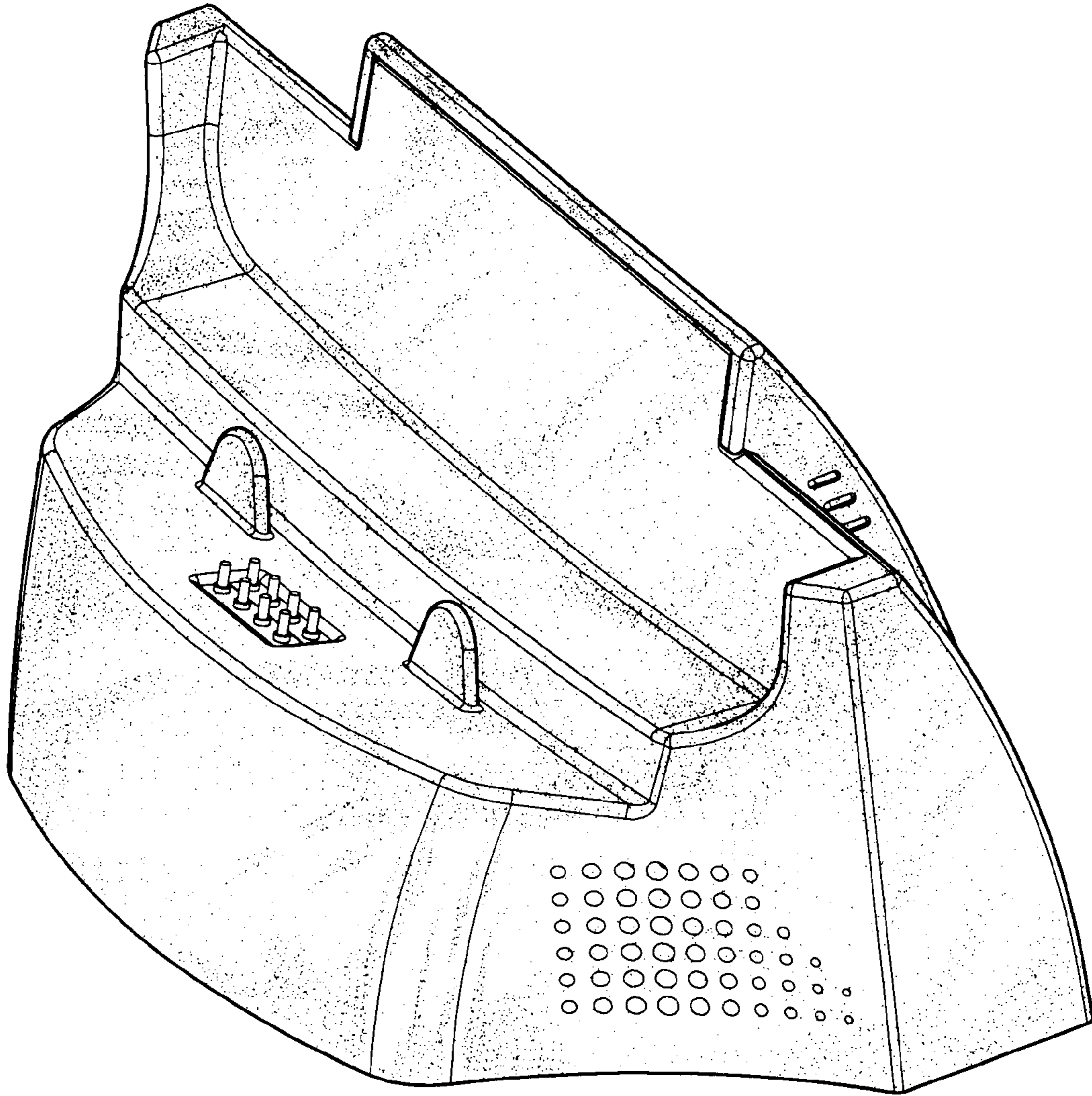


FIG. 1

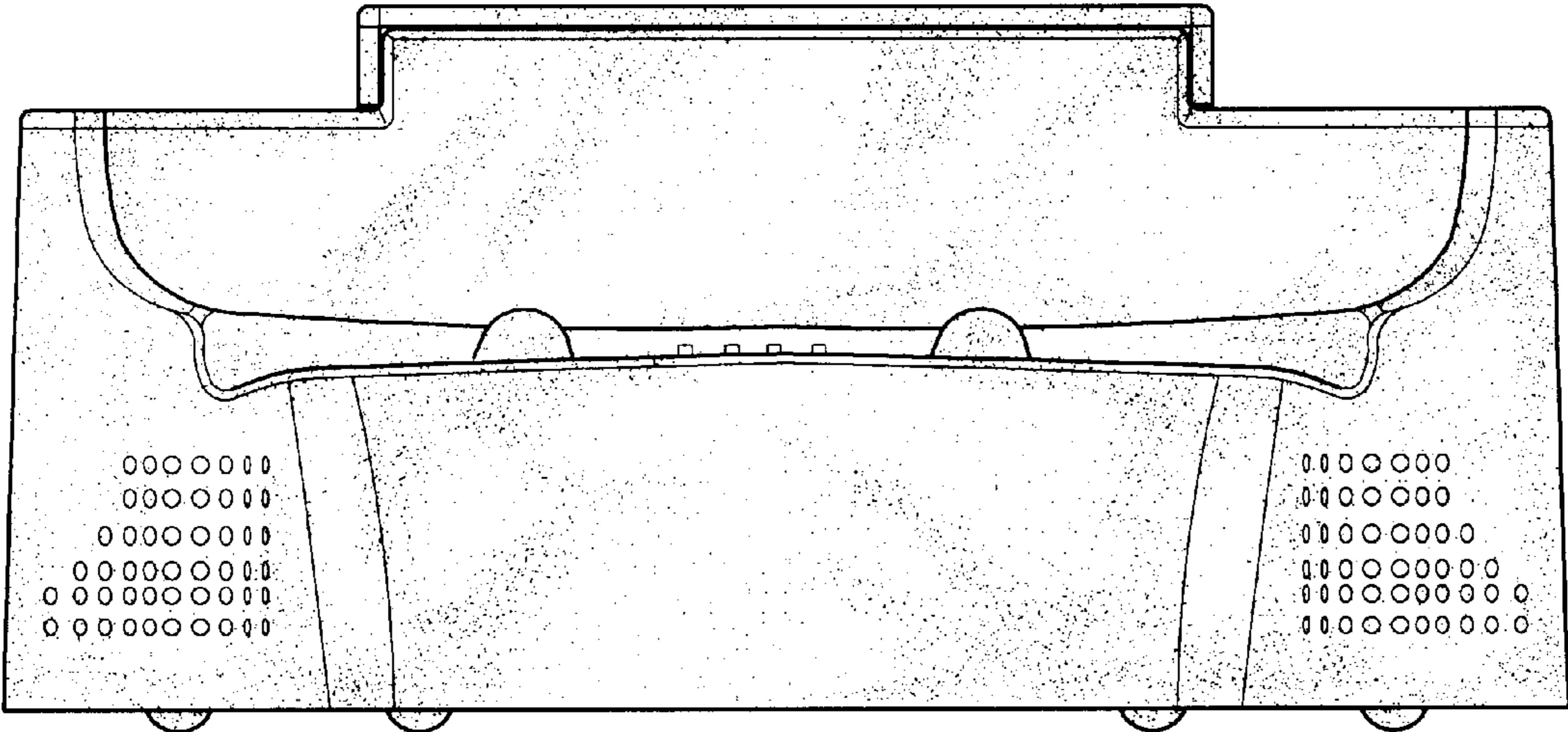


FIG. 2

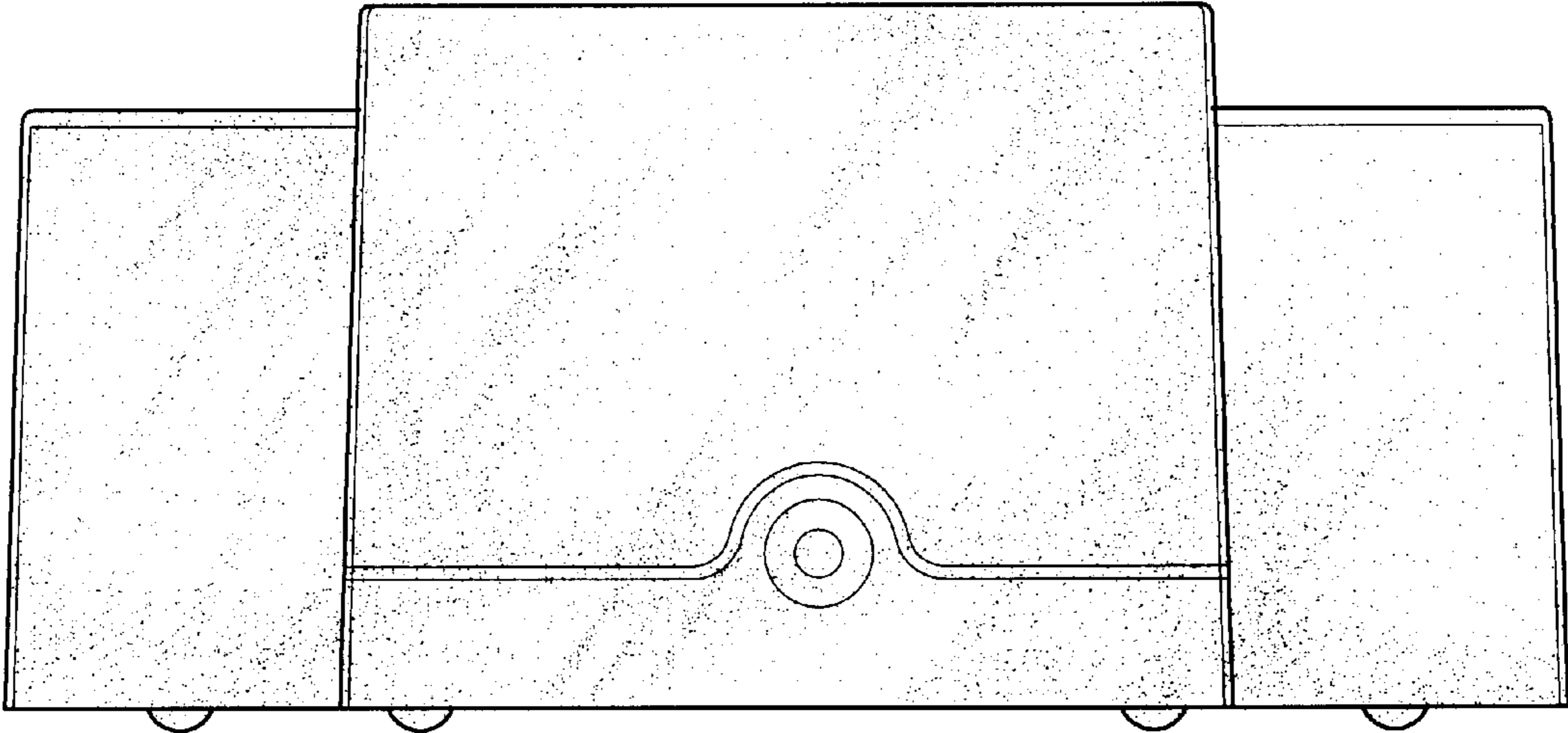


FIG. 3

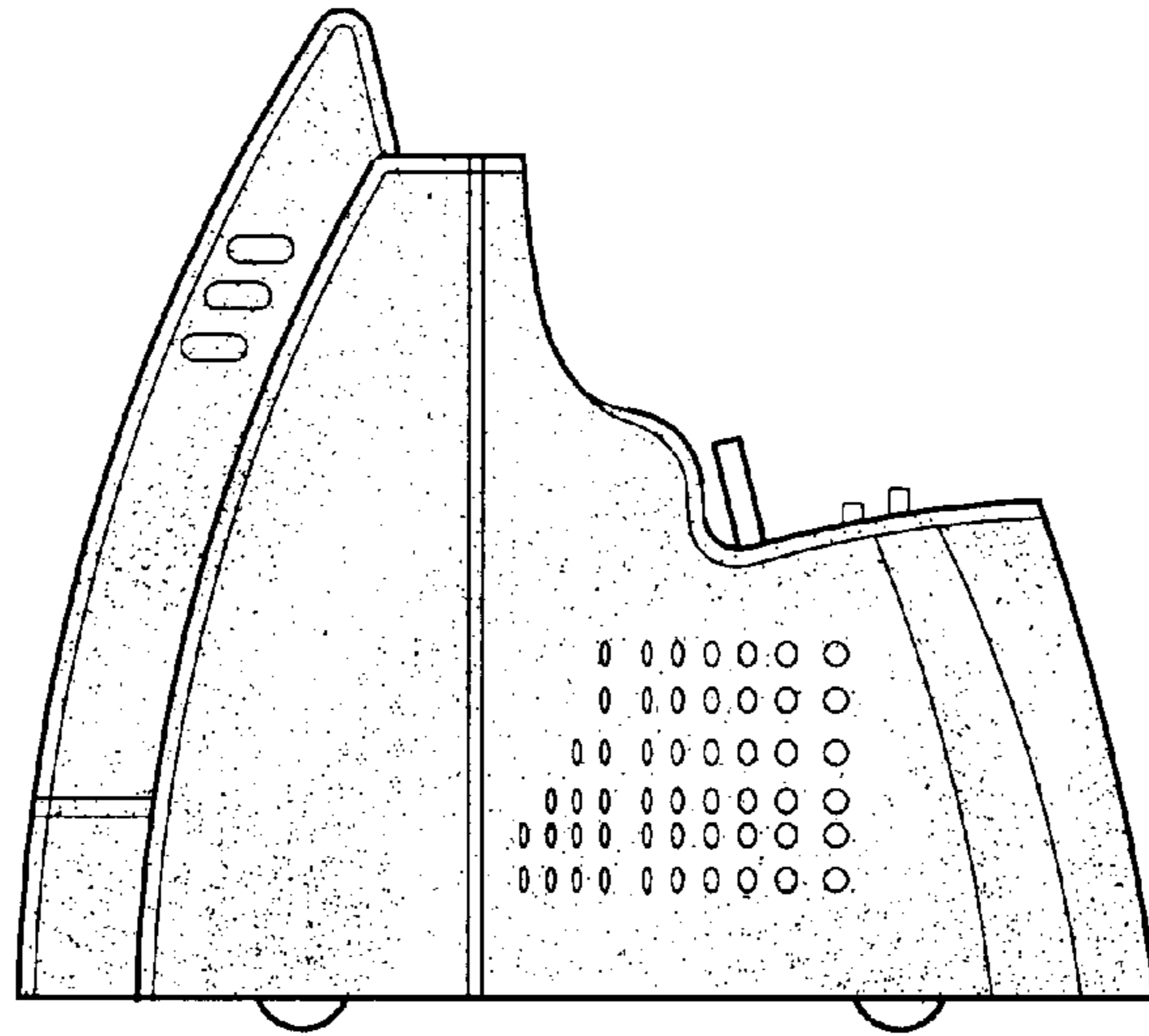


FIG. 4

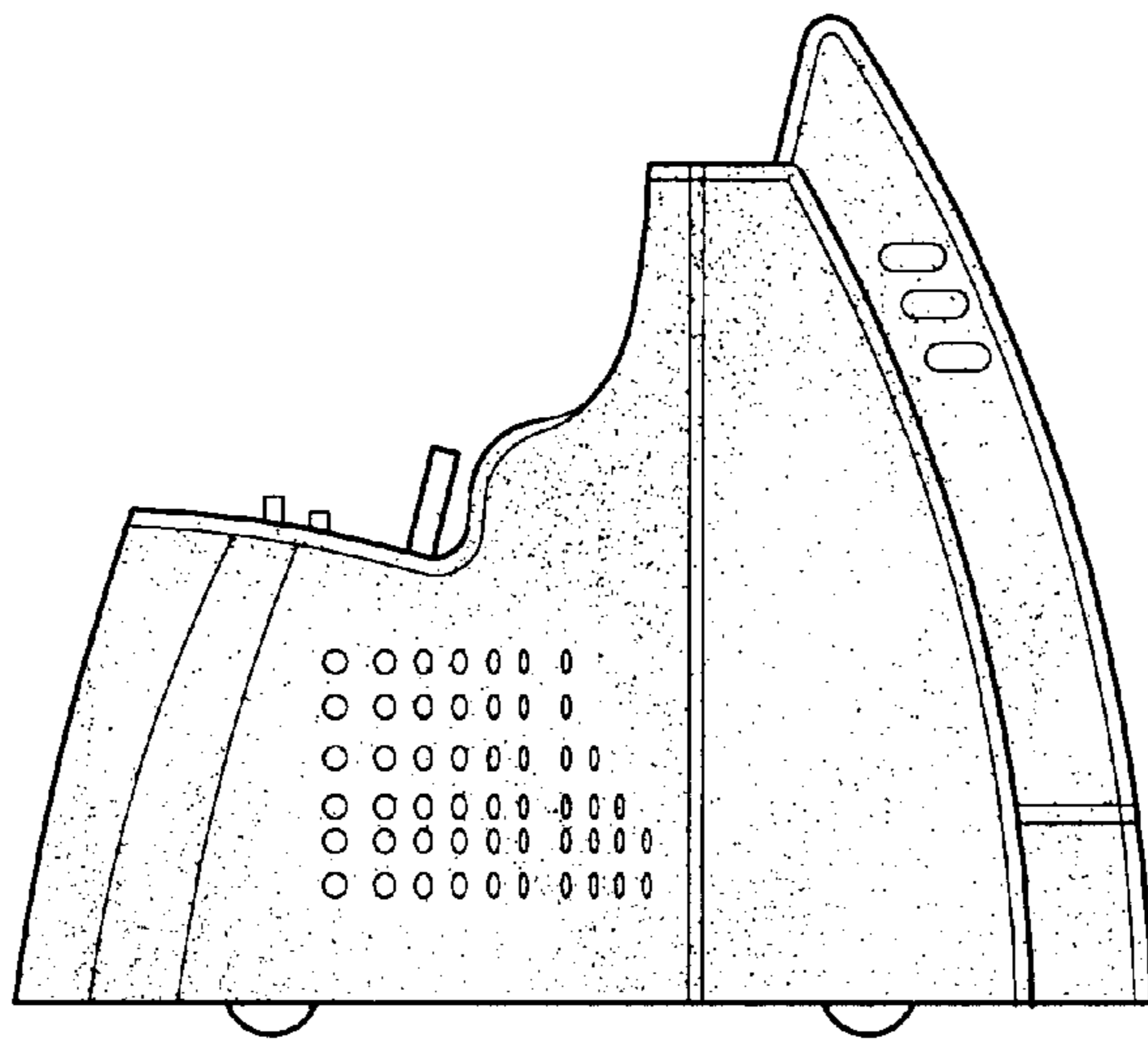


FIG. 5

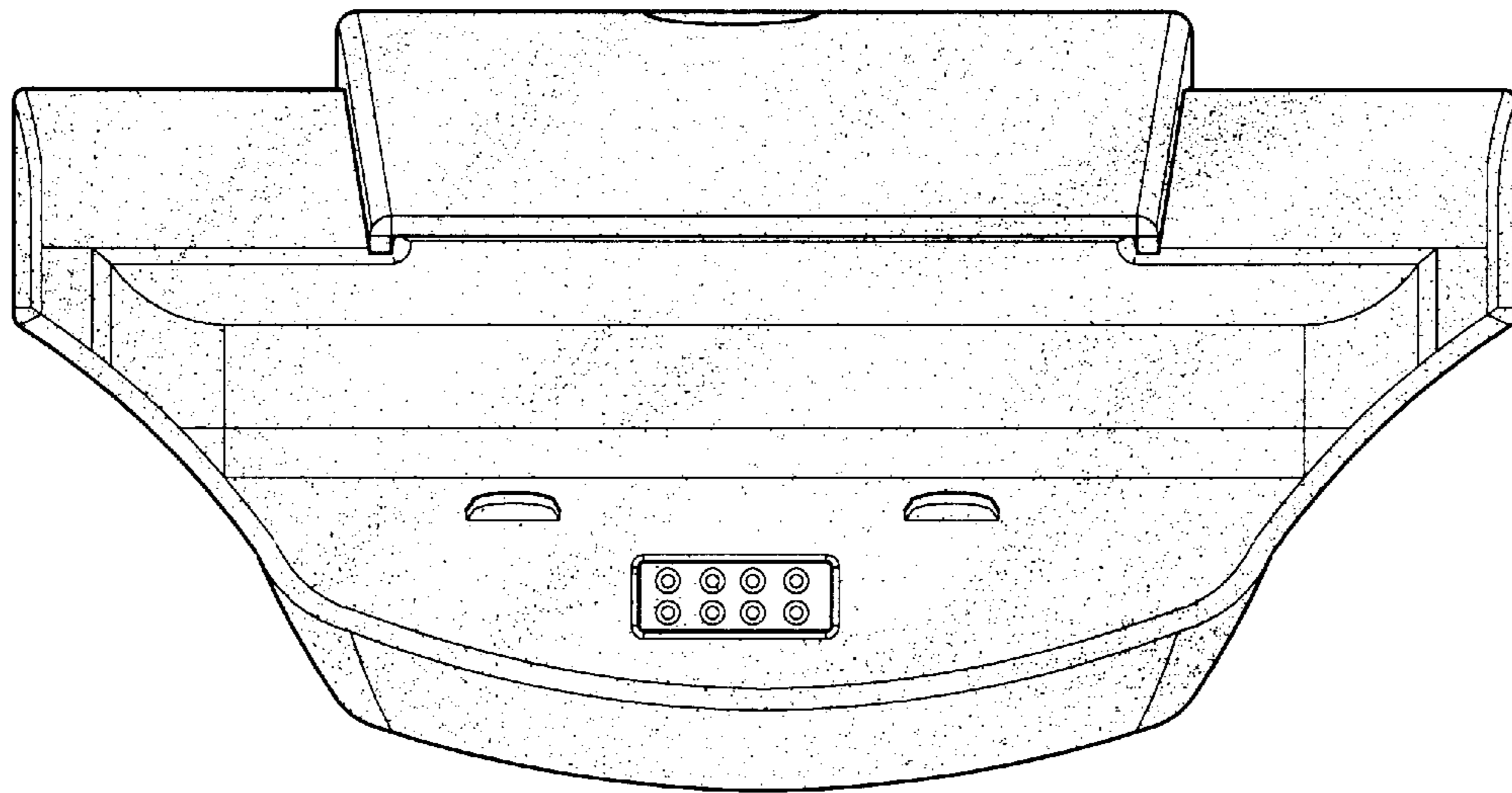


FIG. 6

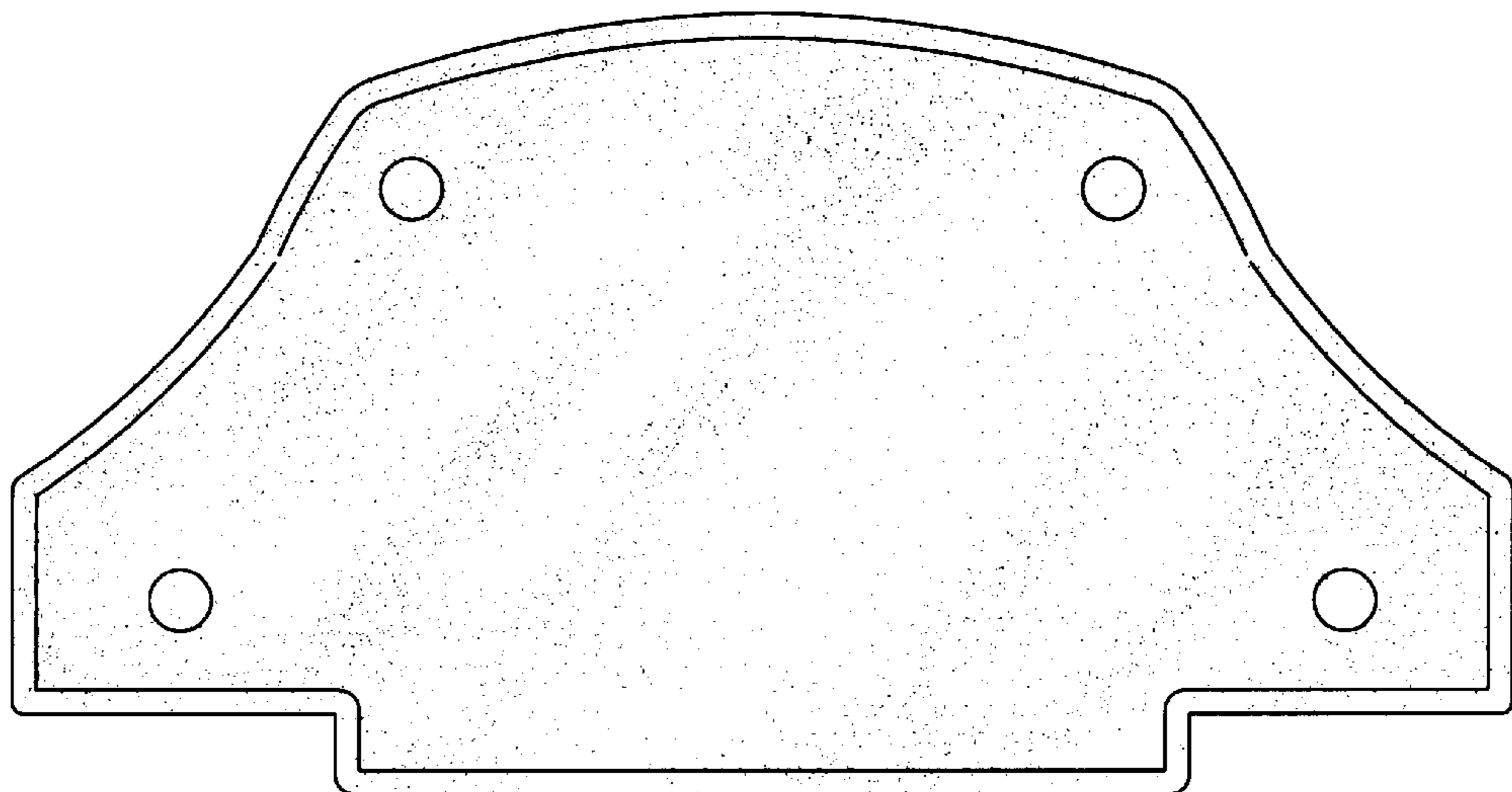


FIG. 7

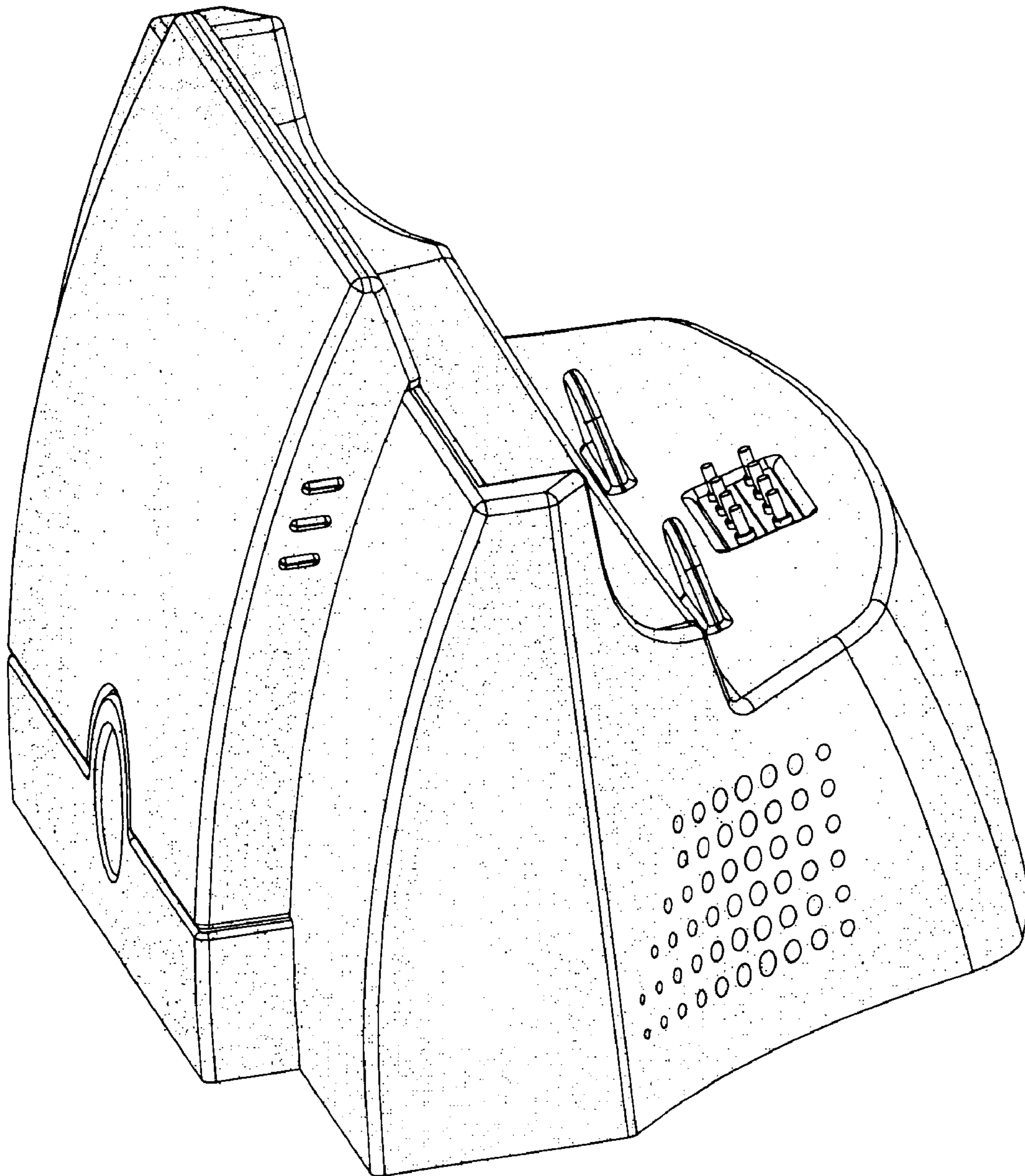


FIG. 8