



US00D514575S

(12) **United States Design Patent**  
**Sugitani et al.**

(10) **Patent No.:** **US D514,575 S**

(45) **Date of Patent:** **\*\* Feb. 7, 2006**

(54) **IMAGE READER FOR A COMPUTER**

(75) Inventors: **Minoru Sugitani**, Kahoku-gun (JP);  
**Takeshi Chujou**, Kahoku-gun (JP);  
**Shinichi Ohta**, Komatsu (JP); **Shuji**  
**Hashimoto**, Komatsu (JP)

(73) Assignee: **PFU Limited**, Ishikawa (JP)

(\*\*) Term: **14 Years**

(21) Appl. No.: **29/189,758**

(22) Filed: **Sep. 11, 2003**

(30) **Foreign Application Priority Data**

Aug. 7, 2003 (JP) ..... 2003-022949

(51) **LOC (8) Cl.** ..... **14-02**

(52) **U.S. Cl.** ..... **D14/422**

(58) **Field of Classification Search** ..... D14/421-425;  
D18/36-39, 55; 355/81, 75; 399/405, 367,  
399/379, 380; 358/497; 235/470, 462.43,  
235/482, 483

See application file for complete search history.

(56) **References Cited**

**U.S. PATENT DOCUMENTS**

- D197,540 S \* 2/1964 Knowles ..... D18/36
- D218,991 S \* 10/1970 Allport ..... D18/14
- 3,600,557 A \* 8/1971 Zappia ..... 235/470
- D234,627 S \* 3/1975 Vigna ..... D16/246
- 4,439,036 A \* 3/1984 Davis et al. .... 355/75
- D277,006 S \* 1/1985 Takahashi et al. .... D14/422
- D304,181 S \* 10/1989 Kagayama et al. .... D14/424
- D311,909 S \* 11/1990 Chen ..... D14/420
- D315,898 S \* 4/1991 Hokura et al. .... D14/422
- D341,617 S \* 11/1993 Patterson ..... D16/246
- 5,301,244 A \* 4/1994 Parulski ..... 382/319
- D350,769 S \* 9/1994 Hattori et al. .... D18/49
- D363,924 S \* 11/1995 Ueda et al. .... D14/422

- D366,652 S \* 1/1996 Ichinose ..... D14/422
- D368,256 S \* 3/1996 Stropkay et al. .... D14/420
- D371,120 S \* 6/1996 Kono et al. .... D14/425
- 5,564,686 A \* 10/1996 Horng ..... 271/4.01
- D380,204 S \* 6/1997 Kogoh et al. .... D14/425
- D383,449 S \* 9/1997 Iimura ..... D14/422
- D411,186 S \* 6/1999 Izaki ..... D14/421
- D412,520 S \* 8/1999 Krastel et al. .... D16/246
- D415,127 S \* 10/1999 Ueda ..... D14/425
- D433,439 S \* 11/2000 Yoshida et al. .... D18/36

\* cited by examiner

*Primary Examiner*—Stella Reid

*Assistant Examiner*—Susan Moon Lee

(74) *Attorney, Agent, or Firm*—Staas & Halsey LLP

(57) **CLAIM**

We claim the ornamental design for an image reader for a computer, as shown and described.

**DESCRIPTION**

FIG. 1 is a perspective view of an image reader for a computer showing our new design;  
 FIG. 2 is another perspective view of FIG. 1 with a draft cover opened for convenience of illustration;  
 FIG. 3 is another perspective view of FIG. 1 with the automatic document feeder moved to the left side for convenience of illustration.  
 FIG. 4 is another perspective view of FIG. 1 with the ADF rotated by 180 degrees for convenience of illustration;  
 FIG. 5 is another perspective view of FIG. 1 with a hopper and a stacker opened for convenience of illustration;  
 FIG. 6 is a front elevational view of FIG. 1;  
 FIG. 7 is a rear elevational view of FIG. 1;  
 FIG. 8 is a right side elevational view of FIG. 1;  
 FIG. 9 is a left side elevational view of FIG. 1;  
 FIG. 10 is a top plan view of FIG. 1; and,  
 FIG. 11 is a bottom plan view of FIG. 1.

**1 Claim, 11 Drawing Sheets**

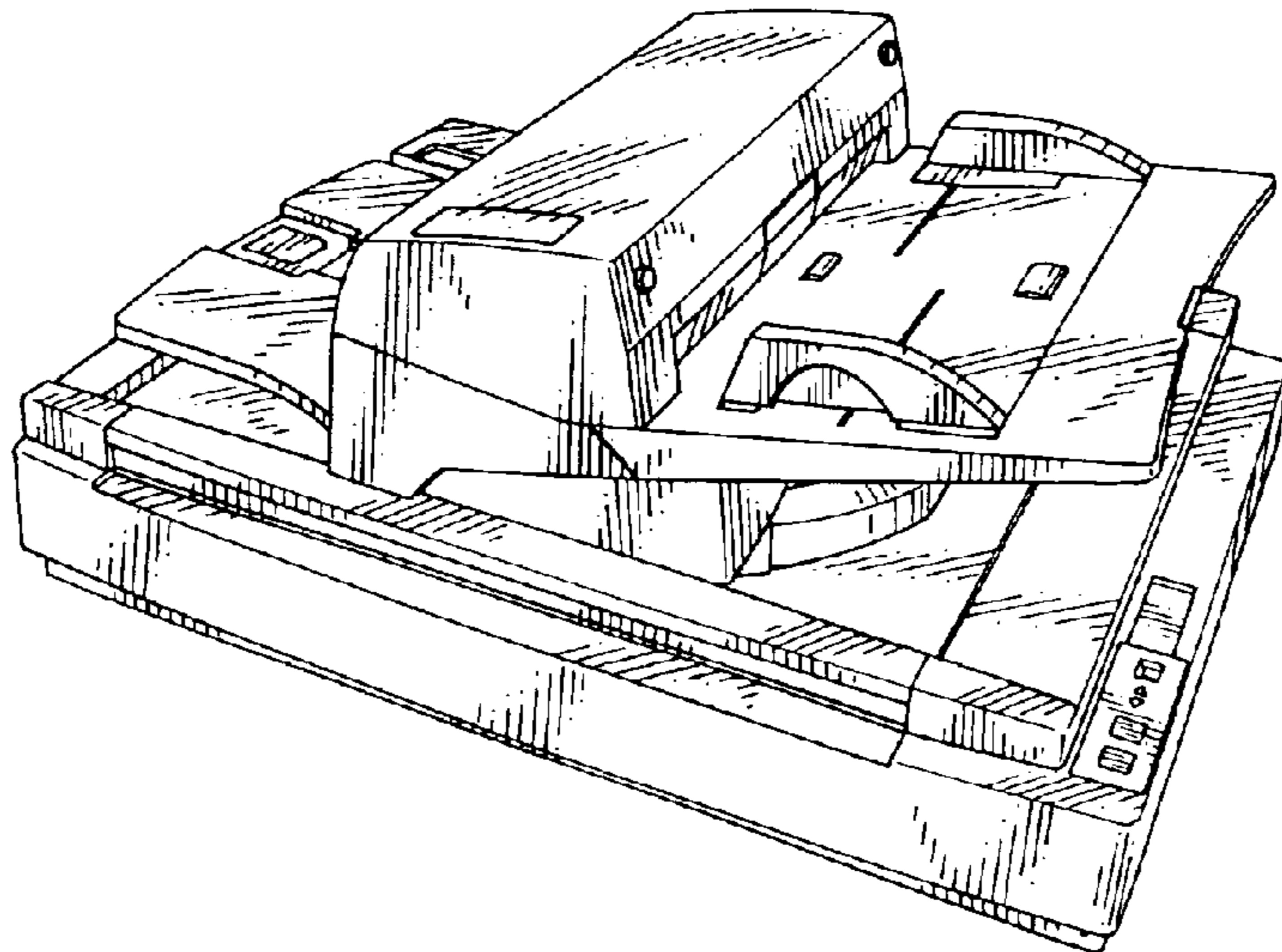


Fig.1

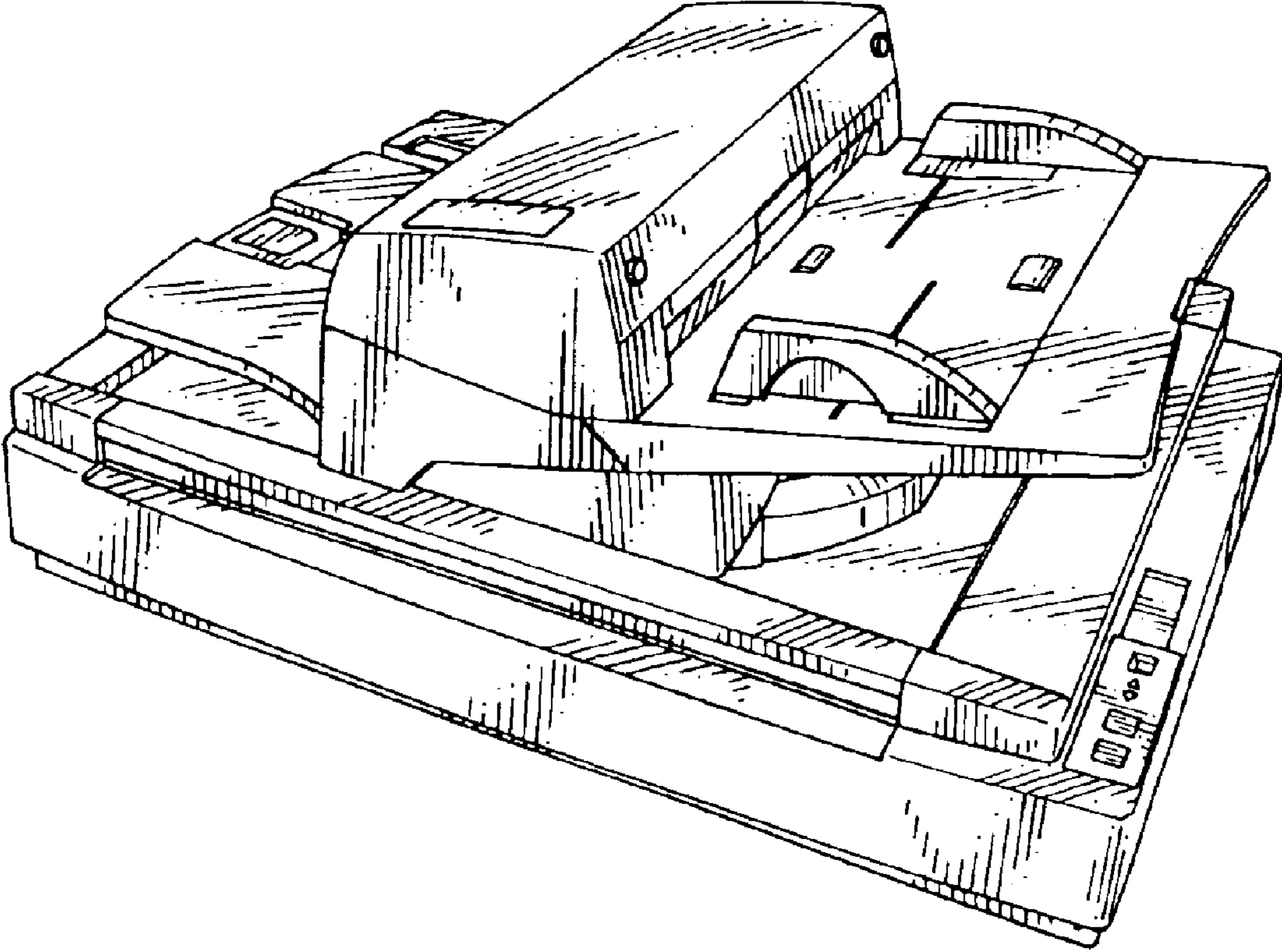


Fig.2

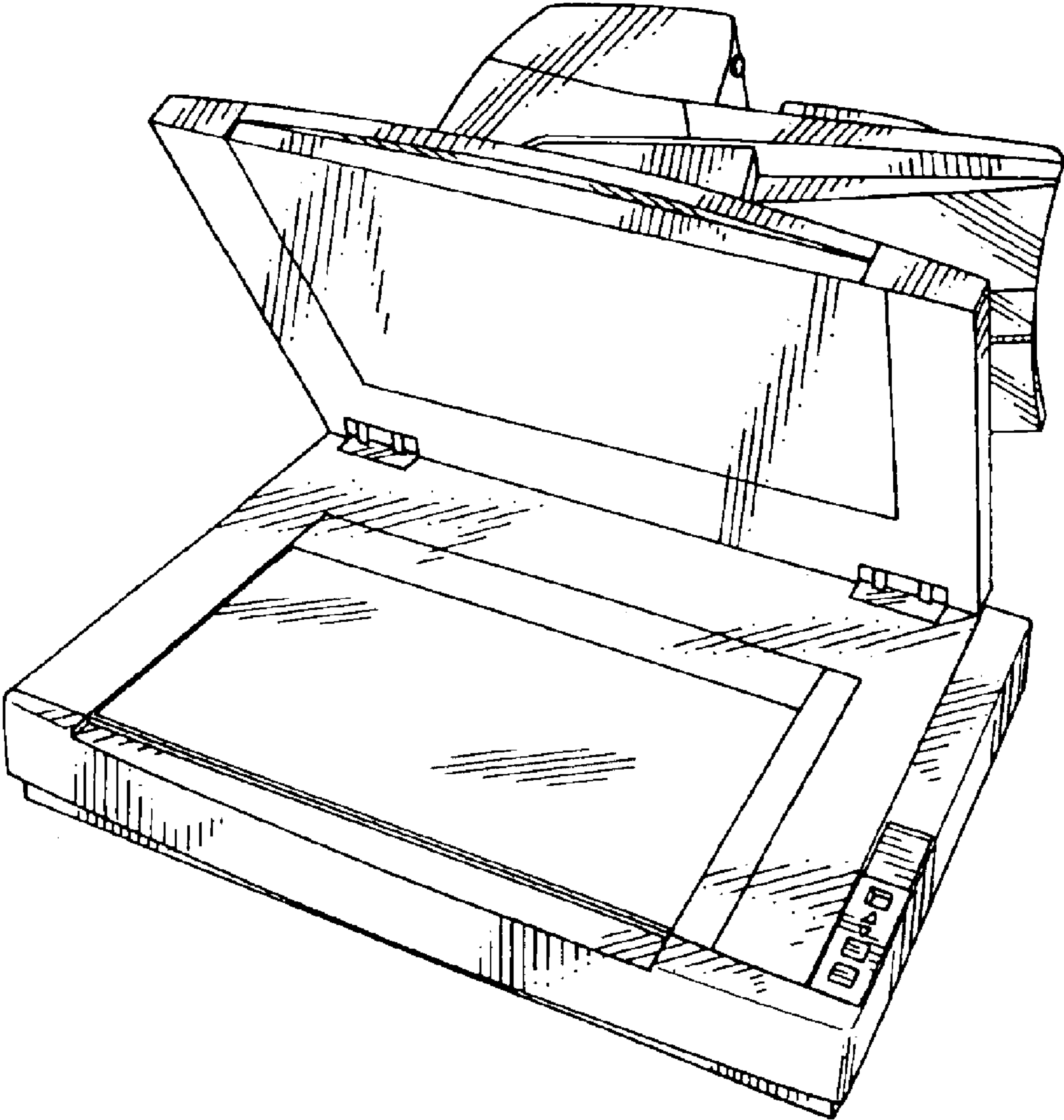


Fig.3

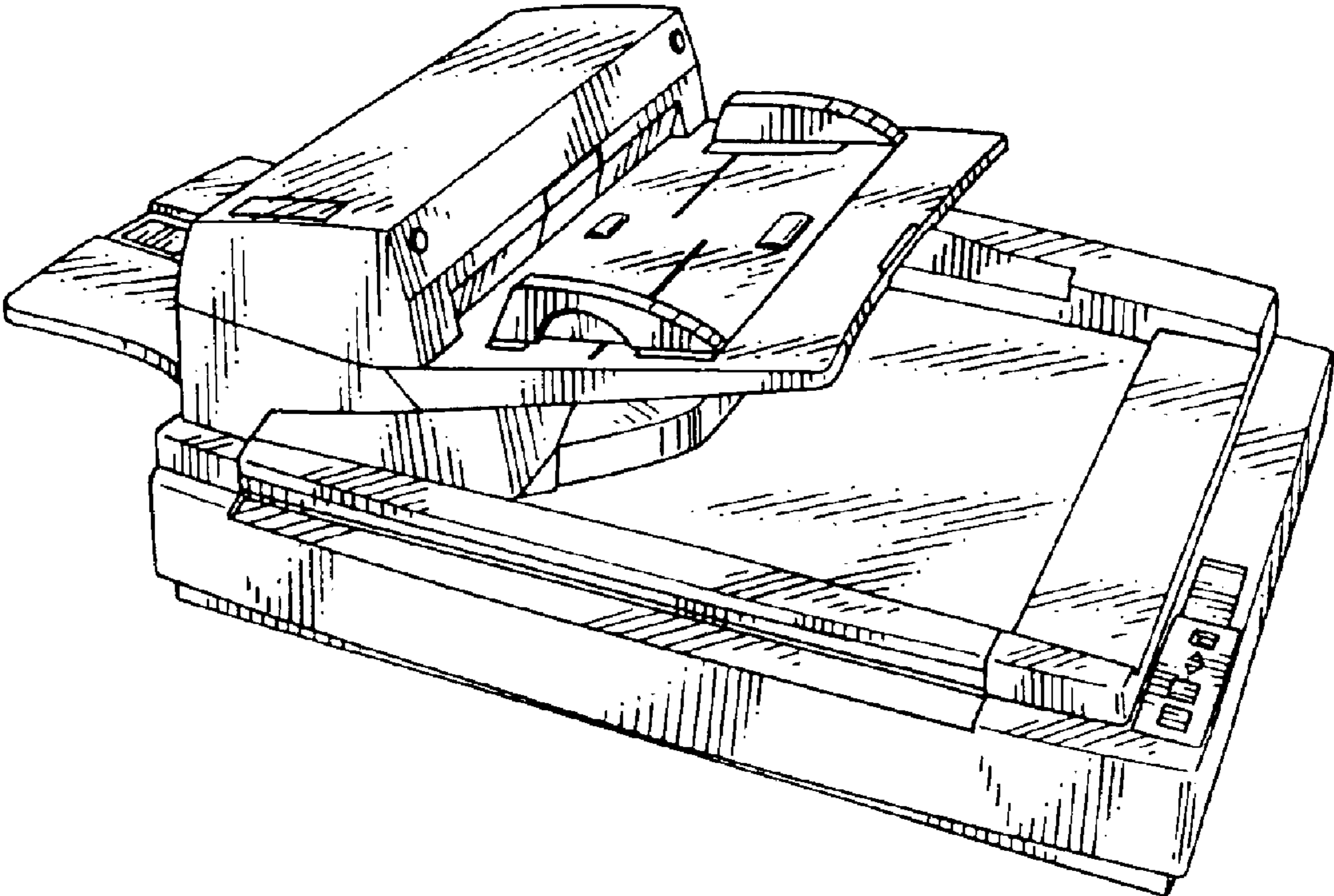


Fig.4

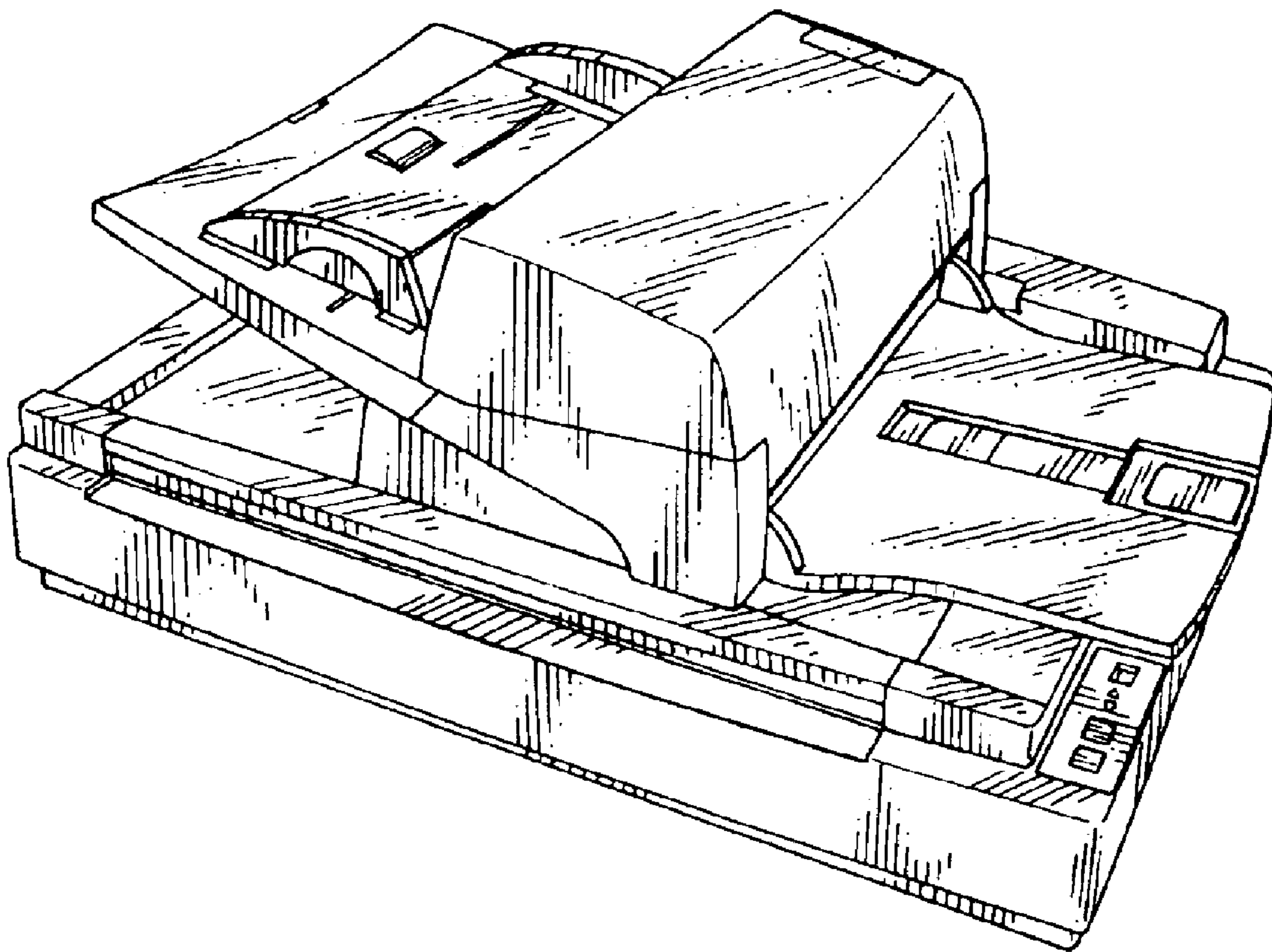


Fig.5

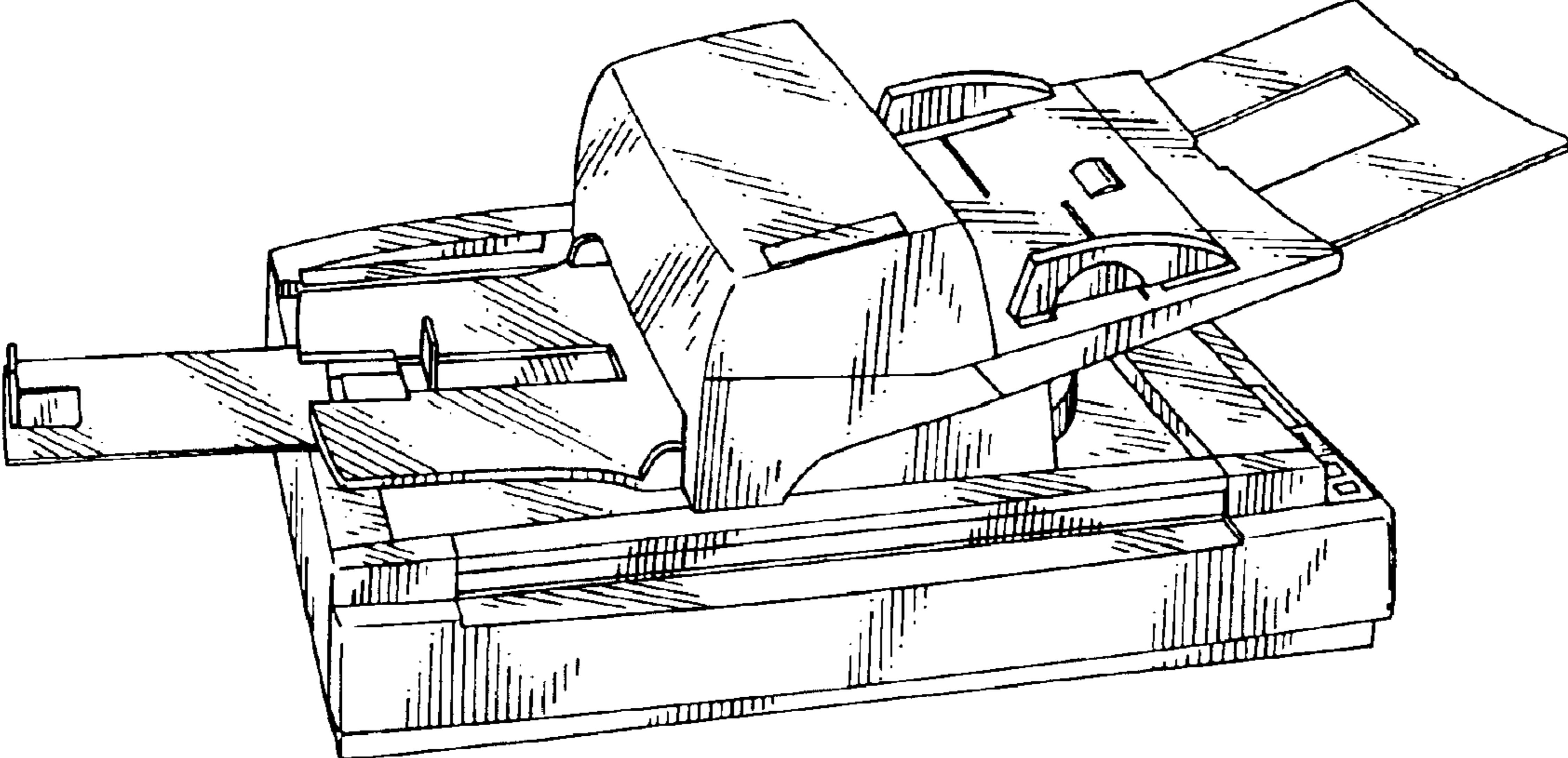


Fig.6

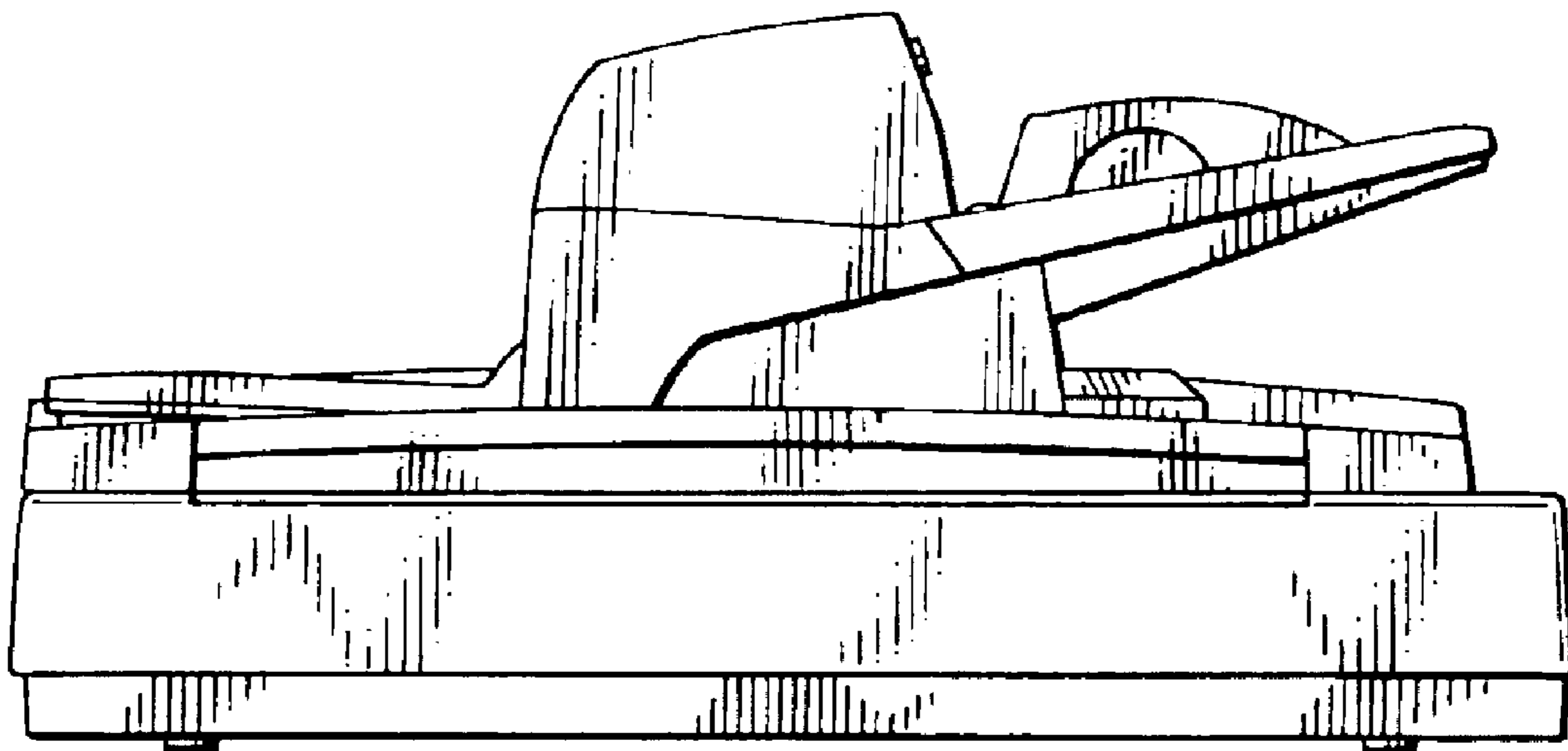


Fig.7

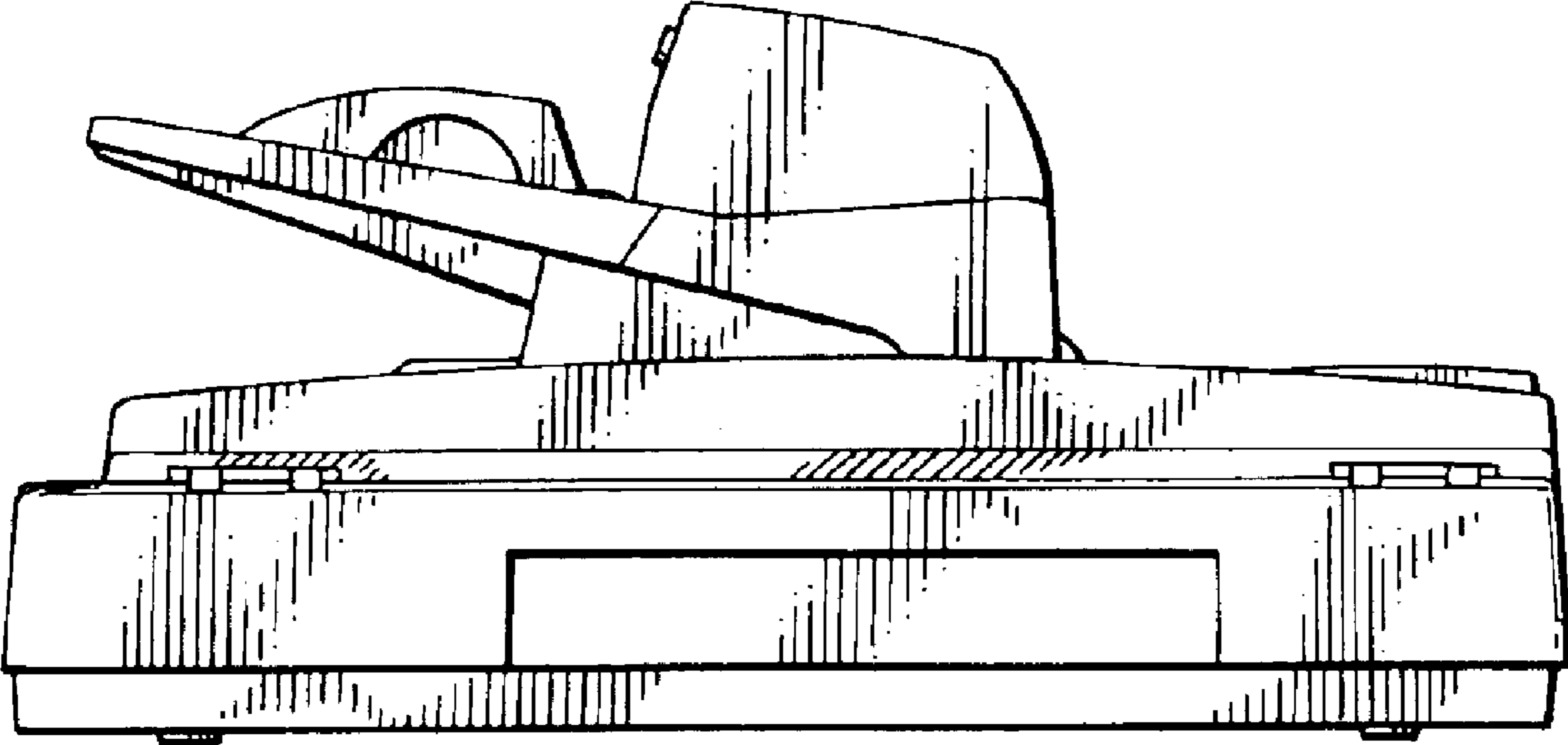




Fig. 8

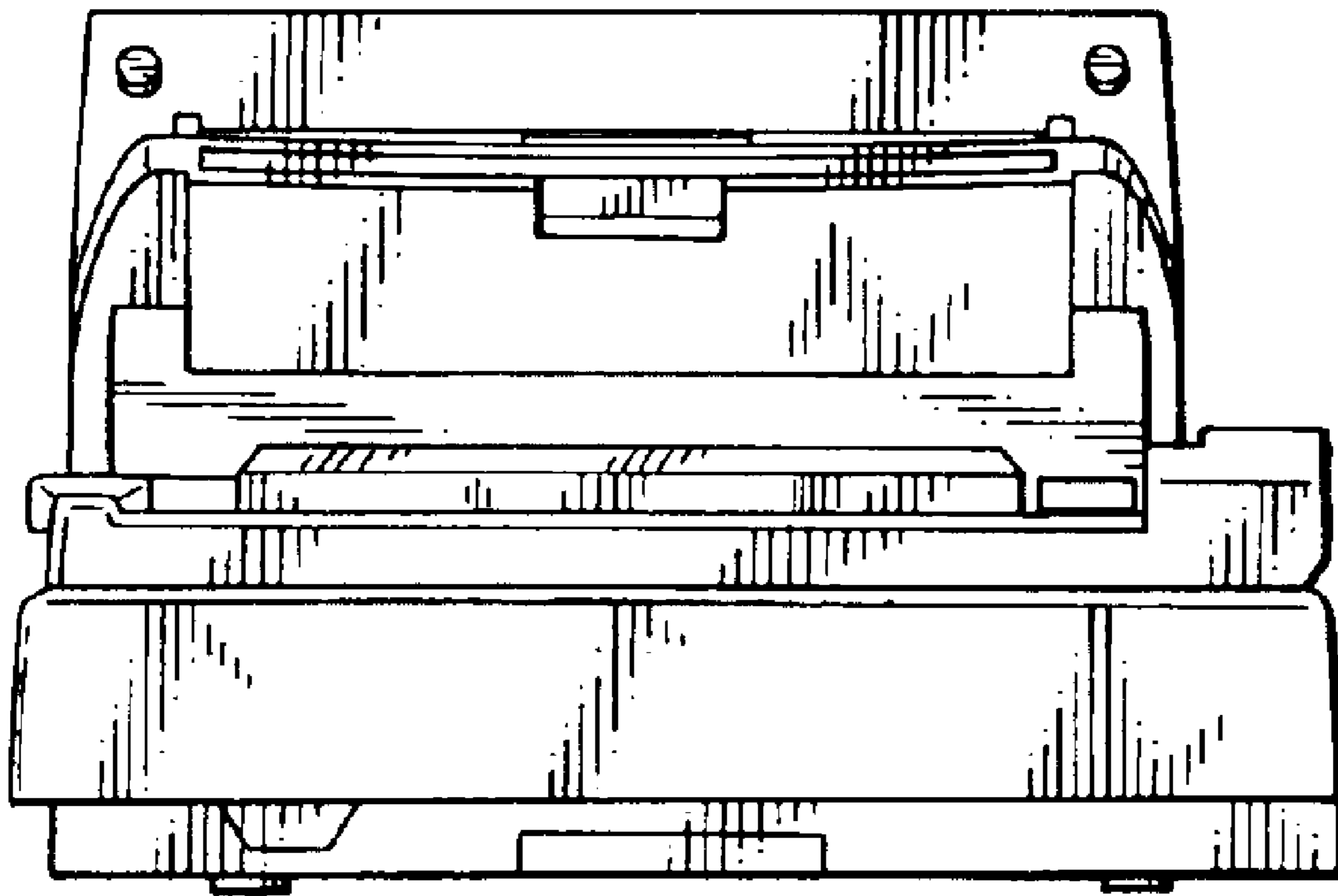


Fig.9

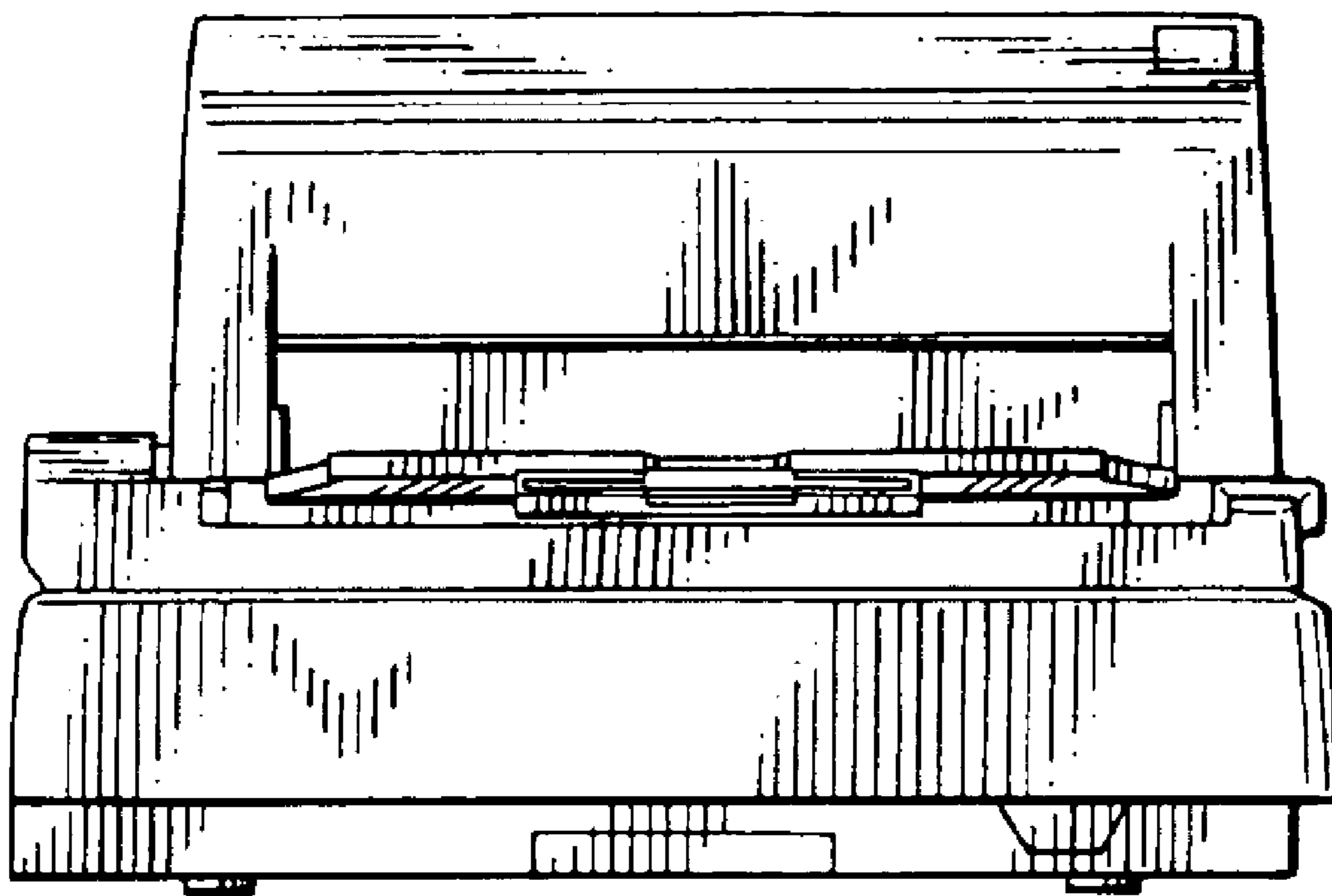


Fig.10

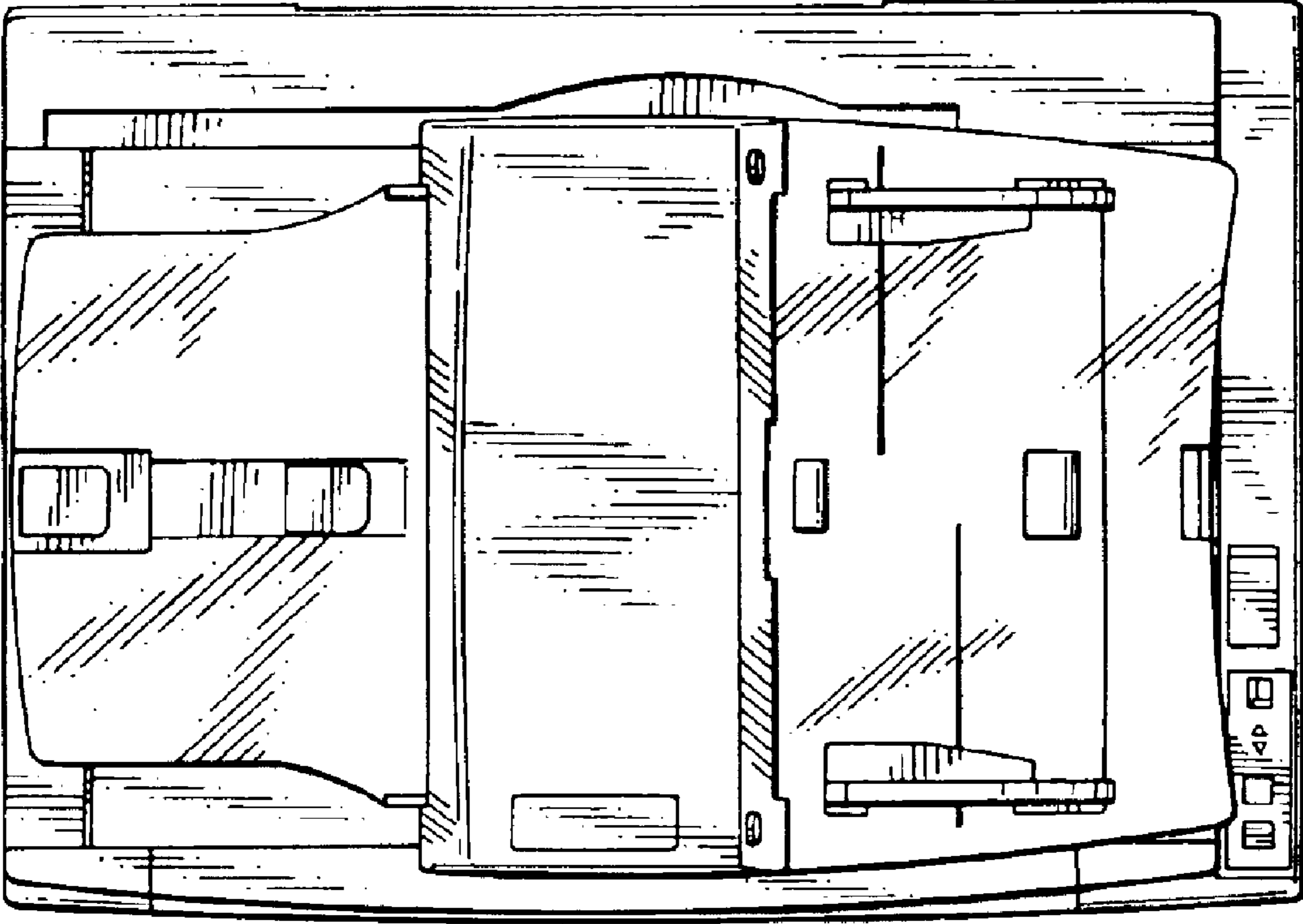


Fig.11

