



US00D514574S

(12) **United States Design Patent**  
**Yanagisawa et al.**

(10) **Patent No.:** **US D514,574 S**  
(45) **Date of Patent:** **\*\* Feb. 7, 2006**

(54) **IMAGE SCANNER**

(75) Inventors: **Kenji Yanagisawa**, Nagano-ken (JP);  
**Toshiaki Ooshima**, Nagano-ken (JP)

(73) Assignee: **Seiko Epson Corporation**, Tokyo (JP)

(\*\*) Term: **14 Years**

(21) Appl. No.: **29/187,227**

(22) Filed: **Jul. 30, 2003**

(30) **Foreign Application Priority Data**

Jan. 31, 2003 (JP) ..... 2003-002206

(51) **LOC (8) Cl.** ..... **14-02**

(52) **U.S. Cl.** ..... **D14/420**

(58) **Field of Classification Search** ..... D14/424,  
D14/420, 425, 389; 235/462.11, 462.41,  
235/472.01, 470, 462.43; 358/497, 474, 494,  
358/473; 361/680, 681; 399/379, 380, 211,  
399/212; 378/177, 187, 188; 382/321, 315  
See application file for complete search history.

(56) **References Cited**

**U.S. PATENT DOCUMENTS**

D284,475 S \* 7/1986 Manabe ..... D14/425  
D293,576 S \* 1/1988 Hara ..... D14/425

D295,750 S \* 5/1988 Imai ..... D14/422  
D357,907 S \* 5/1995 Kosako et al. .... D14/425  
D377,168 S \* 1/1997 Chen et al. .... D14/425  
D409,165 S \* 5/1999 Kobayashi et al. .... D14/424  
D413,584 S \* 9/1999 Wu et al. .... D14/425  
D456,412 S \* 4/2002 Khovaylo et al. .... D14/420  
D458,262 S \* 6/2002 Huang et al. .... D14/424  
2002/0036808 A1 \* 3/2002 Tohyama et al. .... 358/497  
2002/0181030 A1 \* 12/2002 Khovaylo et al. .... 358/494

\* cited by examiner

*Primary Examiner*—Alan P. Douglas

*Assistant Examiner*—Susan Moon Lee

(74) *Attorney, Agent, or Firm*—Sughrue Mion, PLLC

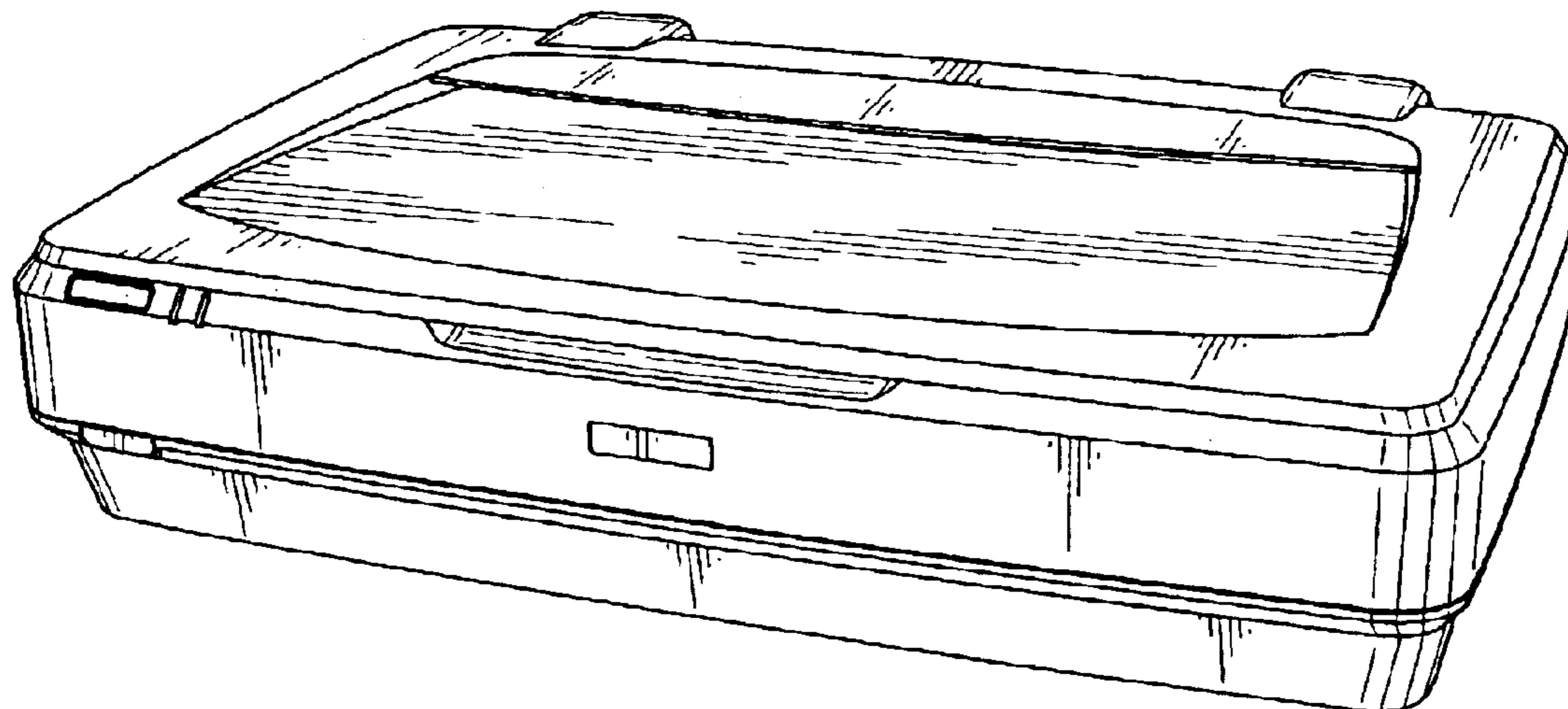
(57) **CLAIM**

The ornamental design for an image scanner, as shown.

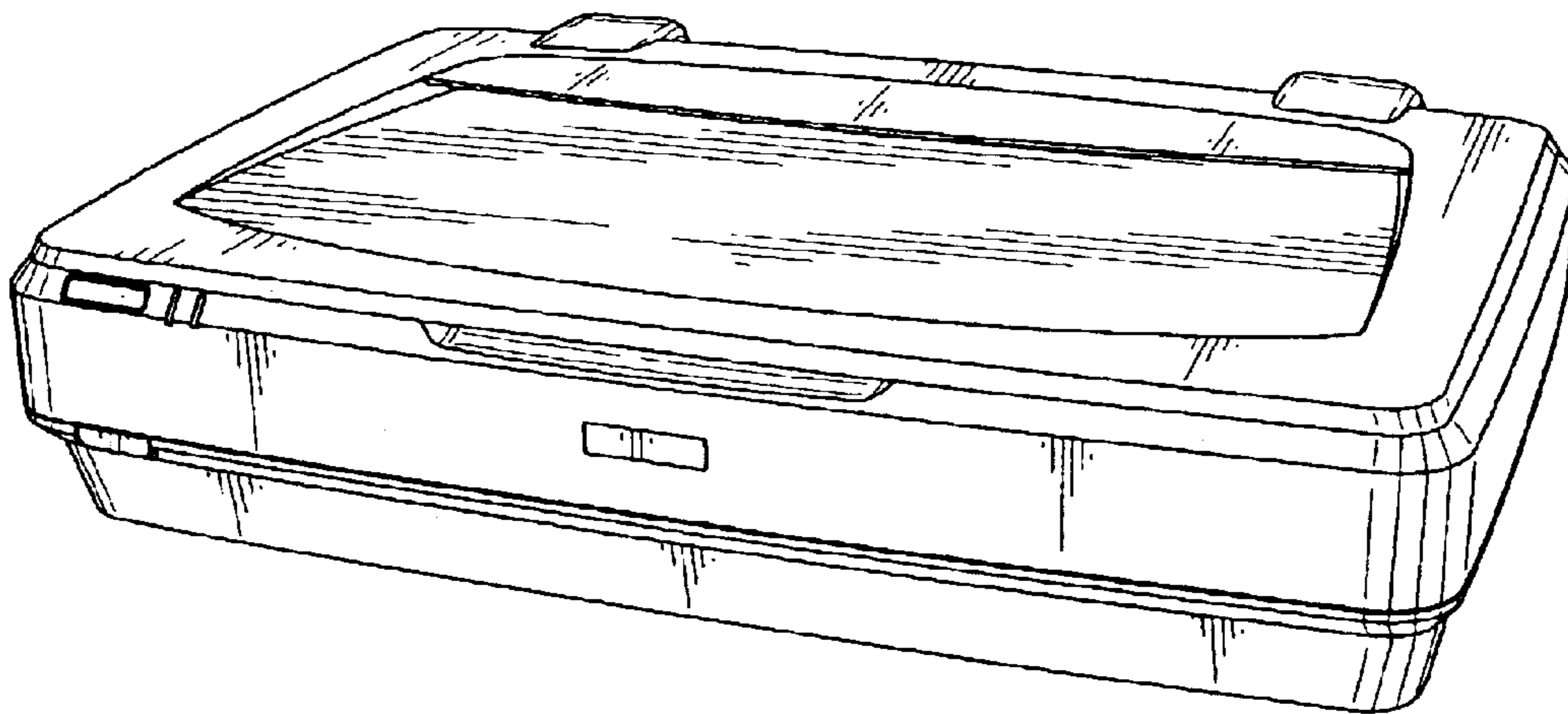
**DESCRIPTION**

FIG. 1 is a perspective view of the top, front and right side of an image scanner showing our new design; FIG. 2 is a front elevational view thereof; FIG. 3 is a rear elevational view thereof; FIG. 4 is a left side elevational view thereof; FIG. 5 is a right side elevational view thereof; FIG. 6 is a top plan view thereof; and, FIG. 7 is a bottom plan view thereof.

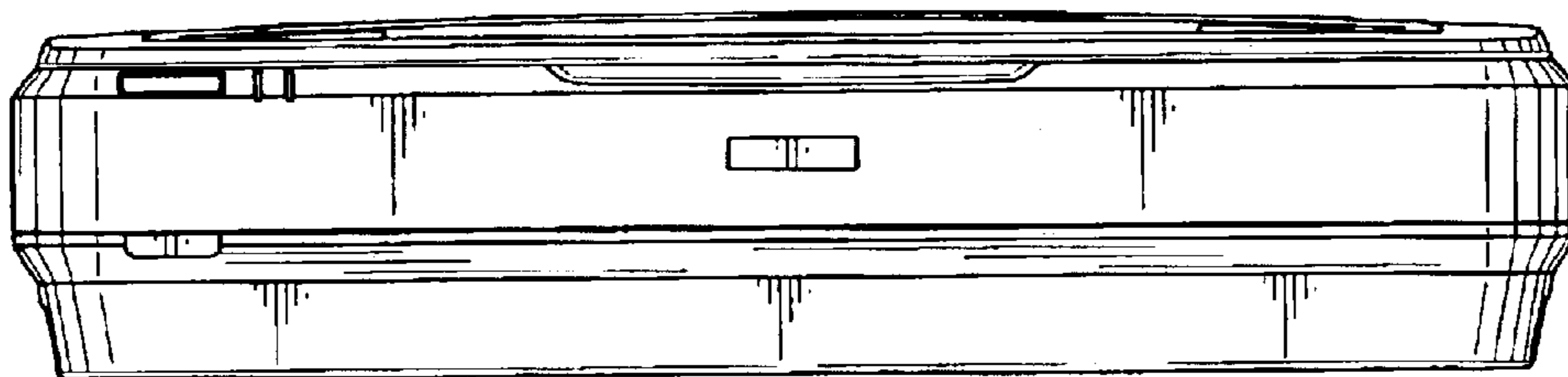
**1 Claim, 3 Drawing Sheets**



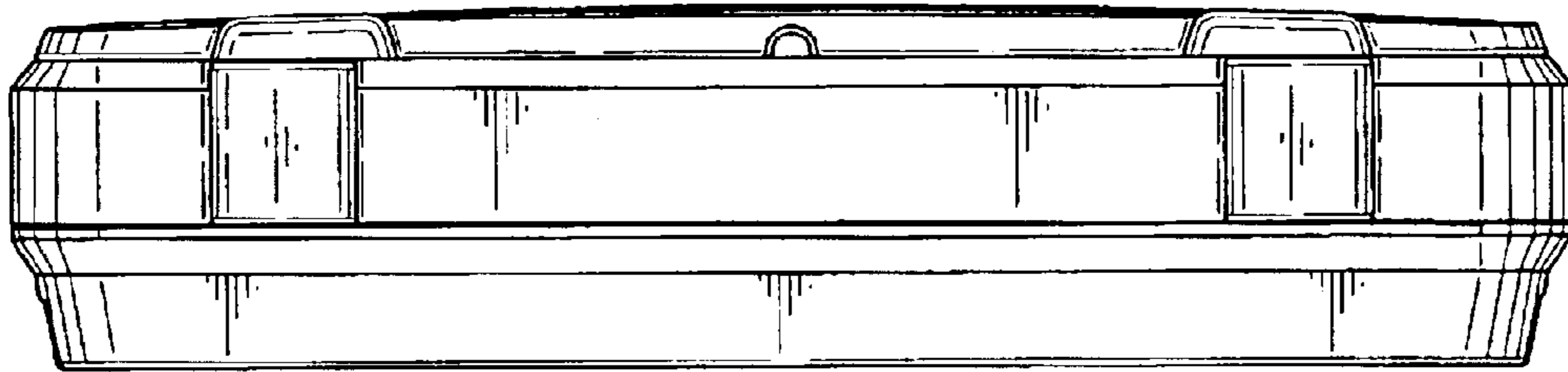
*FIG. 1*



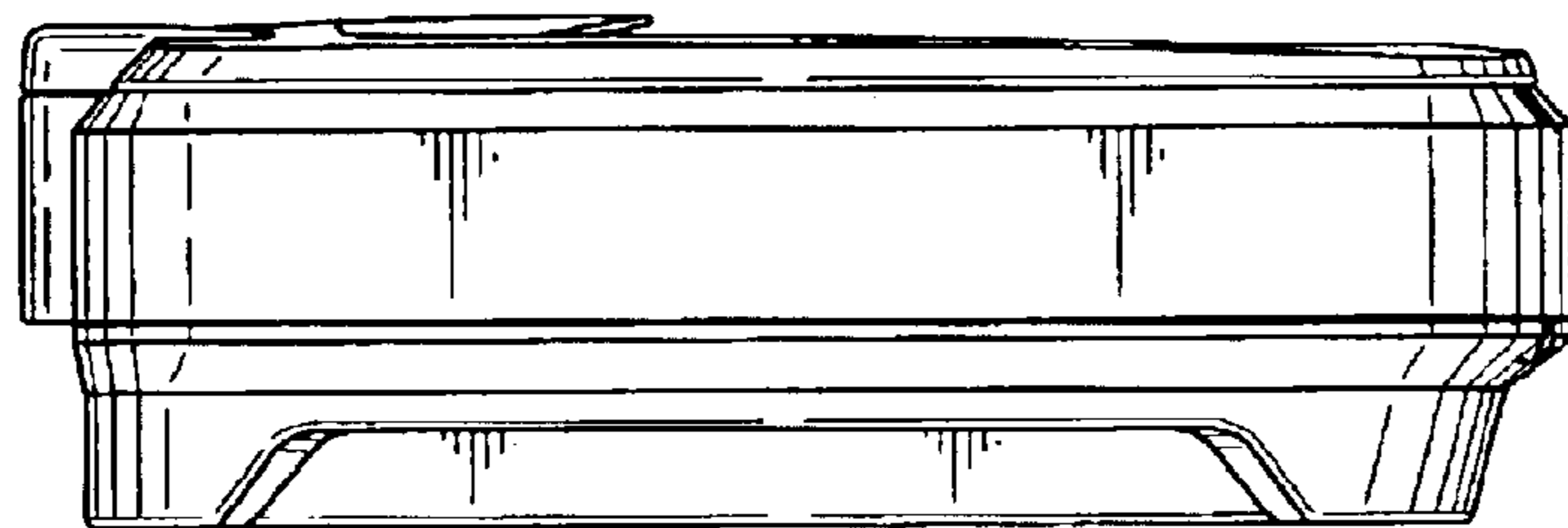
*FIG. 2*



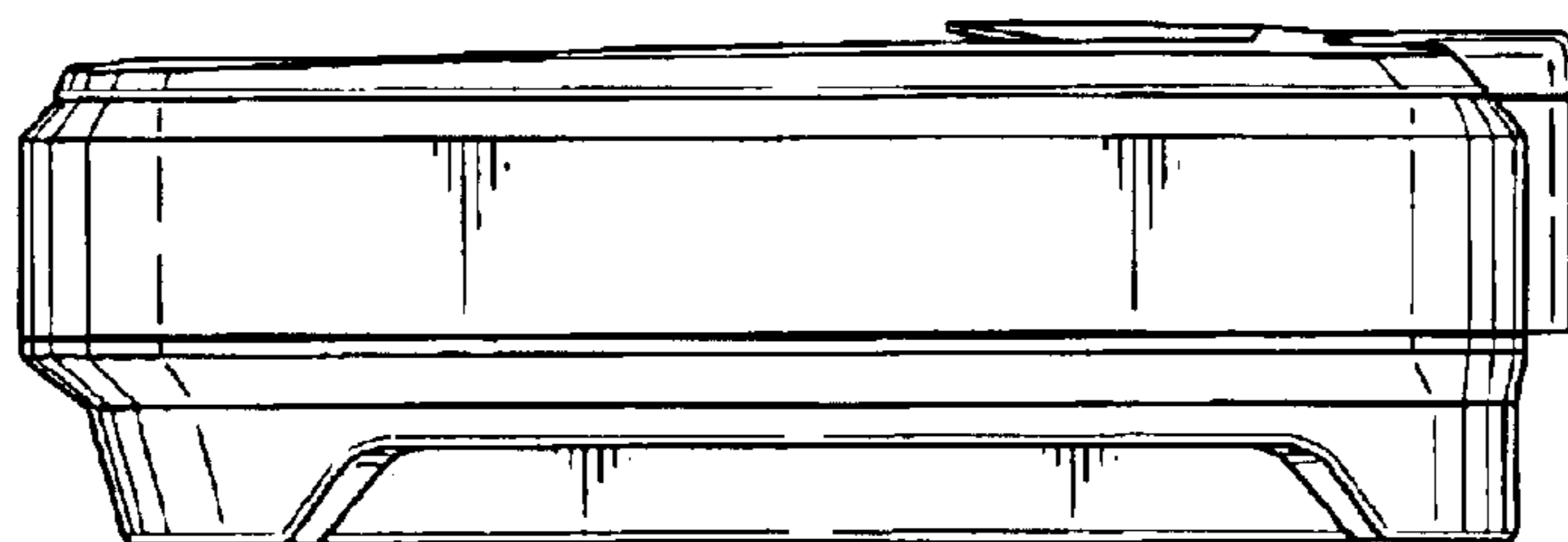
*FIG. 3*



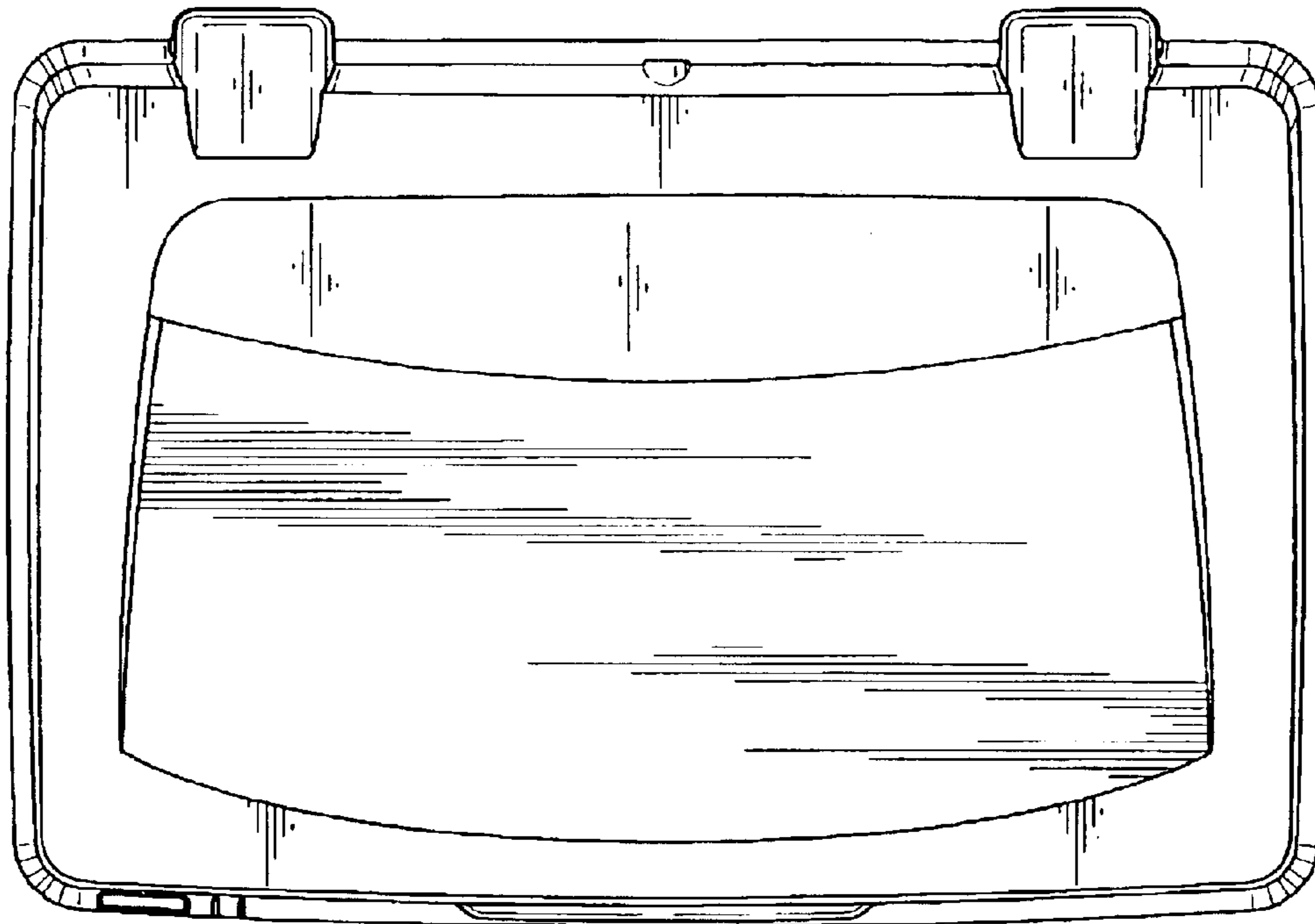
*FIG. 4*



*FIG. 5*



**FIG. 6**



**FIG. 7**

