



US00D514568S

(12) **United States Design Patent**
Huang et al.

(10) **Patent No.:** **US D514,568 S**
(45) **Date of Patent:** **** Feb. 7, 2006**

(54) **LIQUID CRYSTAL DISPLAY**

D458,256 S * 6/2002 Liu D14/375
D476,005 S * 6/2003 Peng et al. D14/375
D489,721 S * 5/2004 Peng et al. D14/371

(75) Inventors: **Che-Min Huang, Tu-Chen (TW);**
Fu-Min Wang, Tu-Chen (TW)

* cited by examiner

(73) Assignee: **Hon Hai Precision Ind. Co., Ltd.,**
Taipei Hsien (TW)

Primary Examiner—Freda S. Nunn
(74) *Attorney, Agent, or Firm*—Wei Te Chung

(**) Term: **14 Years**

(57) **CLAIM**

(21) Appl. No.: **29/213,295**

The ornamental design for a liquid crystal display, as shown.

(22) Filed: **Sep. 14, 2004**

(30) **Foreign Application Priority Data**

DESCRIPTION

Jul. 2, 2004 (CN) 200430043967

FIG. 1 is a perspective view of a liquid crystal display of our new design;

(51) **LOC (8) Cl.** **14-02**

FIG. 2 is a front elevational view thereof;

(52) **U.S. Cl.** **D14/375**

FIG. 3 is a rear elevational view thereof;

(58) **Field of Classification Search** D14/371-375,
D14/125-129; 345/104, 156, 168, 173, 901-905,
345/87; 341/12; 348/180, 184, 325, 739;
349/1, 2, 11, 62

FIG. 4 is a left side elevational view thereof;

See application file for complete search history.

FIG. 5 is a right side elevational view thereof;

FIG. 6 is a top plan view thereof; and,

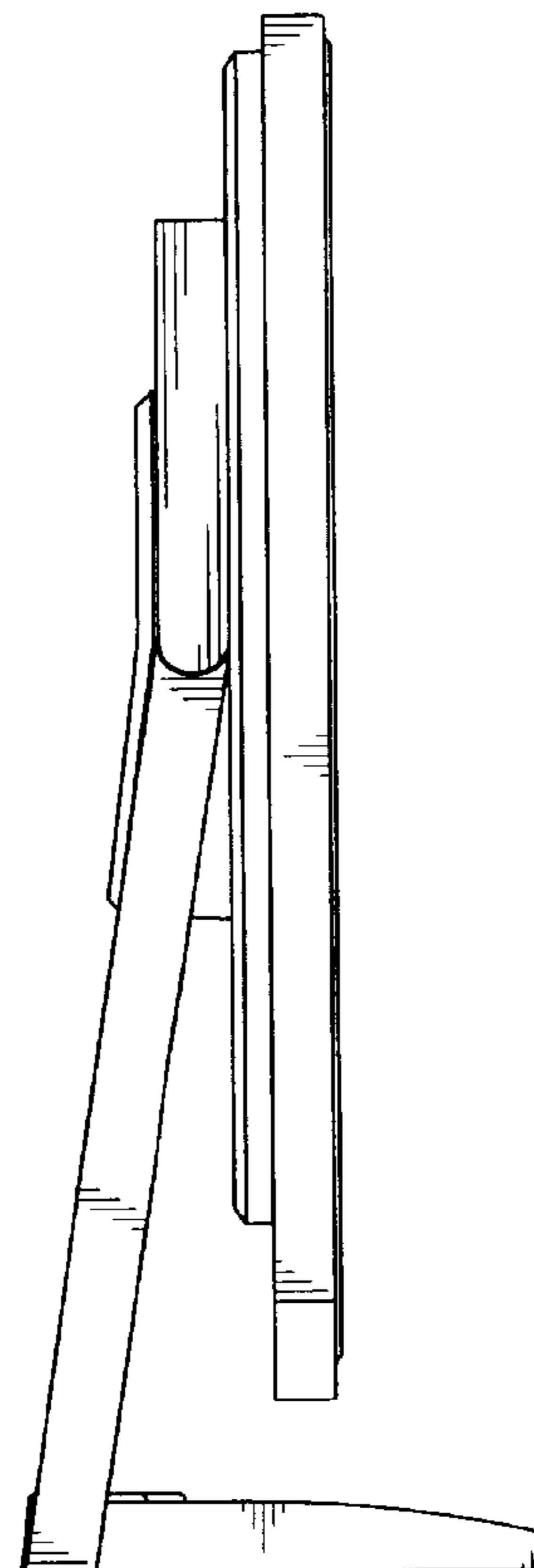
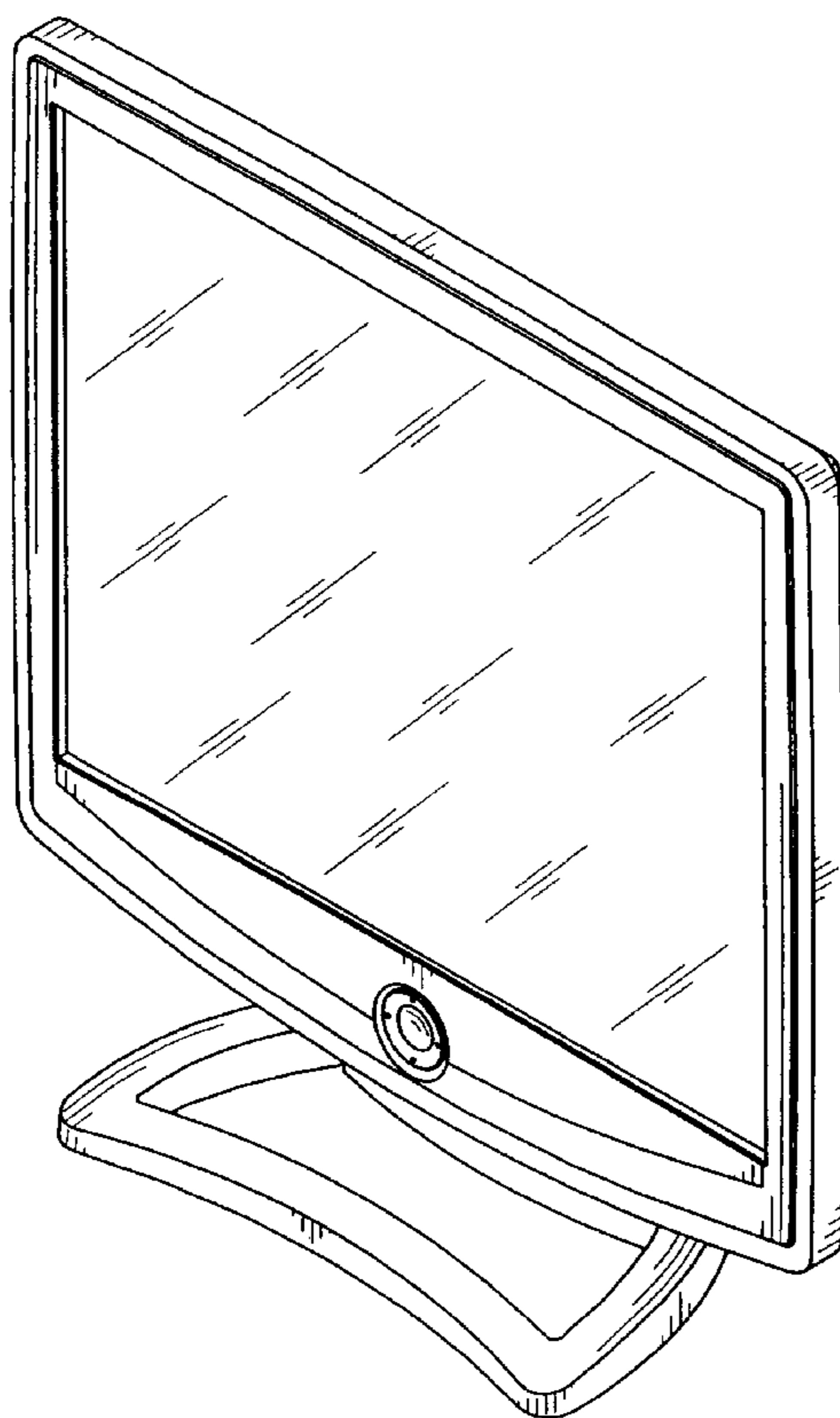
FIG. 7 is a bottom plan view thereof.

(56) **References Cited**

U.S. PATENT DOCUMENTS

D416,549 S * 11/1999 Coster et al. D14/375

1 Claim, 5 Drawing Sheets



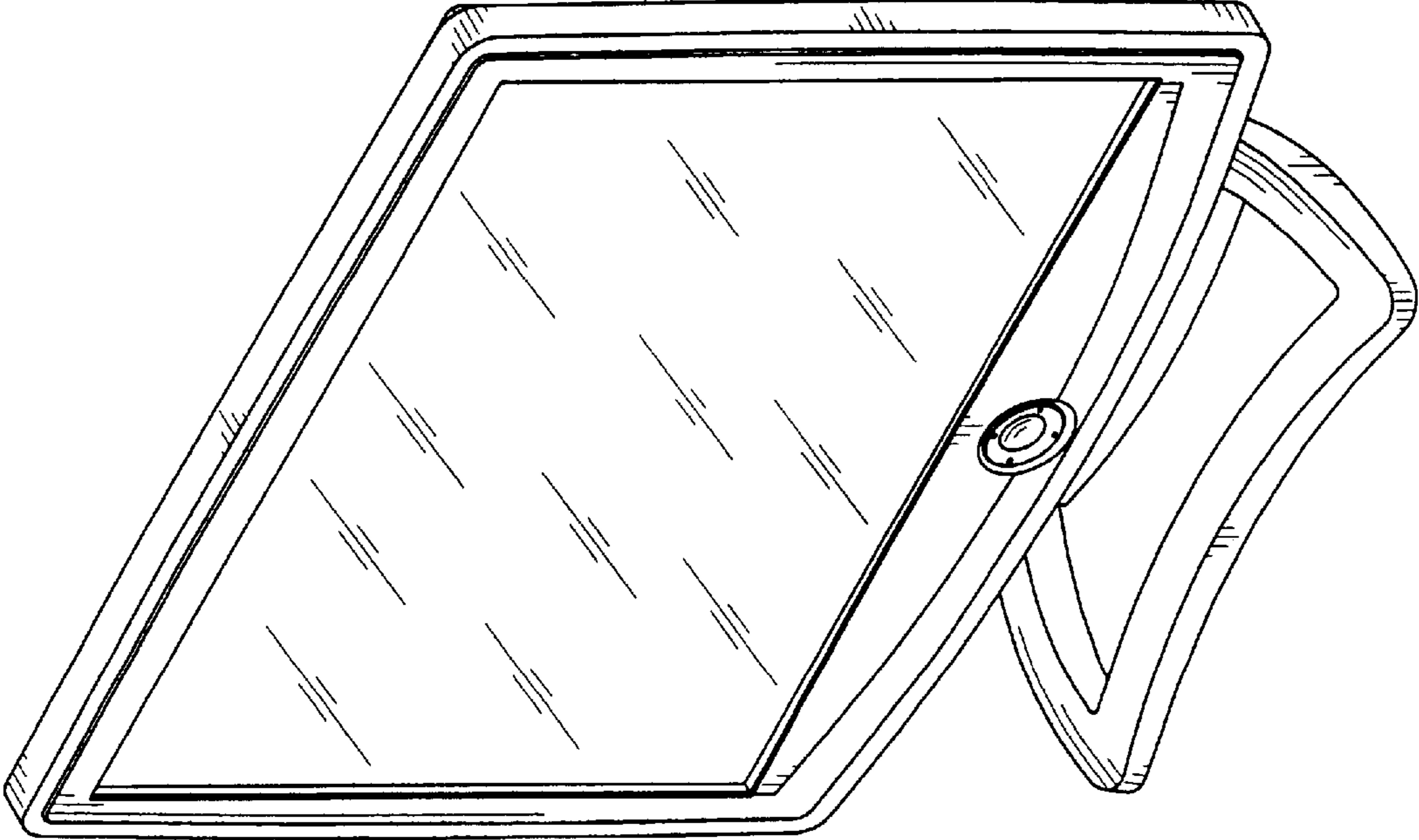


FIG. 1

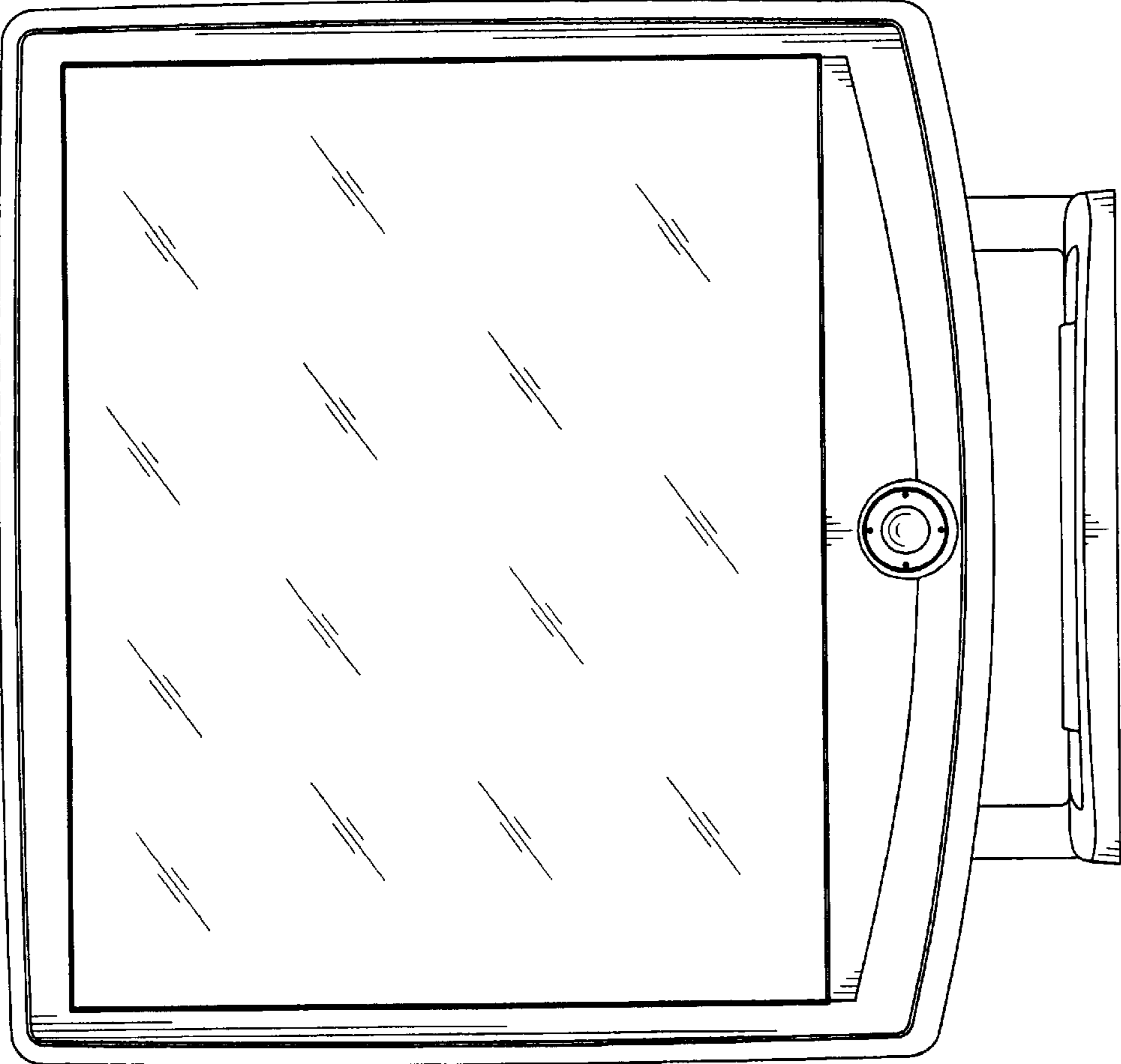


FIG. 2

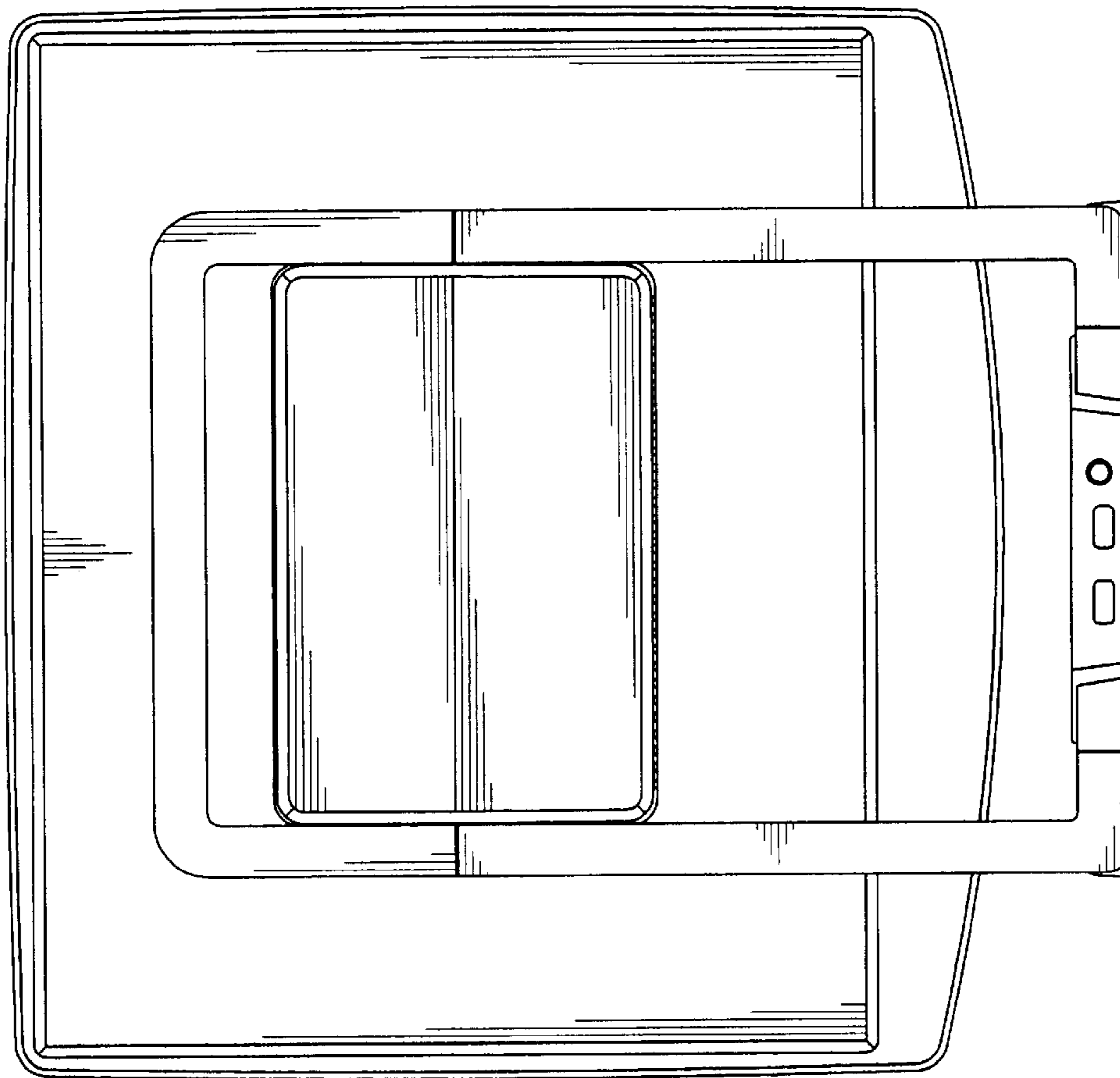


FIG. 3

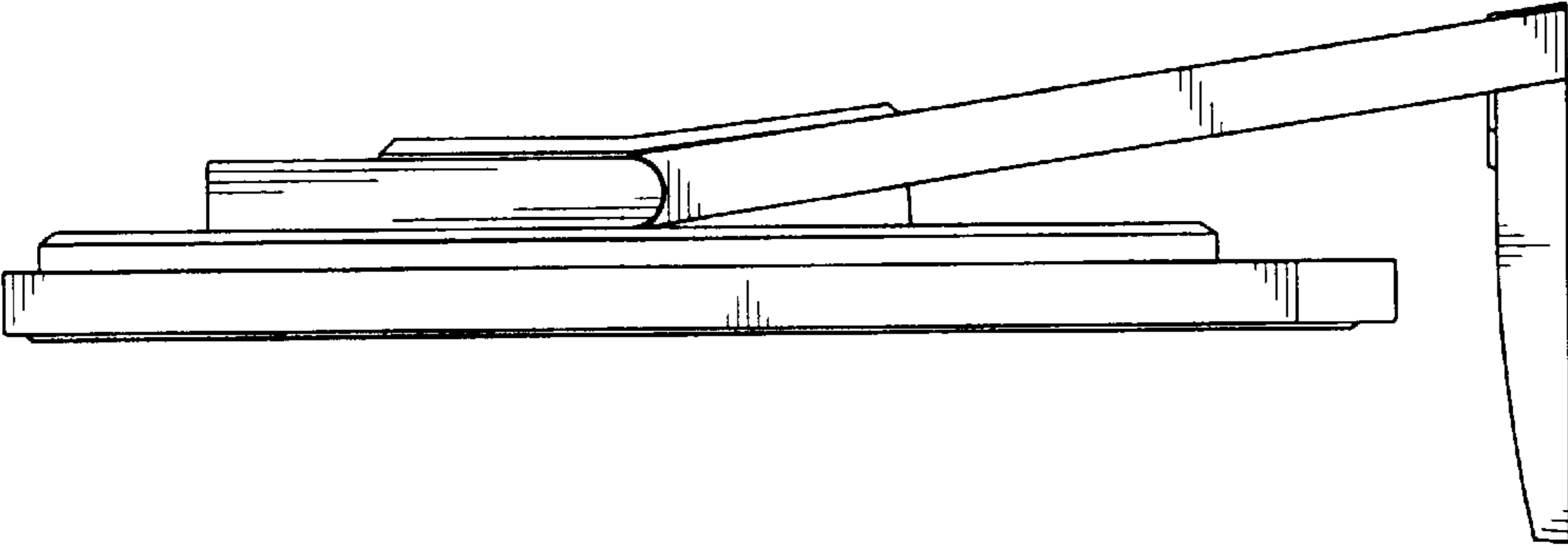


FIG. 5

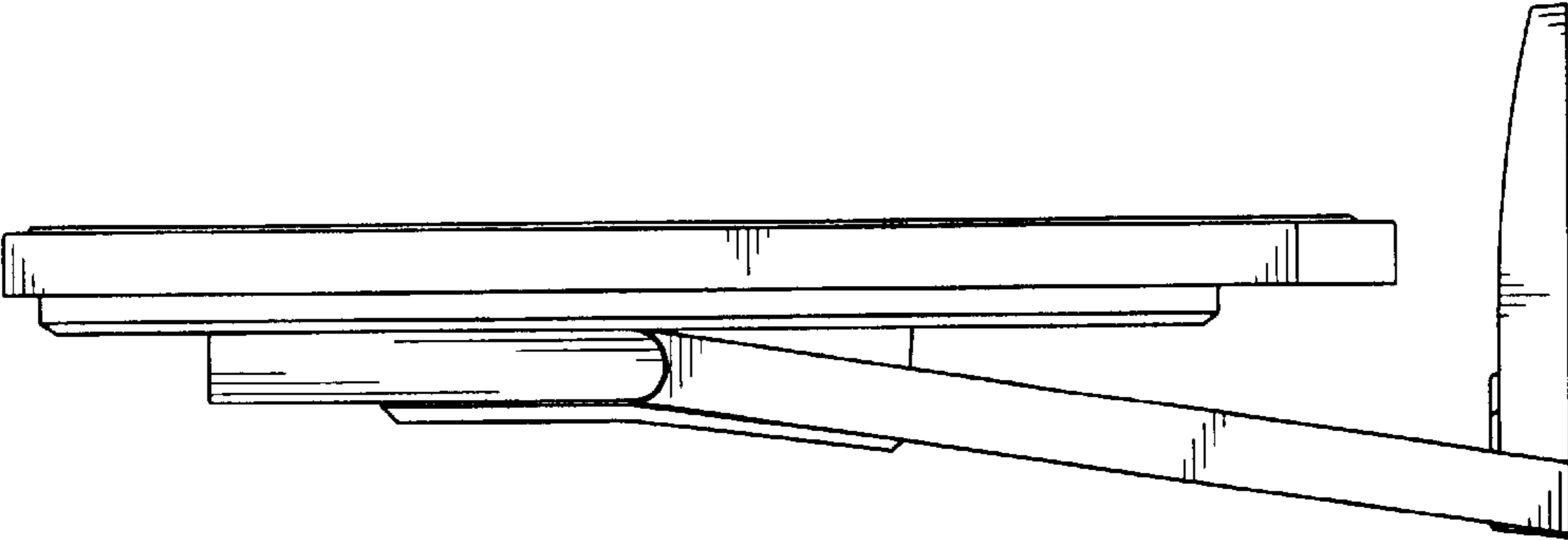


FIG. 4

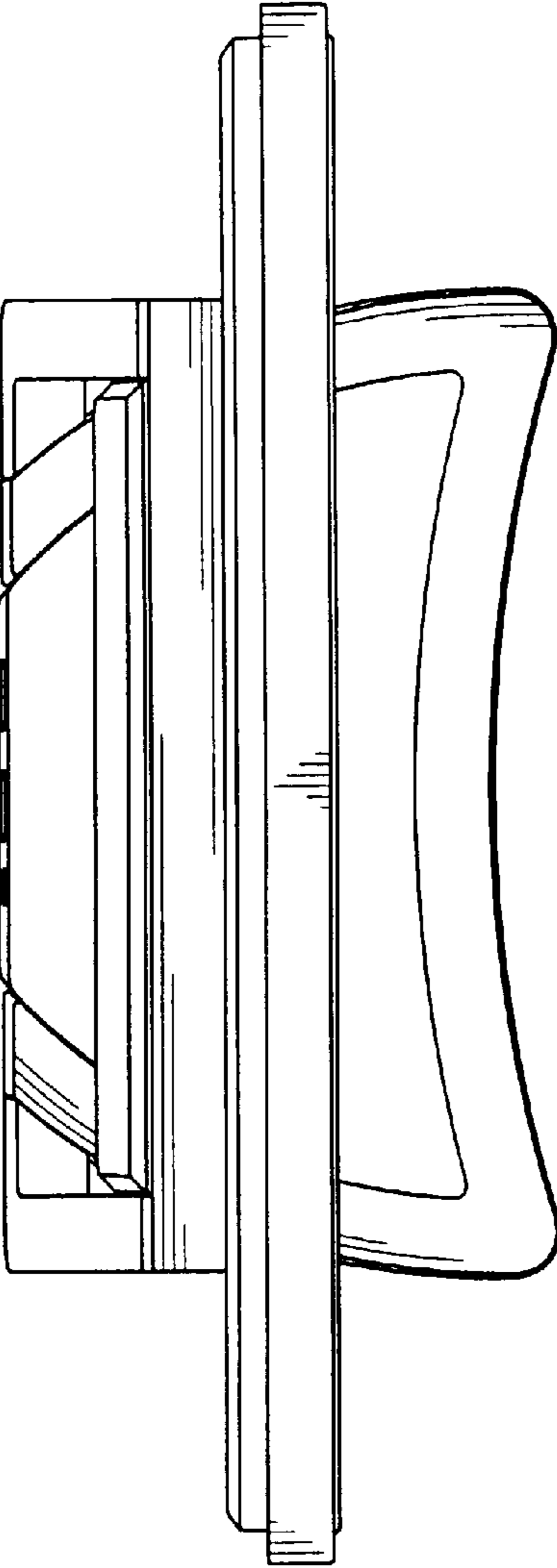


FIG. 6

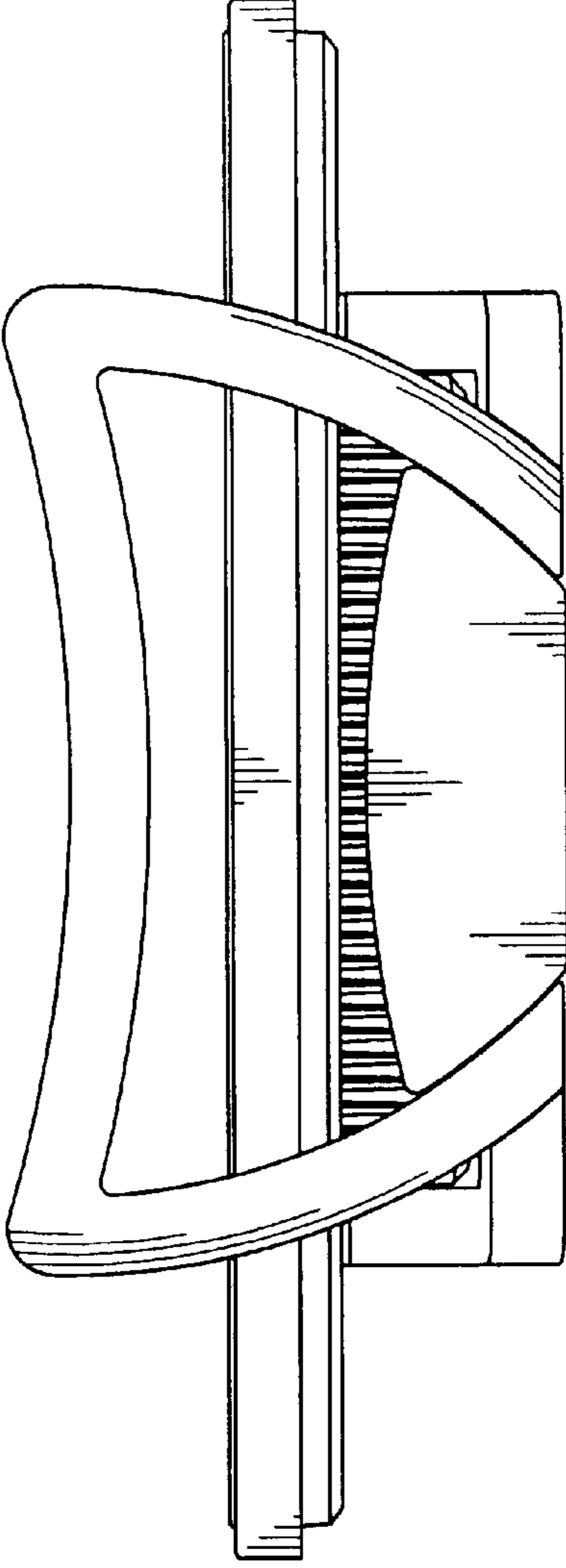


FIG. 7