

US00D514567S

(12) **United States Design Patent**
Huang et al.

(10) **Patent No.: US D514,567 S**

(45) **Date of Patent: ** Feb. 7, 2006**

(54) **LIQUID CRYSTAL DISPLAY**

(75) Inventors: **Che-Min Huang**, Tu-Chen (TW);
Fu-Min Wang, Tu-Chen (TW);
Jing-Renn Yu, Tu-Chen (TW);
Chao-Chi Chang, Tu-Chen (TW);
Meng-Tse Tsai, Tu-Chen (TW)

(73) Assignee: **Hon Hai Precision Ind. Co., Ltd.**,
Taipei Hsien (TW)

(**) Term: **14 Years**

(21) Appl. No.: **29/213,224**

(22) Filed: **Sep. 14, 2004**

(30) **Foreign Application Priority Data**

Jul. 6, 2004 (CN) 200430062965

(51) **LOC (8) Cl. 14-02**

(52) **U.S. Cl. D14/375**

(58) **Field of Classification Search** D14/371-375,
D14/125-129; 345/104, 156, 168, 173, 901-905,
345/87; 341/12; 348/180, 184, 325, 739;
349/1, 2, 11, 62

See application file for complete search history.

(56) **References Cited**

U.S. PATENT DOCUMENTS

D419,977 S	*	2/2000	Chuo	D14/375
D458,256 S	*	6/2002	Liu	D14/375
D458,604 S	*	6/2002	Ma et al.	D14/375
D476,335 S	*	6/2003	Miao et al.	D14/375
D477,319 S	*	7/2003	Duan	D14/375

* cited by examiner

Primary Examiner—Freda S. Nunn

(74) *Attorney, Agent, or Firm*—Wei Te Chung

(57) **CLAIM**

The ornamental design for a liquid crystal display, as shown.

DESCRIPTION

FIG. 1 is a perspective view of a liquid crystal display of our new design;

FIG. 2 is a front elevational view thereof;

FIG. 3 is a rear elevational view thereof;

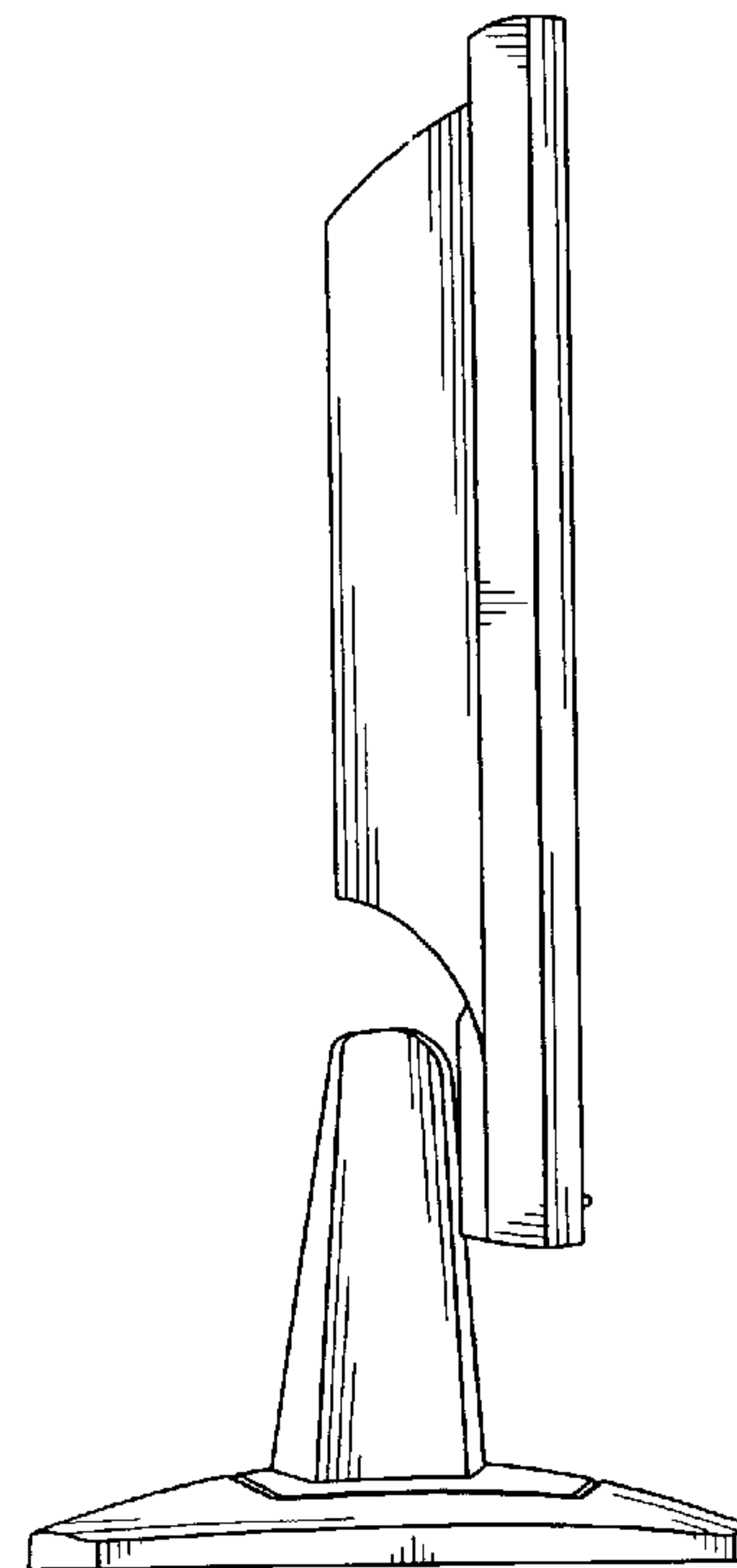
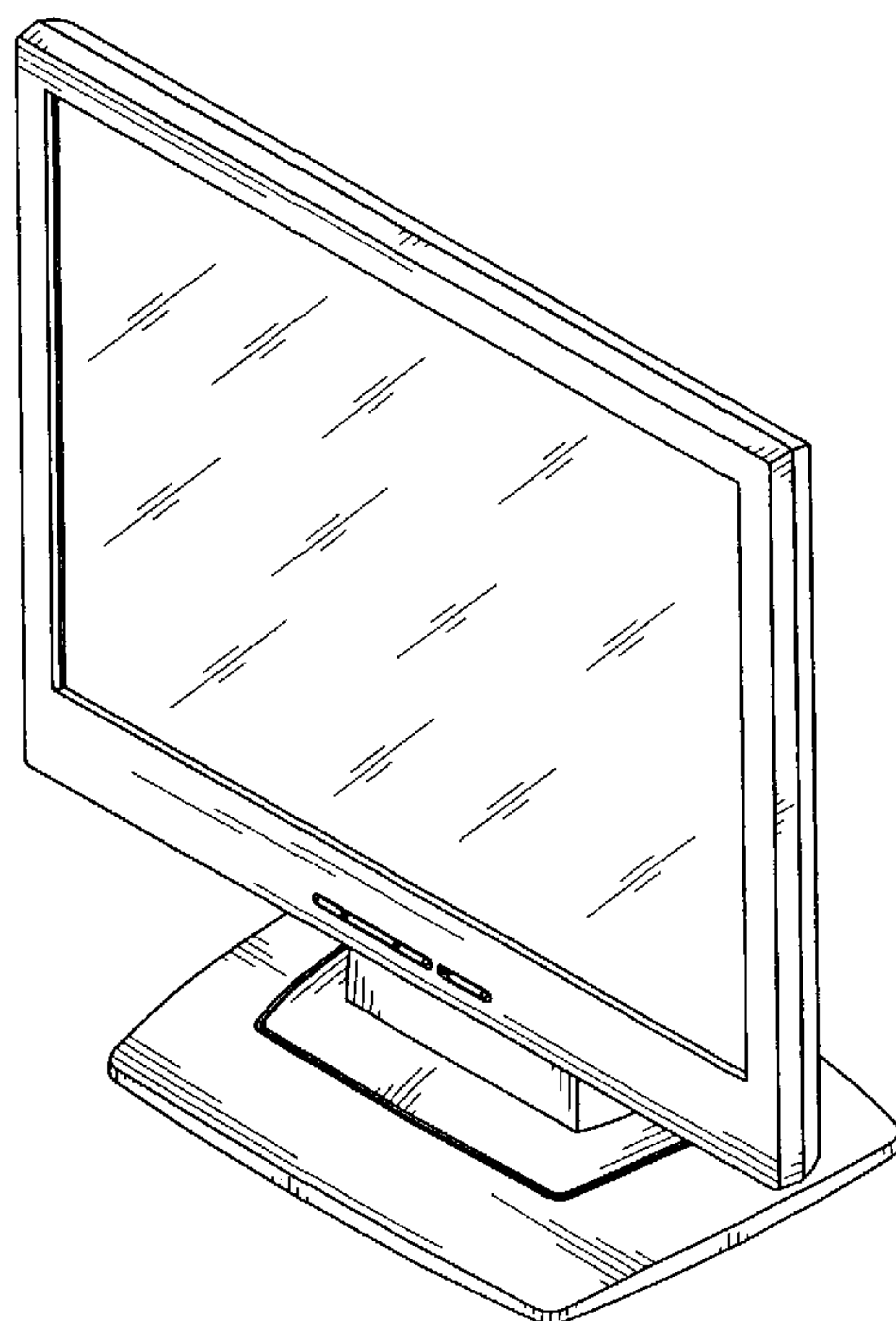
FIG. 4 is a left side elevational view thereof;

FIG. 5 is a right side elevational view thereof;

FIG. 6 is a top plan view thereof; and,

FIG. 7 is a bottom plan view thereof.

1 Claim, 5 Drawing Sheets



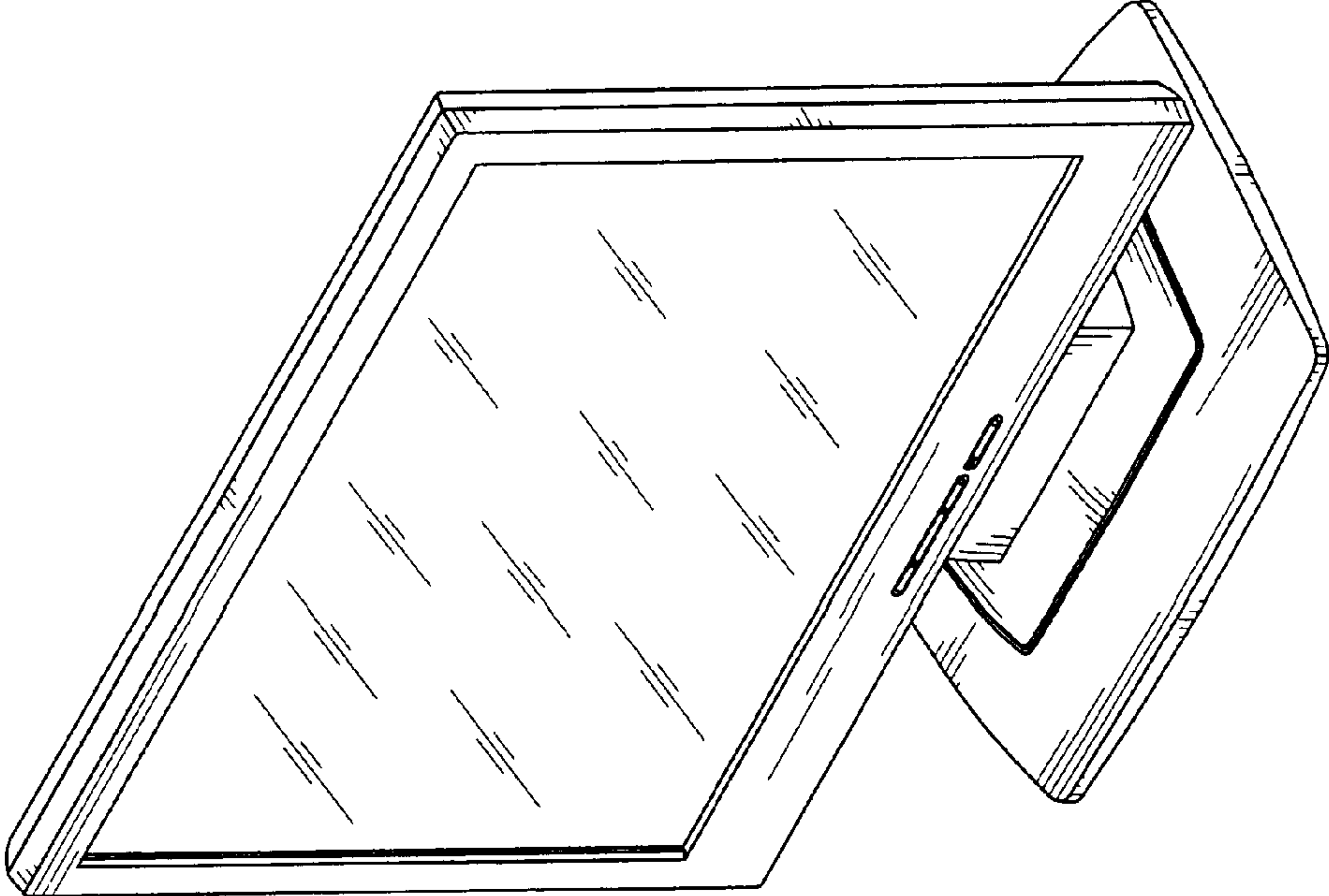


FIG. 1

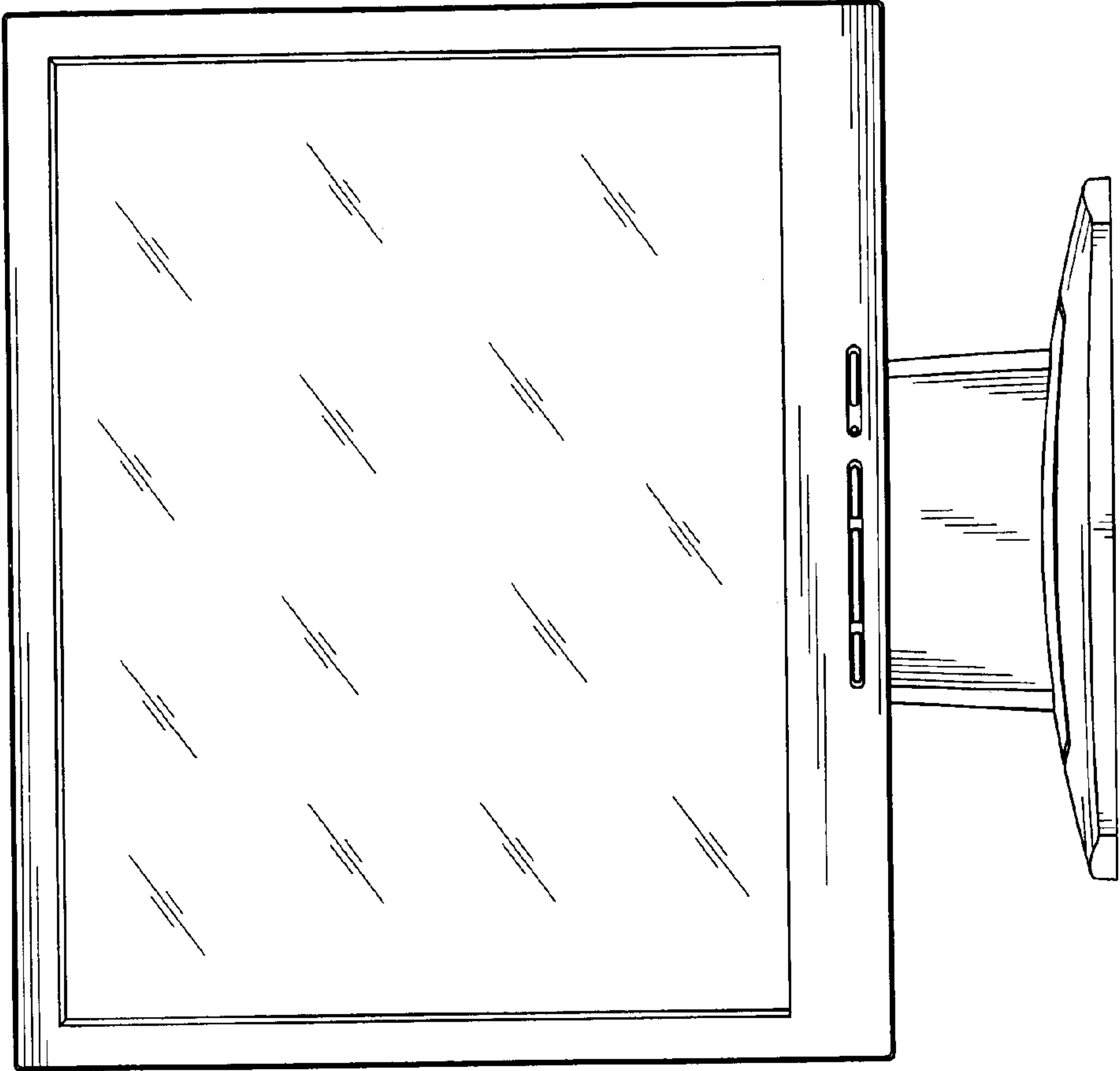


FIG. 2

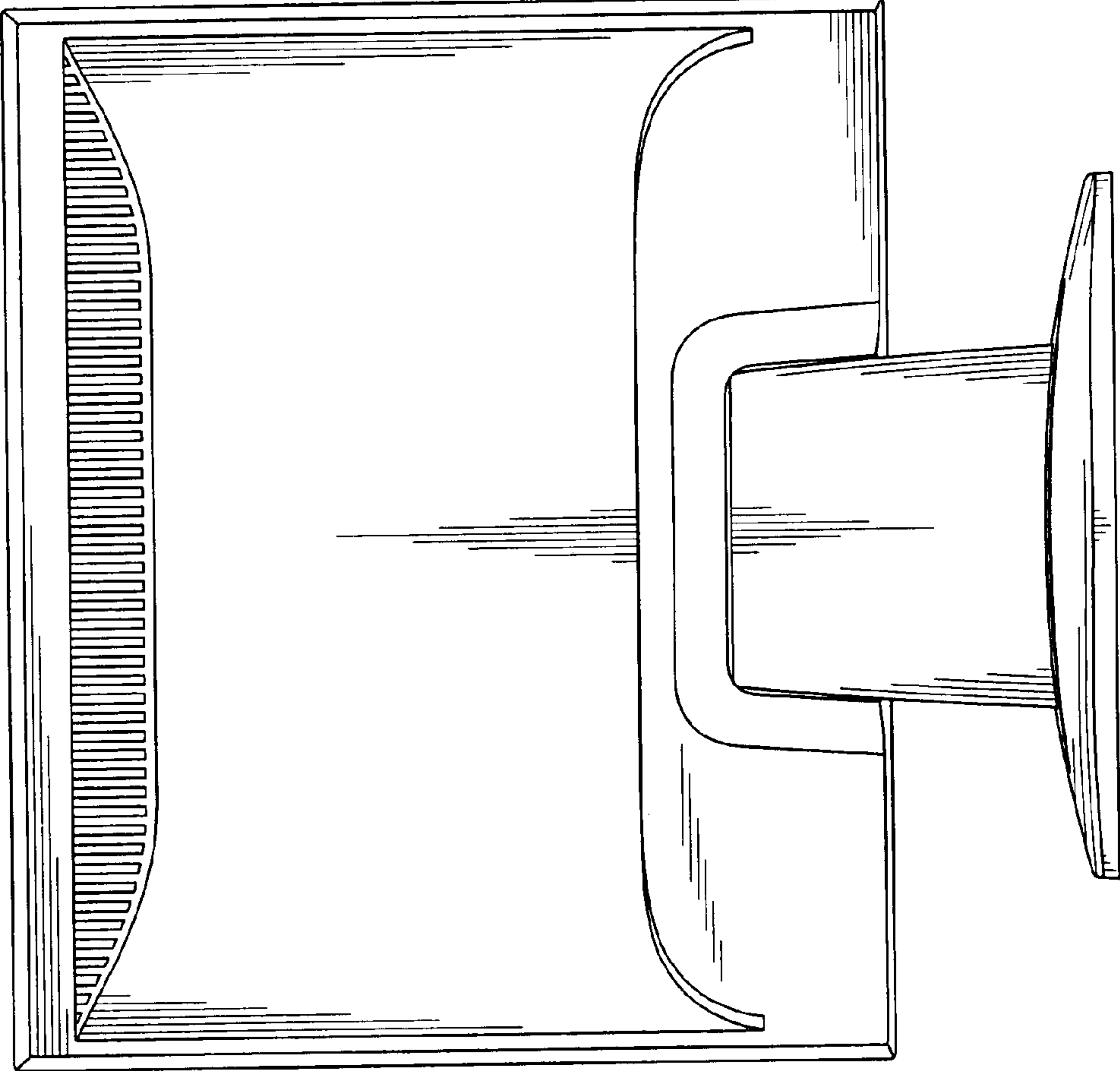


FIG. 3

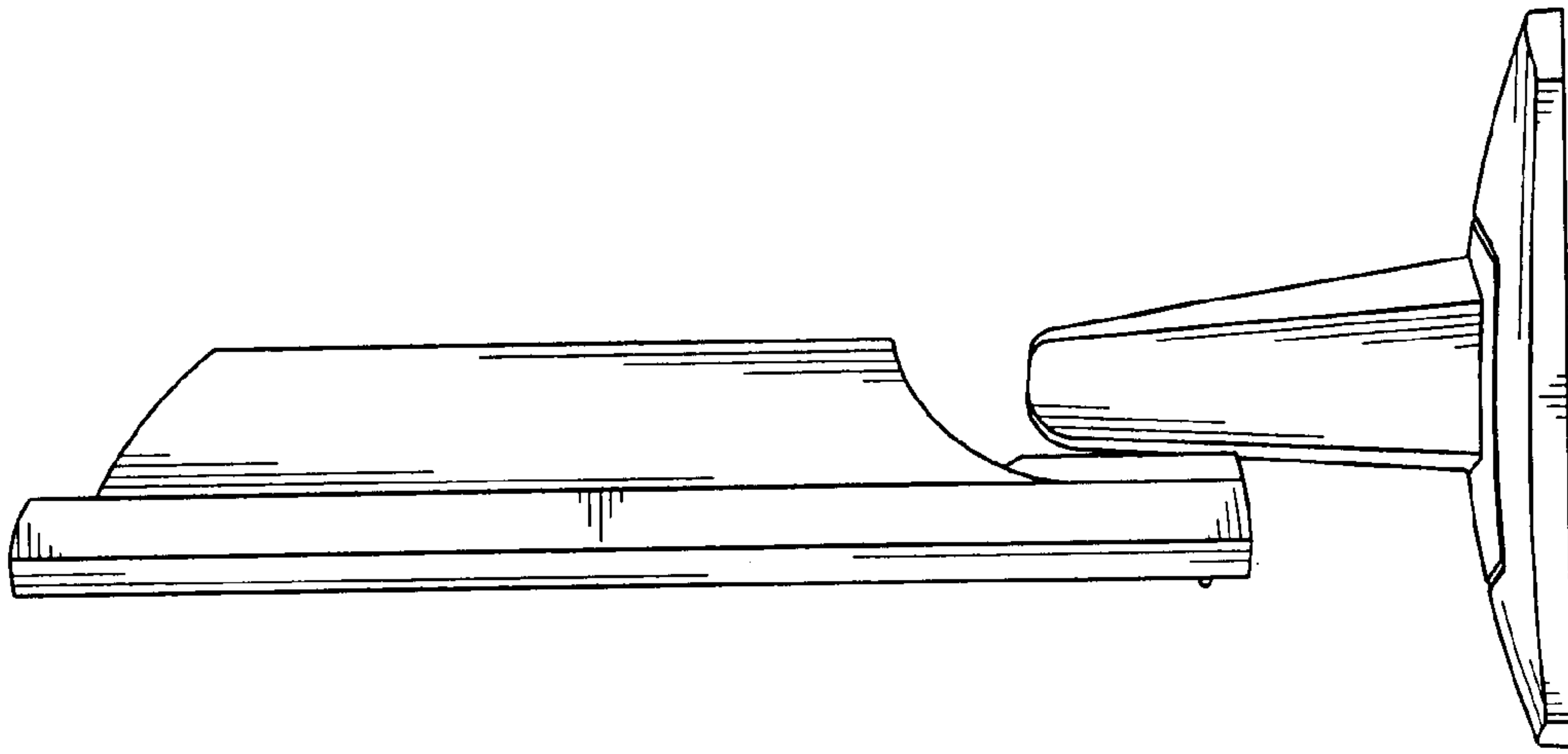


FIG. 5

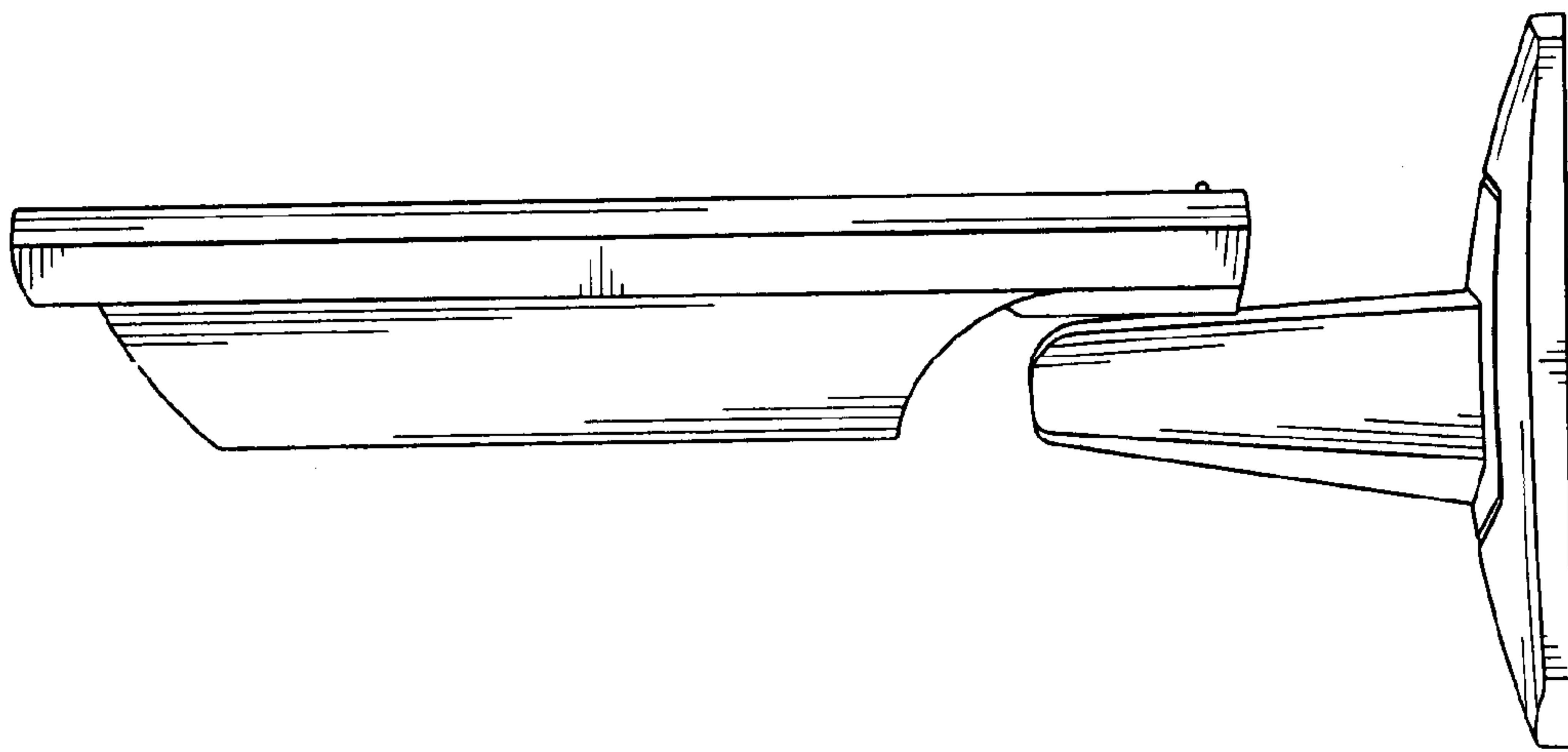


FIG. 4

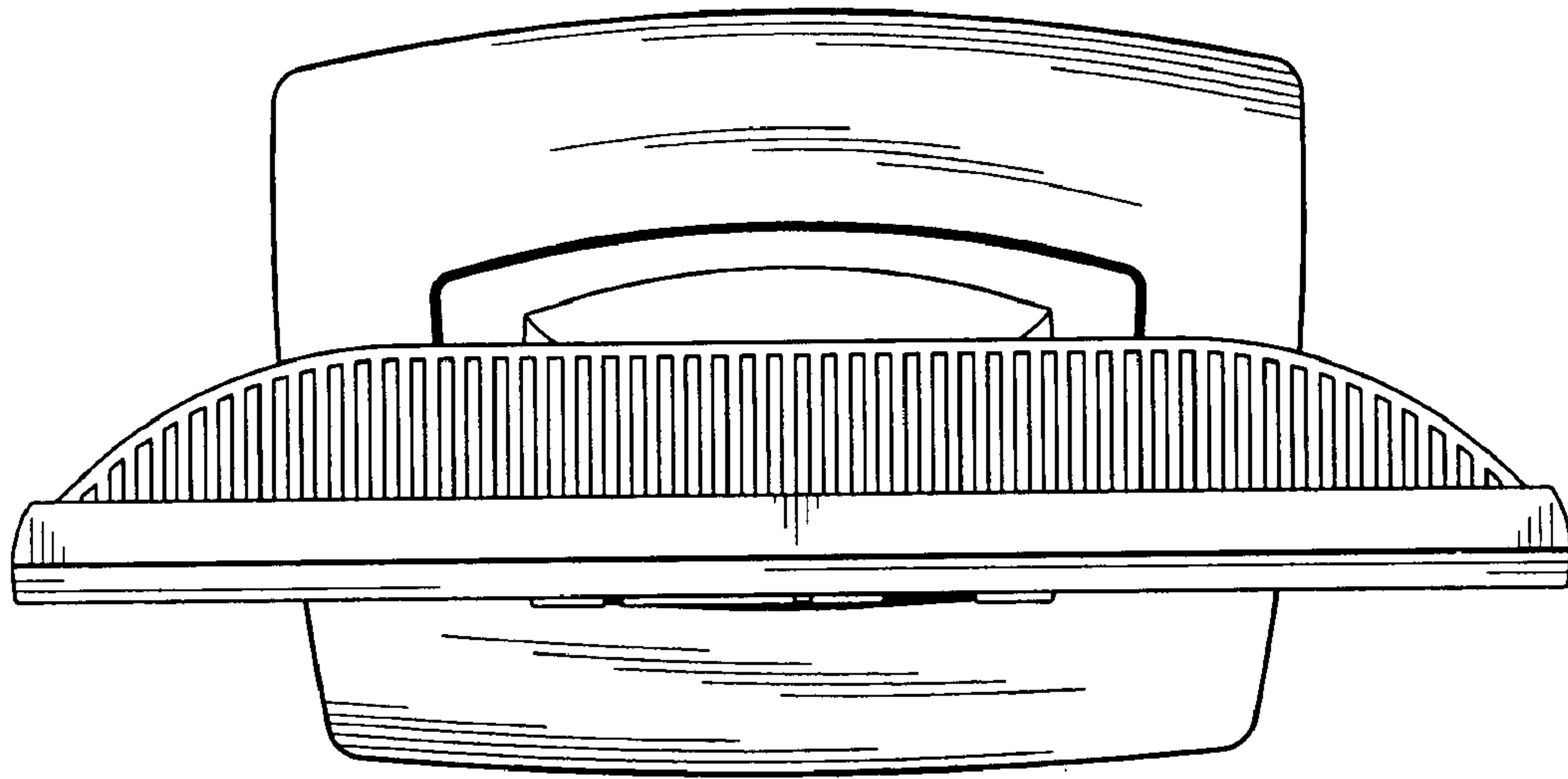


FIG. 6

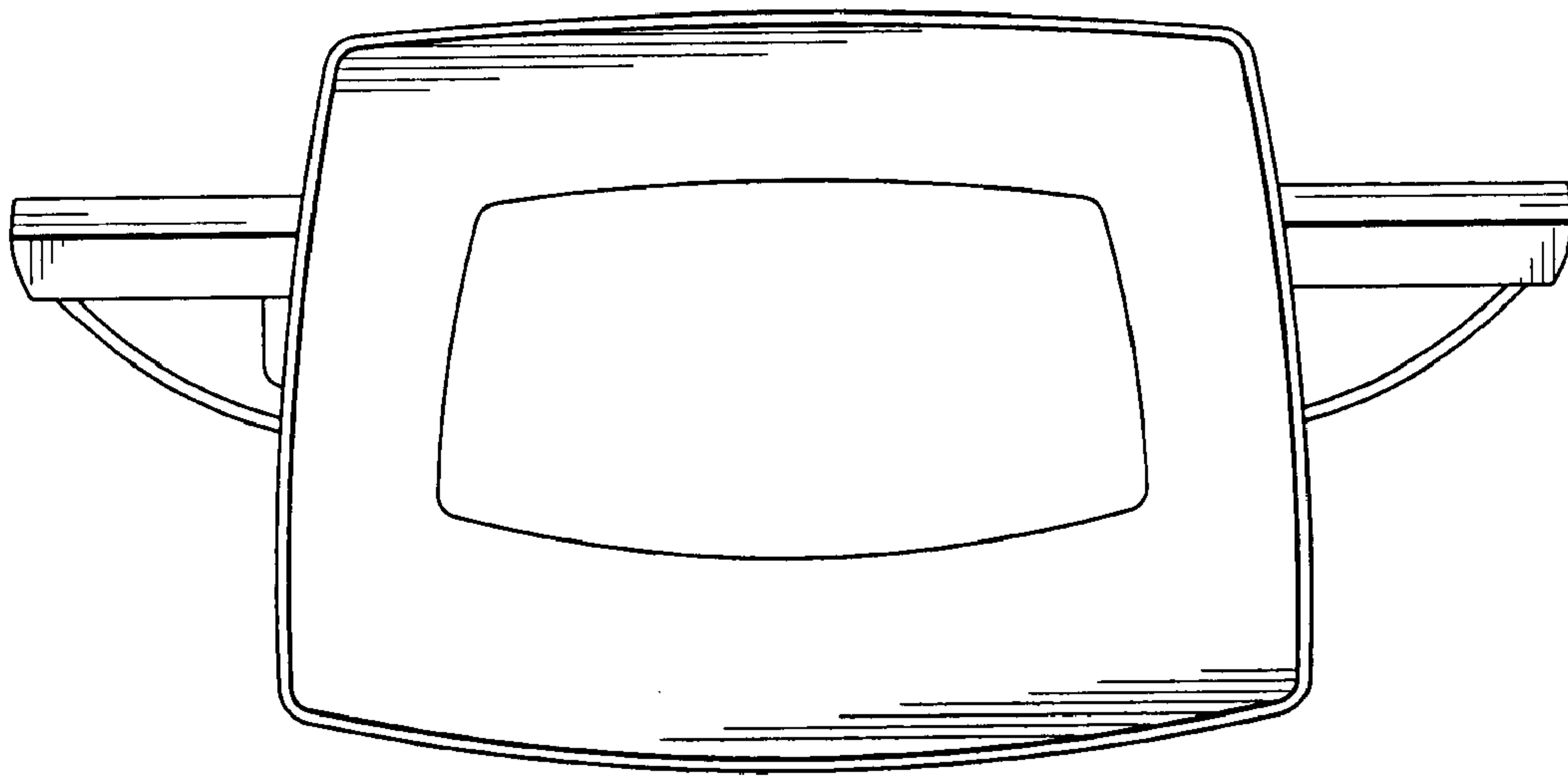


FIG. 7